

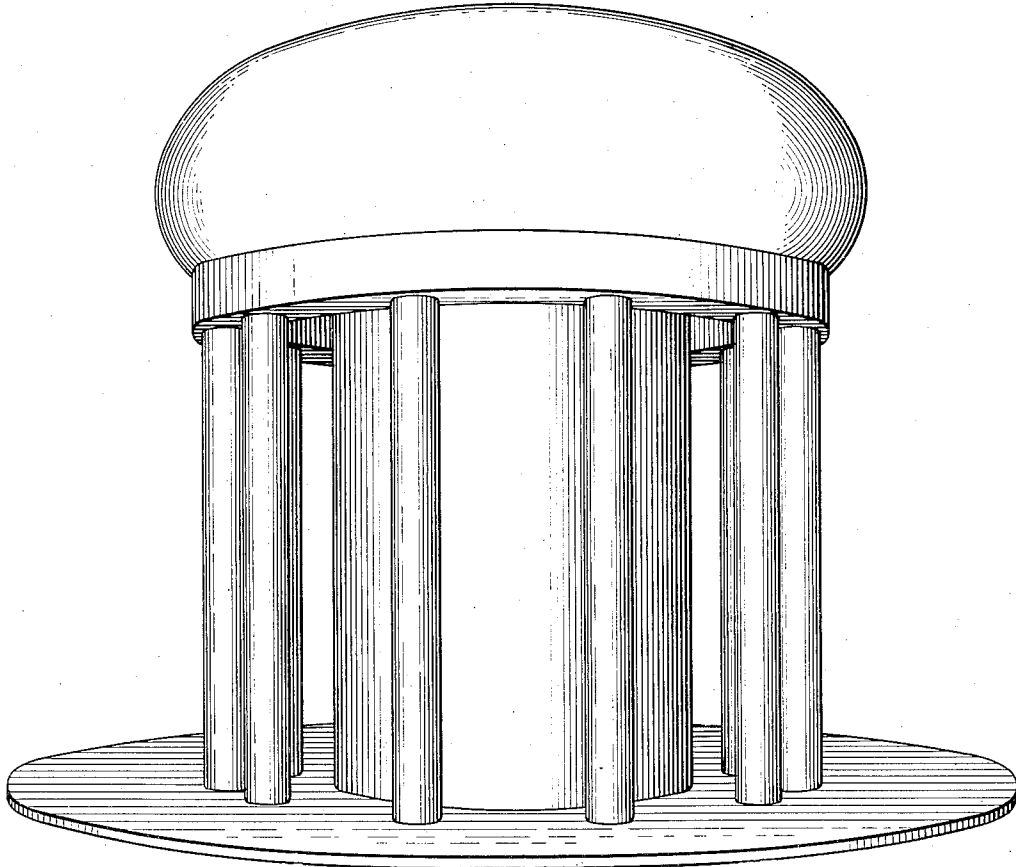
Sept. 13, 1938.

G. T. HORTON

Des. 111,257

ELEVATED TANK

Filed July 13, 1938



Inventor:
George T. Horton,
By Swaiter, Wiley, Davis, Kivvick & Mueson,
Attys

Patented Sept. 13, 1938

Des. 111,257

UNITED STATES PATENT OFFICE

111,257

DESIGN FOR AN ELEVATED TANK

George T. Horton, Chicago, Ill., assignor to Chicago Bridge & Iron Company, a corporation of Illinois

Application July 13, 1938, Serial No. 78,451

Term of patent 14 years

To all whom it may concern:

Be it known that I, George T. Horton, a citizen of the United States, residing at Chicago, in the county of Cook and State of Illinois, have invented a new, original, and ornamental Design for an Elevated Tank, of which the following is a specification, reference being had to the accompanying drawing forming a part thereof, in which:

The figure is a perspective view of an elevated tank, showing my new design.

I claim:

The ornamental design for an elevated tank, as shown.

GEORGE T. HORTON.