



US00D493462S1

(12) **United States Design Patent**  
**Wang**

(10) **Patent No.:** **US D493,462 S**

(45) **Date of Patent:** **\*\* Jul. 27, 2004**

(54) **DRIVE**

(75) **Inventor:** **Ko-Chun Wang, Hsinchu (TW)**

(73) **Assignee:** **Actima Technology Corporation, Hsinchu (TW)**

(\*\*) **Term:** **14 Years**

(21) **Appl. No.:** **29/181,478**

(22) **Filed:** **May 13, 2003**

(51) **LOC (7) Cl.** ..... **14-02**

(52) **U.S. Cl.** ..... **D14/366**

(58) **Field of Search** ..... D14/301, 348,  
D14/356-368; D13/162, 184, 199; 360/99.01-99.12,  
133; 361/680-686, 690-696

(56) **References Cited**

**U.S. PATENT DOCUMENTS**

3,899,794 A \* 8/1975 Brown, Jr. .... 360/133  
D358,141 S \* 5/1995 Pecone et al. .... D14/367

D372,022 S \* 7/1996 Sawada et al. .... D14/366  
D382,863 S \* 8/1997 Horiuchi et al. .... D14/366  
D455,422 S \* 4/2002 Bath ..... D14/301

\* cited by examiner

*Primary Examiner*—Freda S. Nunn

(74) *Attorney, Agent, or Firm*—Irah H. Donner; Hale and Dorr LLP

(57) **CLAIM**

The ornamental design for a drive, as shown and described.

**DESCRIPTION**

FIG. 1 is a perspective view of a drive showing our new design;

FIG. 2 is a front view thereof;

FIG. 3 is a rear view thereof;

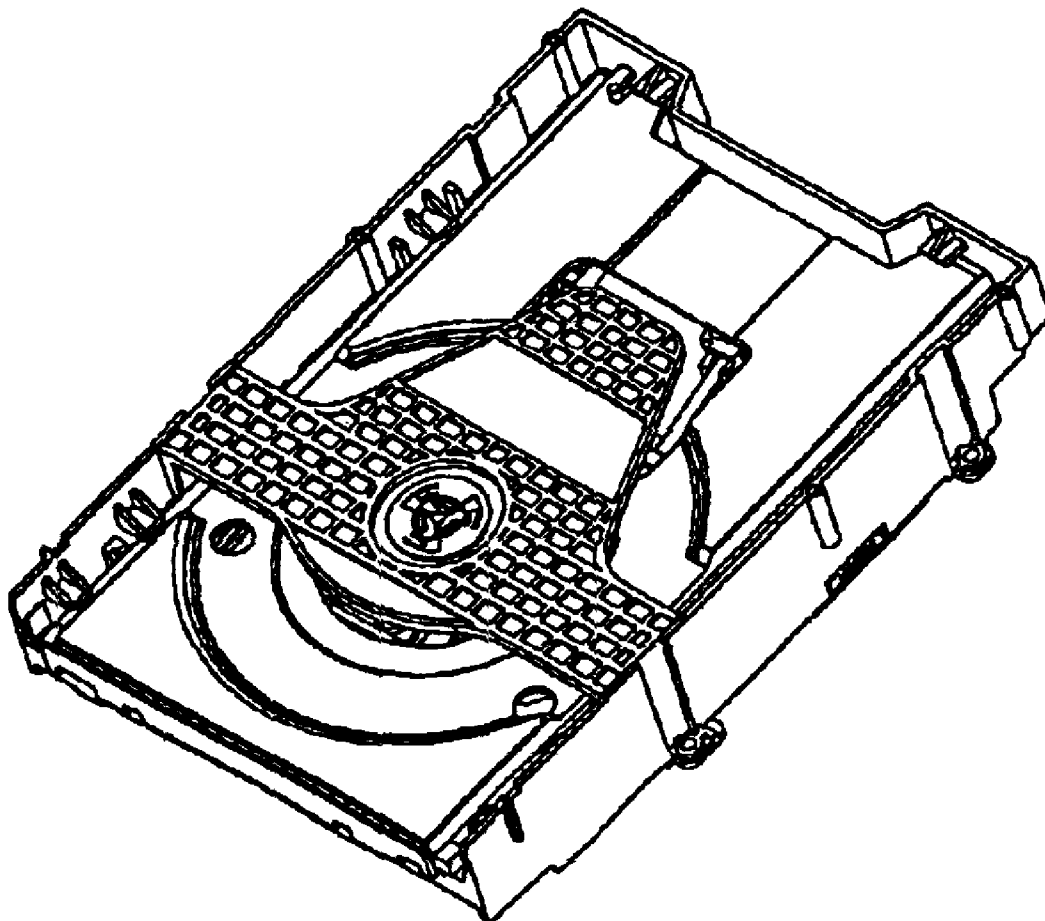
FIG. 4 is a left side view thereof;

FIG. 5 is a right side view thereof;

FIG. 6 is a top plan view thereof; and,

FIG. 7 is a bottom plan view thereof.

**1 Claim, 4 Drawing Sheets**



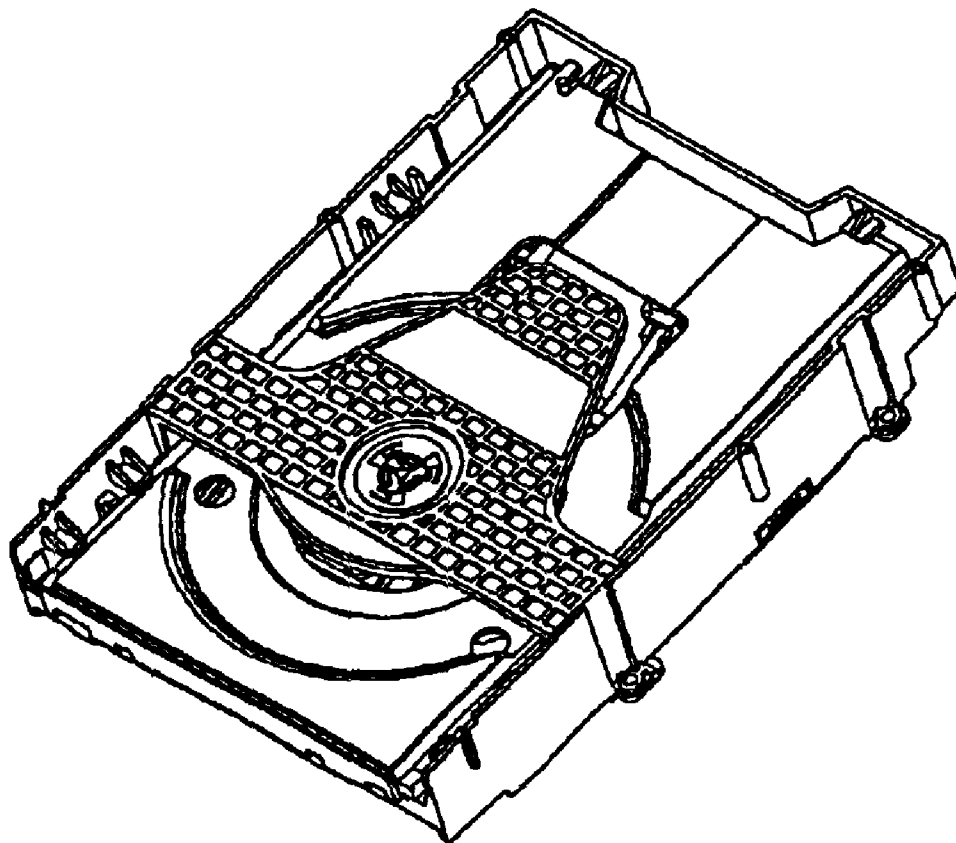


FIG. 1



FIG. 2



FIG. 3

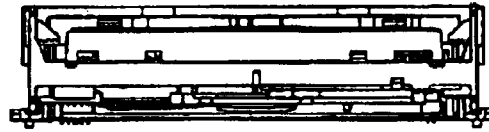


FIG. 4

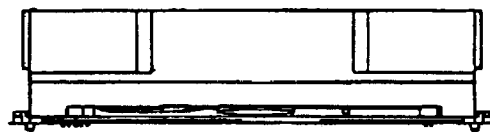


FIG. 5

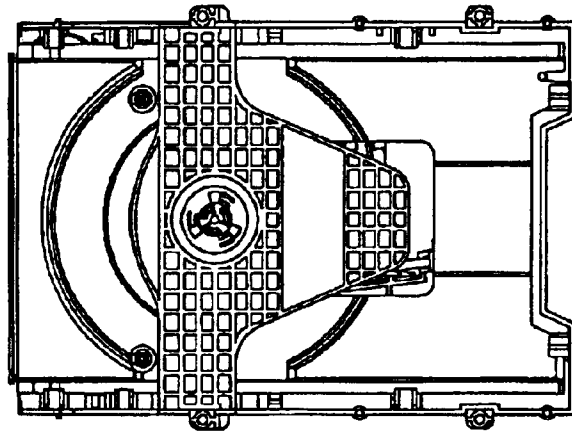


FIG. 6

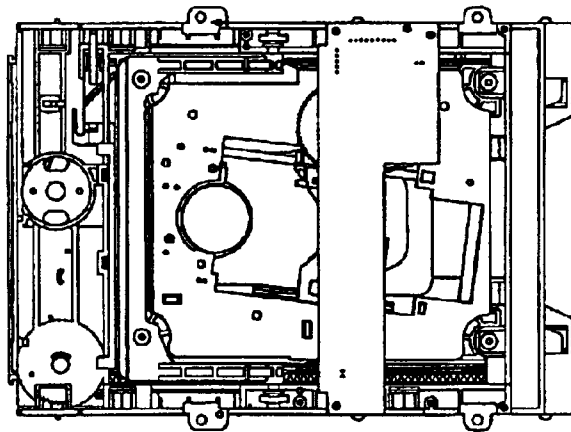


FIG. 7