



US00D830748S

(12) **United States Design Patent**
Lin

(10) **Patent No.:** **US D830,748 S**

(45) **Date of Patent:** **** Oct. 16, 2018**

(54) **DESK STAND**

(71) Applicants: **Yi-Chen Tseng**, Taichung (TW);
HI-MAX INNOVATION CO., LTD.,
Taichung (TW)

(72) Inventor: **Jhjh-Fan Lin**, Taichung (TW)

(73) Assignees: **Hi-Max Innovation Co., Ltd.**,
Taichung (TW); **Yi-Chen Tseng**,
Taichung (TW)

(**) Term: **15 Years**

(21) Appl. No.: **29/607,769**

(22) Filed: **Jun. 16, 2017**

(51) **LOC (11) Cl.** **06-03**

(52) **U.S. Cl.**
USPC **D6/708; D6/648**

(58) **Field of Classification Search**
USPC D6/641, 642, 648, 648.1, 648.2, 648.3,
D6/648.4, 649, 653, 655, 655.11, 655.13,
D6/656, 656.15, 699, 708, 708.16,
D6/708.17, 709, 709.2, 710
CPC A47B 7/00; A47B 13/08; A47B 13/10;
A47B 21/00; A47B 2009/006; A47B
11/00; A47B 2200/002; A47B 3/14; A47B
83/02; A47B 37/04; A47B 2200/0051;
A47B 2200/0052; A47B 2200/0053;
A47B 2200/0054; A47B 2200/0055;
A47B 21/02; G07C 3/005
See application file for complete search history.

(56) **References Cited**

U.S. PATENT DOCUMENTS

D233,382 S * 10/1974 Mondragon D6/691.8
D243,222 S * 2/1977 Lopez D6/691
D278,959 S * 5/1985 Berry, Jr. D6/691
D325,140 S * 4/1992 Sottsass D6/692.5

D471,386 S * 3/2003 O'Hare D6/691.1
D477,931 S * 8/2003 Chang D6/655.19
D484,337 S * 12/2003 Risdon D6/708
D493,052 S * 7/2004 Ciabatti D6/691.6
D501,339 S * 2/2005 Lai D6/691
D505,567 S * 5/2005 Chang D6/655.15
D506,887 S * 7/2005 McDiarmid D6/648.1
D527,550 S * 9/2006 Sexton D6/648.1
7,111,564 B2 * 9/2006 Chang A47B 13/06
108/155
D549,009 S * 8/2007 Lin D6/648.4
D557,521 S * 12/2007 Good D6/691.1
D569,126 S * 5/2008 Sexton D6/655.22
D569,132 S * 5/2008 Sexton D6/656.18
D573,366 S * 7/2008 Sexton D6/648
D575,550 S * 8/2008 Chang D6/655.22
D580,684 S * 11/2008 Sexton D6/648

(Continued)

Primary Examiner — Mary Ann Calabrese

Assistant Examiner — Sloan Rozin

(74) *Attorney, Agent, or Firm* — Wang Law Firm, Inc.

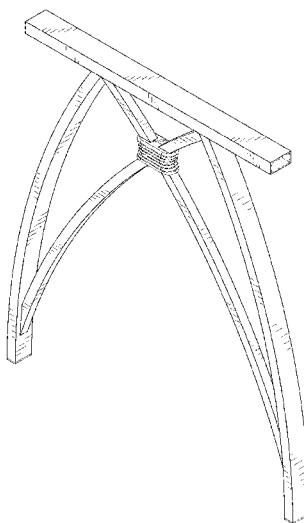
(57) **CLAIM**

The ornamental design for a desk stand, as shown.

DESCRIPTION

FIG. 1 is a perspective view of a desk stand in accordance with the present invention;
FIG. 2 is a front view thereof;
FIG. 3 is a rear view thereof;
FIG. 4 is a left view thereof;
FIG. 5 is a right view thereof;
FIG. 6 is a top view thereof;
FIG. 7 is a bottom view thereof;
FIG. 8 is a perspective view, showing the desk stand in a manner of use;
FIG. 9 is another perspective view, showing the desk stand in a manner of use; and,
FIG. 10 is another perspective view, showing the desk stand in a manner of use.

1 Claim, 8 Drawing Sheets



(56)

References Cited

U.S. PATENT DOCUMENTS

D583,587	S	*	12/2008	Lai	D6/655.19
D586,150	S	*	2/2009	Lai	D6/655.19
D586,588	S	*	2/2009	Lai	D6/655.22
D592,892	S	*	5/2009	Sexton	D6/691
D598,676	S	*	8/2009	Sexton	D6/648
D616,674	S	*	6/2010	Sexton	D6/656.18
D617,116	S	*	6/2010	Sexton	D6/648.4
D618,011	S	*	6/2010	Sexton	D6/653.22
D627,991	S	*	11/2010	Sexton	D6/656.18
D633,734	S	*	3/2011	Sexton	D6/709

* cited by examiner

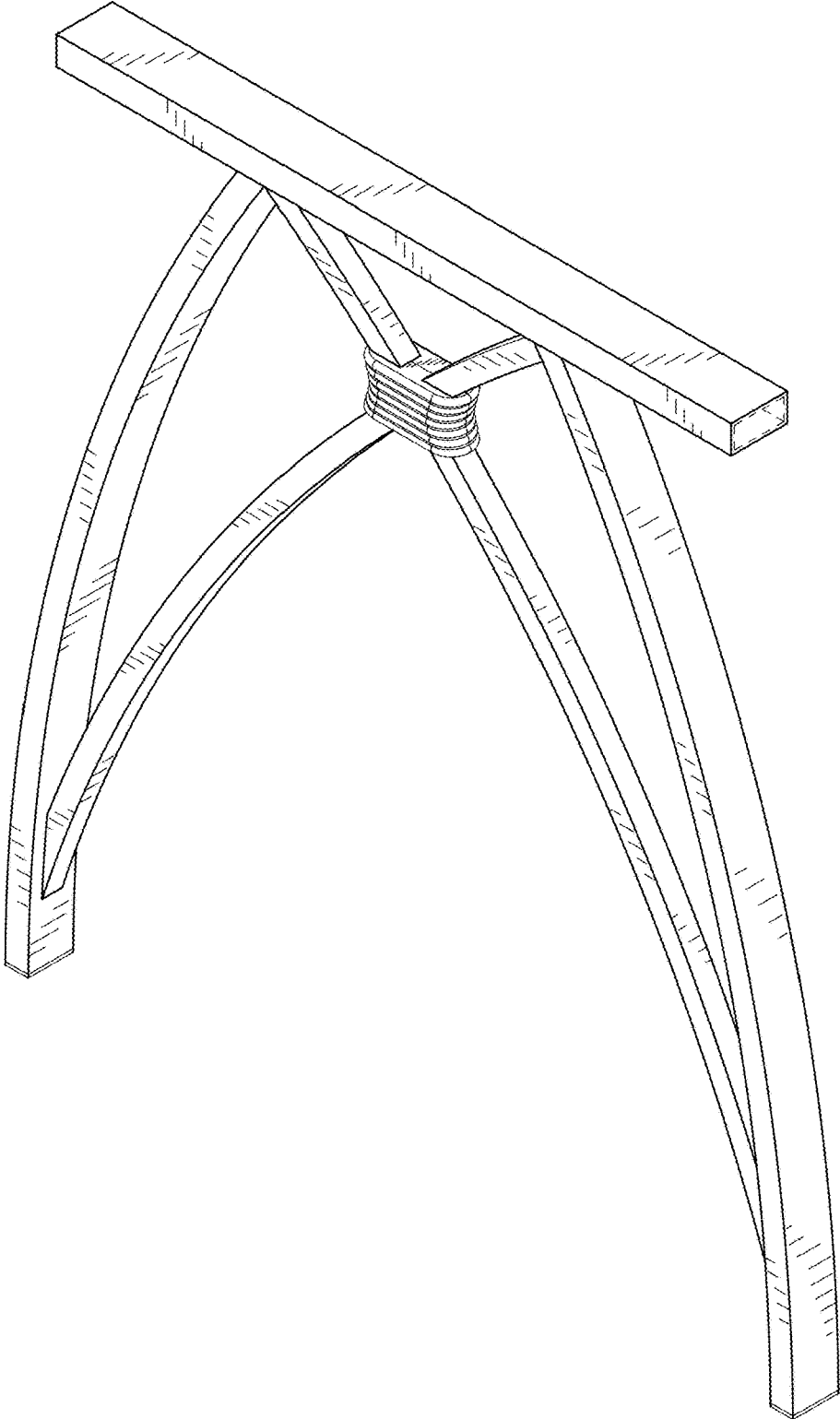


FIG. 1

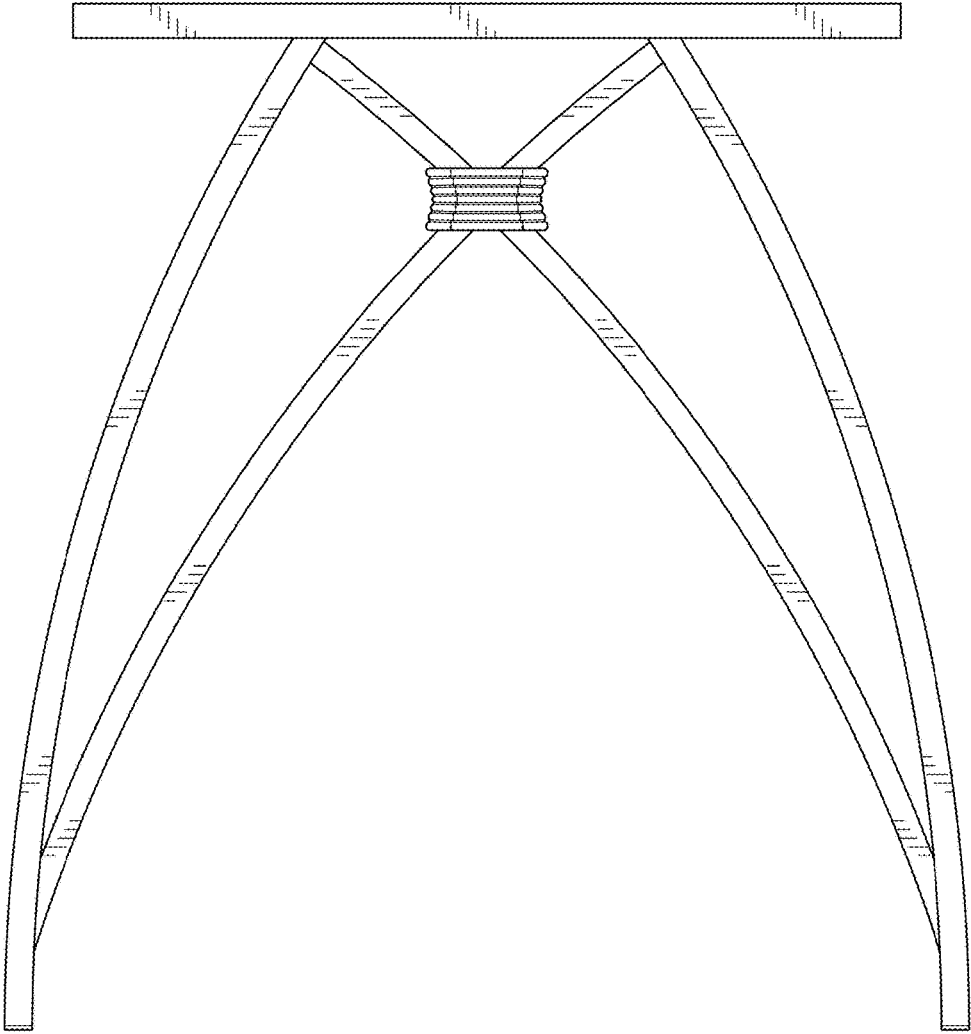


FIG.2

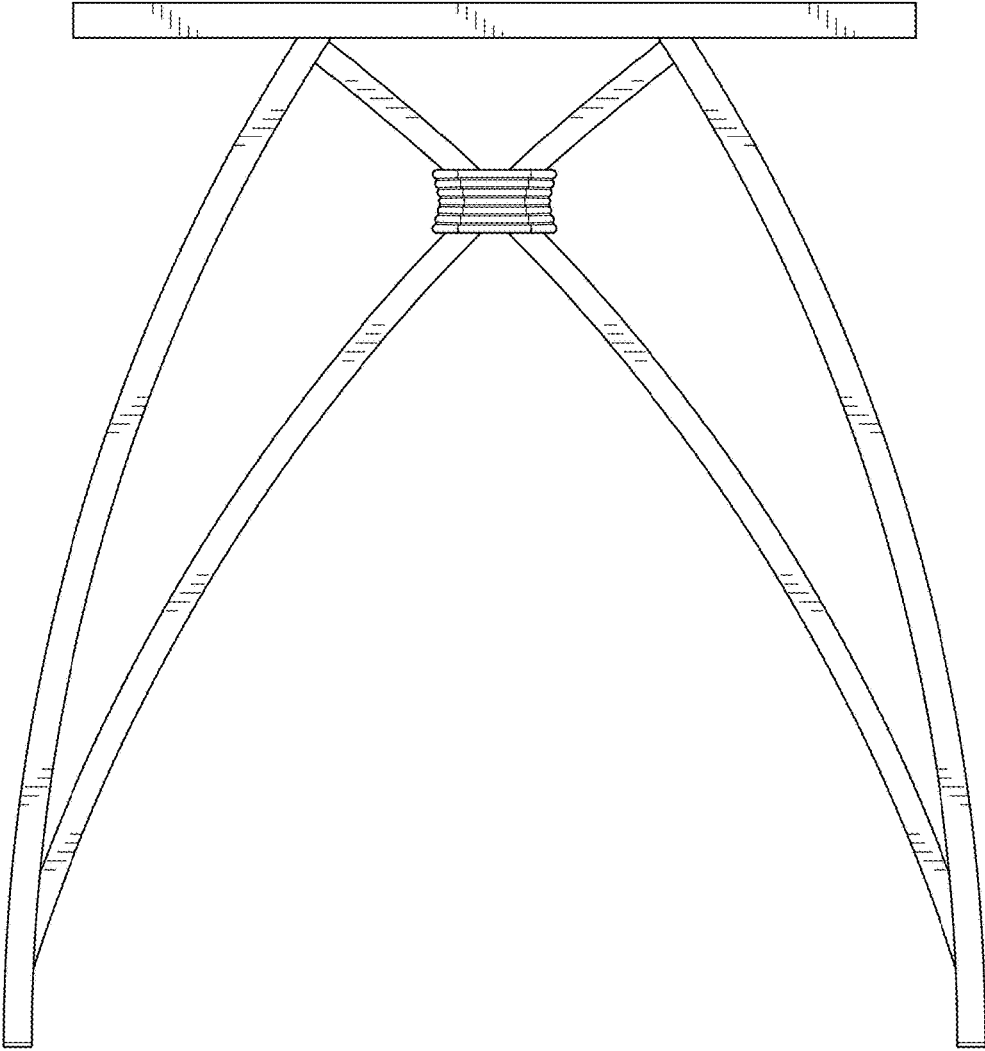


FIG.3



FIG.4

FIG.5



FIG. 6

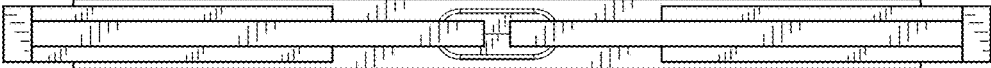


FIG. 7

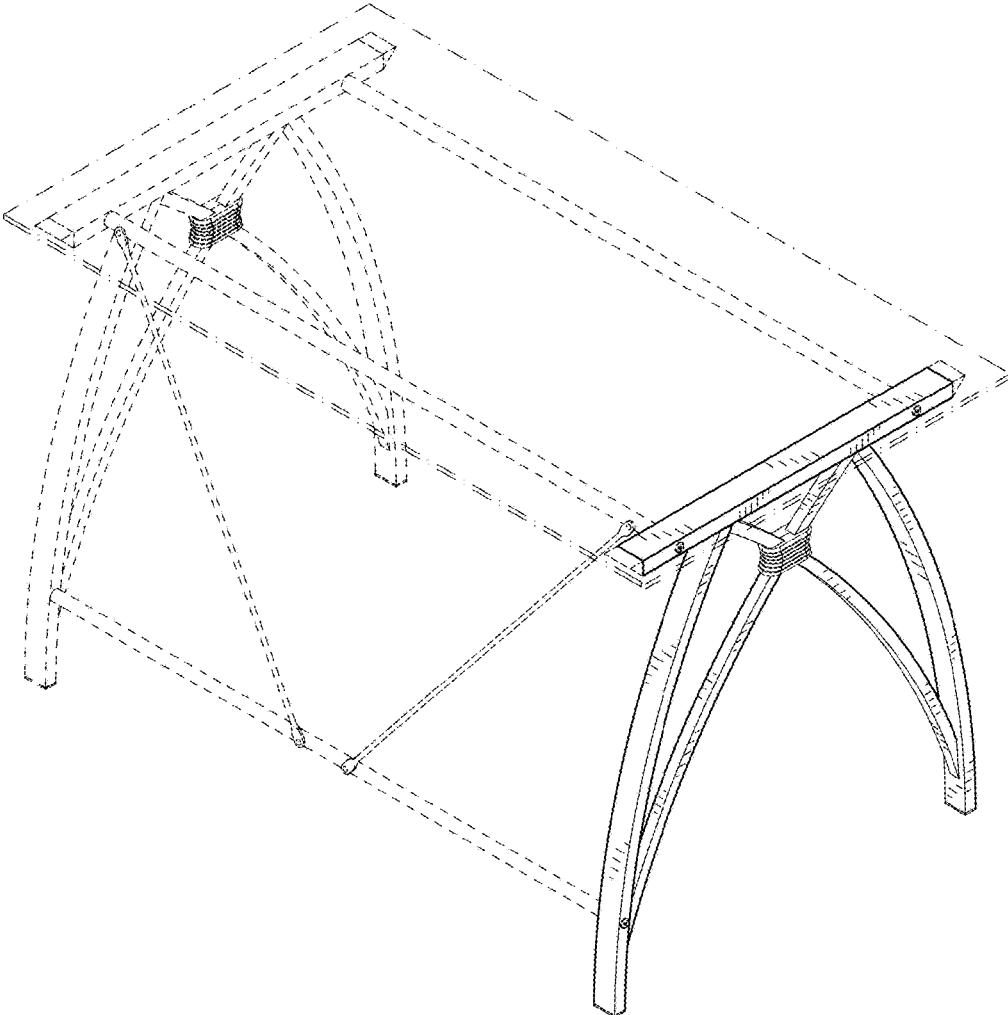


FIG. 8

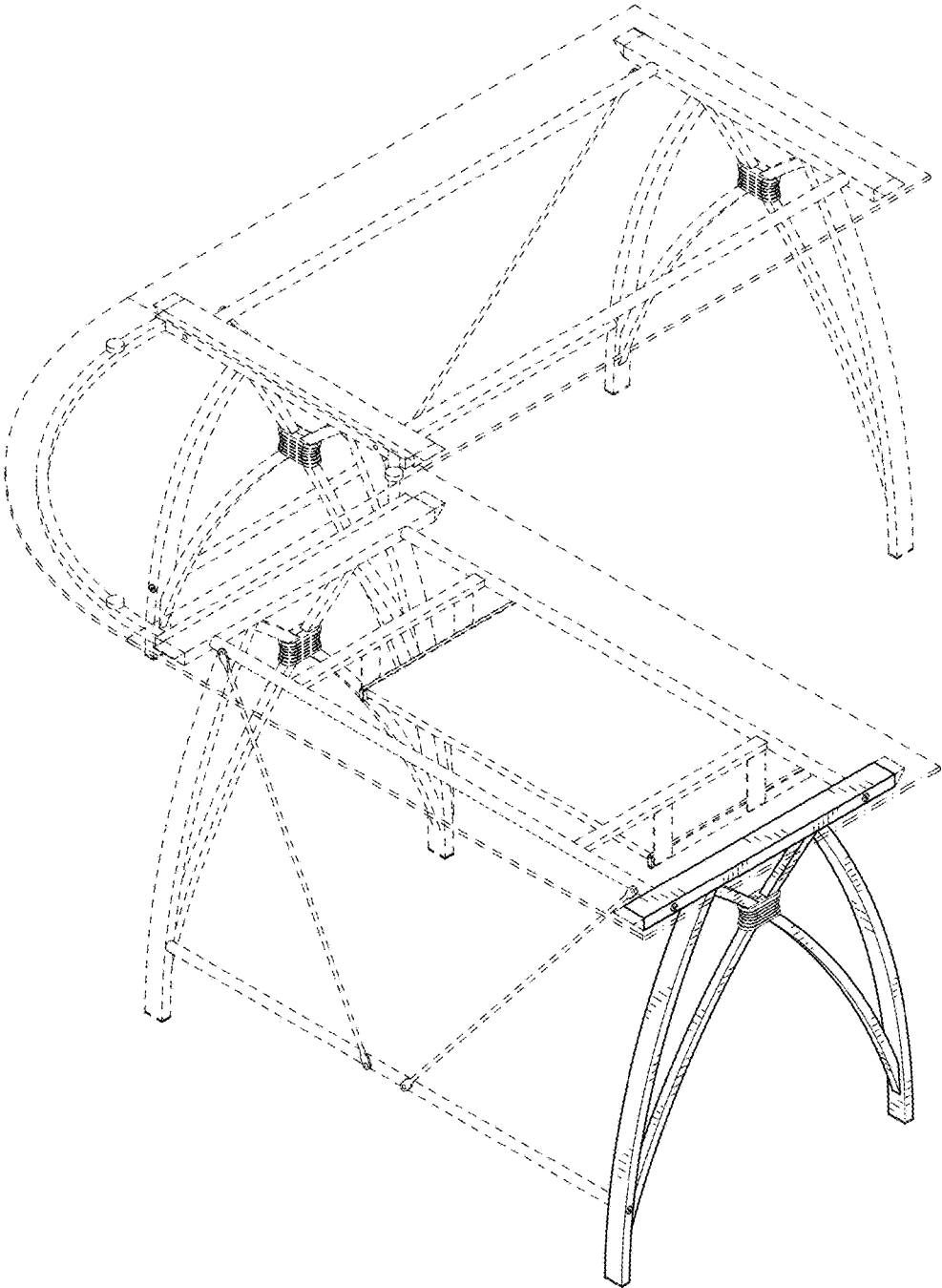


FIG.9



FIG.10