

(19) World Intellectual Property
Organization
International Bureau



(43) International Publication Date
23 December 2004 (23.12.2004)

PCT

(10) International Publication Number
WO 2004/111613 A3

(51) International Patent Classification⁷: G01N 1/20,
33/04, A01J 5/04

(21) International Application Number:
PCT/GB2004/002516

(22) International Filing Date: 11 June 2004 (11.06.2004)

(25) Filing Language: English

(26) Publication Language: English

(30) Priority Data:
0313759.3 13 June 2003 (13.06.2003) GB

(71) Applicant (for all designated States except US): THE
TECHNOLOGY PARTNERSHIP PLC [GB/GB]; Mel-
bourn Science Park, Cambridge Road, Melbourn, Royston,
Herts SG8 6EE (GB).

(72) Inventors; and

(75) Inventors/Applicants (for US only): ANDERSON, Ian
[GB/GB]; 19 Silver Street, Burwell, Cambs CB5 0EF
(GB). MOTTRAM, Toby, Trevor, Fury [GB/GB]; 160

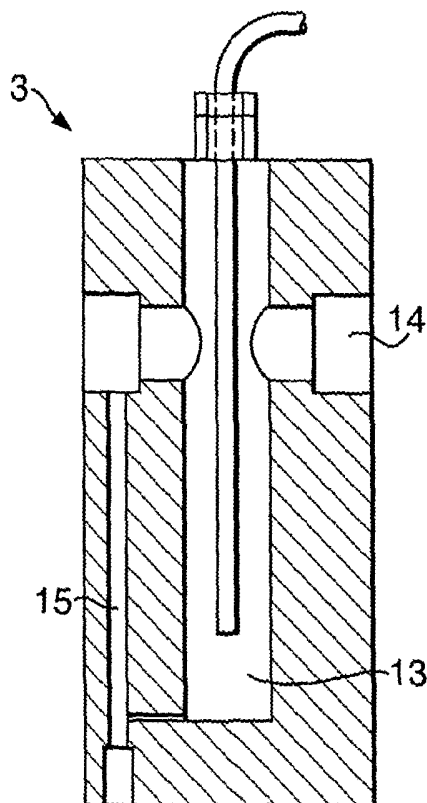
Milton Road, Cambridge CB4 1LE (GB). RICHARDS,
John, Gordon [GB/GB]; 3 Compton Close, Flitwick,
Bedford MK45 1TA (GB). RICHARDS, Peter, Alan
[GB/GB]; 3 Conway Drive, Flitwick, Bedford MK45
1DE (GB). INSKIP, Peter, Frederick [GB/GB]; 34
Silver End Road, Haynes, Bedfordshire MK45 3PP (GB).
BRADLEY, Andrew [GB/GB]; 18 Deacon Avenue,
Kempston, Bedford MK42 7DT (GB).

(74) Agent: GILL JENNINGS & EVERY; Broadgate House,
7 Eldon Street, London EC2M 7LH (GB).

(81) Designated States (unless otherwise indicated, for every
kind of national protection available): AE, AG, AL, AM,
AT, AU, AZ, BA, BB, BG, BR, BW, BY, BZ, CA, CH, CN,
CO, CR, CU, CZ, DE, DK, DM, DZ, EC, EE, EG, ES, FI,
GB, GD, GE, GH, GM, HR, HU, ID, IL, IN, IS, JP, KE,
KG, KP, KR, KZ, LC, LK, LR, LS, LT, LU, LV, MA, MD,
MG, MK, MN, MW, MX, MZ, NA, NI, NO, NZ, OM, PG,
PH, PL, PT, RO, RU, SC, SD, SE, SG, SK, SL, SY, TJ, TM,
TN, TR, TT, TZ, UA, UG, US, UZ, VC, VN, YU, ZA, ZM,
ZW.

[Continued on next page]

(54) Title: FLUID SAMPLING COMPONENTS



(57) Abstract: An animal product sampling device comprises a well arranged, in use, to collect fluid flowing through a fluid tube connected to the well, a drain, one end of which is connected to the well, which is arranged such that, in use, fluid from the well may pass to the fluid tube connected to the well, and a sample tube arranged, in use, to draw fluid from a zone of fluid of minimal turbulence within the well. The device is arranged such that, in use, the zone of fluid of minimal turbulence, from which a sample of fluid can be drawn through the sample tube, is created in the device due to the dimensions of the well and the drain. There is further provided an animal product sample transportation device and an animal product sample collecting device.

WO 2004/111613 A3



(84) Designated States (*unless otherwise indicated, for every kind of regional protection available*): ARIPO (BW, GH, GM, KE, LS, MW, MZ, NA, SD, SL, SZ, TZ, UG, ZM, ZW), Eurasian (AM, AZ, BY, KG, KZ, MD, RU, TJ, TM), European (AT, BE, BG, CH, CY, CZ, DE, DK, EE, ES, FI, FR, GB, GR, HU, IE, IT, LU, MC, NL, PL, PT, RO, SE, SI, SK, TR), OAPI (BF, BJ, CF, CG, CI, CM, GA, GN, GQ, GW, ML, MR, NE, SN, TD, TG).

Published:

— *with international search report*

— *before the expiration of the time limit for amending the claims and to be republished in the event of receipt of amendments*

(88) Date of publication of the international search report:

24 March 2005

For two-letter codes and other abbreviations, refer to the "Guidance Notes on Codes and Abbreviations" appearing at the beginning of each regular issue of the PCT Gazette.

INTERNATIONAL SEARCH REPORT

International Application No
PCT/GB2004/002516

A. CLASSIFICATION OF SUBJECT MATTER IPC 7 G01N1/20 G01N33/04 A01J5/04		
According to International Patent Classification (IPC) or to both national classification and IPC		
B. FIELDS SEARCHED Minimum documentation searched (classification system followed by classification symbols) IPC 7 G01N A01J		
Documentation searched other than minimum documentation to the extent that such documents are included in the fields searched		
Electronic data base consulted during the international search (name of data base and, where practical, search terms used) EPO-Internal		
C. DOCUMENTS CONSIDERED TO BE RELEVANT		
Category °	Citation of document, with indication, where appropriate, of the relevant passages	Relevant to claim No.
X	FR 2 797 323 A (FEDERATION DES COOPERATIVES LA) 9 February 2001 (2001-02-09) page 2, lines 7,8 page 3, line 5 - page 4, line 18; figure 3 -----	1-7 8
Y	US 4 325 028 A (TAKAHASHI TOSHIO) 13 April 1982 (1982-04-13) abstract -----	8
X	GB 2 231 658 A (AFIKIM S A E) 21 November 1990 (1990-11-21) page 5, line 2 - page 6, line 8; figure 1 -----	1,2
A	GB 2 107 282 A (AHI OPERATIONS LTD) 27 April 1983 (1983-04-27) page 1, line 73 - page 2, line 99; figure 1 -----	4
----- -/--		
<input checked="" type="checkbox"/> Further documents are listed in the continuation of box C.		
<input checked="" type="checkbox"/> Patent family members are listed in annex.		
° Special categories of cited documents :		
"A" document defining the general state of the art which is not considered to be of particular relevance "E" earlier document but published on or after the international filing date "L" document which may throw doubts on priority claim(s) or which is cited to establish the publication date of another citation or other special reason (as specified) "O" document referring to an oral disclosure, use, exhibition or other means "P" document published prior to the international filing date but later than the priority date claimed		
"T" later document published after the international filing date or priority date and not in conflict with the application but cited to understand the principle or theory underlying the invention "X" document of particular relevance; the claimed invention cannot be considered novel or cannot be considered to involve an inventive step when the document is taken alone "Y" document of particular relevance; the claimed invention cannot be considered to involve an inventive step when the document is combined with one or more other such documents, such combination being obvious to a person skilled in the art. "&" document member of the same patent family		
Date of the actual completion of the international search 24 August 2004	Date of mailing of the International search report 20. 01. 2005	
Name and mailing address of the ISA European Patent Office, P.B. 5818 Patentlaan 2 NL - 2280 HV Rijswijk Tel. (+31-70) 340-2040, Tx. 31 651 epo nl, Fax: (+31-70) 340-3016	Authorized officer Cantalapiedra, I	

INTERNATIONAL SEARCH REPORT

International Application No
PCT/GB2004/002516

C.(Continuation) DOCUMENTS CONSIDERED TO BE RELEVANT

Category *	Citation of document, with indication, where appropriate, of the relevant passages	Relevant to claim No.
A	WO 88/07667 A (ROSENBERG RYAN) 6 October 1988 (1988-10-06) page 4, lines 5-23; figure 1 -----	4

INTERNATIONAL SEARCH REPORT

International application No.
PCT/GB2004/002516

Box II Observations where certain claims were found unsearchable (Continuation of item 2 of first sheet)

This International Search Report has not been established in respect of certain claims under Article 17(2)(a) for the following reasons:

1. Claims Nos.:
because they relate to subject matter not required to be searched by this Authority, namely:

2. Claims Nos.:
because they relate to parts of the International Application that do not comply with the prescribed requirements to such an extent that no meaningful International Search can be carried out, specifically:

3. Claims Nos.:
because they are dependent claims and are not drafted in accordance with the second and third sentences of Rule 6.4(a).

Box III Observations where unity of invention is lacking (Continuation of item 3 of first sheet)

This International Searching Authority found multiple inventions in this international application, as follows:

see additional sheet

1. As all required additional search fees were timely paid by the applicant, this International Search Report covers all searchable claims.

2. As all searchable claims could be searched without effort justifying an additional fee, this Authority did not invite payment of any additional fee.

3. As only some of the required additional search fees were timely paid by the applicant, this International Search Report covers only those claims for which fees were paid, specifically claims Nos.:

4. No required additional search fees were timely paid by the applicant. Consequently, this International Search Report is restricted to the invention first mentioned in the claims; it is covered by claims Nos.:

1-8

Remark on Protest

- The additional search fees were accompanied by the applicant's protest.
- No protest accompanied the payment of additional search fees.

INTERNATIONAL SEARCH REPORT

International Application No. PCT/ GB2004/ 002516

FURTHER INFORMATION CONTINUED FROM PCT/ISA/ 210

This International Searching Authority found multiple (groups of) inventions in this international application, as follows:

1. claims: 1-8

a milk sampling device

2. claims: 9-16

a milk sample transportation device

3. claims: 17-26

a milk collecting device

INTERNATIONAL SEARCH REPORT

Information on patent family members

International Application No
PCT/GB2004/002516

Patent document cited in search report	A	Publication date	Patent family member(s)	Publication date
FR 2797323	A	09-02-2001	FR 2797323 A1	09-02-2001
US 4325028	A	13-04-1982	JP 55013842 A AU 531416 B2 CA 1132662 A1 DE 2966912 D1 DK 107780 A EP 0018419 A1 WO 8000274 A1	31-01-1980 25-08-1983 28-09-1982 24-05-1984 13-03-1980 12-11-1980 21-02-1980
GB 2231658	A	21-11-1990	FR 2645705 A1 NL 9000835 A	19-10-1990 01-11-1990
GB 2107282	A	27-04-1983	NONE	
WO 8807667	A	06-10-1988	DK 155887 A WO 8807667 A1	27-09-1988 06-10-1988