



US00D361789S

United States Patent [19]

[11] Patent Number: **Des. 361,789**

Hewitt et al.

[45] Date of Patent: **** Aug. 29, 1995**

[54] **STACKABLE PHOTO FILE**

[75] Inventors: **Richard E. Hewitt; John K. Clay,**
both of Santa Barbara, Calif.;
William L. Bartlett, Santa Fe, N.
Mex.

[73] Assignee: **Endeavour IV, Inc.,** Santa Barbara,
Calif.

[**] Term: **14 Years**

[21] Appl. No.: **23,604**

[22] Filed: **May 27, 1994**

[52] U.S. Cl. **D19/86; D16/250;**
D19/92

[58] Field of Search **D16/225, 250; D6/300;**
D19/35, 36, 65, 75, 76, 86, 92, 99, 100; 248/682,
111; 462/41; 220/326; 206/6; 292/87; 40/391,
152, 405, 152.1, 511, 513

[56] **References Cited**

U.S. PATENT DOCUMENTS

- D. 190,207 4/1961 Reed D16/250
- D. 230,646 3/1974 Unger D19/92
- D. 254,883 5/1980 Jorda-Segui D19/92 X
- D. 258,027 1/1981 Rache et al. D19/76 X

- D. 270,062 8/1983 Ackeret D16/225 X
- D. 307,677 5/1990 Tontarelli D6/311
- D. 314,981 2/1991 Hassel D19/86 X
- D. 333,574 3/1993 Ackeret D6/300
- 4,047,315 9/1977 Osher 40/391

Primary Examiner—Martie Thompson
Attorney, Agent, or Firm—Marvin E. Jacobs

[57] **CLAIM**

The ornamental design for a stackable photo file, as shown and described.

DESCRIPTION

FIG. 1 is a top front perspective view of a stackable photo file, the broken line showing being for illustrative purposes only and forming no part of the claimed design;

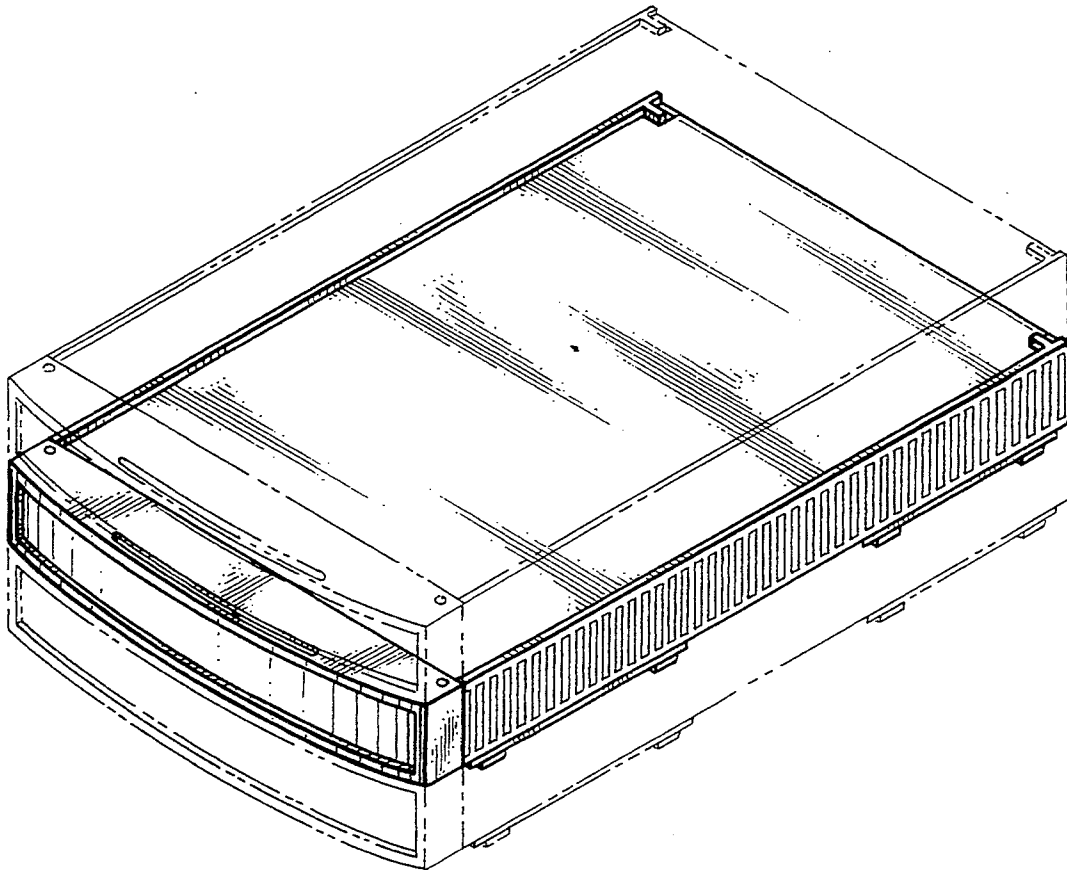
FIG. 2 is a front view in elevation of the stackable photo file illustrated in FIG. 1;

FIG. 3 is a right side view in elevation of the stackable photo file illustrated in FIG. 1, the left side being identical thereto;

FIG. 4 is a rear view in elevation of the stackable photo file illustrated in FIG. 1;

FIG. 5 is a top plan view of the stackable photo file; and,

FIG. 6 is a bottom plan view thereof.



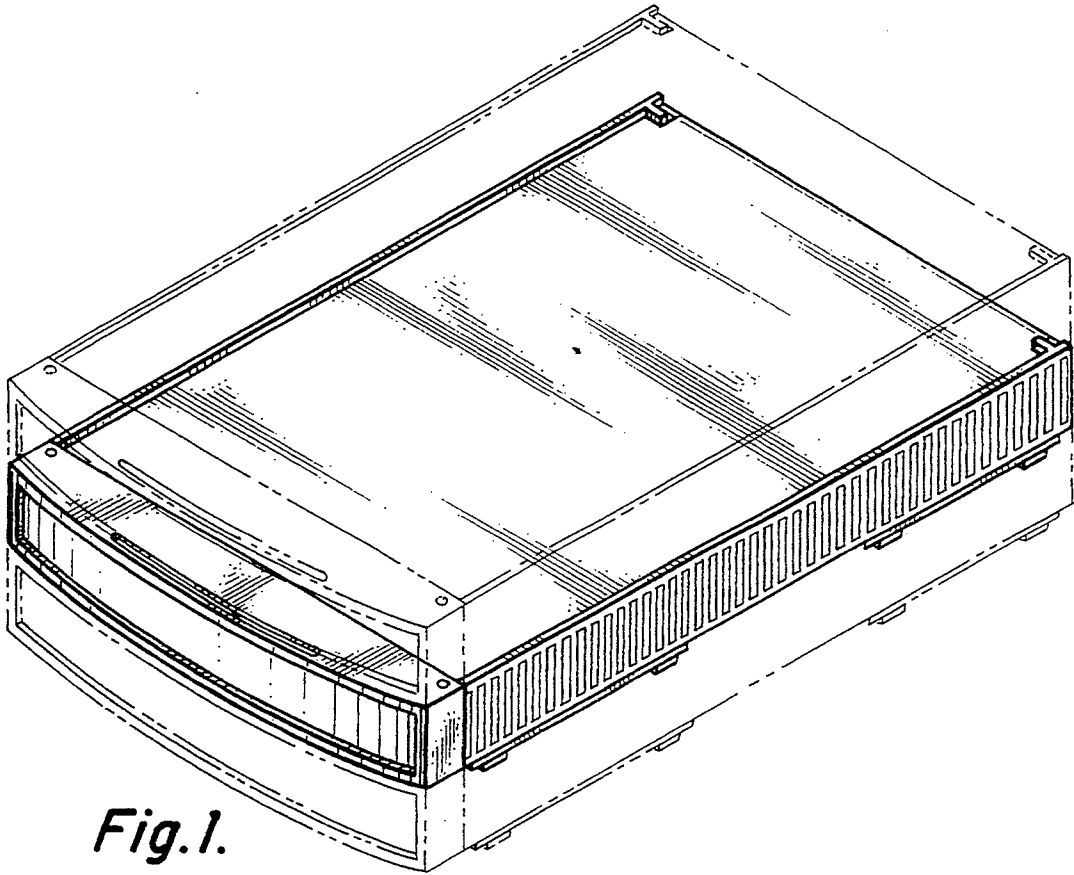


Fig. 1.

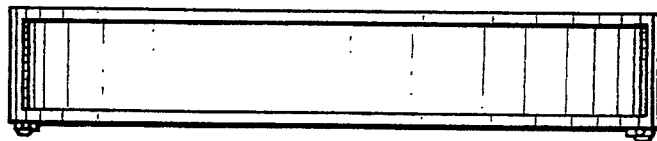


Fig. 2.

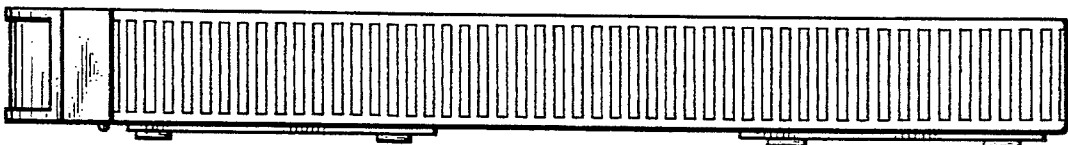


Fig. 3.

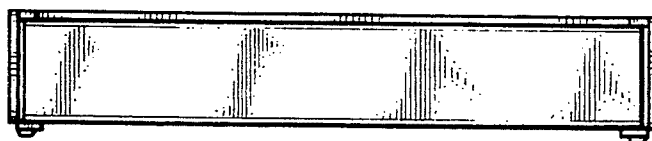


Fig. 4.



Fig. 5.

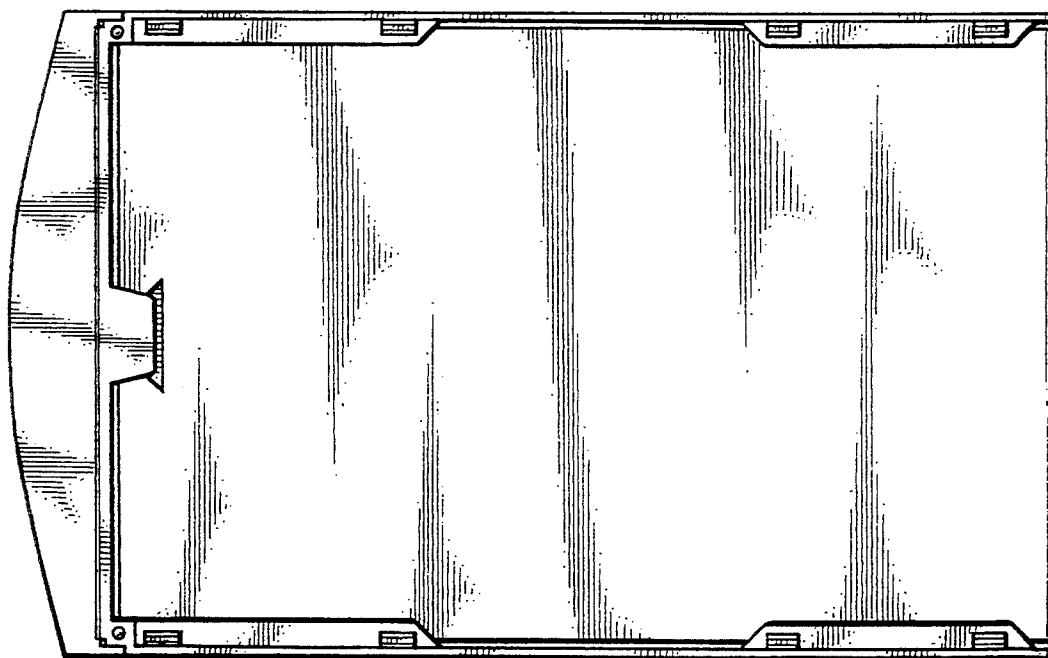


Fig. 6.