



US00D583263S

(12) **United States Design Patent**
Sebban

(10) **Patent No.:** **US D583,263 S**

(45) **Date of Patent:** **** Dec. 23, 2008**

(54) **INFRARED NON-CONTACT THERMOMETER**

Primary Examiner—Antoine D Davis
(74) Attorney, Agent, or Firm—Malloy & Malloy, P.A.

(76) Inventor: **Eric Sebban**, 13899 Biscayne Blvd.,
#101, North Miami Beach, FL (US)
33181

(57) **CLAIM**

The ornamental design for an infrared non-contact thermometer, as shown and described.

(**) Term: **14 Years**

(21) Appl. No.: **29/291,262**

(22) Filed: **Aug. 21, 2007**

DESCRIPTION

Related U.S. Application Data

(63) Continuation-in-part of application No. 29/268,430, filed on Nov. 7, 2006, now Pat. No. Des. 549,114.

FIG. 1 is a front perspective view illustrating my design for an infrared non-contact thermometer;

FIG. 2 is a front perspective view opposite of that of FIG. 1 thereof;

(51) **LOC (8) Cl.** **10-04**

(52) **U.S. Cl.** **D10/57**

(58) **Field of Classification Search** D10/57;
374/1–210

FIG. 3 is a rear perspective view thereof;

FIG. 4 is a front view thereof;

FIG. 5 is a rear view thereof;

See application file for complete search history.

FIG. 6 is a left side view thereof;

FIG. 7 is a right side view thereof;

FIG. 8 is a top view thereof; and,

FIG. 9 is a bottom view thereof.

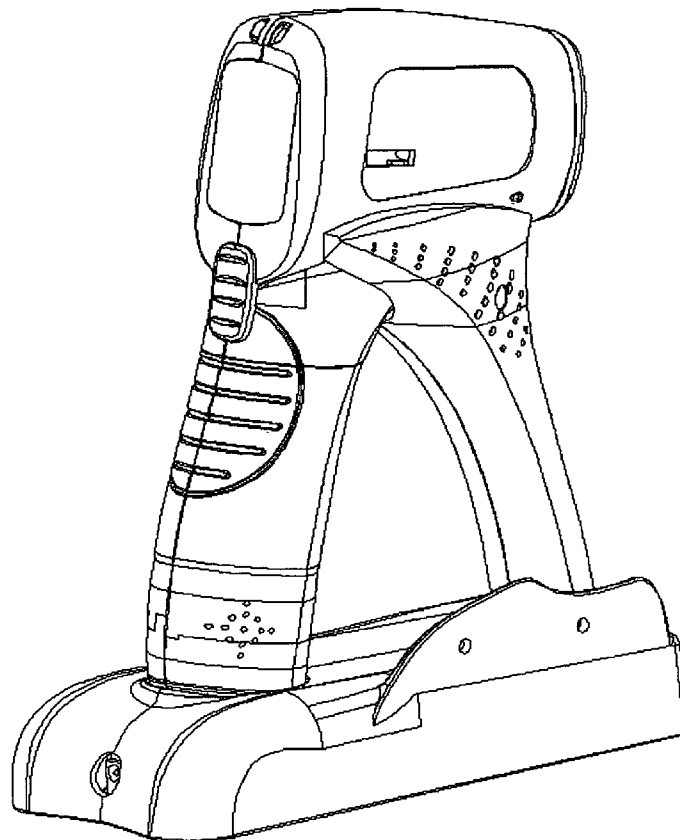
(56) **References Cited**

U.S. PATENT DOCUMENTS

7,093,974 B2 * 8/2006 Kienitz 374/121

* cited by examiner

1 Claim, 9 Drawing Sheets



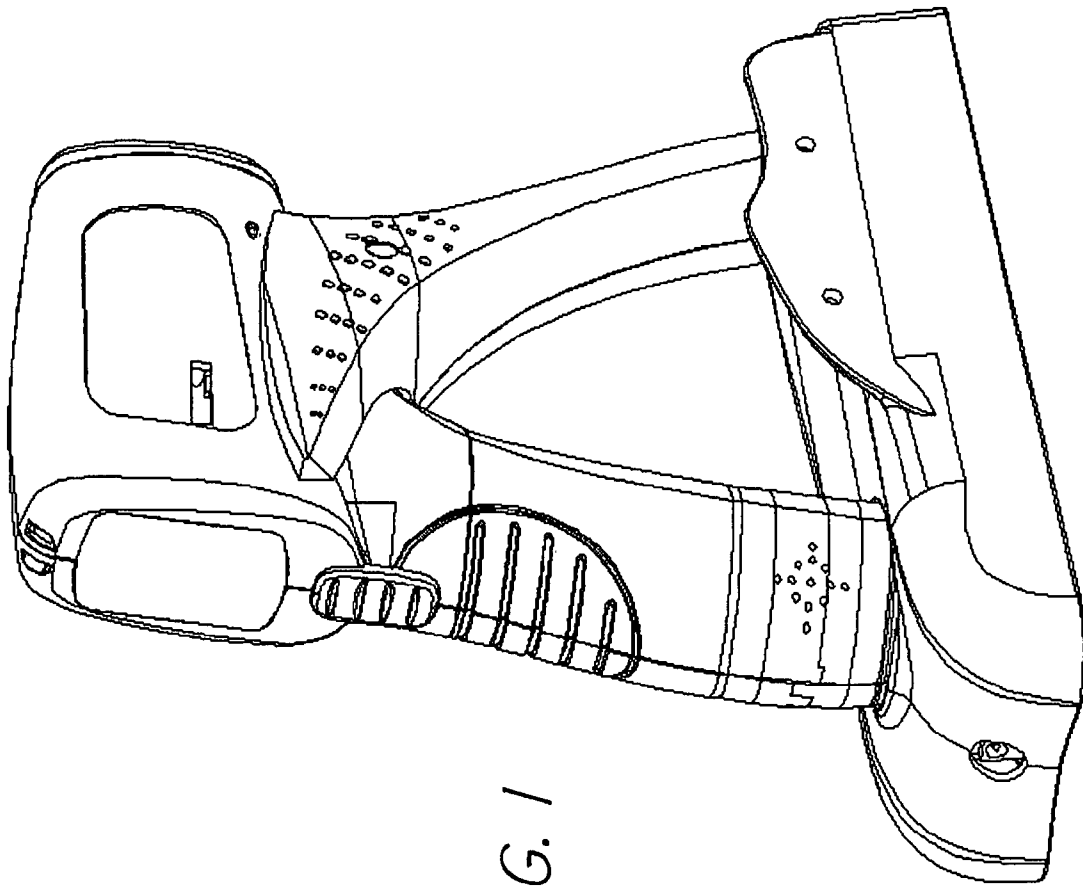


FIG. 1

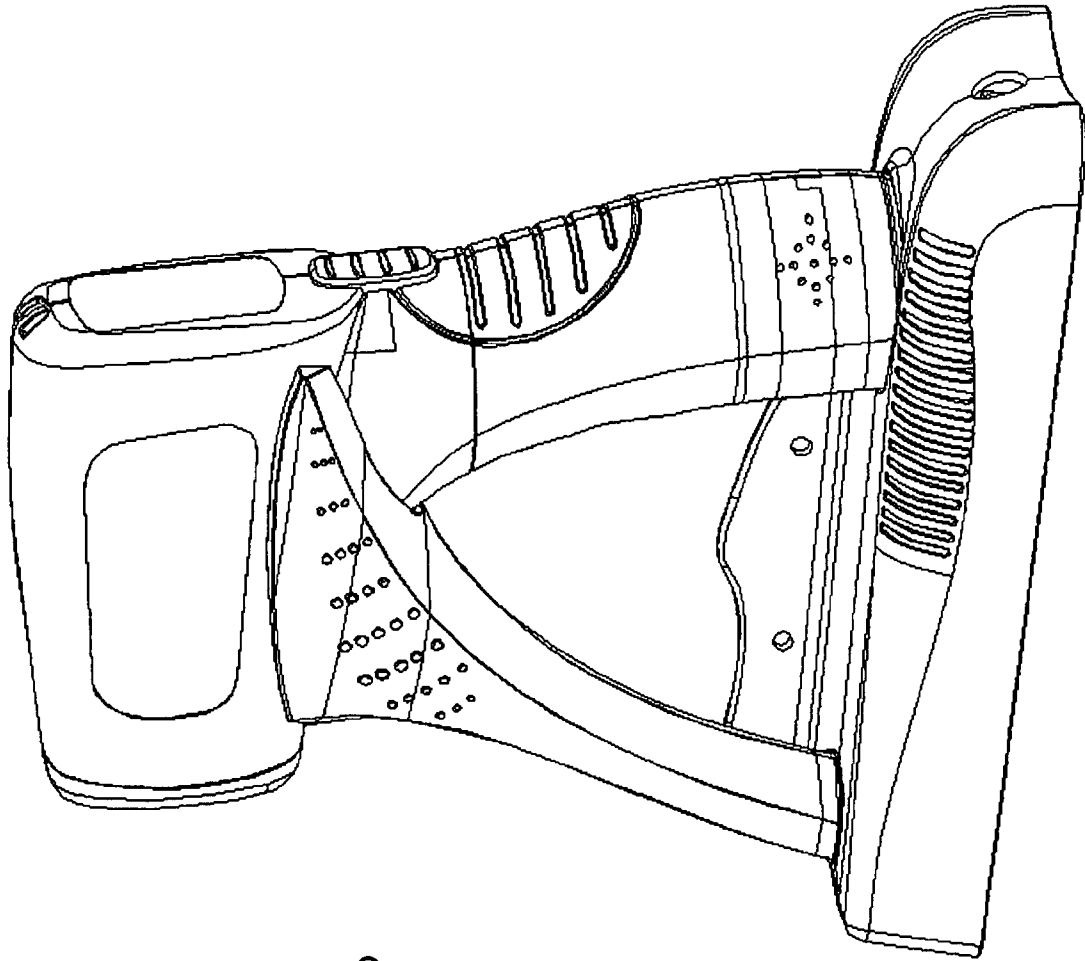


FIG. 2

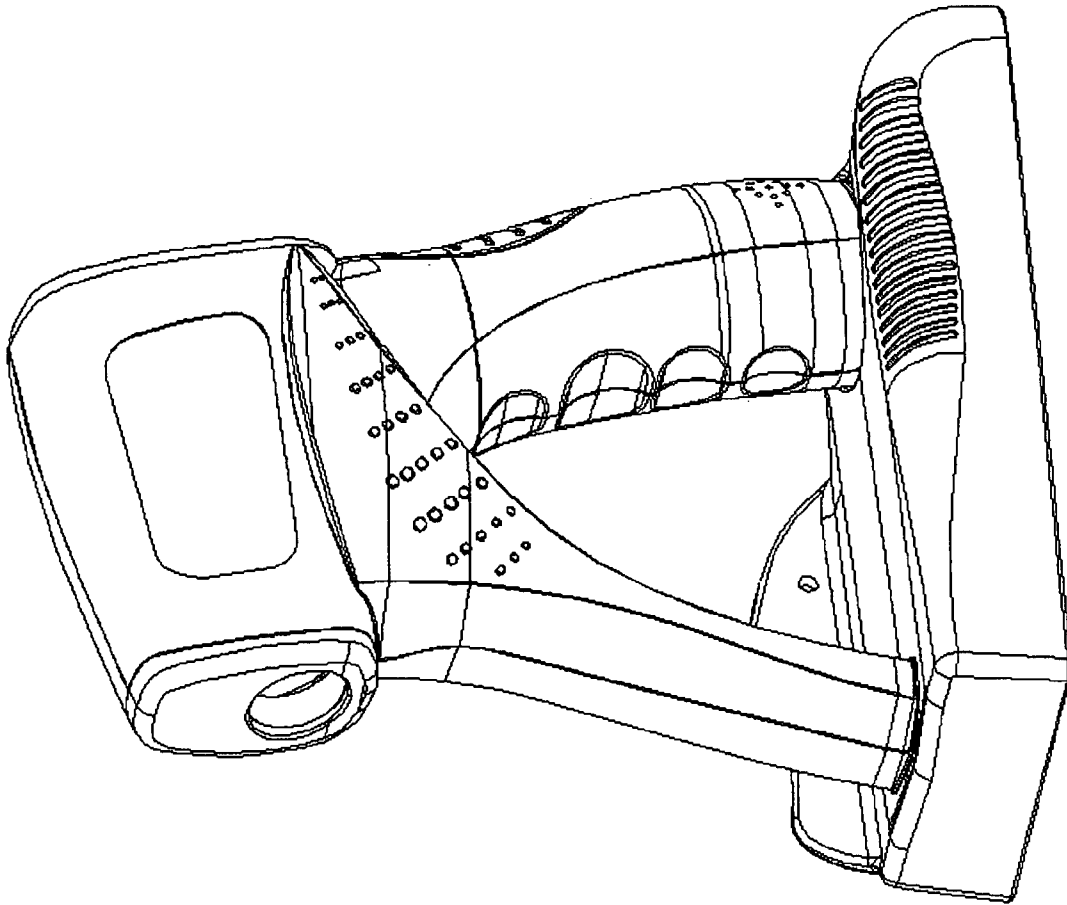


FIG. 3

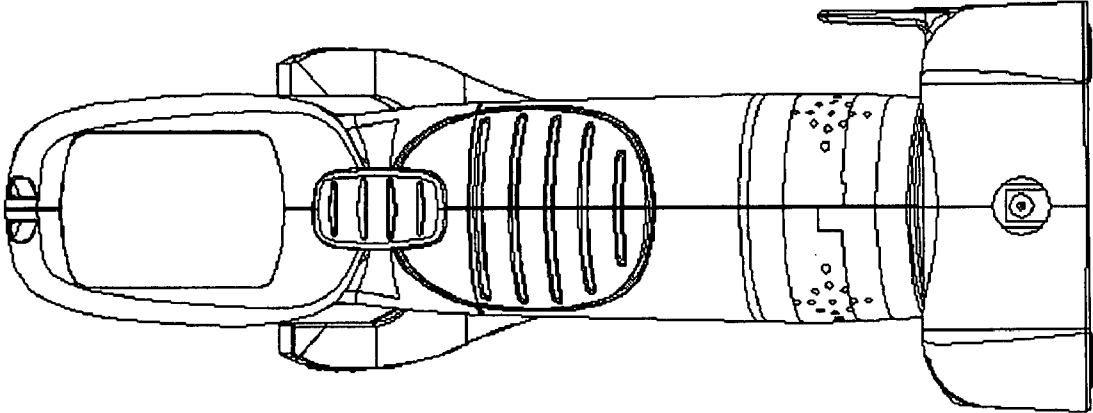


FIG. 4

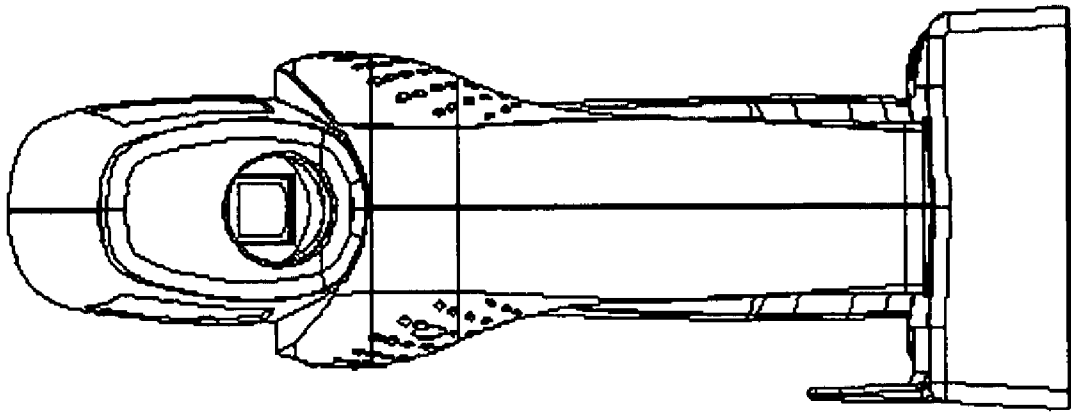


FIG. 5

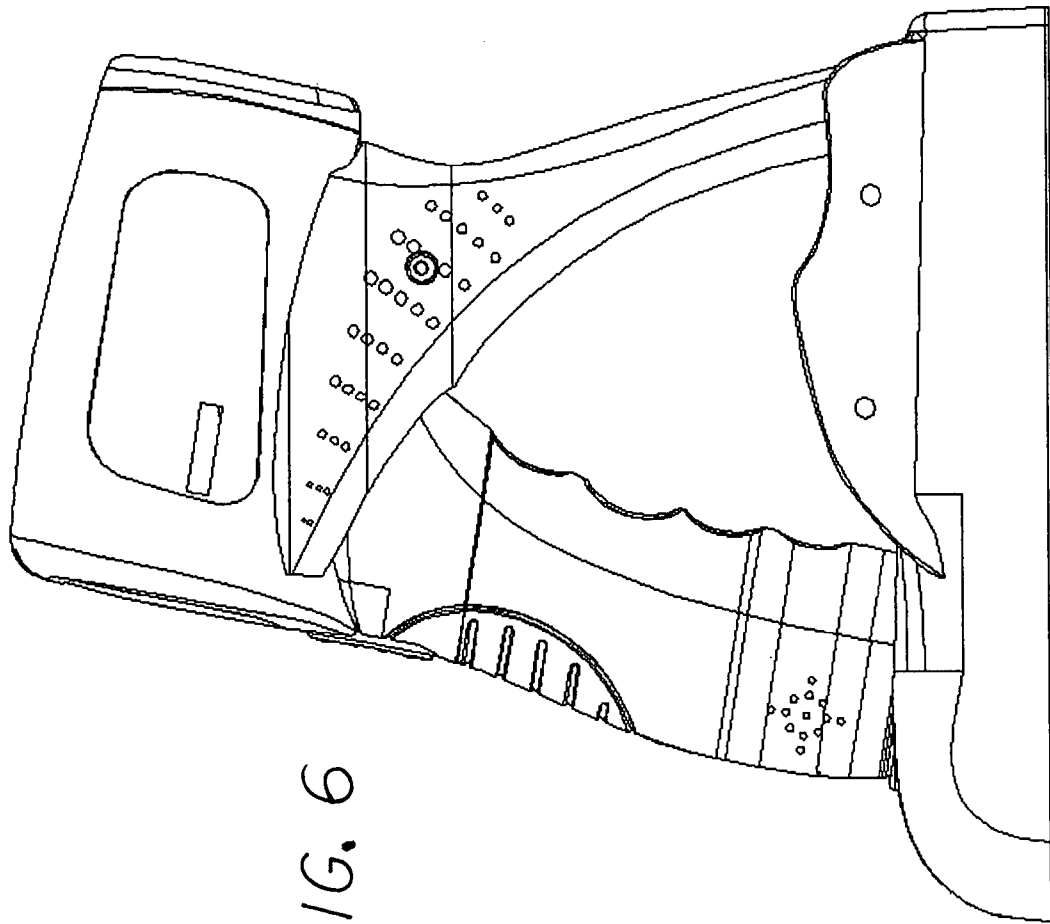


FIG. 6

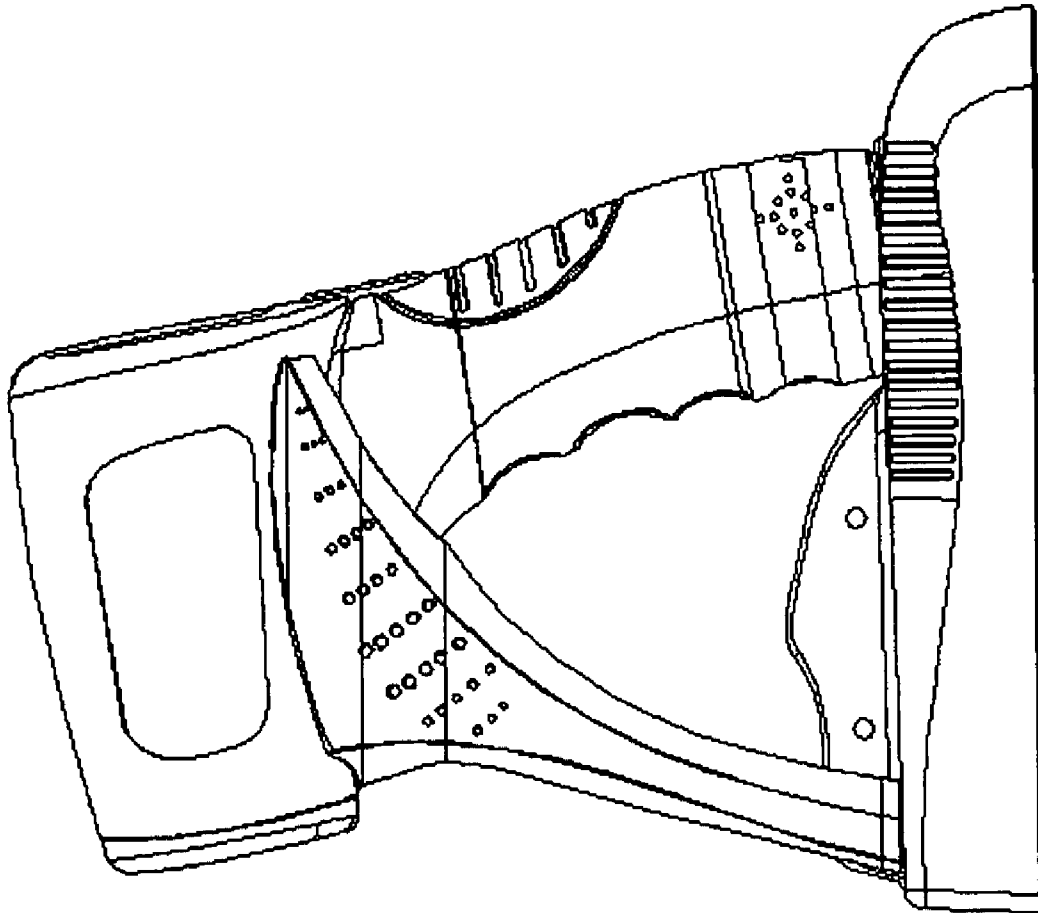


FIG. 7

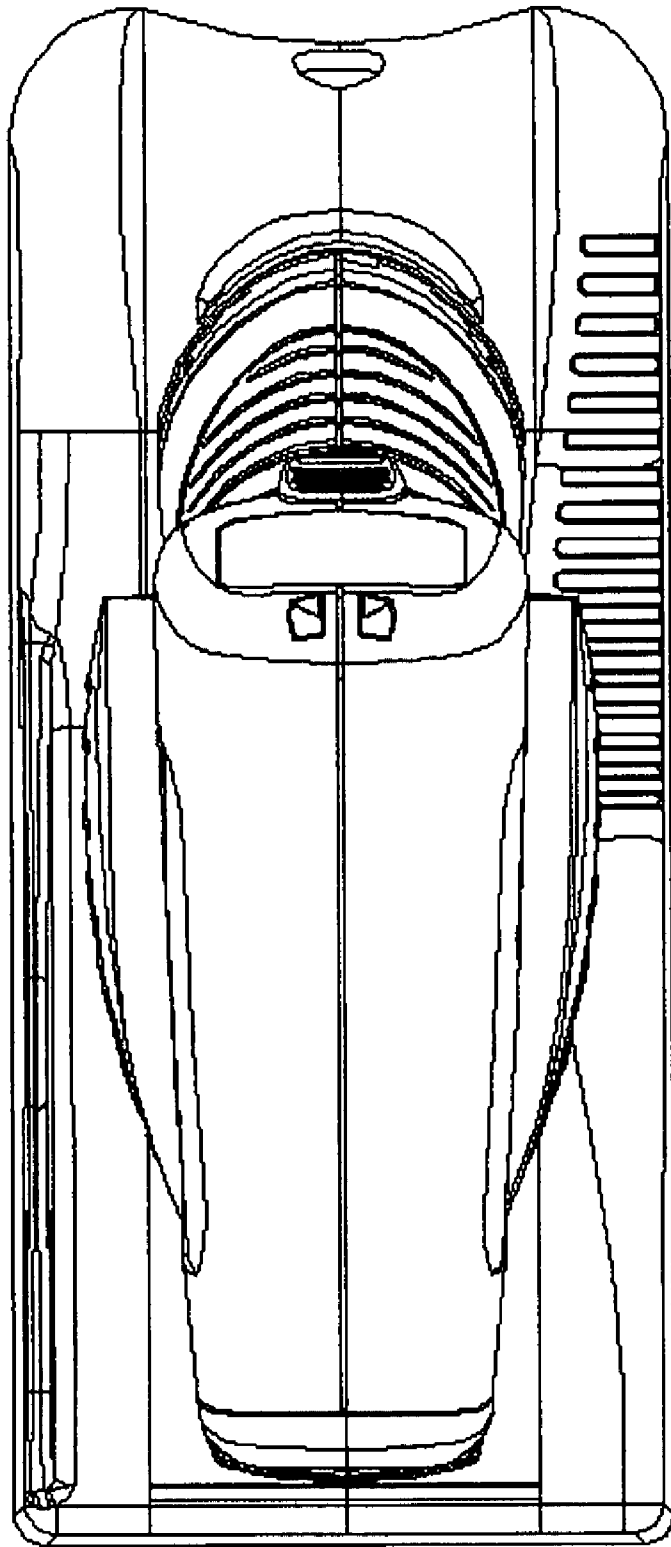


FIG. 8

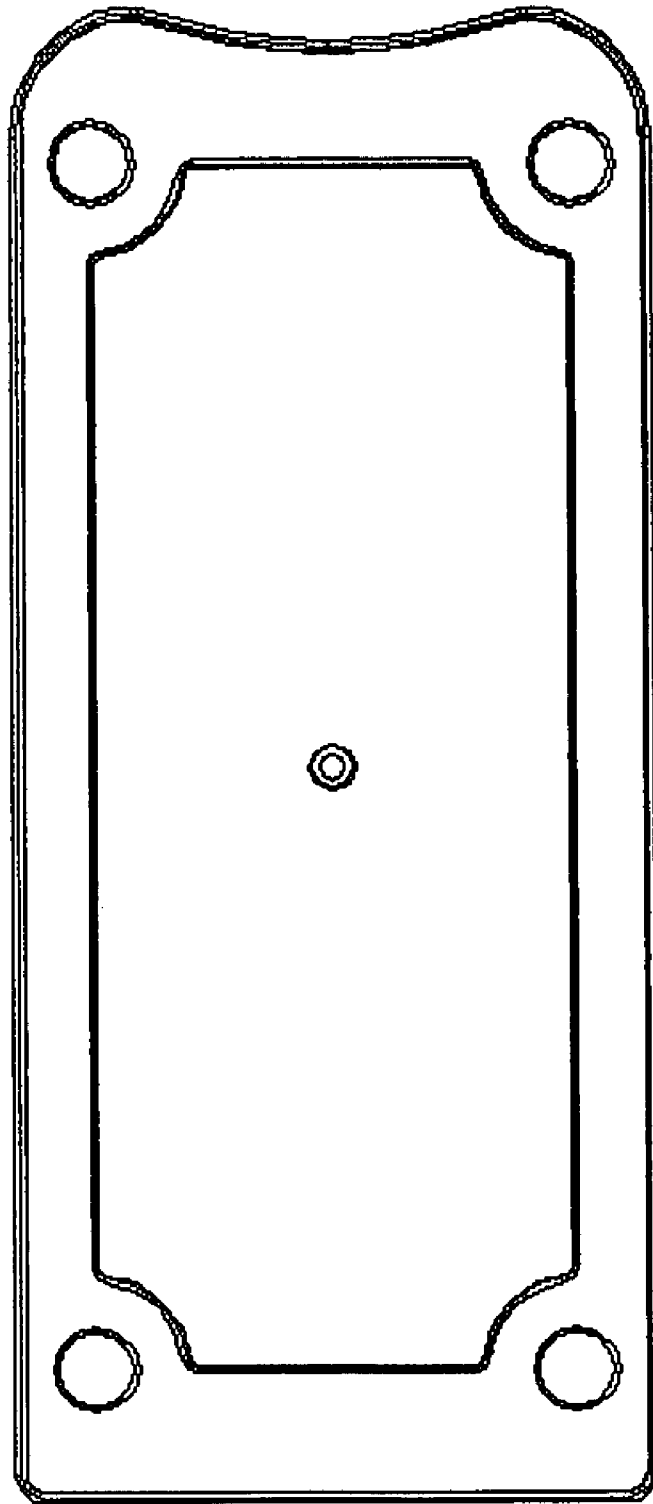


FIG. 9