



(12) **United States Design Patent**  
**Niwa**

(10) **Patent No.:** **US D476,555 S**  
(45) **Date of Patent:** **\*\* Jul. 1, 2003**

(54) **CLIP SPRING MEMBER**

(75) Inventor: **Kenji Niwa, Aichi (JP)**

(73) Assignee: **Maruzen Products Co., Ltd., Aichi (JP)**

(\*\*) Term: **14 Years**

(21) Appl. No.: **29/145,528**

(22) Filed: **Jul. 26, 2001**

(30) **Foreign Application Priority Data**

Jan. 31, 2001 (JP) ..... 2001-002044

(51) **LOC (7) Cl.** ..... **08-08**

(52) **U.S. Cl.** ..... **D8/395; D6/328**

(58) **Field of Search** ..... **D6/328, 326; D32/61, D32/64; D8/395-396; 24/500, 501, 511; 223/90, 91, 93, 94, 96, DIG. 2**

(56) **References Cited**

**U.S. PATENT DOCUMENTS**

- 1,679,196 A \* 7/1928 Zieburz
- 2,160,325 A \* 5/1939 Brooke
- 4,335,838 A \* 6/1982 Bisk et al.
- 5,813,578 A \* 9/1998 Hsieh ..... 223/85
- 6,119,906 A \* 9/2000 Bond et al. .... 223/96

\* cited by examiner

*Primary Examiner*—B. J. Bullock

(74) *Attorney, Agent, or Firm*—Rader, Fishman & Grauer PLLC

(57) **CLAIM**

The ornamental design for a clip spring member, as shown.

**DESCRIPTION**

FIG. 1 is a perspective view of a clip spring member showing my new design;

FIG. 2 is a front elevational view thereof, a rear elevational view thereof being a mirror image;

FIG. 3 is a top plan view thereof;

FIG. 4 is a right side elevational view thereof, a left side elevational view thereof being a mirror image; and

FIG. 5 is a bottom plan view thereof.

FIG. 6 is a perspective view of another embodiment of a clip spring member showing my new design; and,

FIG. 7 is top plan view thereof. The rest of views of the embodiment of FIG. 6 is the same as those of the embodiment of FIG. 1.

Portions in broken lines are for illustrative purposes only and form no part of claimed design.

**1 Claim, 2 Drawing Sheets**

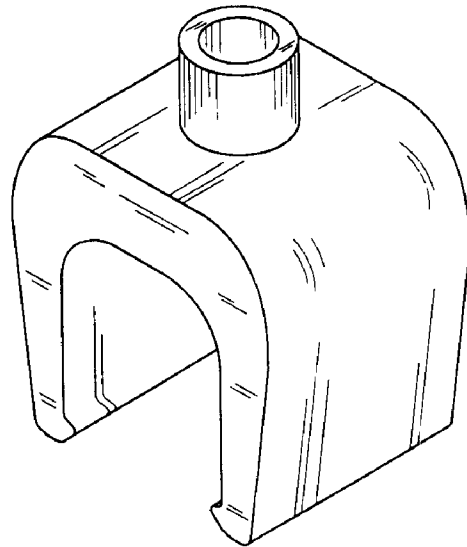
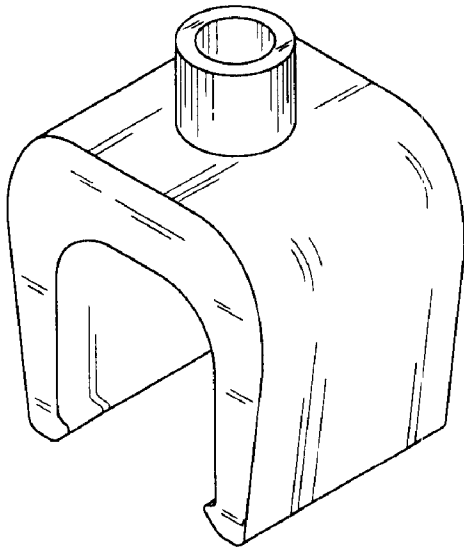


FIG. 1

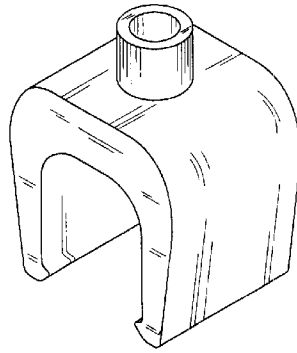


FIG. 2

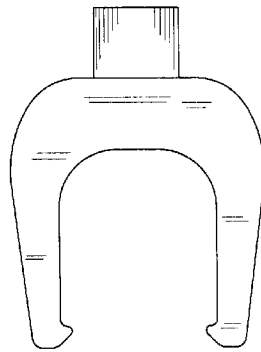


FIG. 3

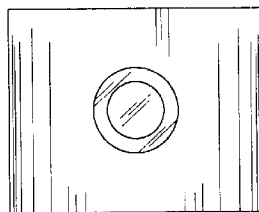


FIG. 4

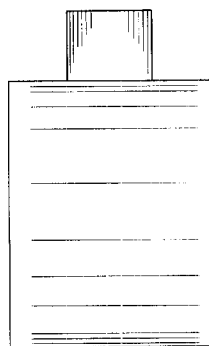


FIG. 5

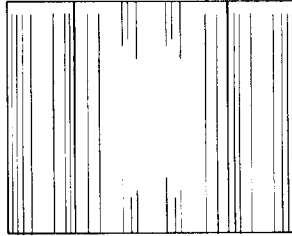


FIG. 6

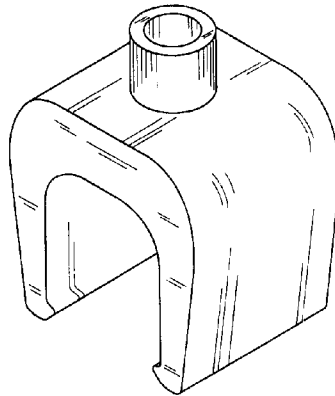


FIG. 7

