



US00D733979S

(12) **United States Design Patent**  
**Marks et al.**

(10) **Patent No.:** **US D733,979 S**  
(45) **Date of Patent:** **\*\* Jul. 7, 2015**

(54) **PARTS WASHER**

FOREIGN PATENT DOCUMENTS

(71) Applicant: **Chemfree Corporation**, Norcross, GA (US)

JP D133612 \* 6/2008

(72) Inventors: **Francis A. Marks**, Sandy Springs, GA (US); **Walter F. Ottmann**, Duluth, GA (US); **Thomas W. McNally**, Norcross, GA (US)

OTHER PUBLICATIONS

Engineering Ultrasonic Cleaning, article date Mar. 15, 2011, [online], [site visited Dec. 3, 2014 3:14:35 PM], <<http://engg-learning.blogspot.com/2011/03/ultrasonic-cleaning.html>>.\*  
Sink Parts Washer, wayback date Oct. 10, 2010, [online], [site visited Dec. 3, 2014 2:13:37 PM], <<http://web.archive.org/web/20101010084426/http://s-kstore.com/index.php/sink-parts-washer-aqueous-model-90.html>>.\*

(73) Assignee: **Chemfree Corporation**, Norcross, GA (US)

(Continued)

(\*\*) Term: **14 Years**

*Primary Examiner* — John Windmuller

(21) Appl. No.: **29/435,652**

*Assistant Examiner* — John R Yeh

(22) Filed: **Oct. 26, 2012**

(74) *Attorney, Agent, or Firm* — Womble Carlyle Sandridge & Rice LLP

(51) **LOC (10) CL.** ..... **15-05**

(52) **U.S. Cl.**  
USPC ..... **D32/1**

(57) **CLAIM**

The ornamental design for a parts washer, as shown and described herein.

(58) **Field of Classification Search**

USPC ..... D32/1, 15, 16, 25; 134/6, 47, 52–54, 134/56 R, 57 R, 103.1, 103.2, 109, 115 R, 134/117, 129, 198, 200; 15/1.51, 24, 15/104.061; 451/64–66, 74, 92, 165; D7/605, 619.1; D3/218, 272, 273, 276, D3/294, 321, 279, 281, 905; D24/185–187, 217; D13/169, 131, D13/162, 174, 176

**DESCRIPTION**

See application file for complete search history.

FIG. 1 is a perspective view of a parts washer shown in a closed configuration;  
FIG. 2 is a top view of the parts washer thereof;  
FIG. 3 is a bottom view of the parts washer thereof;  
FIG. 4 is a right side view of the parts washer thereof;  
FIG. 5 is a left side view of the parts washer thereof;  
FIG. 6 is a back end view of the parts washer thereof;  
FIG. 7 is a front end view of the parts washer thereof;  
FIG. 8 is a perspective top view of the parts washer in an open configuration thereof; and,  
FIG. 9 is a perspective left view of the parts washer in an open configuration.

(56) **References Cited**

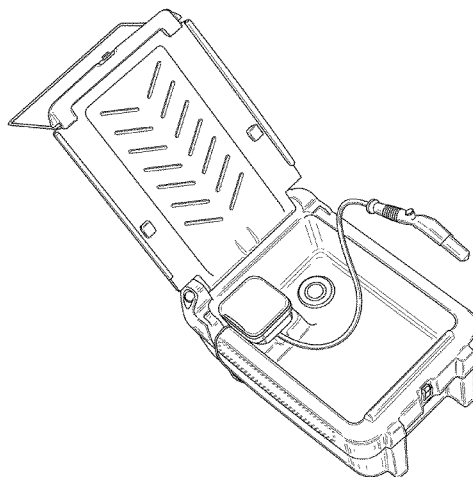
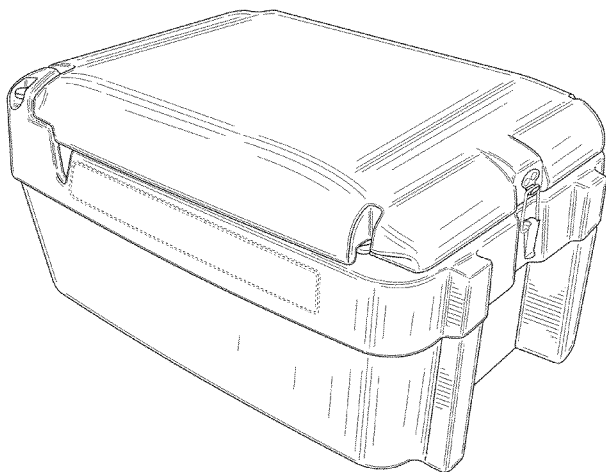
U.S. PATENT DOCUMENTS

D204,365 S \* 4/1966 Trombetta ..... D32/1  
3,343,555 A 9/1967 Kasner  
3,416,544 A 12/1968 Paiva  
4,051,858 A 10/1977 Mele  
4,052,227 A \* 10/1977 Delo et al. .... 134/56 R  
4,056,114 A \* 11/1977 Boutillette ..... 134/104.4  
4,226,548 A 10/1980 Reith

The broken lines represent portions of the parts washer that form no part of the claimed design.

(Continued)

**1 Claim, 5 Drawing Sheets**



(56)

## References Cited

## U.S. PATENT DOCUMENTS

4,601,300	A	7/1986	Sundheimer	
D286,937	S *	11/1986	Schafer	D3/272
4,995,409	A *	2/1991	Watts	134/58 R
5,213,119	A	5/1993	Kusz et al.	
D335,960	S *	6/1993	Kahl et al.	D7/709
D338,989	S *	8/1993	Ambrosiano	D32/15
5,373,708	A *	12/1994	Dumoulin, Jr.	62/457.7
5,419,349	A	5/1995	Swain	
D360,527	S *	7/1995	Corney et al.	D3/279
D361,220	S *	8/1995	Cacciola	D6/440
D370,096	S *	5/1996	Niemela et al.	D32/1
D378,721	S *	4/1997	Ramsey et al.	D6/634
5,622,196	A	4/1997	Luongo	
D414,038	S *	9/1999	van Rhienen	D3/302
5,961,733	A	10/1999	Strange	
6,019,110	A	2/2000	McClure et al.	
6,044,854	A	4/2000	Marks et al.	
6,074,491	A	6/2000	McClure et al.	
6,095,163	A	8/2000	McClure et al.	
D448,623	S *	10/2001	Gatipon et al.	D7/605
6,318,387	B1	11/2001	McClure et al.	
6,328,045	B1	12/2001	Strange	
6,374,835	B1	4/2002	McClure et al.	
6,440,226	B2	8/2002	McClure et al.	
D462,561	S *	9/2002	Bellin et al.	D6/634
6,451,125	B1	9/2002	McClure et al.	
6,523,556	B2	2/2003	Abad et al.	
6,571,810	B1	6/2003	McClure et al.	
6,609,258	B1 *	8/2003	Clements	4/655
D634,982	S *	3/2011	Melchert et al.	D7/605
D678,634	S *	3/2013	Liao	D32/1
8,763,619	B2 *	7/2014	Lele et al.	134/147
2011/0023279	A1 *	2/2011	Porter et al.	29/402.03
2012/0012493	A1 *	1/2012	Cleveland et al.	206/508
2014/0116479	A1 *	5/2014	Marks et al.	134/110

## OTHER PUBLICATIONS

Well-Bilt Portable Washer, user review date Feb. 4, 2011, [online], [site visited Dec. 3, 2014 2:10:12 PM]<<http://www.harborfreight.com/6-1-2-half-gallon-parts-washer-96952.html#pr-header-back-to-top-link>>.\*

Well-Bilt 40 gal parts washer, review date Nov. 9, 2009, [online], [site visited Dec. 3, 2014 2:04:20 PM], <[http://www.northerntool.com/shop/tools/product\\_200381753\\_200381753](http://www.northerntool.com/shop/tools/product_200381753_200381753)>.\*

ATD-8524 3.5 Gallon Bench Top Parts Washer brochure—ATD Tools, Inc.—<http://atdtools.com/8524>, prior to Oct. 26, 2012.

Baron Portable Parts Washer brochure—Parts Unlimited Street—[http://www.motorcycleworld.com/enthusiasts/catalog\\_itemdetail.asp?catalog=8024&lev](http://www.motorcycleworld.com/enthusiasts/catalog_itemdetail.asp?catalog=8024&lev) . . . , prior to Oct. 26, 2012.

Black Bull Parts Washer brochure—<http://www.sears.com/black-bull-pwash35-parts-washer-with-3.5-gallon-capacity/p-SPM> . . . , prior to Oct. 26, 2012.

JobSmart Portable Parts Washer, 20 gallon brochure—Tractor Supply Company—<http://www.tractorsupply.com/parts-washer-accessories/jobsmart-reg-portable-parts-was> . . . , prior to Oct. 26, 2012.

Wash 'N Go Compact Sink/Organizer (00983403) brochure—Relance Products—<http://www.relianceproducts.com/products/sanitation/91.html>, prior to Oct. 26, 2012.

Safety-Kleen Benchtop Parts Washer (Model 14) brochure—<http://s-kstore.com/index.php/benchtop-parts-washer-model-14.html?SID=5f578bec8454> . . . , prior to Oct. 26, 2012.

Speedway 3.5 Gallon Portable Parts Washer brochure—North American Tool Industries—<http://northamericantoolindustries.com/speedway-3-5-gallon-portable-parts-washer.html>, prior to Oct. 26, 2012.

Well-Bilt 3 1/2 Gallon Portable Parts Washer brochure—Northern Tool—[http://www.northerntool.com/shop/tools/product\\_200381752\\_200381752](http://www.northerntool.com/shop/tools/product_200381752_200381752), prior to Oct. 26, 2012.

\* cited by examiner

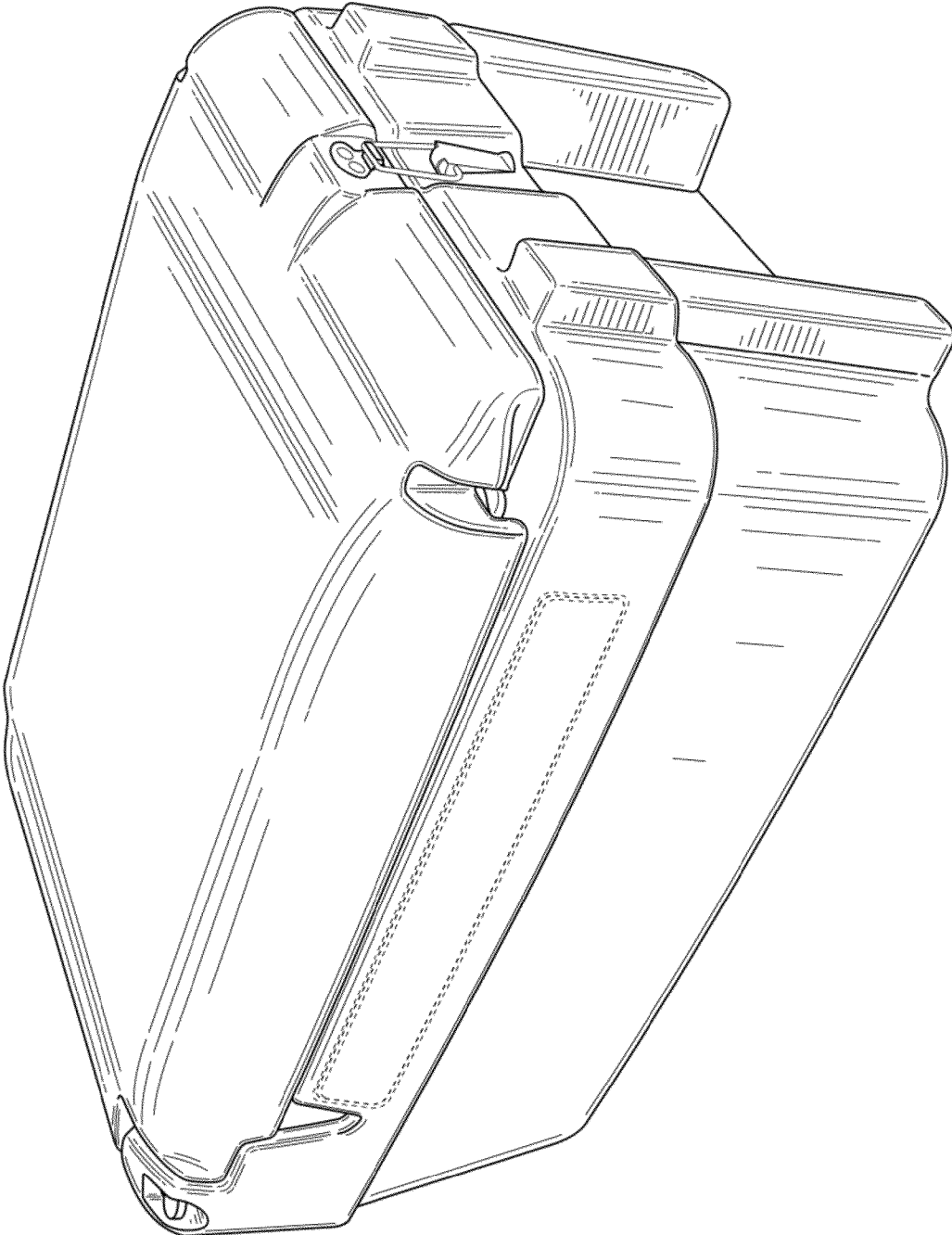


FIG. 1

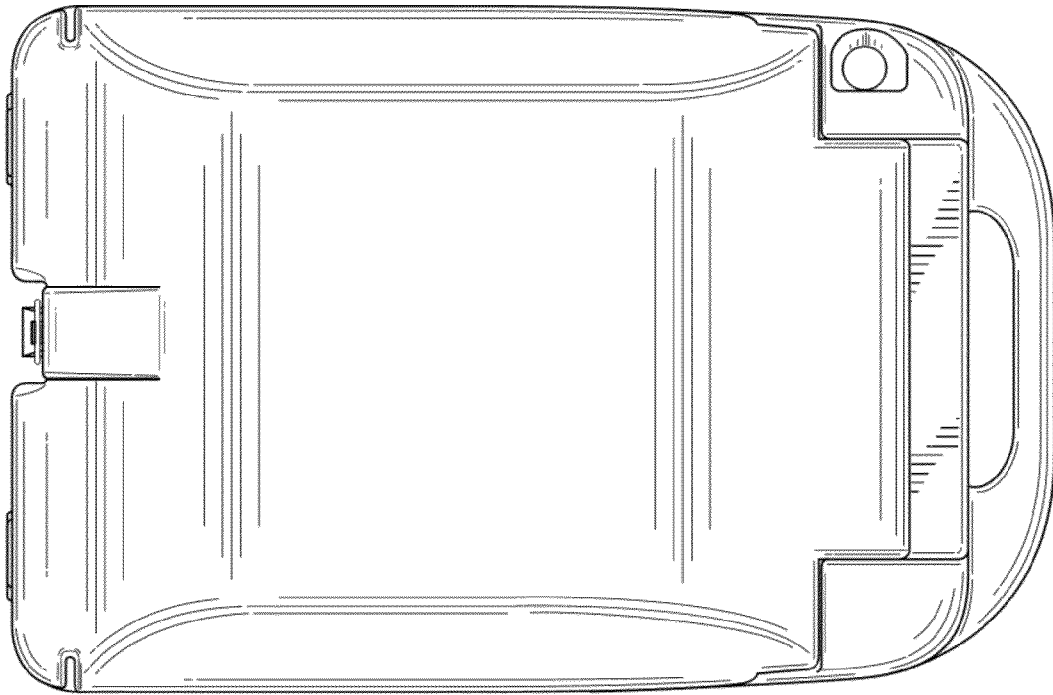


FIG. 2

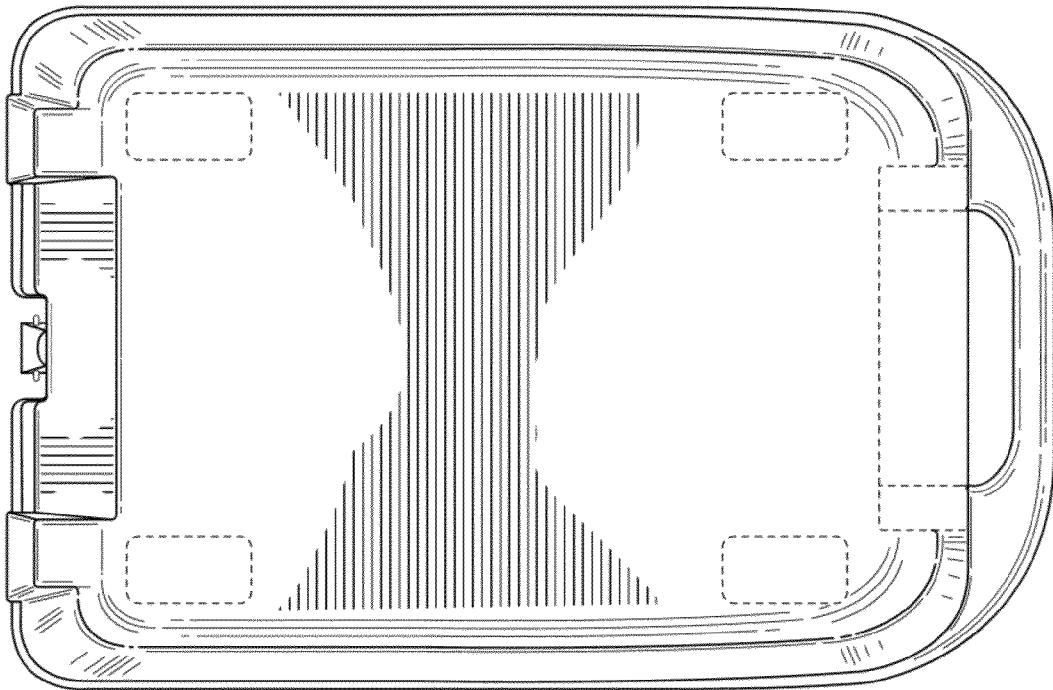


FIG. 3

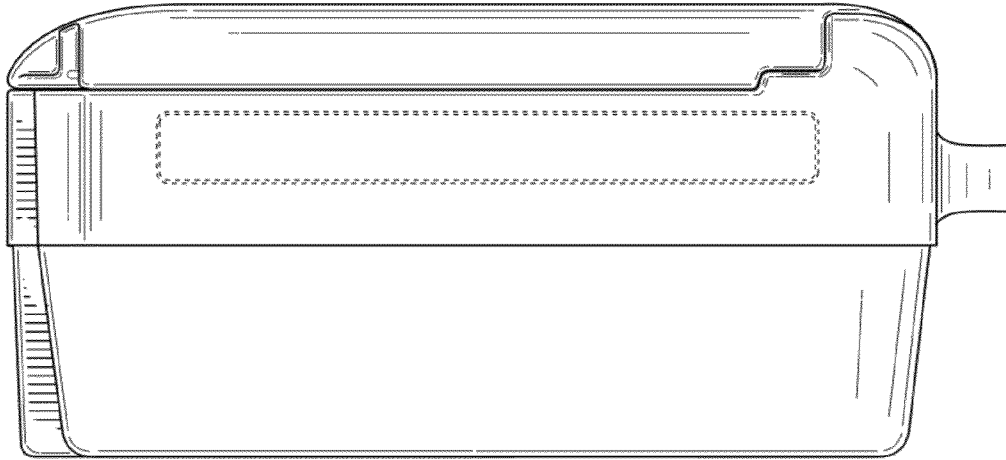


FIG. 4

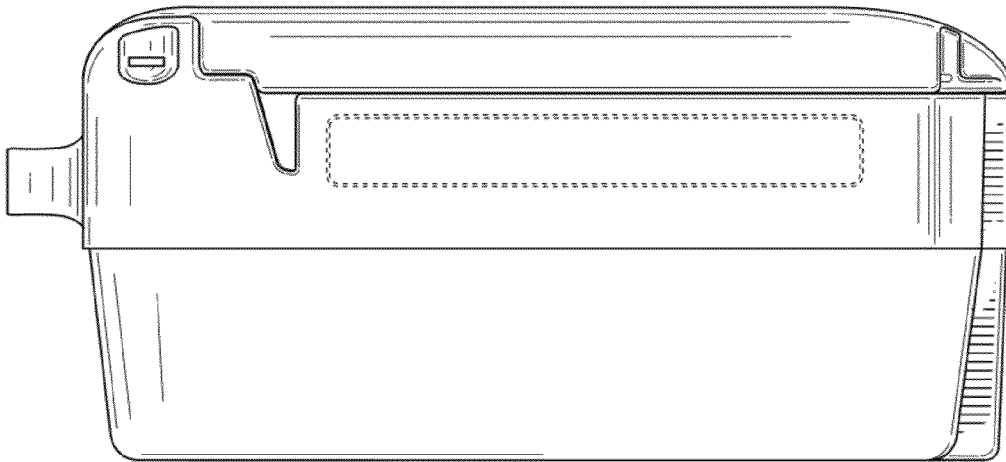
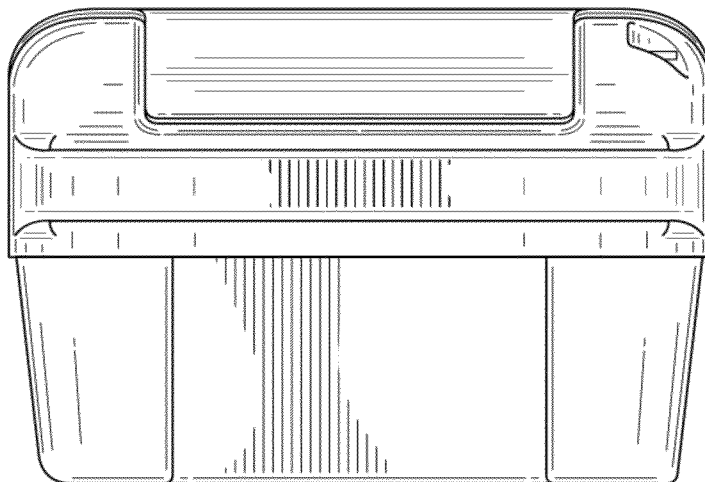
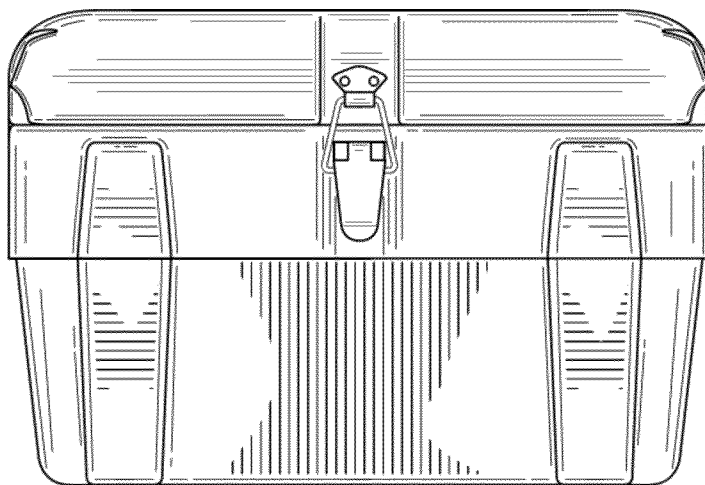


FIG. 5



**FIG. 6**



**FIG. 7**

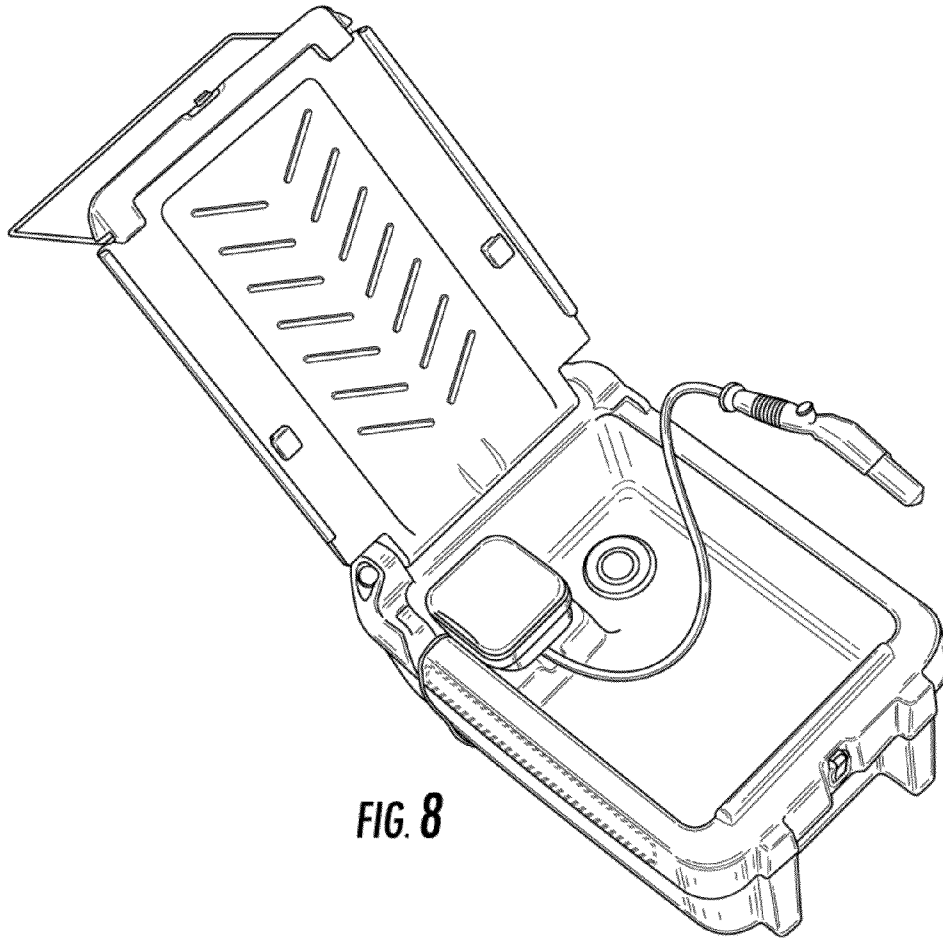


FIG. 8

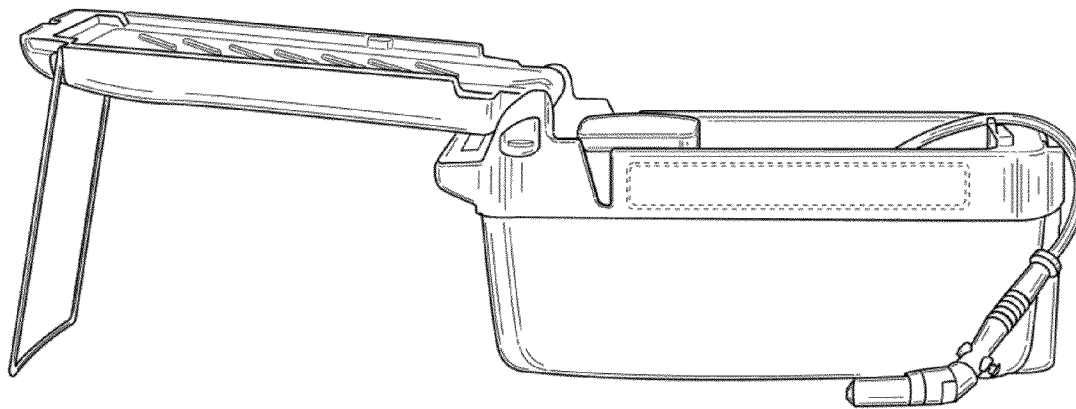


FIG. 9