



US00D724347S

(12) **United States Design Patent**  
**Jakku**

(10) **Patent No.:** **US D724,347 S**

(45) **Date of Patent:** **\*\* Mar. 17, 2015**

(54) **SHELF ASSEMBLY**

(71) Applicant: **Tero Jakku**, Lieksa (FI)

(72) Inventor: **Tero Jakku**, Lieksa (FI)

(73) Assignee: **Vault Finland Oy**, Tuusula (FI)

(\*\*) Term: **14 Years**

(21) Appl. No.: **29/489,721**

(22) Filed: **May 2, 2014**

(30) **Foreign Application Priority Data**

Nov. 4, 2013 (EM) ..... 002337733

(51) **LOC (10) Cl.** ..... **06-04**

(52) **U.S. Cl.**

USPC ..... **D6/570**

(58) **Field of Classification Search**

USPC ..... D6/515, 553, 564, 569, 570, 574, 629,  
D6/462, 468, 567, 519, 478, 479;  
108/28-29; 211/11, 13.1, 42, 71.01,  
211/86.01, 88.01, 88.03, 90.01, 126.1,  
211/133.5, 134, 153, 182; 248/235, 309.1

See application file for complete search history.

(56) **References Cited**

U.S. PATENT DOCUMENTS

D267,744 S *	1/1983 Flynn .....	D6/574
D332,716 S *	1/1993 Wolfe, III .....	D6/570
D332,972 S *	2/1993 Lott .....	D6/569
D366,584 S *	1/1996 Ellis .....	D6/570
D462,216 S *	9/2002 Jablonski .....	D6/574
D547,585 S *	7/2007 Netto et al. ....	D6/574
D555,962 S *	11/2007 Goth .....	D6/570
D591,095 S *	4/2009 Zasloff .....	D6/574

\* cited by examiner

*Primary Examiner* — Brian N Vinson

(74) *Attorney, Agent, or Firm* — Klauber & Jackson LLC

(57) **CLAIM**

The ornamental design for a shelf assembly, as shown and described.

**DESCRIPTION**

FIG. 1 is a perspective view showing the top, front and right side of the shelf assembly of my new design;

FIG. 2 is a front view thereof;

FIG. 3 is a rear view thereof;

FIG. 4 is a right side view thereof;

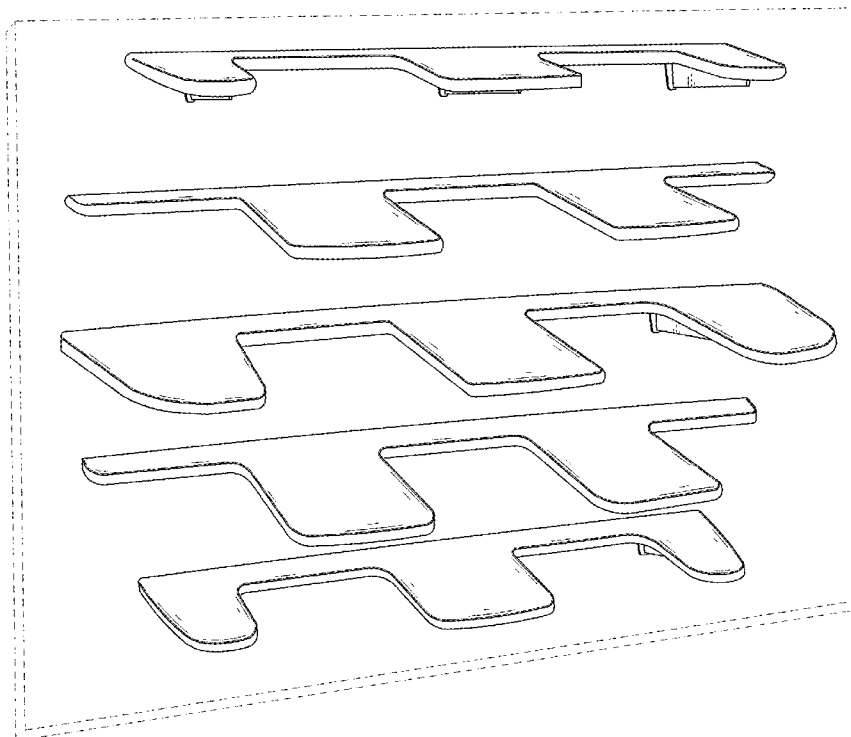
FIG. 5 is a left side view thereof;

FIG. 6 is a top view thereof; and,

FIG. 7 is a bottom view thereof.

The vertical surface on which the shelf assembly is depicted as being mounted, is shown in dotted lines and forms no part of the claimed design.

**1 Claim, 5 Drawing Sheets**



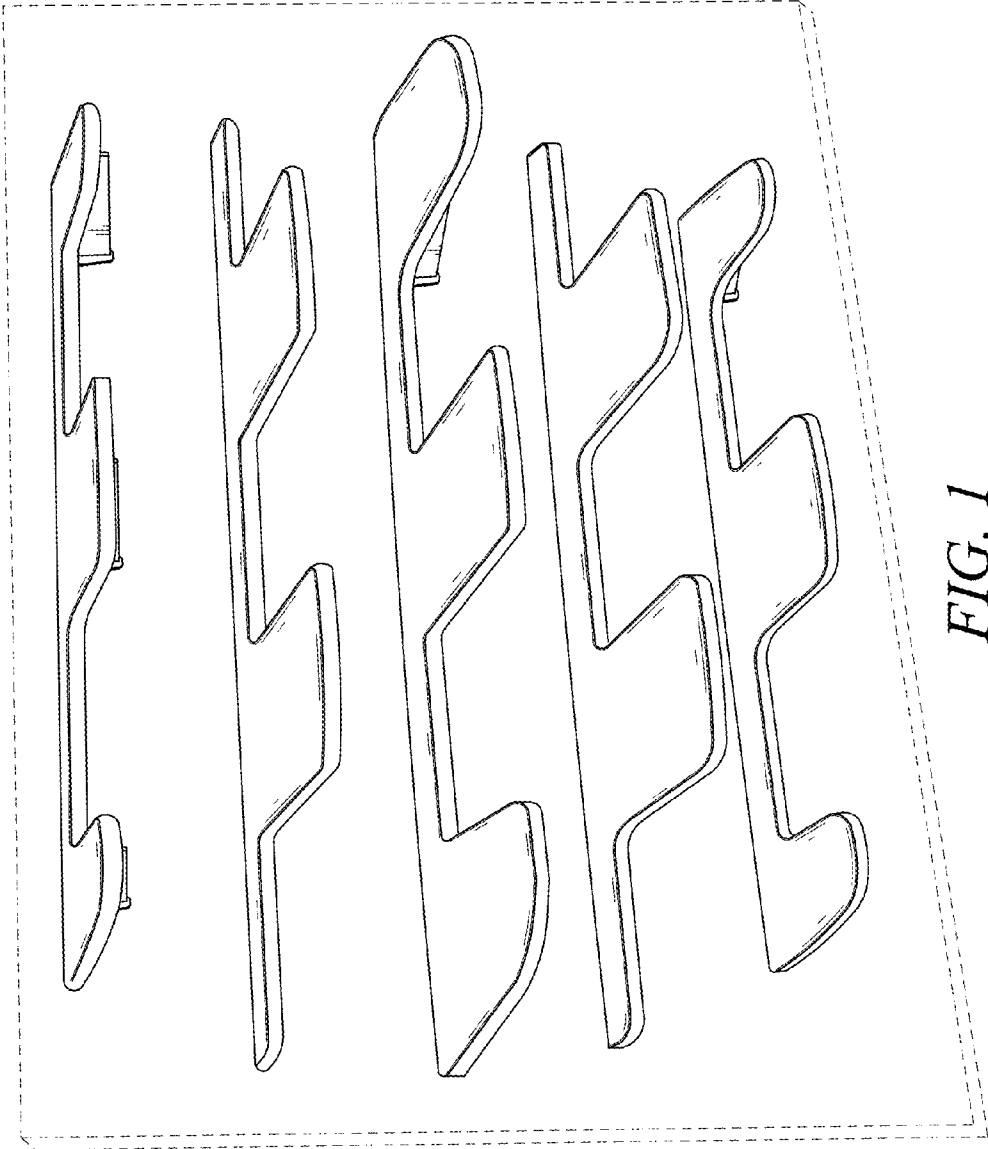


FIG. 1

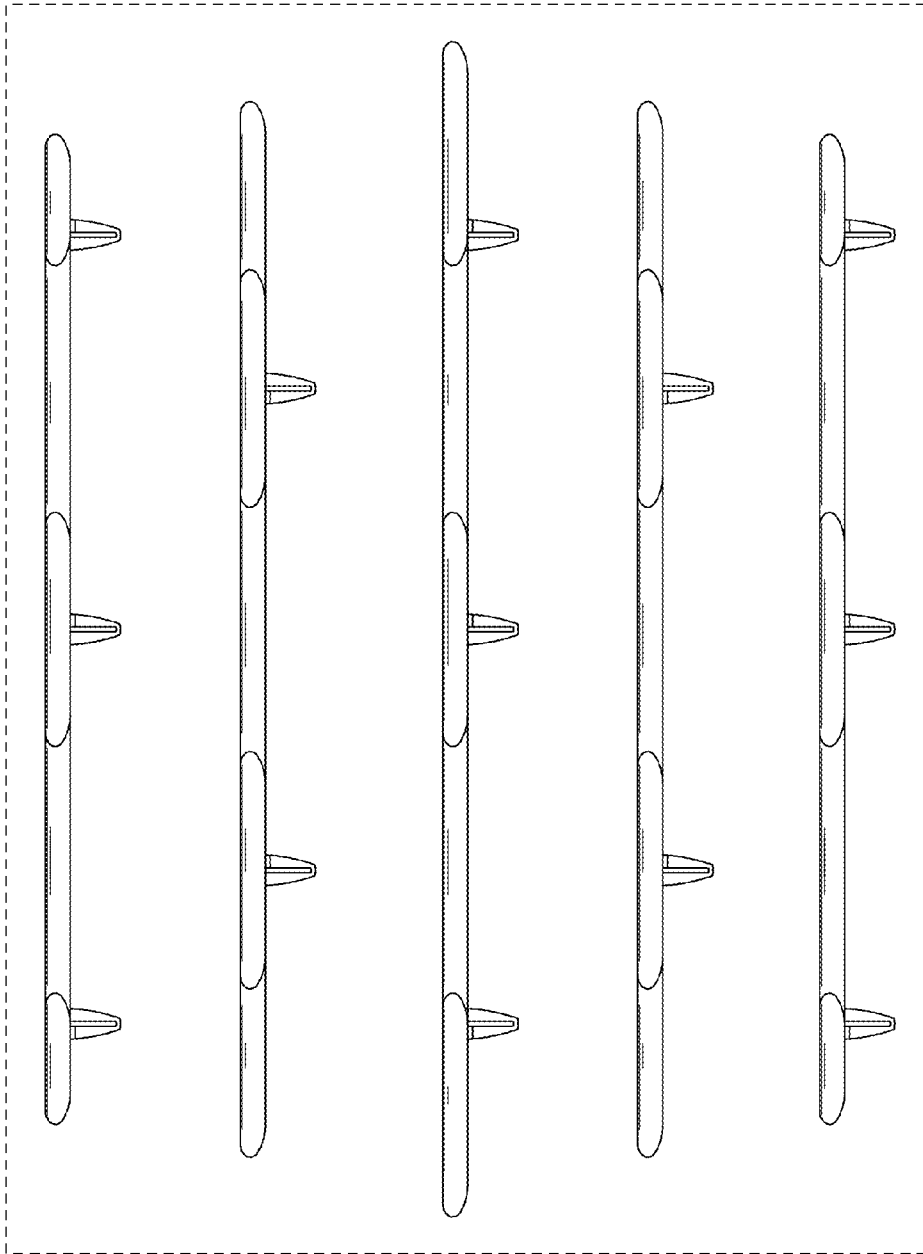


FIG. 2

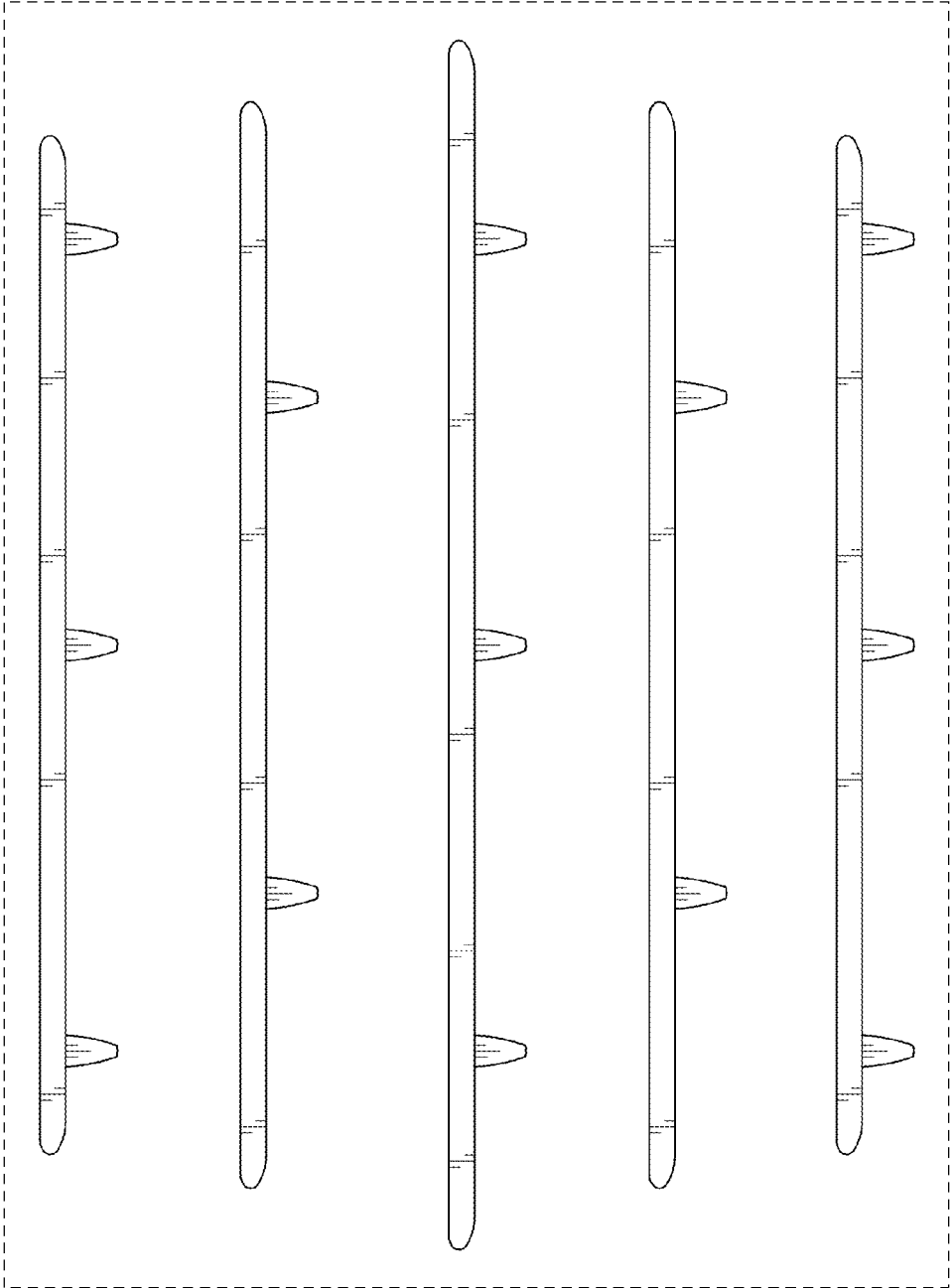


FIG. 3

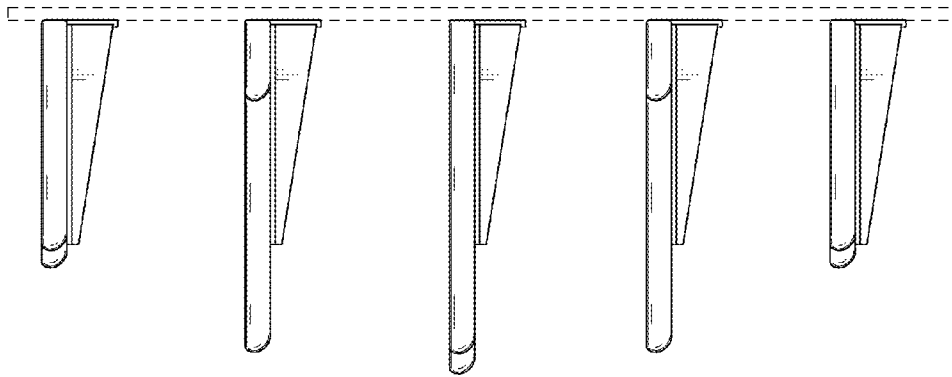


FIG. 5

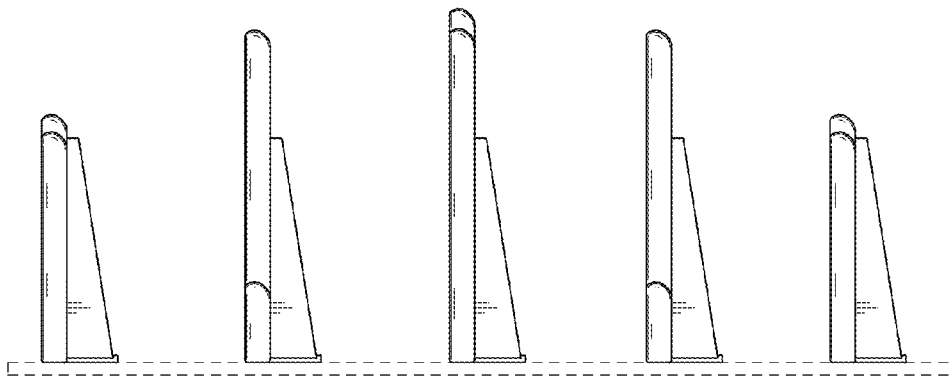


FIG. 4

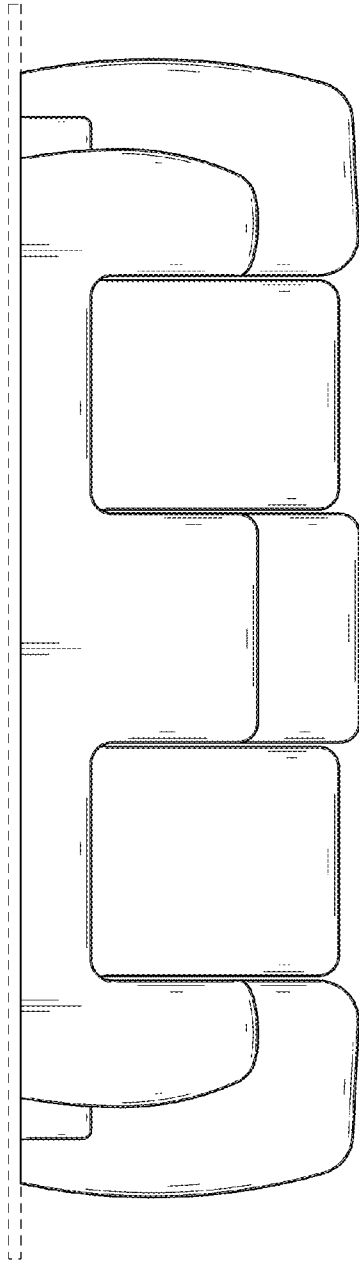


FIG. 6

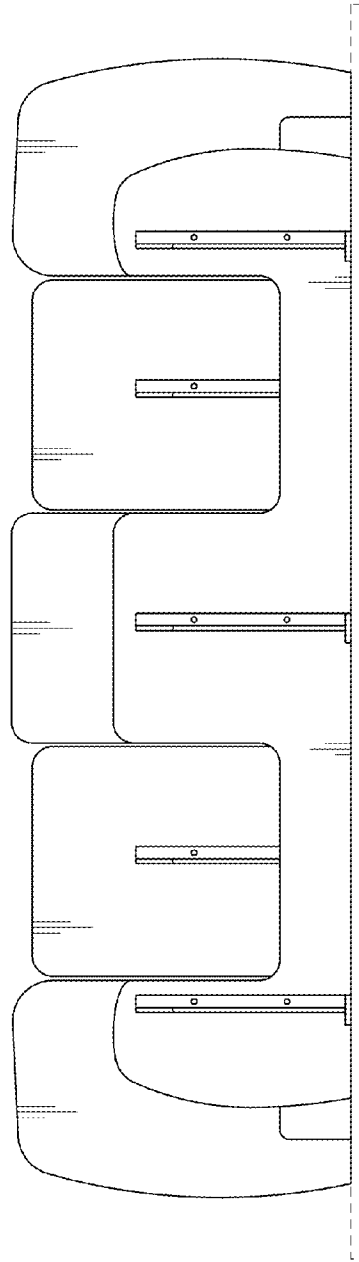


FIG. 7