



US00D548359S

(12) **United States Design Patent** (10) **Patent No.:** **US D548,359 S**  
**Illein et al.** (45) **Date of Patent:** **\*\* Aug. 7, 2007**

(54) **DIAGNOSTIC TEST DEVICE WITH REMOVABLE OVERCAP**

(75) Inventors: **Gary Illein**, Hillsborough, NJ (US);  
**John DePiano**, Burlington, MA (US);  
**David Chesley**, Duxbury, MA (US);  
**Albert R. Nazareth**, Mercerville, NJ (US)

(73) Assignee: **Church & Dwight Co., Inc.**, Princeton, NJ (US)

(\*\*) Term: **14 Years**

(21) Appl. No.: **29/239,370**

(22) Filed: **Sep. 29, 2005**

(51) **LOC (8) Cl.** ..... **24-02**

(52) **U.S. Cl.** ..... **D24/223**

(58) **Field of Classification Search** ..... D24/223-225, D24/216, 186; D10/81; 422/55-58, 99, 422/102, 104, 68.1, 82.5; 436/514, 805, 436/808, 806, 809, 810, 164, 168, 169, 170; 435/810, 675, 970, 969, 287.2, 297.3, 288.3, 435/288.4, 288.5, 806

See application file for complete search history.

(56) **References Cited**

**U.S. PATENT DOCUMENTS**

D348,522 S	7/1994	Groothuizen
D365,998 S	1/1996	Groothuizen et al.
D367,236 S	2/1996	Groothuizen et al.
D379,662 S	6/1997	Pearson et al.
D379,663 S	6/1997	Pearson et al.

D394,317 S	5/1998	Carp	
6,080,118 A	6/2000	Blythe	
6,352,862 B1	3/2002	Davis et al.	
D491,274 S	6/2004	Dubniczki et al.	
D497,673 S	10/2004	Long	
D497,999 S	11/2004	Long	
D499,813 S	12/2004	Wu	
D509,901 S	9/2005	Phelan et al.	
D511,574 S	11/2005	Wendling	
D512,156 S	11/2005	Wendling	
D530,825 S *	10/2006	Lee et al.	D24/223
D531,735 S *	11/2006	Lee et al.	D24/223
D536,798 S *	2/2007	Lee et al.	D24/223

\* cited by examiner

*Primary Examiner*—Antoine D. Davis

(74) *Attorney, Agent, or Firm*—Frenkel & Associates

(57) **CLAIM**

The ornamental design for diagnostic test device with removable overcap, as shown and described.

**DESCRIPTION**

FIG. 1 is a front, top, left side perspective view of our diagnostic test device, with the cap removed, showing our new design;

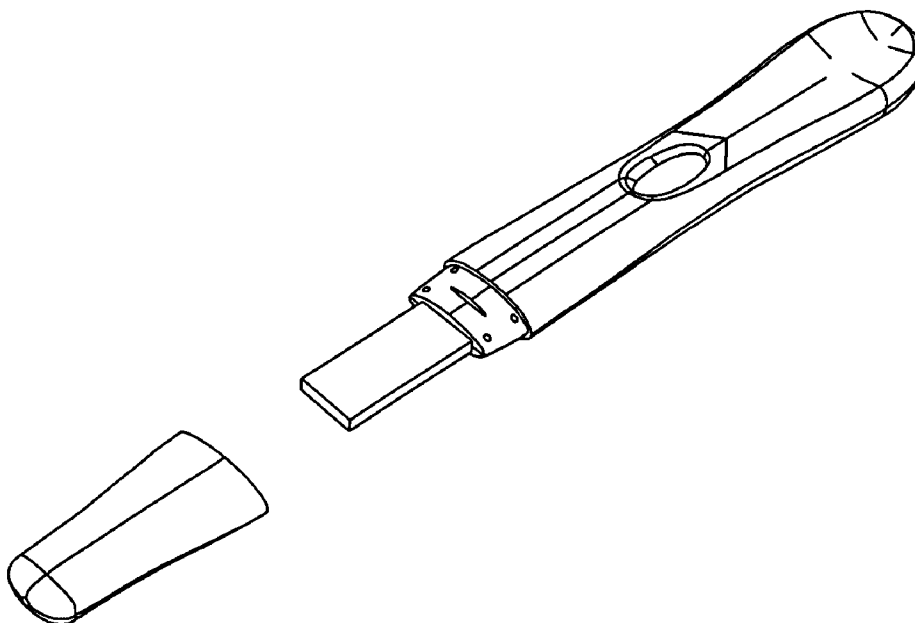
FIG. 2 is a front, top, left side perspective view thereof with the cap installed;

FIG. 3 is a top plan view thereof;

FIG. 4 is a bottom plan view thereof; and,

FIG. 5 is a left side elevational view thereof.

**1 Claim, 2 Drawing Sheets**



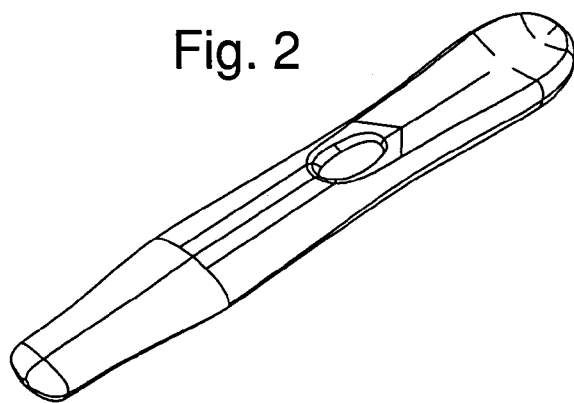
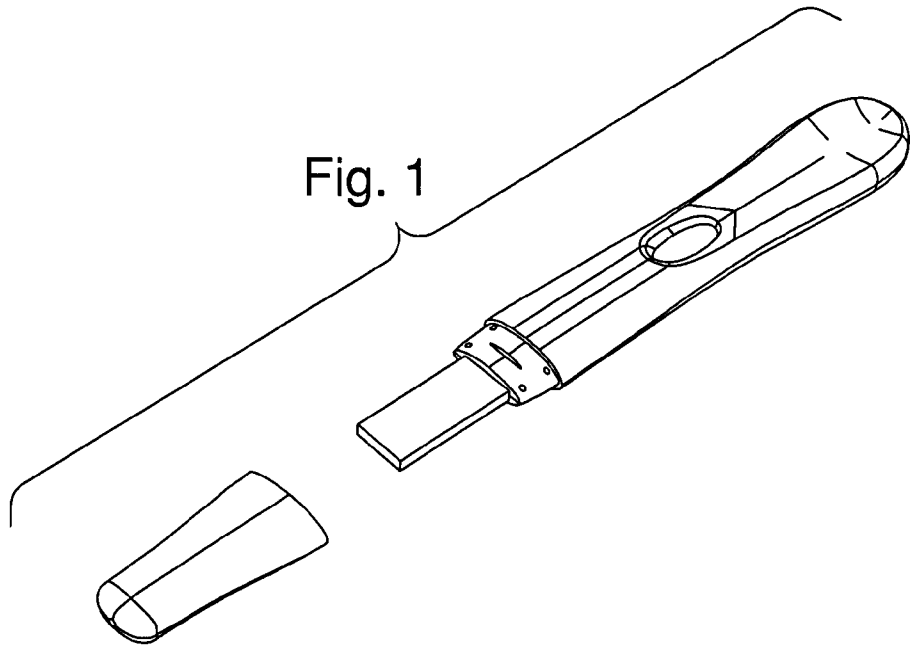


Fig. 3

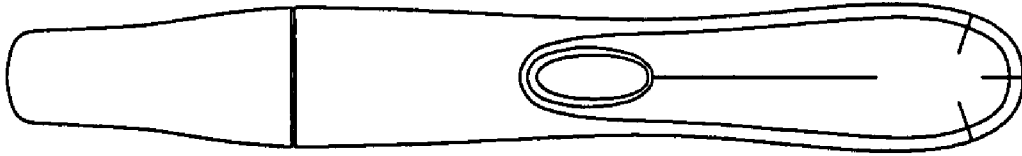


Fig. 4

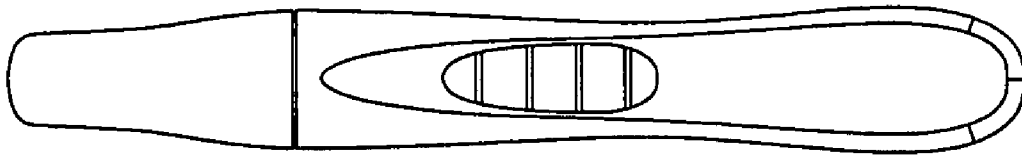


Fig. 5

