

(19) World Intellectual Property Organization
International Bureau



(43) International Publication Date
10 May 2001 (10.05.2001)

PCT

(10) International Publication Number
WO 01/32320 A1

(51) International Patent Classification⁷: B05D 1/40, 3/06, 5/00, B32B 3/12, 3/14, 25/20, 25/04

(21) International Application Number: PCT/US00/29990

(22) International Filing Date: 30 October 2000 (30.10.2000)

(25) Filing Language: English

(26) Publication Language: English

(30) Priority Data:
60/162,349 29 October 1999 (29.10.1999) US

(71) Applicants (for all designated States except US): AVERY DENNISON CORPORATION [US/US]; 150 North Orange Grove Boulevard, Pasadena, CA 91103 (US). GENERAL ELECTRIC COMPANY [US/US]; 1 River Road, Schenectady, NY 12345 (US).

(71) Applicants and

(72) Inventors: AKHAVE, Jay, R. [US/US]; 845 Pomello Drive, Claremont, CA 91711 (US). SAUNDERS, Dennis, L. [US/US]; 2059 Paseo Ambar, San Dimas, CA 91773 (US).

(72) Inventors; and

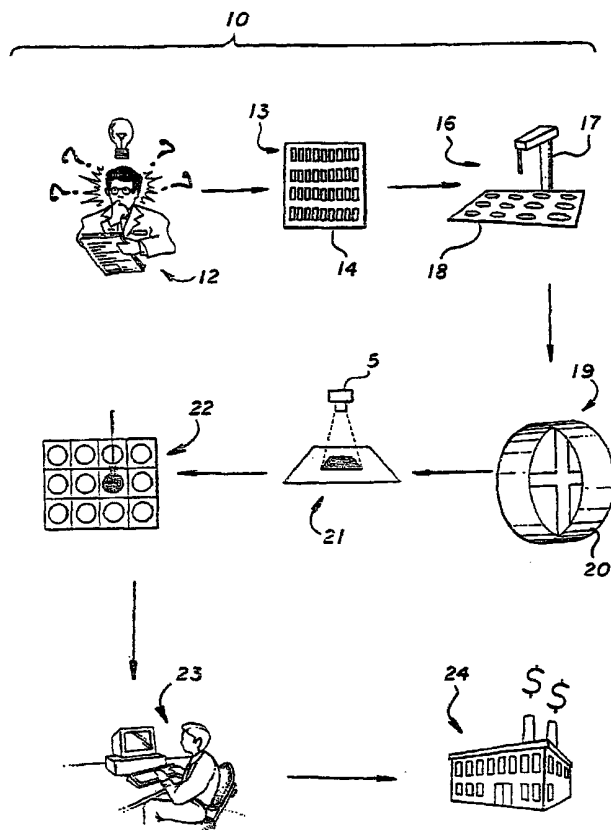
(75) Inventors/Applicants (for US only): POTYRAILO, Radislav, Alexanrovich [UA/US]; 5 County Clare Lane, Niskayuna, NY 12305 (US). OLSON, Daniel, Robert [US/US]; 1 Crescent Court, Voorheesville, NY 12186 (US). FLANAGAN, William, Patrick [US/US]; 952 Riverview Road, Rexford, NY 12148 (US).

(74) Agent: ROSE, Alan, C.; Oppenheimer Wolff & Donnelly LLP, Suite 3800, 2029 Century Park East, Los Angeles, CA 90067 (US).

(81) Designated States (national): AE, AG, AL, AM, AT, AU, AZ, BA, BB, BG, BR, BY, BZ, CA, CH, CN, CR, CU, CZ,

[Continued on next page]

(54) Title: AN IMPROVED COMBINATORIAL TESTING METHOD AND APPARATUS FOR COAT MATERIAL FORMULATIONS AND METHODS



(57) Abstract: A method of developing a new coating with desired performance characteristics (12), includes: (a) providing (13) an array of coating wells (14), each well configured for receiving a coating material having a known parameter; (b) placing (16) via an automated device (17) a coating material having the known parameter in each well (18), varying the parameter values in a plurality of wells; (c) correlating the value of the parameter for the coatings deposited in each of the wells with the position of the well in the array; (d) applying (19) a coating leveling force to the array to level the material in the wells via centrifuge (20), and optionally drying; (e) testing the coatings in the array to analyze (21) by detectors (5) the relationship between the position in the array and performance with regard to the property whereby the value of the parameter can be correlated (22) to the property performance, and the results entered in database (23), for selection for production (24). This screening method results in a substantial increase in the discovery rate of new coating materials.



WO 01/32320 A1



DE, DK, DM, DZ, EE, ES, FI, GB, GD, GE, GH, GM, HR, HU, ID, IL, IN, IS, JP, KE, KG, KP, KR, KZ, LC, LK, LR, LS, LT, LU, LV, MA, MD, MG, MK, MN, MW, MX, MZ, NO, NZ, PL, PT, RO, RU, SD, SE, SG, SI, SK, SL, TJ, TM, TR, TT, TZ, UA, UG, US, UZ, VN, YU, ZA, ZW.

IT, LU, MC, NL, PT, SE), OAPI patent (BF, BJ, CF, CG, CI, CM, GA, GN, GW, ML, MR, NE, SN, TD, TG).

Published:

— *With international search report.*

(84) Designated States (regional): ARIPO patent (GH, GM, KE, LS, MW, MZ, SD, SL, SZ, TZ, UG, ZW), Eurasian patent (AM, AZ, BY, KG, KZ, MD, RU, TJ, TM), European patent (AT, BE, CH, CY, DE, DK, ES, FI, FR, GB, GR, IE,

For two-letter codes and other abbreviations, refer to the "Guidance Notes on Codes and Abbreviations" appearing at the beginning of each regular issue of the PCT Gazette.

**An Improved Combinatorial Testing Method and Apparatus for Coat Material
Formulations and Methods**

Related Patent Application

5 This application claims priority from prior U. S. Provisional Patent Application Serial Number 60/162,349 filed October 29, 1999, the disclosure of which is hereby incorporated by reference.

Background:

10 1. Field of the invention:

The invention relates generally to methods and apparatus for identification and optimization of coating materials and properties for desired applications. More specifically, the invention relates to an improved process of creating coatings, involving identifying candidate materials and screening and optimizing formulations and coating parameters for desired
15 applications.

2. Description of related art

Development of coating materials, for example adhesive coatings, release coats, protective coatings, and the like as well as films and laminate constructions of layered materials,
20 has conventionally been a time consuming and labor intensive process. Candidate materials are identified primarily based on knowledge and experience with what compositions have worked before in related applications and investigating like materials and combinations of materials. This usually involves preparing a coating formulation, preparing a test coating for evaluation (often involving several tries to attain the desired parameters such as coat weight, cure, etc. for
25 evaluation), drying or otherwise curing the coating, then evaluating the coating by testing the property of interest, such as permeability, tack, shear and bending strength, surface roughness, etc., and entering the results in a database for comparison with further coatings to be developed and tested. Problems of cross-contamination and holdover further limit the number of
30 formulations that can be screened in a given time period. This is a time-consuming process and as a result one skilled in the art, even with support staff to assist and carry on tasks in parallel, has conventionally been able to screen at most a few coatings per day, most often only one or two.

Because of the lengthy time required to screen and then investigate candidate materials and associated coating application parameter values to select and optimize coatings, those skilled

in the art generally must focus on families of materials known to possess properties likely to prove successful in the intended use. Investigation of unconventional or simply previously untried materials is usually limited. Moreover, development of coating materials for a particular application is also a time-consuming process, and development of new coatings, while potentially beneficial, sometimes cannot be pursued due to economic considerations arising out of the time and effort involved.

Requisite in the development of new coating materials is the use of a particular coating method as well as consideration of holdover or carryover effects. Holdover effects result in the contamination of one candidate coating material due to residual coating material remaining in the coat dispensing apparatus and/or coat-receiving substrate from a prior test coating material. Contamination as a result of holdover effects are generally additive and provide a level of error in coat formulation that is difficult to control. It is therefore preferable, especially when the volume of coating material to be tested is small, to use a coating method that either eliminates or significantly reduces holdover effects. Use of a disposable method for dispensing as well as receiving the test coat material would eliminate problems associated with holdover effects.

A variety of methods for coating desired substrates or materials are available and include spin coating, die coating and non-contact jet coating methods. Spin coating is a technique commonly used in the field of electronics where the coat material is dispensed onto a desired surface by centrifugal force (spinning). The coatweights resulting from this method are limited to very thin coatings and there is a significant loss of material during the coating process. In both the die coating and non-contact jet coating methods, die and jetting nozzle costs prohibit their modification to disposable units. Prior to the instant application, an inexpensive, efficient and disposable method for testing a large number of coating materials has not been known. While many significant advances in coating technology have been made in recent years, acceleration of the rate at which coating materials can be identified, screened, investigated and optimized will be recognized as a desirable goal by those skilled in the art.

Summary of the Invention

An object of the invention is to provide a multi-well apparatus for making arrays of coating materials. Such arrays are suitable for analysis and may comprise a disposable two-layer assembly where the first layer contains a plurality of wells and the second layer is a substrate layer. Both layers can be flexible, with the second or bottom layer being detachable from the overlying first layer. Such an apparatus can be made of disposable material, thus providing a cost-effective, efficient and reliable means of testing numerous formulations of coating material.

The invention also provides a method of developing a new coating having a desired performance characteristic with regard to a property of a coating, comprising: a) providing an array of coating wells, b) placing a coating material having the known parameter in each coating well, varying the parameter so as to provide a plurality of coatings having different parameter values in a plurality of coating wells; c) correlating the value of the parameter for the coatings deposited in each of the plurality of coating wells with the position of the coating well in the array, whereby a parameter value is associated with each coating well position in the array; d) applying a leveling force to the array of wells to level the coating material in the coating wells; and e) testing the coatings in the array to analyze the relationship between the position in the array and performance with regard to the property of the coating material, whereby the value of the parameter can be correlated to the performance of the coating with regard to the property of the coating. Optionally, the coatings in the array can be dried while the leveling force is applied. The above combinatorial, high-throughput method of screening candidate coat materials results in a significant increase in the discovery rate of new coating materials. In a preferred embodiment the leveling force may be provided by a centrifuge.

Further features, details, and advantages of the invention will be more apparent with reference to the following detailed description, taken in conjunction with the accompanying drawings, which illustrate, by way of example, principles of the invention.

Brief Description of the Drawings

FIG. 1 is a generic schematic of the combinatorial discovery process;

FIG. 2 is a perspective view of an example of a robotic dispenser usable in one embodiment of the invention;

FIG. 3 is a top view of an example of a well plate usable in one embodiment of the invention;

FIG. 4 is a perspective view of an example of a well plate having a removable well bottom, comprising a substrate to which sample coatings are applied, usable in one embodiment of the invention;

FIG. 5 is a perspective view of another example of a well plate having a removable well bottom comprising a substrate to which sample coatings are applied, usable in one embodiment of the invention;

FIG. 6 is a side view of a well plate having a curved bottom usable in one embodiment of the invention;

FIG. 7 is a side view of a flexible well plate having a removable top portion usable in one embodiment of the invention;

FIG. 8 is a side view of a well plate having a laminate construction usable in one embodiment of the invention;

5 FIG. 9 is a schematic diagram showing leveling of coating array materials by application of a leveling force and curing by hot air;

FIG. 10a is a perspective view of an example of a vertical centrifuge with a horizontal axis of rotation, usable in one embodiment of the invention;

10 FIG. 10b is a perspective view of an example of a centrifuge usable in another embodiment of the invention;

FIG. 11 is a perspective view of an example of a swing arm centrifuge rotor assembly usable in one embodiment of the invention, showing the assembly loaded with well plates;

FIG. 12 is a perspective view of an example of a 96-well plate usable in one embodiment of the invention;

15 FIG. 13 is a perspective view of a vertical centrifuge with an attached ultraviolet light source usable in one embodiment of the invention;

FIG. 14a is a schematic side view of the vertical centrifuge with an external ultraviolet light source and centrifuge mounted mirror; and

FIG. 14b is a schematic frontal view of a vertical centrifuge with mounted mirror.

20

Detailed Description of the Preferred Embodiments

In accordance with one aspect of the invention, it has been recognized that by using automation of certain development processes, miniaturization of samples to be tested, database development and manipulation, and using algorithms to identify candidate materials from information contained in databases, one can increase the number of coating materials that can be developed to meet identified needs. As used herein, the term "combinatorial" refers to the combined approach of high-throughput analysis of libraries consisting of arrays of coat material formulations. Included in the high-throughput analysis are automated or robotic processing of the sample arrays.

30 Combinatorial methods have been used in the medical, pharmaceutical and biotechnology industries to develop chemical compositions, particularly pharmaceuticals and medicaments, for a number of years. However, these prior combinatorial methods have not been well suited to development of new coatings. Applicants herein provide techniques for generating arrays of coating formulations, well suited to the application of combinatorial chemistry methods. These

techniques allow new coatings to be screened and evaluated on a high throughput basis, in order to produce new coatings economically.

Combinatorial Approach

5 With reference to FIG. 1 of the drawings, which are given by way of example, and not by way of limitation, a system 10 in accordance with principles of the invention comprises a method of developing new coatings by means of a combinatorial approach. A first step 12 is to define what end result coating is desired, and what characteristics and qualities such a coating will have. To achieve the desired result, a new material, or a new construction of several materials, such as
10 a laminate for example, comprising new and/or conventional materials combined in a novel way may be required.

At the outset it should be understood that combinatorial methods can be applied to both the process of creating coating materials by formulation or synthesis, and to creating coatings having particular parameters or desired characteristics.

15 Returning to consideration of one example of a combinatorial approach to coating development, the next step 13 is to select likely candidate materials. These can comprise formulations of generally dilute solutions of raw material ingredients 14 that are contemplated as likely elements or components that may provide a coating material with desired characteristics. In the next step 16 a material library of a few to a few hundred thousand, or more, chemical
20 combinations are formed and dispensed into an array of coating wells 18 using a robot or other automated device 17 to make a library or array of coating materials. Incidentally, the "libraries" may include the samples in a single array, or the samples may form a plurality of arrays, processed either concurrently or successively. The chemical combinations forming at least part of the library are then processed in parallel as indicated at reference numeral 19. Processing can
25 include exposing the coating array to a variety of processing variables such as heat, pressure and time as well as applied leveling forces to shape the resultant library or array of coat samples, as can be accomplished, for example, by a vertical centrifuge 20. In the next step 21 high throughput analysis is performed whereby the library is screened by detectors that quickly scan various properties of the coating materials. After the high throughput analysis, materials with the
30 desired properties are identified 22 with the results entered into a large database 23, allowing up to 25,000 variations of materials to be tested at one time. Each library is comprised of one or more arrays of variations of materials to be tested. Each individual site in an array will correspond to a specific formulation of a coat material, wherein the parameter or coat descriptor(s) of the material located at that site is known. Miniaturization of the sample size

facilitates processing and greatly saves cost and time thereby increasing efficiency and the rate of discovery. The end result is discovery and determination of the most successful new material(s) and the process or parameters used to produce the new materials. These materials are then selected for large scale production and commercialization 24.

5 The combinatorial approach to development and testing of novel coat materials greatly benefits from use of devices and apparatus that allow flat coating samples in the arrays or within wells in the arrays. Additional embodiments encompassing such devices and apparatus are included in the present invention and further described below.

10 When trying to coat one formulation after another in a rapid fashion, "holdover" considerations are important. As used herein, the term "holdover" is defined as the volume of material that is residual in a cavity after it is emptied and could contaminate the next batch of material deposited into the cavity. As volumes of the cavity get smaller, the potential for holdover increases. For example, tubes, pipette tips, material dispensers and such all have potential holdover volumes. The contamination is also a function of the rheological nature or
15 viscosity of the material that is deposited into the cavity. Holdover effects in traditional methods of developing coating materials greatly increases the level of error, compromising the identification of correct parameters of a new coat material. In the present invention, holdover and its contaminating effects are eliminated by use of a disposable dispensing device 25 (FIG. 2) and a disposable substrate assembly (formatted as a multi-well apparatus) 26, both of which are
20 further described below. As used herein, the term "substrate" is defined as any coat-receiving surface or material, or a substance upon which a sample coat material resides which allows the testing of that sample. A "substrate assembly" is a composite of materials formed into a unit or apparatus for holding a large number of different coating samples in an array format (FIG. 3). An "array format" as used herein, is a matrix format where the samples of coating material are
25 arranged as discrete coated areas 31 on a surface, such as a planar surface. For example, a 48-well coating array (FIG. 3) would have 48 discrete coated areas arranged as 6 rows 27 and 8 columns 28.

Multi-well Apparatus for Parallel Processing of a Material Library

30 An initial step in the development of a coating is to create the various mixed formulations to be placed in the wells in the array. In one embodiment of the present invention, such sample formulations can be mixed or prepared in a multi-well plate format (FIG. 3) with each individual well containing a unique, pre-defined formulation to be tested. A variety of types of commercially available multi-well plates suitable for use in the present invention can be used

(Millipore Corp., Polyfiltronics, VWR Scientific). Such multi-well plates can vary in size of plate dimension, size of well (outer circumference as well as well-depth), type of material used to construct the multi-well plate (for example, polystyrene or polypropylene, rigid plastic or flexible plastic). The biotechnology and pharmaceutical industry utilizes multi-well plates (generally 48-, 96- or 256-well plates) whose outer dimensions are standardized for use with robotic dispensers. Generally, standardized multi-well plates are rectangular, rigid, stackable plates with right edges of the top or lid portion being curved 29. The outside dimensions of a complete multi-well unit are approximately 5 x 3.25 inches. Such multi-well plates are suitable for use in the present invention. In general, the well size used should be of substantial volume so as to allow adequate robotic mixing of the required or needed amount of each formulation without drying up of the solutions contained in the wells. Robotic, automated mixing of the formulations can be achieved by utilizing commercially available positioning equipment, such as Asymtek's x,y,z. coordinate motion equipment. To this is attached a mixing apparatus that drives a microblade attachment. The microblade consists of mixing blades that when placed into the appropriate mixing well and spun by the mixing apparatus, mixes the components of the formulations. This microblade may be disposable or washed and reused. Preferably a well volume of .5 to 3 cubic centimeters in volume is contemplated for use in the present invention. The minimum quantity or volume of sample to be mixed in a "mother" wellplate will vary depending upon the desired coating thickness, domain size and formulation of the coating solution.

As used herein, a "mother" well plate is defined as a source well plate. For example, a 25 micron thick coating that is 1 cm² in domain size with a coating solution that is 50% solids, will require (1 cm² x 25 microns / 0.5) volume units or 0.0050 cc of solution. "Domain size" as used herein, refers to the minimum area required for the coated sample as determined by downstream testing. The appropriate volume of individual formulations from this mother well plate can then be dispensed to a sample or "daughter" well plate to make a coating with the desired domain size for subsequent analysis and data collection. It should be understood, that alternative embodiments include use of a single well plate as both the mother and daughter well plate. In such a case, the well plate into which the sample formulations are mixed will also serve as the well plate from which the coating materials will be tested. Again, considerations of desired coating thickness, domain size and formulation of coating solutions will be included in determination of minimum volume of well size required. Additional embodiments of well plate apparatus design will be discussed further below.

Automated Dispensing of Candidate Coat Materials for Testing

A disposable metering device can be used to dispense the formulations from a mother well plate to a daughter well plate. A robotic dispenser (available commercially for example, from Hamilton Zinser Packard) (FIG. 2) is one such device. Robotic dispensers allow for rapid and automated dispensing of a specified quantity of a large number of samples. The well plate format to be used for the daughter well plate will also depend on the domain size requirement of the coating. For example, a 6-, 12-, 24-, 48-, 96-, or 384- well plate format are commercially available formats which can be used in the present invention with the commercially available robotic dispensers. The robotic dispenser will have a platform area upon which the substrate well plates reside (FIG. 2; "A").

Alternatively, in the case where a single well plate is used as both the mother and daughter wellplate, a robotic device can also be used for mixing as well as dispensing component materials for the sample coating formulation to be tested. Such a device could have multiple dispensing units 30 from which specific and precise amount of an individual component is dispensed into a single well. The sample solution can be dispensed using disposable pipette tips 30b attached to the pipettors 30c. For example, a separate dispensing unit for each component can be used to dispense the appropriate amount of a respective component into a single sample well. Such a dispensing unit can be disposable which will allow rapid and accurate automation of the combinatorial method for formulating or synthesizing a new coating with elimination of holdup or contamination problems. Examples of disposable dispensing units include, polyethylene or other type of tubing and disposable pipette tips.

Alternative Designs of Multi-well Apparatus for Parallel Processing

Alternative embodiments of well plate design include providing a two-piece coating well apparatus having at least a substrate portion 32 and a multi-well or sample-containing template 34 which can be separated from one another (FIG. 4). Once leveled and cured, the coating material 36 is held by the substrate portion 32 of the assembly. This type of well plate assembly is designed such that the base substrate-portion (or bottom half of the assembly) 32 can be removed from the multi-well template portion 34 of the well plate assembly. Various embodiments of a well plate design having a removable bottom are contemplated and further described below. FIG. 5 shows an example of a multi-well plate depicting the array format useful in the invention. Coating material samples are placed within the apertured, multi-well template top 47. Such multi-well plates will form an array 41 or library format of the different formulations as discrete coated areas 40 on a planar substrate sheet 42. A multi-well plate with a

removable top or cover can also be used as a well plate assembly. An example of such a multi-well plate design is shown in FIG. 7. The well plate design can also include modifications to the well plate to prevent distribution of coating material onto the inner walls of the wells. For example, a release coating can be applied to the inner walls 43 of the wells to prevent any sample material from moving up and onto the well walls during application of a leveling force.

An additional embodiment of the present invention includes multi-well plates designed to obtain flat coatings in all of the wells of assembly. Current commercially available multi-well plates have a flat-bottom surface for the entire plate. This results in an uneven distribution of sample material in the wells located along the perimeter of the multi-well plate 68 when current swing arm type of centrifuge rotors 70 are used to apply a leveling force. FIG. 6 shows an example of a modified multi-well plate designed to obtain flat coatings in all of the wells. Such a well plate will have a curved base plate 44 where the curvature of this base is parallel to the circumference of the centrifuge rotor, or is curved so as to substantially match the curvature of the curvilinear path of the well plate during centrifugation. With a curved-bottom well plate 44, sample material or coating solutions in all of the wells, including perimeter wells 45, will be at the same distance from the spin axis of the centrifuge. Thus, coating material in all of the wells will have a flat distribution following centrifugation. The top view of such a multi-well plate can be as depicted in FIG. 5.

A flexible substrate and apertured well plate may be employed to provide a multi-well plate of curved configuration when mounted in a curved rotor of a centrifuge. This flexible, apertured well plate may be constructed of materials that provide a tight, non-slip seal when placed upon the flexible, lower substrate. When such material is utilized for the top, well-forming portion of the well plate apparatus, no adhesive is necessary to secure this top to bottom portions of the well plate assembly. The wells in which the coating samples are placed are leak-proof. Such an apertured well plate can be made of silicone rubber; and pressure sensitive adhesive is not required to sealingly attach the silicone well plate to the lower substrate surface.

A specialized laminate well plate construction is also envisioned as alternative embodiments of the present invention. FIG. 8 shows cross sectional views of a representative laminate multi-well plate assemblies. In one case, the assembly is made up of at least 4 layers and is shown in FIG.8. The top or first layer 46 corresponds to the multi-well or sample holding portion of the assembly. This layer need only be thick enough to provide a sufficient barrier between adjacent wells so that the dispensed coating material 50 does not cross contaminate adjacent samples. Where a very small amount of coating material 50 is to be tested, this layer need not be very thick and could be made of, for example, thin plastic, foam or paper with each

well formed of holes placed in linear, multiple rows to form an array pattern. Preferably, the top layer will be .01 to 1 mm, or 1 to 10 mm, or 1 to 5 cm in height. This top layer 46 can be coated with a Pressure Sensitive Adhesive (PSA) (not shown) to attach it to the substrate layer 48. This will also help to seal the wells so that cross-contamination of sample coating material from one well does not mix with its neighbors. The second layer is the substrate layer 48 and can be formed of a variety of materials, such as plastic, polymeric resin or paper, so long as it will hold the sample coating material 50 in a flattened manner. The second layer will preferably be 1 to 100 microns, or 1 to 10 mm, or 1 to 5 cm in thickness. The third layer is a Pressure Sensitive Adhesive layer (PSA) 52. The PSA layer 52 can be 5 to 30 μm , or .005 to .03 mm, or .0005 to .003 cm in thickness depending upon the type of adhesive and degree of adhesion desired. The fourth layer is a liner 54 coated with a release layer such as silicone, which can be removed or peeled away from the PSA layer 52 leaving the adhesive on the bottom of the substrate layer as the new bottom layer. This type of multi-well plate design is suitable for example, where the stickiness or tackiness of a coating material is to be tested. In such a case, it is desirable to have an array library which will remain stationary or adhere to a support surface by the PSA layer 52 while each individual coating sample is tested. Use of the PSA 52 on the layer 48 will allow the array library to remain stationary and not lift up during testing.

The of multi-well plates described above with coating samples placed within their wells can be covered. This covering may be comprised of different materials in order to vary the coating sample's exposure to the conditions within the centrifuge during centrifugation and curing. Samples may also be covered so that drying times may be varied, according to user preference. Such coverings can include paper or other materials. For example, Whatman filter paper of varying thickness can be utilized to vary the drying or curing time of coating samples in the multi-well plates.

25

Leveling Force

Once the different formulations are dispensed into a multi-well plate assembly 63, the coat formulations are made into flat coatings 64 within the wells by use of a leveling force. A "leveling force" as used herein, is defined as any force sufficient to cause a sample or coat material to distribute evenly and flatly onto a substrate. A leveling force will also remove any residual air bubbles present within the sample coat formulation. A variety of leveling forces are contemplated for use in the present invention including, for example, use of centrifugal force, use of a vacuum or negative pressure force, use of an electrostatic force, or use of a magnetic force. In the case where magnetic leveling force is used, the test coat formulation will contain

magnetic particles, powder, or a compound such as ferrite, that is responsive to a magnetic force. Use of a leveling force need not be limited to single-coat assessments. Where the processing of a multi-layer construction of coat material is desired, a leveling force can be repeatedly applied following dispensing of individual layers of a coat to be tested. The final array obtained will be a planar sheet containing discrete areas in a grid format of multi-layer coat formulations.

5 FIG. 10b shows an example of a centrifuge that can be used for applying a leveling force to a multi-well plate. Such swing arm-type centrifuges with multi-well plate holders (FIG. 11) are available commercially (for example, VWR Scientific, "MicroPlus GH 3.8 rotor centrifuge"). The rotor for use in such a centrifuge is designed so as to hold an even number of multi-well
10 plate assemblies. The multi-well plate assemblies 68 are loaded into the rotor 70 in an upright or horizontal position. During centrifugation, the plates are directed into a vertical position which then levels or flattens the sample formulations onto the substrate layer. After the formulations are dispensed in a multi-well plate assembly, the assembly is placed in a swing-arm centrifuge and the coatings are spun at controlled speeds so as to form a flat coating within each well 64.
15 For example, with a standard centrifuge, a 10-min. spin at 2000 rpm will be sufficient to evenly distribute the coat materials within each well. There is no loss of sample material with use of a swing-arm centrifuge.

FIG. 10a shows an example of a vertical "rotating drum" type centrifuge that has a horizontal axis of rotation, that can be used to apply a leveling force to a multi-well plate. In this
20 embodiment, a flexible multi-well plate is mounted in the bottom portion of the inner surface of the "drum" centrifuge. The inside surface of the "rotating drum" subjects all of the samples in the multi-well plate to the same forces during spinning, since in this configuration, the samples are equidistant to the force vectors generated by centrifugation. Utilizing this method, differences in the physical shape and profiles of the samples in the well-plate during
25 centrifugation are minimized. Additionally, centrifugation eliminates any meniscus in each well. If samples are cured during centrifugation, this method locks the spinning sample's non-meniscus containing profile, resulting in cured samples lacking a meniscus.

Additionally, the coating samples may be subjected to curing during their centrifugation. For example, a centrifuge which has been modified to hold circulating hot air or other gas which
30 will aid in the evaporation of carrier solvents in the coating formulations is also contemplated for use in the present invention and is diagrammed schematically in FIG. 9. The hot air 66 circulating over the formulations during centrifugation aids in the curing of the coating by heat or evaporation of volatiles or solvents.

Curing the coat samples during their centrifugation may also be achieved by exposing the samples to ultraviolet (UV) radiation, filament heaters as well as other methods. In the exemplary embodiment, shown in FIG. 13, a UV "crawler" 80 is mounted inside the drum portion 81 of the vertical centrifuge. This device emits a UV beam as wide as the sample array mounted on the inner rotating cylinder wall of the vertical centrifuge. In this example, the samples are intermittently exposed to the UV beam on each rotation while the "crawler" 81 is mounted at a position along the circumference of the centrifuge. One is able to vary the position of the UV emitting portion of the "crawler" so as to change the distance between the emission source positions and the coating samples thereby changing the intensity of the UV radiation that the sample experience during centrifugation. This variation may be used to alter curing parameters. Furthermore, more than one crawler may be mounted along the circumference of the centrifuge and emission may be switched on and off depending on the desired protocol. It is also contemplated, as shown in FIG 14a. and 14b (side and frontal views, respectively) that a mirror may be placed inside the "drum" 81 of the vertical centrifuge and the UV source 90 located externally with a reflector 92. If the mirror 85 is stationary, the samples 94 will be exposed to the reflected UV beam 96 intermittently during rotation, as described previously. The mirror may also be configured as to rotate with the drum, to direct UV beams at a stationary location on the "drum" wall where samples would be placed and receive continuous UV exposure. As those skilled in the art will appreciate, these mounting configurations may be adapted to mount other sources of radiation, such as microwave, infrared , filament heaters as well as others, either within the centrifuge or externally. This setup, combined with the fact that shape differences are minimized during centrifugation, provides a more uniform sample array for testing new coating formulas.

Centrifuges can also be modified so as to vary other additional parameters during the centrifugation and curing of coat samples. The centrifuges can be manufactured so as to have a tight, sealable, and enclosed atmosphere wherein samples undergoing centrifugation and curing are exposed to various atmospheres or gases such as nitrogen, for example. As those skilled in the art will appreciate, this allows one to vary the ambient conditions under which curing takes place, allowing another variable, atmosphere, to be tested. Additionally, ambient pressure inside such an apparatus may also be varied according to user preference. Applied vacuums, in addition to their effects on sample curing, will also result in more efficient spinning of the centrifuge rotors.

As with a centrifuge, devices used to provide alternative methods of applying a leveling force can also be modified so as to simultaneously cure the coat formulations. For example, an

apparatus utilizing a vacuum or electrostatic force as the leveling force can be modified to circulate hot air and include alternate arrangements for curing

High Throughput Analysis, Data Storage, Data Modeling and New Materials Discovery

5 The above methods provide an array 40 of coating materials with each site in the grid array containing a coat material having a known parameter which differs from parameter values of the materials contained on the other sites (FIG 1; step 16). With this array, the plurality of coating materials can each be tested for performance of each coating. Because the parameter value of the coating contained at each site is known, the value of a parameter associated with a
10 desired performance of a coating can be determined. All information obtained by this high throughput analysis screening a coat material library are then entered into a database. From this database identification of the most successful new coat materials and the parameters and descriptors used to produce them is achieved (FIG. 1, step 23). Such a database will also serve as a storage library to aid in the formulation of future parameters to characterize the coatings.

15

Example I

This example demonstrates the use of a multi-well plate combined with a centrifugal leveling force for estimation of coat weight of a sample coat material formulation. This example is intended to be representative of one embodiment of the invention, and not intended as limiting
20 the scope of the invention.

The emulsion polymer formulation used was S-2000. S-2000 is a nondispersable emulsion acrylic polymer manufactured by Avery Dennison Corporation, Pasadena CA in accordance with U.S. Patent No. 5,221,706. A 96-well plate obtained from Polytronics was
25 used as a daughter well plate. The well plate remained flat during centrifugation. Each well contained an equivalent sample material formulation for determination of coat weight.

Diameter of each well = 0.6 cm

Cross-section of each well = $3.14 \times 0.6 \text{ cm}^2 = 1.884 \text{ cm}^2$

30 Weight of coat material in E7 position of array = 0.0153 gm

Wet coat weight in E7 = $0.0153 / 0.0001884 = 81.21 \text{ gsm}$

% solids in wet solution = 52.1%

Dry coat weight in E7 = 42.3 gsm

Results:

The emulsion did not dry fast and remained opaque. Hence the need for higher temperature drying. Material in wells located on the perimeter wells did not level evenly. Coat material dispensed into the center wells were centered and evenly flattened in the horizontal direction. The uneven leveling observed in the perimeter wells is believed to be a result of the centrifugal force acting at an angle to the bottom of the well, unlike the preferred configuration of Fig. 6. By utilizing a flexible multi-well apparatus and placing the samples in a “rotating drum” type centrifuge (Fig.10a) leveling forces are evenly applied and uneven leveling of the samples is not observed.

This example demonstrates the utility of using a multi-well plate combined with a leveling force for high-throughput analysis of specific parameters or characteristics of coat material formulations in an individualized manner.

The invention has been described with reference to various specific and preferred embodiments and techniques. However, it should be understood that many variations and modifications may be made while remaining within the spirit and scope of the invention.

CLAIMS

1. An integrated method for the efficient preparation of sample coating formulations
5 comprising the steps of:
- (a) forming an array of well receptacles by placing upon a flexible substrate a flexible apertured sheet comprised of a rubber type material;
 - (b) formulating and applying sample coating formulations into said wells;
 - (c) covering said samples;
 - 10 (d) placing said array with said samples in an, airtight, "rotating drum" type centrifuge with a horizontal axis of rotation;
 - (e) varying the atmospheric conditions in said centrifuge;
 - (f) activating said centrifuge and subjecting said samples in said array to a centrifugal force wherein said force is perpendicular to the bottom of said well receptacles;
 - 15 (g) curing said samples in said well receptacles by exposure to ultraviolet light during centrifugation; and
 - (h) removing said apertured sheet leaving said cured samples upon said substrate;
- whereby a plurality of coating samples are efficiently and expeditiously provided in an array format for high throughput analysis, further facilitating and enhancing the rate at which
20 new coat formulations and curing parameters are discovered.
2. A method as defined in claim 1 wherein multilayer samples are formed by repeating steps (b) through (g) prior to step (h).
- 25 3. The flexible apertured sheet of claim 1 wherein said rubber type material is comprised of silicone.
4. A method as defined in claim 1 wherein said formulation and application of said samples into said wells is robotic and automated.
- 30 5. A method as defined in claim 1 wherein said covering of said samples is achieved by placing filter paper of various thickness over said samples in said well receptacles; whereby the curing times of said samples may be controlled.

6. A method as defined in claim 1 wherein nitrogen is utilized to change said centrifuge's atmospheric conditions.

7. A method of curing coating sample arrays by ultraviolet light exposure during centrifugation, comprising the steps of:

- (a) loading coating samples into an array of well receptacles;
- (b) placing said arrays into a centrifuge;
- (c) activating said centrifuge to flatten out said coating sample;
- (d) activating an ultraviolet light source to irradiate said samples;
- (e) curing said samples while inside said centrifuge; and
- (f) removing said apertured sheet leaving said cured samples upon said substrate;

whereby said samples are cured within said arrays under centrifugation, eliminating meniscus formation and providing improved and uniform coat samples for high throughput analysis.

8. A method as defined in claim 7 wherein said samples are covered during centrifugation and curing.

9. A method as defined in claim 7 wherein said source is internally disposed within said centrifuge.

10. A method as defined in claim 7 wherein said source is located externally of said centrifuge.

11. A method as defined in claim 9 wherein beams of said source are directed toward the mounting surface of said centrifuge upon which said samples are placed during centrifugation and curing.

12. A method of providing a plurality of coating samples comprising the steps of:
forming an array of receptacles by sealingly placing upon a substrate a flexible, apertured sheet comprised of a rubber type material;
loading said coating samples into said receptacles;
placing said receptacles into a centrifuge;
subjecting said samples to centrifugation and curing; and

detaching said apertured sheet from said substrate exposing said cured coating samples.

14. A method as defined in claim 12 wherein said substrate is formed of a flexible material.

5

15. A method as defined in claim 12 wherein said receptacles are formed solely of a substrate and an apertured silicone rubber sheet.

16. A method as defined in claim 12 wherein activation of said centrifuge flattens said samples in said receptacles by centrifugal force.

10

17. A multi-well apparatus for providing an array of coating material suitable for analysis of performance characteristics comprising:

15

an at least 2-layer assembly comprised of a top and a bottom layer, wherein the top layer is comprised of a rubber type material with a plurality of apertures;

the bottom layer comprises a substrate layer for receiving the coating material;

and

the bottom layer is flexible and detachable.

20

18. The apparatus of claim 17 wherein said top layer is comprised of an apertured silicone rubber sheet.

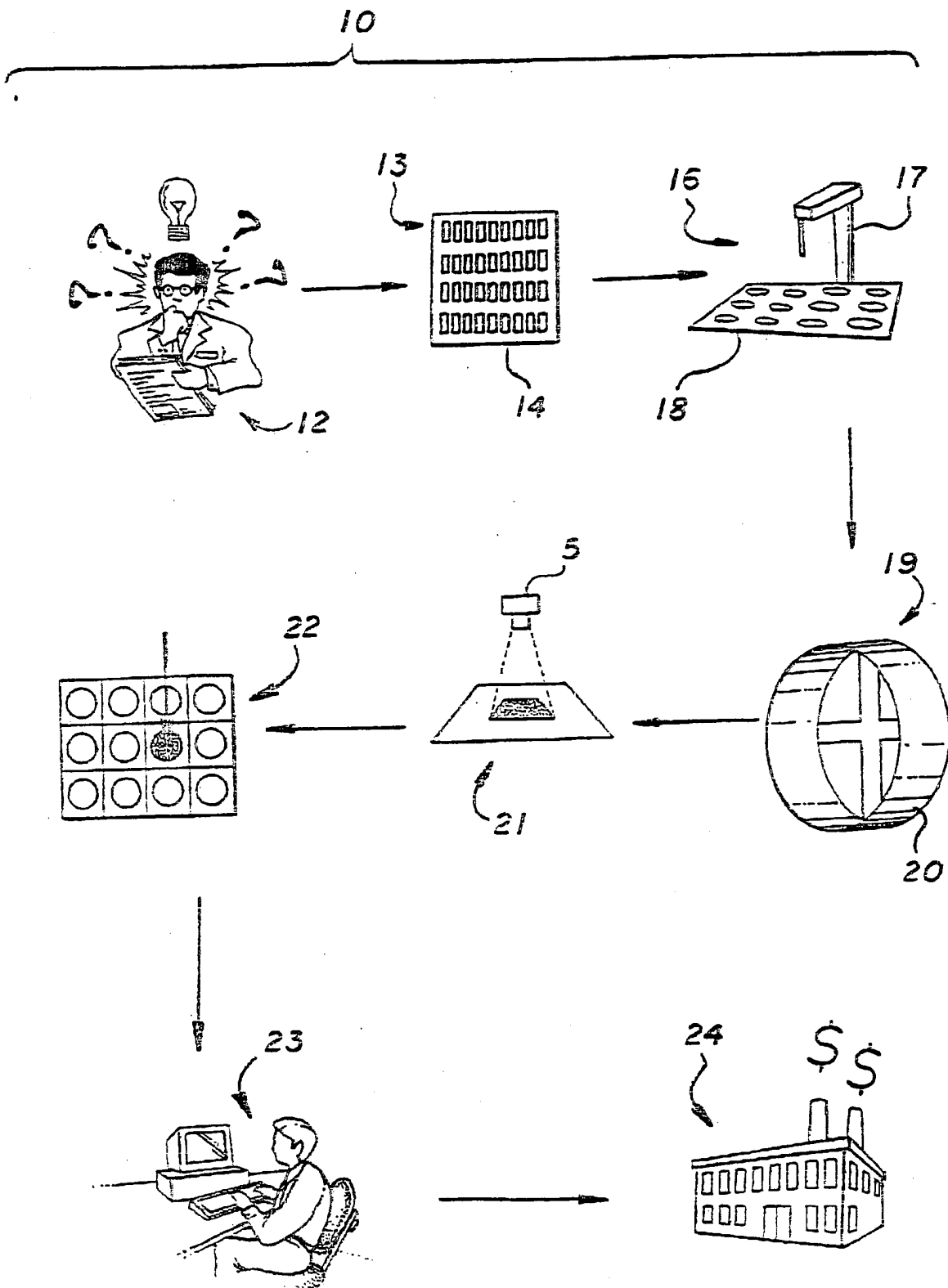


FIG. 1

FIG. 2

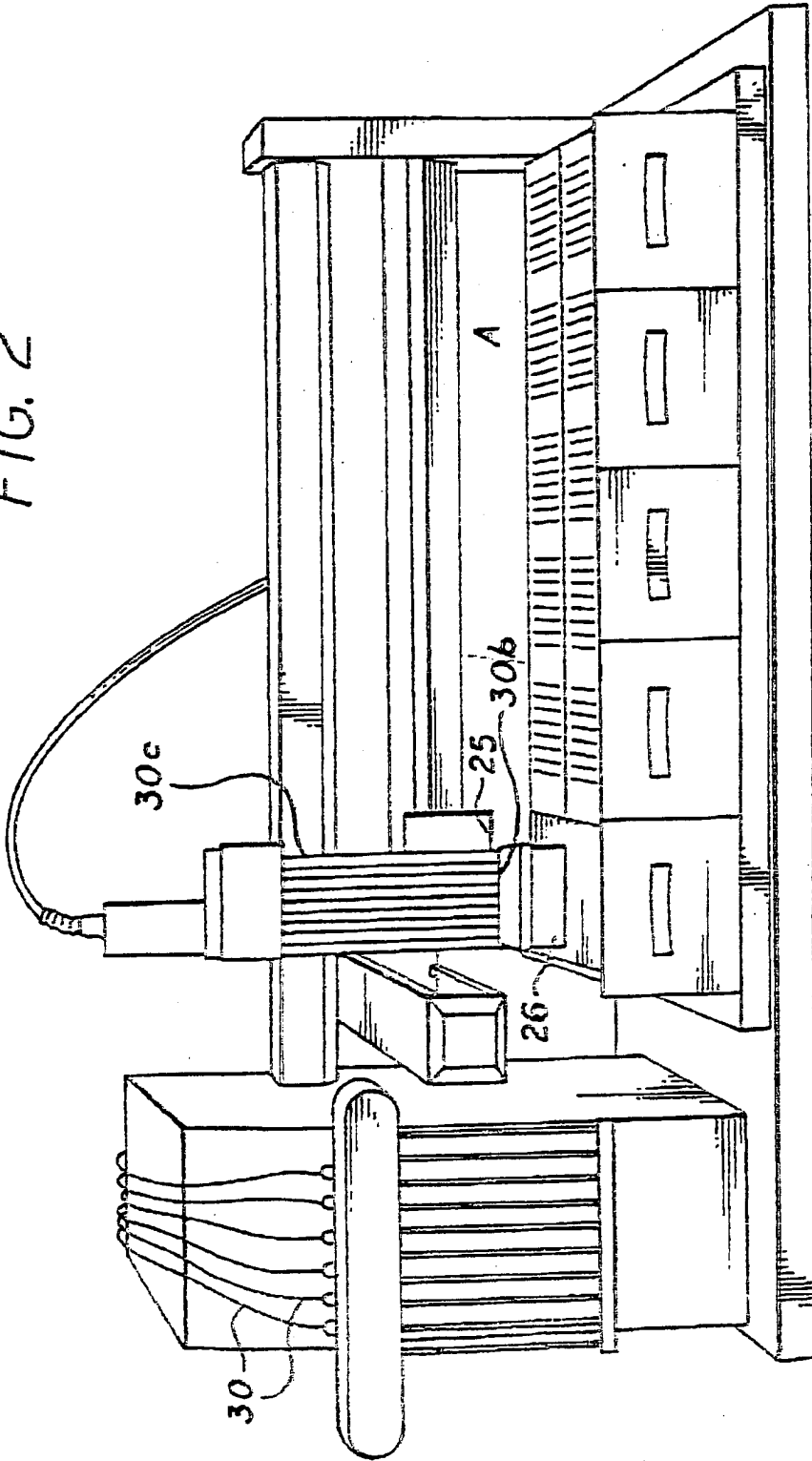


FIG. 3

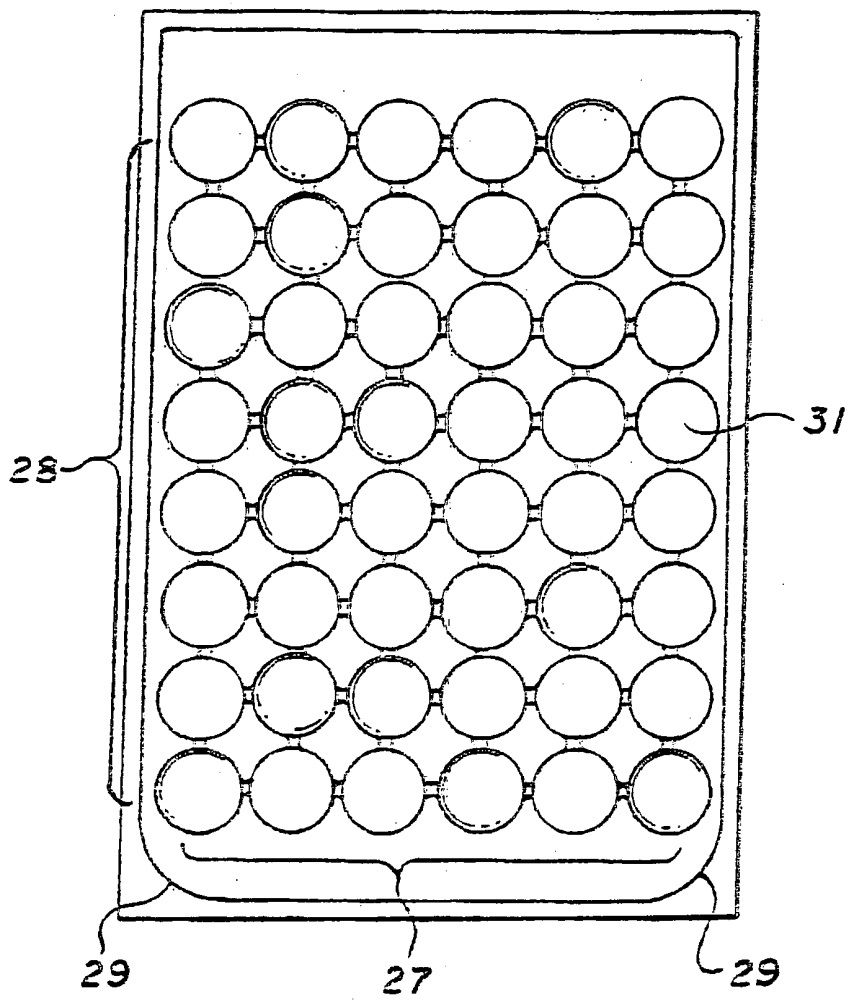


FIG. 4

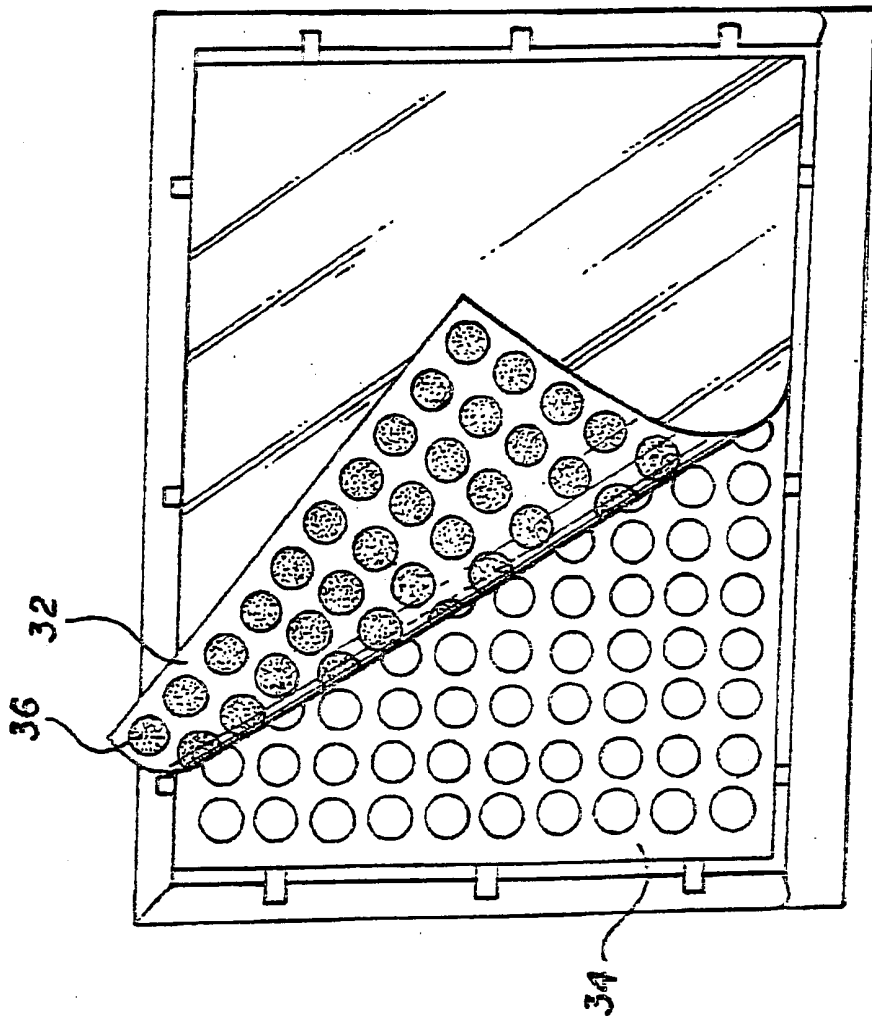


FIG. 5

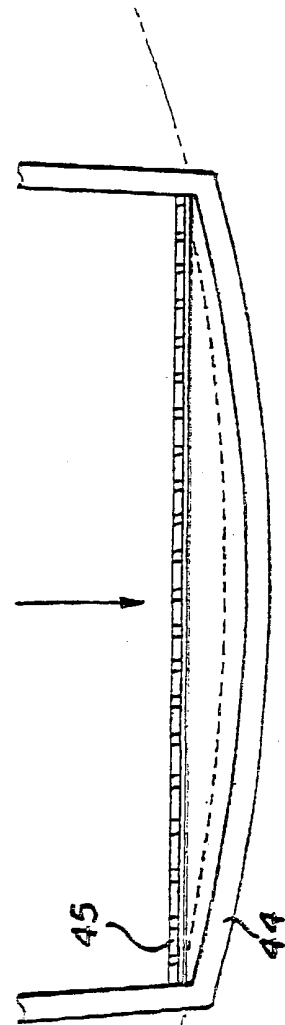
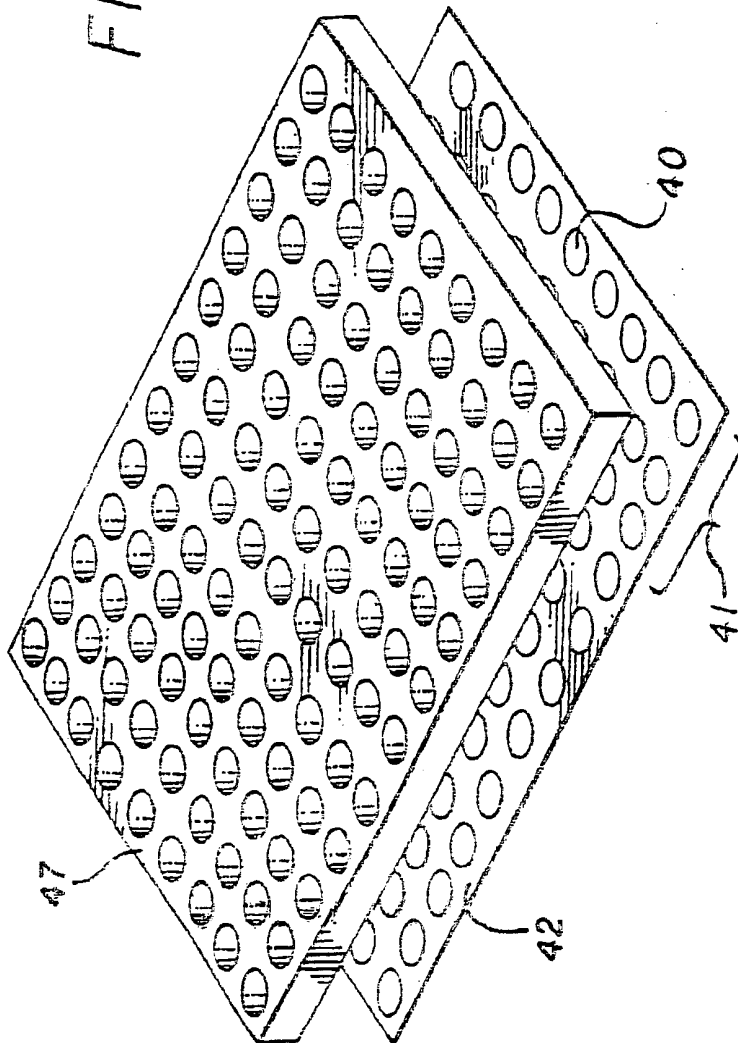


FIG. 6

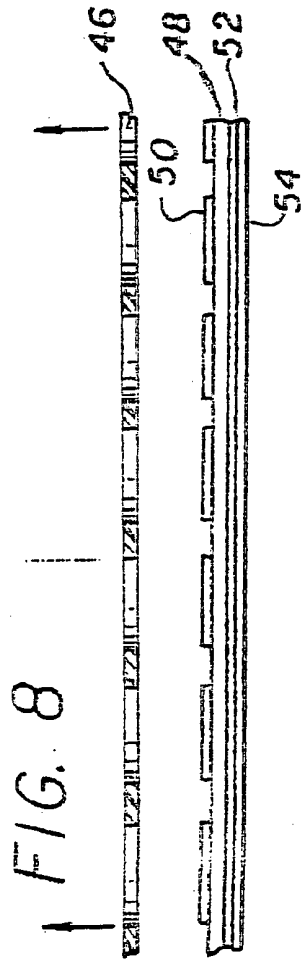
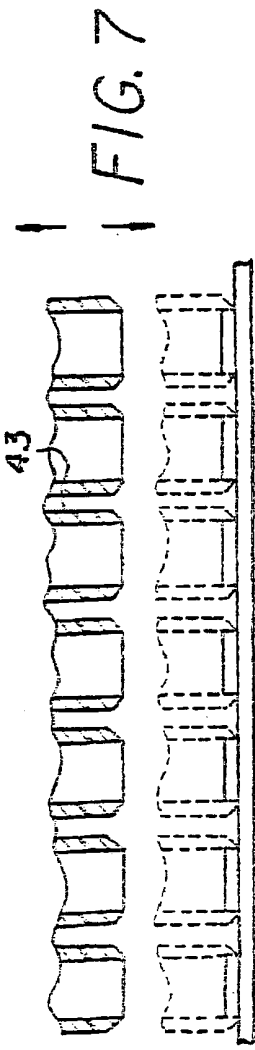
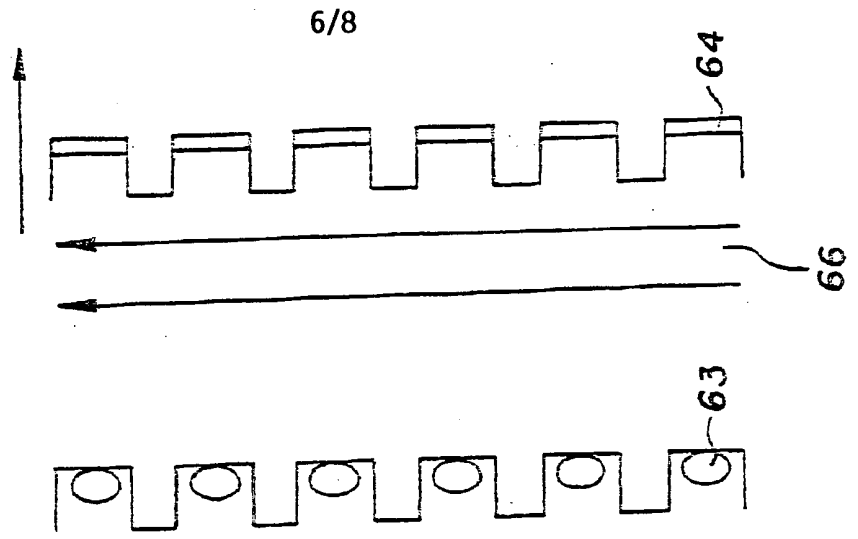


FIG. 9



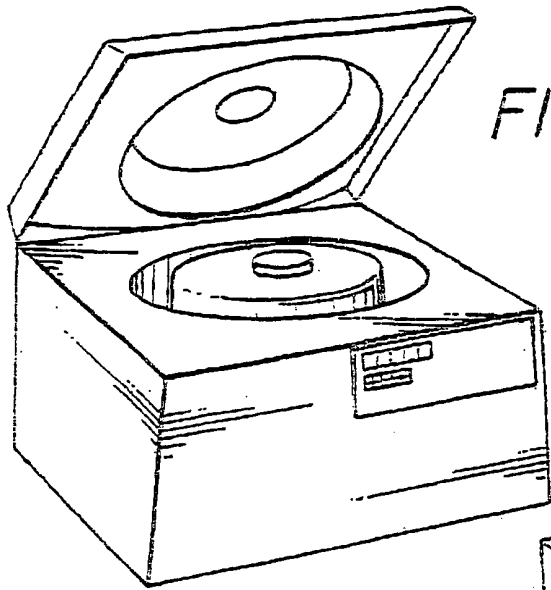


FIG. 10b

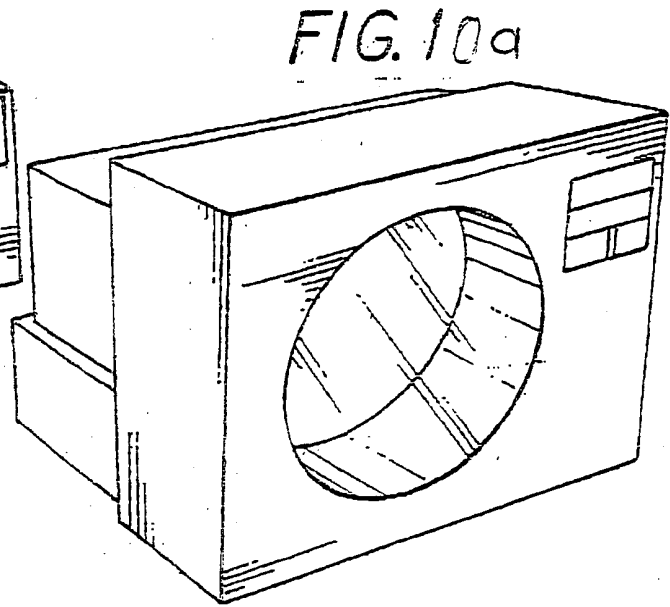


FIG. 10a

FIG 11

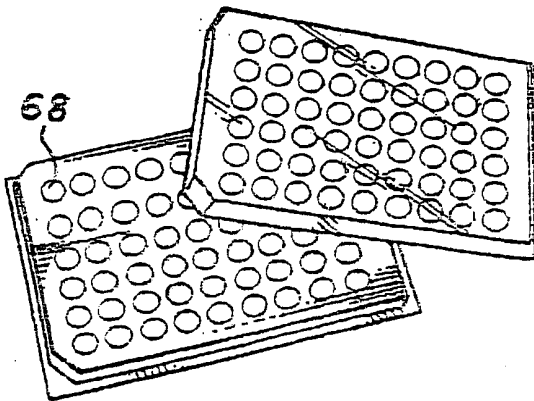
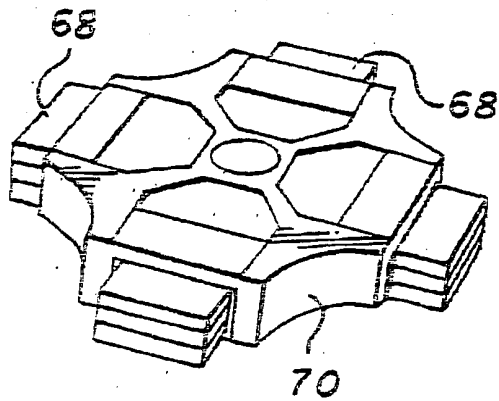


FIG 12

FIG. 13

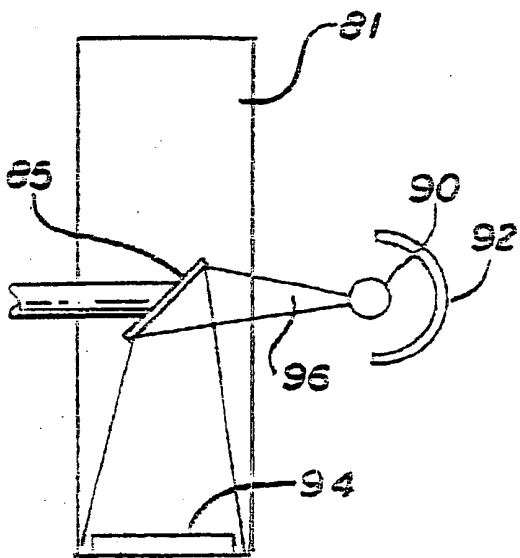
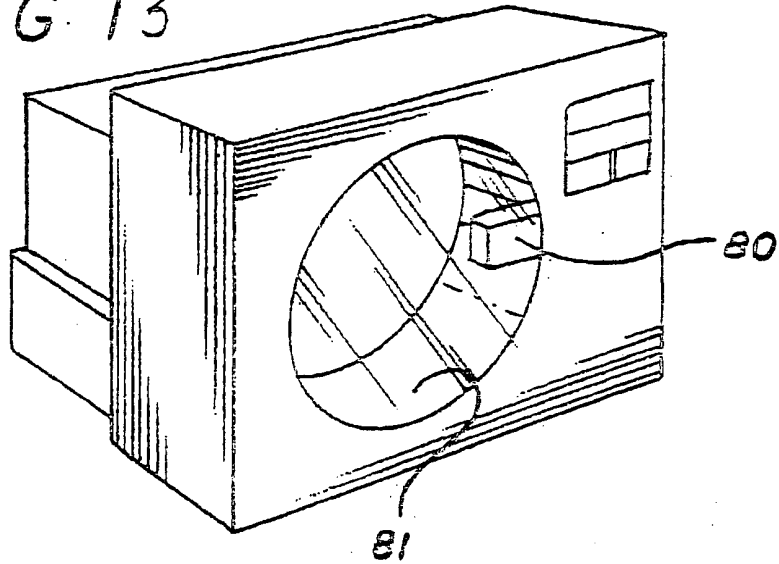


FIG. 14a

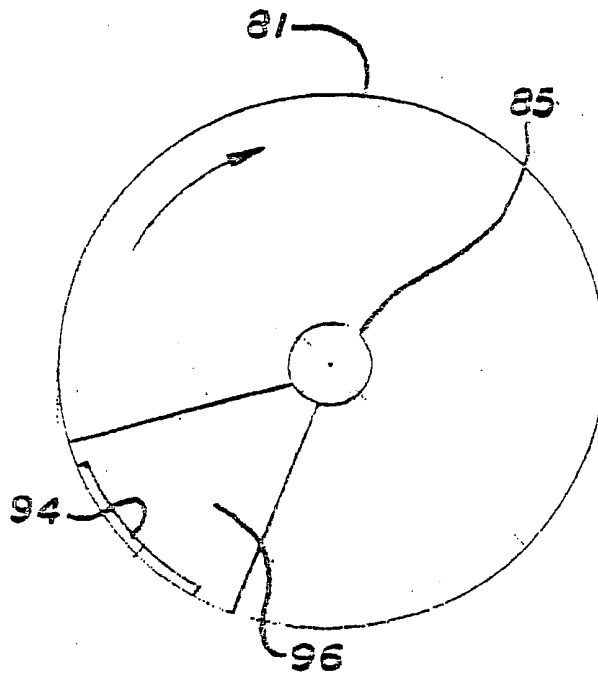


FIG. 14b

INTERNATIONAL SEARCH REPORT

International application No.
PCT/US00/29990

A. CLASSIFICATION OF SUBJECT MATTER IPC(7) :B05D 1/40, 3/06, 5/00; B32B 3/12, 3/14, 25/20, 25/04 US CL :427/8, 512; 428/101, 138, 447 According to International Patent Classification (IPC) or to both national classification and IPC		
B. FIELDS SEARCHED Minimum documentation searched (classification system followed by classification symbols) U.S. : 427/8, 508, 509, 510, 511, 512, 513, 514, 515, 516, 517, 519, 520, 521, 522; 428/101, 138, 447 Documentation searched other than minimum documentation to the extent that such documents are included in the fields searched Electronic data base consulted during the international search (name of data base and, where practicable, search terms used) EAST (Centrifuge\$1, centrifuging, centrifugaton, spin-on, spin-coating, UV, ultraviolet, irradiation, etc.).		
C. DOCUMENTS CONSIDERED TO BE RELEVANT		
Category*	Citation of document, with indication, where appropriate, of the relevant passages	Relevant to claim No.
Y	US 4,789,601 A (BANES) 06 December 1988 (06/12/88), see the abstract, figures; Col. 5-6.	17-18, 3, 14-15
Y	US 6,004,614 A (SCHULTZ et al) 21 December 1999 (21/12/99), see the abstract; figures; Col. 1, lines 16-47; Col. 2, lines 1 - Col. 4, line 66; Col 9, lines 41 - Col .10, line 67+; Col. 11, lines 35-52; Col. 12, lines 1-22; Col. 13, lines 5-35; Col. 14, lines 55 - col. 15, lines 6+; Col .18, lines 15-68+. esp. 45-50; Col. 24.	1-18
<input checked="" type="checkbox"/> Further documents are listed in the continuation of Box C. <input type="checkbox"/> See patent family annex.		
A	Special categories of cited documents: document defining the general state of the art which is not considered to be of particular relevance	*T* later document published after the international filing date or priority date and not in conflict with the application but cited to understand the principle or theory underlying the invention
B	earlier document published on or after the international filing date	*X* document of particular relevance; the claimed invention cannot be considered novel or cannot be considered to involve an inventive step when the document is taken alone
L	document which may throw doubts on priority claim(s) or which is cited to establish the publication date of another citation or other special reason (as specified)	*Y* document of particular relevance; the claimed invention cannot be considered to involve an inventive step when the document is combined with one or more other such documents, such combination being obvious to a person skilled in the art
O	document referring to an oral disclosure, use, exhibition or other means	*A* document member of the same patent family
P	document published prior to the international filing date but later than the priority date claimed	
Date of the actual completion of the international search	Date of mailing of the international search report	
16 DECEMBER 2000	26 JAN 2001	
Name and mailing address of the ISA/US Commissioner of Patents and Trademarks Box PCT Washington, D.C. 20231 Facsimile No. (703) 305-3230	Authorized officer <i>M.L. Padgett</i> M.L. Padgett Telephone No. (703) 308-2336	

INTERNATIONAL SEARCH REPORT

International application No.
PCT/US00/29990

C (Continuation). DOCUMENTS CONSIDERED TO BE RELEVANT		
Category*	Citation of document, with indication, where appropriate, of the relevant passages	Relevant to claim No.
Y,P	US 5,985,356 A (SCHULTZ et al) 16 November 1999 (16/11/99), see the abstract; figures; Col. 1-2; Summary ; Col. 10, lines 7-59; Col. 11, lines 25-68+; Col. 13, lines 24-42; col. 15-16; col. 17, lines 59 - Col. 19, line 19.	1-18
Y	JP 05-253535 B (TSUKADA et al) 05 October 1993 (05/10/93), see English abstract, figures.	1,12, 16
Y	US 4,013,806 A (VOLKERT et al) 22 March 1977 (22/03/77), see abstract and Col. 1, lines 55-64.	1, 12, 16
Y	US 4,285,788 A (ERANIAN et al) 25 August 1981 (25/08/81), see the abstract; col. 1, lines 10-45 and examples on col. 7-8.	1, 12, 16
Y	US 4,255,464 A (VAN DER KALLEN) 10 March 1981 (10/03/81), see the abstract and col. 1, lines 28-43.	1, 12, 16