

(12) INTERNATIONAL APPLICATION PUBLISHED UNDER THE PATENT COOPERATION TREATY (PCT)

(19) World Intellectual Property Organization  
International Bureau



(43) International Publication Date  
6 March 2003 (06.03.2003)

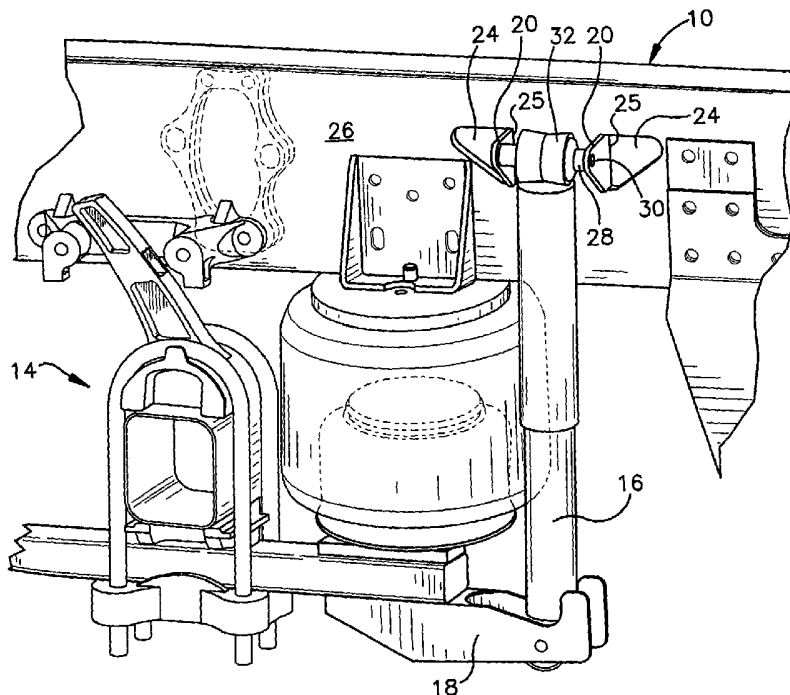
PCT

(10) International Publication Number  
WO 03/018360 A3

- (51) International Patent Classification<sup>7</sup>: B62D 21/02, 21/11
- (21) International Application Number: PCT/US02/26244
- (22) International Filing Date: 16 August 2002 (16.08.2002)
- (25) Filing Language: English
- (26) Publication Language: English
- (30) Priority Data: 09/935,042 22 August 2001 (22.08.2001) US
- (71) Applicant: VOLVO TRUCKS NORTH AMERICA, INC. [US/US]; 7900 National Service Road, Greensboro, NC 27402 (US).
- (72) Inventors: SVARTZ, Bjorn, O.; 3103 Colony Drive, Jamestown, NC 27282 (US). HOCART, Brian, J.; 7607 Strawberry Road, Summerfield, NC 27358 (US).
- (74) Agent: FISHER, Thomas, E.; Watts, Hoffmann, Fisher & Heinke Co., L.P.A., PO Box 99839, Cleveland, OH 44199-0839 (US).
- (81) Designated States (*national*): AE, AG, AL, AM, AT, AU, AZ, BA, BB, BG, BR, BY, BZ, CA, CH, CN, CO, CR, CU, CZ, DE, DK, DM, DZ, EC, EE, ES, FI, GB, GD, GE, GH, GM, HR, HU, ID, IL, IN, IS, JP, KE, KG, KP, KR, KZ, LC, LK, LR, LS, LT, LU, LV, MA, MD, MG, MK, MN, MW, MX, MZ, NO, NZ, OM, PH, PL, PT, RO, RU, SD, SE, SG, SI, SK, SL, TJ, TM, TN, TR, TT, TZ, UA, UG, UZ, VN, YU, ZA, ZM, ZW.
- (84) Designated States (*regional*): ARIPO patent (GH, GM, KE, LS, MW, MZ, SD, SL, SZ, TZ, UG, ZM, ZW), Eurasian patent (AM, AZ, BY, KG, KZ, MD, RU, TJ, TM), European patent (AT, BE, BG, CH, CY, CZ, DE, DK, EE, ES, FI, FR, GB, GR, IE, IT, LU, MC, NL, PT, SE, SK, TR), OAPI patent (BF, BJ, CF, CG, CI, CM, GA, GN, GQ, GW, ML, MR, NE, SN, TD, TG).
- Published:  
— with international search report
- (88) Date of publication of the international search report:  
9 October 2003

[Continued on next page]

(54) Title: HEAVY DUTY VEHICLE FRAME



(57) Abstract: A frame for an over the highway vehicle having a pair of elongate frame rails (10) and a plurality of cross members. At least one of the rails (10) includes an integrally formed bracket (20) projecting laterally. The bracket (20) is adjacent to a rail aperture (24) that is cutting the one rail (10) to define the bracket (20) and after such cutting bending the bracket (20) out of a plane of the one rail (10).



WO 03/018360 A3



---

*For two-letter codes and other abbreviations, refer to the "Guidance Notes on Codes and Abbreviations" appearing at the beginning of each regular issue of the PCT Gazette.*

**INTERNATIONAL SEARCH REPORT**

International application No.  
PCT/US02/26244

**A. CLASSIFICATION OF SUBJECT MATTER**  
 IPC(7) : B62D 21/02, 21/11  
 US CL : 280/788, 800; 72/324; 29/897.2  
 According to International Patent Classification (IPC) or to both national classification and IPC

**B. FIELDS SEARCHED**

Minimum documentation searched (classification system followed by classification symbols)  
 U.S. : 280/788, 800, 781, 797, 798, 799, 124.116, 124.147, 124.155; 72/324, 325, 326; 29/897.2

Documentation searched other than minimum documentation to the extent that such documents are included in the fields searched

Electronic data base consulted during the international search (name of data base and, where practicable, search terms used)  
 Please See Continuation Sheet

**C. DOCUMENTS CONSIDERED TO BE RELEVANT**

Category *	Citation of document, with indication, where appropriate, of the relevant passages	Relevant to claim No.
X, E ---	US 6,434,907 B1 (SIMBOLI) 20 AUGUST 2002 (20.08.02), column 4, lines 34-57.	6, 7, 11 -----
Y, E		1-5, 8-10, 12
X ---	US 3,934,895 A (FOX) 27 JANUARY 1976 (27.01.76), column 2, lines 6-9.	6, 7, 11 -----
Y		1-5, 8-10, 12
Y	US 5,004,369 A (YOUNG) 02 APRIL 1991 (02.04.91), column 4, lines 39-57.	1-12
Y	US 5,605,364 A (SHELLEDY) 25 FEBRUARY 1997 (25.02.97), column 7, lines 39-44.	8-10
Y	US 6,161,853 A (JUNG) 19 DECEMBER 2000 (19.12.00), column 5, lines 4-9.	1-12
A	US 2,154,154 A (EKLUND) 11 April 1939 (11.04.39), column 4, lines 26-40.	1, 6, 11
A	US 3,994,055 A (MALONEY, JR. et al.) 30 NOVEMBER 1976 (30.11.76).	1, 6, 11

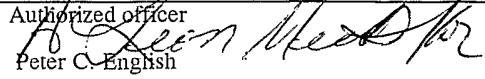
Further documents are listed in the continuation of Box C.  See patent family annex.

* Special categories of cited documents:	"T" later document published after the international filing date or priority date and not in conflict with the application but cited to understand the principle or theory underlying the invention
"A" document defining the general state of the art which is not considered to be of particular relevance	"X" document of particular relevance; the claimed invention cannot be considered novel or cannot be considered to involve an inventive step when the document is taken alone
"E" earlier application or patent published on or after the international filing date	"Y" document of particular relevance; the claimed invention cannot be considered to involve an inventive step when the document is combined with one or more other such documents, such combination being obvious to a person skilled in the art
"L" document which may throw doubts on priority claim(s) or which is cited to establish the publication date of another citation or other special reason (as specified)	"&" document member of the same patent family
"O" document referring to an oral disclosure, use, exhibition or other means	
"P" document published prior to the international filing date but later than the priority date claimed	

Date of the actual completion of the international search  
23 October 2002 (23.10.2002)

Date of mailing of the international search report  
**28 FEB 2003**

Name and mailing address of the ISA/US  
 Commissioner of Patents and Trademarks  
 Box PCT  
 Washington, D.C. 20231  
 Facsimile No. (703)305-3230

Authorized officer  
  
 Peter C. English  
 Telephone No. 703-308-1113

INTERNATIONAL SEARCH REPORT

PCT/US02/26244

C. (Continuation) DOCUMENTS CONSIDERED TO BE RELEVANT

Category *	Citation of document, with indication, where appropriate, of the relevant passages	Relevant to claim No.
A	US 4,273,357 A (PASHKOW) 16 JUNE 1981 (16.06.81).	1, 6, 11

# INTERNATIONAL SEARCH REPORT

International application No.

PCT/US02/26244

## Box I Observations where certain claims were found unsearchable (Continuation of Item 1 of first sheet)

This international report has not been established in respect of certain claims under Article 17(2)(a) for the following reasons:

1.  Claim Nos.:  
because they relate to subject matter not required to be searched by this Authority, namely:
  
2.  Claim Nos.:  
because they relate to parts of the international application that do not comply with the prescribed requirements to such an extent that no meaningful international search can be carried out, specifically:
  
3.  Claim Nos.:  
because they are dependent claims and are not drafted in accordance with the second and third sentences of Rule 6.4(a).

## Box II Observations where unity of invention is lacking (Continuation of Item 2 of first sheet)

This International Searching Authority found multiple inventions in this international application, as follows:

1.  As all required additional search fees were timely paid by the applicant, this international search report covers all searchable claims.
2.  As all searchable claims could be searched without effort justifying an additional fee, this Authority did not invite payment of any additional fee.
3.  As only some of the required additional search fees were timely paid by the applicant, this international search report covers only those claims for which fees were paid, specifically claims Nos.:
  
4.  No required additional search fees were timely paid by the applicant. Consequently, this international search report is restricted to the invention first mentioned in the claims; it is covered by claims Nos.:

- Remark on Protest**  The additional search fees were accompanied by the applicant's protest.  
 No protest accompanied the payment of additional search fees.

**INTERNATIONAL SEARCH REPORT**

PCT/US02/26244

**Continuation of B. FIELDS SEARCHED Item 3:**

EAST

search terms: shock absorber, damper, vehicle, truck, car, automobile, bracket, frame, chassis, cut, bend, bent, deform, punch, shear