



(51) International Patent Classification:

F01K3/00 (2006.01) F01K3/12 (2006.01)
F02C 1/05 (2006.01) F01K 23/10 (2006.01)
F03G 6/06 (2006.01) F22B 1/00 (2006.01)
F28D 20/00 (2006.01) F03G 6/00 (2006.01)

(21) International Application Number:

PCT/IB20 10/003450

(22) International Filing Date:

22 December 2010 (22. 12.2010)

(25) Filing Language:

English

(26) Publication Language:

English

(30) Priority Data:

61/289,966 23 December 2009 (23. 12.2009) US

(71) Applicant: Goebel, Olaf [DE/AE]; Mangrove Village 5038, Abu Dhabi (AE).

(72) Inventor; and

(71) Applicant : AL ALI, Yousif [AE/AE]; PO Box 11603, Al Shamkha No. 100, Abu Dhabi (AE).

(74) Agent: HAINES, Miles, John; D Young & Co LLP, 120 Holborn, London, EC1N 2DY (GB).

(81) Designated States (unless otherwise indicated, for every kind of national protection available): AE, AG, AL, AM,

AO, AT, AU, AZ, BA, BB, BG, BH, BR, BW, BY, BZ, CA, CH, CL, CN, CO, CR, CU, CZ, DE, DK, DM, DO, DZ, EC, EE, EG, ES, FI, GB, GD, GE, GH, GM, GT, HN, HR, HU, ID, IL, IN, IS, JP, KE, KG, KM, KN, KP, KR, KZ, LA, LC, LK, LR, LS, LT, LU, LY, MA, MD, ME, MG, MK, MN, MW, MX, MY, MZ, NA, NG, NI, NO, NZ, OM, PE, PG, PH, PL, PT, RO, RS, RU, SC, SD, SE, SG, SK, SL, SM, ST, SV, SY, TH, TJ, TM, TN, TR, TT, TZ, UA, UG, US, UZ, VC, VN, ZA, ZM, ZW.

(84) Designated States (unless otherwise indicated, for every kind of regional protection available): ARIPO (BW, GH, GM, KE, LR, LS, MW, MZ, NA, SD, SL, SZ, TZ, UG, ZM, ZW), Eurasian (AM, AZ, BY, KG, KZ, MD, RU, TJ, TM), European (AL, AT, BE, BG, CH, CY, CZ, DE, DK, EE, ES, FI, FR, GB, GR, HR, HU, IE, IS, IT, LT, LU, LV, MC, MK, MT, NL, NO, PL, PT, RO, RS, SE, SI, SK, SM, TR), OAPI (BF, BJ, CF, CG, CI, CM, GA, GN, GQ, GW, ML, MR, NE, SN, TD, TG).

Published:

— with international search report (Art. 21(3))

(88) Date of publication of the international search report:
27 June 2013

(54) Title: COMBINED CYCLE SOLAR POWER GENERATION

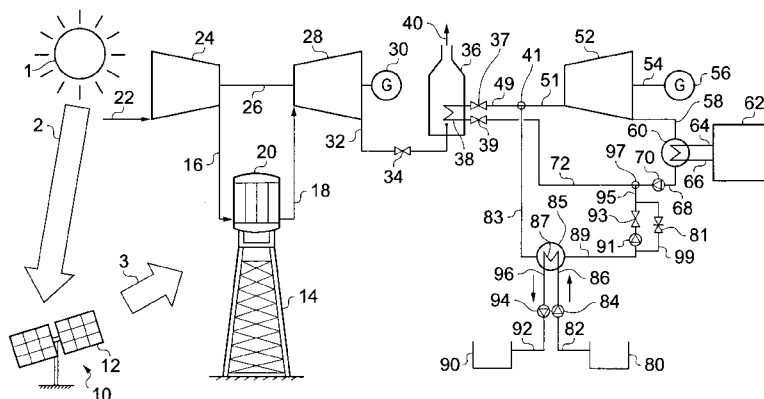


FIG. 3

(57) Abstract: Combined cycle solar power generation is achieved using a primary cycle (24, 20, 28) based on a solar receiver (20), such as a volumetric absorber, in which compressed air is heated by concentrated solar radiation, coupled with a secondary cycle (36, 52, 60, 70) based on a water/steam circuit driven by exhaust gas (32) from the primary cycle. When the primary cycle is inactive, typically at night time, the secondary cycle can be driven by accessing a heat store (80, 90) of liquid or solid heat storage material, such as a molten salt or concrete blocks, which has been heated earlier during day time operation. The water/steam circuit is re-configurable between first and second switching conditions, wherein in the first switching condition heat is transferred directly or indirectly from the primary cycle to heat the heat storage material, and in the second switching condition heat is transferred from the heat storage material to the water/steam circuit in order to generate steam.

WO 2011/077248 A3

INTERNATIONAL SEARCH REPORT

International application No PCT/IB201Q/003450

A. CLASSIFICATION OF SUBJECT MATTER				
INV. F01K3/Q0 F02C1/05 F03G6/O6 F28D20/00 F01K3/12				
F01K23/10 F22B1/00				
ADD. F03G6/00				
According to International Patent Classification (IPC) or to both national classification and IPC				
B. FIELDS SEARCHED				
Minimum documentation searched (classification system followed by classification symbols) F01K F02C F03G F28D				
Documentation searched other than minimum documentation to the extent that such documents are included in the fields searched				
Electronic data base consulted during the international search (name of data base and, where practicable, search terms used) EPO-Internal , WPI Data				
C. DOCUMENTS CONSIDERED TO BE RELEVANT				
Category*	Citation of document, with indication, where appropriate, of the relevant passages	Relevant to claim No.		
X	WO 2008/153946 A2 (AUSRA INC [US]; MILLS DAVID R [US]) 18 December 2008 (2008-12-18) paragraphs [0031] - [0092]; figures 1,2 -----	I-8 , II- 15		
Y	JP 63 253101 A (MITSUBISHI HEAVY IND LTD) 20 October 1988 (1988-10-20) abstract; figure 1 -----	9,10		
Y	US 2009/178409 A1 (SHINNAR REUEL [US]) 16 July 2009 (2009-07-16) paragraphs [0015] - [0126]; figures 1-6 -----	9		
Y	US 6 321 539 B1 (BRONICKI LUCIEN Y [IL] ET AL) 27 November 2001 (2001-11-27) abstract; figure 1 -----	10		
A	----- - / - -	1,2,11		
<input checked="" type="checkbox"/> Further documents are listed in the continuation of Box C. <input checked="" type="checkbox"/> See patent family annex.				
* Special categories of cited documents : <table style="width: 100%; border: none;"> <tr> <td style="width: 50%; border: none; vertical-align: top;"> "A" document defining the general state of the art which is not considered to be of particular relevance "E" earlier application or patent but published on or after the international filing date "L" document which may throw doubts on priority claim(s) or which is cited to establish the publication date of another citation or other special reason (as specified) "O" document referring to an oral disclosure, use, exhibition or other means "P" document published prior to the international filing date but later than the priority date claimed </td> <td style="width: 50%; border: none; vertical-align: top;"> "T" later document published after the international filing date or priority date and not in conflict with the application but cited to understand the principle or theory underlying the invention "X" document of particular relevance; the claimed invention cannot be considered novel or cannot be considered to involve an inventive step when the document is taken alone "Y" document of particular relevance; the claimed invention cannot be considered to involve an inventive step when the document is combined with one or more other such documents, such combination being obvious to a person skilled in the art "&" document member of the same patent family </td> </tr> </table>			"A" document defining the general state of the art which is not considered to be of particular relevance "E" earlier application or patent but published on or after the international filing date "L" document which may throw doubts on priority claim(s) or which is cited to establish the publication date of another citation or other special reason (as specified) "O" document referring to an oral disclosure, use, exhibition or other means "P" document published prior to the international filing date but later than the priority date claimed	"T" later document published after the international filing date or priority date and not in conflict with the application but cited to understand the principle or theory underlying the invention "X" document of particular relevance; the claimed invention cannot be considered novel or cannot be considered to involve an inventive step when the document is taken alone "Y" document of particular relevance; the claimed invention cannot be considered to involve an inventive step when the document is combined with one or more other such documents, such combination being obvious to a person skilled in the art "&" document member of the same patent family
"A" document defining the general state of the art which is not considered to be of particular relevance "E" earlier application or patent but published on or after the international filing date "L" document which may throw doubts on priority claim(s) or which is cited to establish the publication date of another citation or other special reason (as specified) "O" document referring to an oral disclosure, use, exhibition or other means "P" document published prior to the international filing date but later than the priority date claimed	"T" later document published after the international filing date or priority date and not in conflict with the application but cited to understand the principle or theory underlying the invention "X" document of particular relevance; the claimed invention cannot be considered novel or cannot be considered to involve an inventive step when the document is taken alone "Y" document of particular relevance; the claimed invention cannot be considered to involve an inventive step when the document is combined with one or more other such documents, such combination being obvious to a person skilled in the art "&" document member of the same patent family			
Date of the actual completion of the international search	Date of mailing of the international search report			
26 March 2013	04/04/2013			
Name and mailing address of the ISA/ European Patent Office, P.B. 5818 Patentlaan 2 NL - 2280 HV Rijswijk Tel. (+31-70) 340-2040, Fax: (+31-70) 340-3016	Authorized officer Lepers, Joachim			

INTERNATIONAL SEARCH REPORT

International application No PCT/IB201Q/003450

C(Continuation). DOCUMENTS CONSIDERED TO BE RELEVANT		
Category*	Citation of document, with indication, where appropriate, of the relevant passages	Relevant to claim No.
A	<p>HELLER P ET AL: "Test and evaluation of a solar powered gas turbine system" , SOLAR ENERGY, PERGAMON PRESS. OXFORD, GB, vol . 80, no. 10, 1 October 2006 (2006-10-01) , pages 1225-1230, XP027986185, ISSN: 0038-092X [retrieved on 2006-10-01] cited in the application figure 1</p> <p align="center">-----</p>	1, 11
A	<p>JP 8 260912 A (TOSHIBA CORP) 8 October 1996 (1996-10-08) figure 1</p> <p align="center">-----</p>	1, 11

INTERNATIONAL SEARCH REPORT

Information on patent family members

International application No

PCT/IB201Q/003450

Patent document cited in search report	Publication date	Patent family member(s)	Publication date
WO 2008153946 A2	18-12-2008	AU 2008262309 A1 CN 101984761 A EP 2331792 A2 KR 20100032408 A US 2009121495 A1 WO 2008153946 A2	18-12-2008 09-03-2011 15-06-2011 25-03-2010 14-05-2009 18-12-2008

JP 63253101 A	20-10-1988		
US 2009178409 A1	16-07-2009	NONE	

US 6321539 B1	27-11-2001	US 6321539 B1 US 2002046561 A1	27-11-2001 25-04-2002

JP 8260912 A	08-10-1996		