

(19) World Intellectual Property Organization  
International Bureau



(43) International Publication Date  
11 June 2009 (11.06.2009)

PCT

(10) International Publication Number  
WO 2009/072075 A3

- (51) International Patent Classification:  
G01S 3/786 (2006.01) F24J 2/38 (2006.01)
- (21) International Application Number:  
PCT/IB2008/055092
- (22) International Filing Date:  
4 December 2008 (04.12.2008)
- (25) Filing Language: English
- (26) Publication Language: English
- (30) Priority Data:  
60/992,589 5 December 2007 (05.12.2007) US
- (71) Applicant (for all designated States except US): SO-  
LAREGE TECHNOLOGIES LTD. [IL/IL]; 1A Abba  
Eban St., 46733 Herzeliya (IL).
- (72) Inventors; and
- (75) Inventors/Applicants (for US only): ADEST, Meir  
[IL/IL]; 2 Yigal Yadin, 43582 Ra'anana (IL). SELLA,  
Guy [IL/IL]; 13A Bat Chen, Bitan Aharon (IL). HAN-  
DELSMAN, Lior [IL/IL]; 59 Shimon Ben-Zvi, 53631  
Givataim (IL). GALIN, Yoav [IL/IL]; 28 Yehuda Halevi,  
43556 Ra'anana (IL). FISHELOV, Amir [IL/IL]; 32 Ben  
Yosef, 69125 Tel Aviv (IL).
- (74) Agents: EITAN MEHULAL LAW GROUP et al.; 10  
Abba Eban Blvd., PO Box 2081, 46120 Herzlia (IL).
- (81) Designated States (unless otherwise indicated, for every  
kind of national protection available): AE, AG, AL, AM,

AO, AT, AU, AZ, BA, BB, BG, BH, BR, BW, BY, BZ,  
CA, CH, CN, CO, CR, CU, CZ, DE, DK, DM, DO, DZ,  
EC, EE, EG, ES, FI, GB, GD, GE, GH, GM, GT, HN,  
HR, HU, ID, IL, IN, IS, JP, KE, KG, KM, KN, KP, KR,  
KZ, LA, LC, LK, LR, LS, LT, LU, LY, MA, MD, ME,  
MG, MK, MN, MW, MX, MY, MZ, NA, NG, NI, NO,  
NZ, OM, PG, PH, PL, PT, RO, RS, RU, SC, SD, SE, SG,  
SK, SL, SM, ST, SV, SY, TJ, TM, TN, TR, TT, TZ, UA,  
UG, US, UZ, VC, VN, ZA, ZM, ZW.

(84) Designated States (unless otherwise indicated, for every  
kind of regional protection available): ARIPO (BW, GH,  
GM, KE, LS, MW, MZ, NA, SD, SL, SZ, TZ, UG, ZM,  
ZW), Eurasian (AM, AZ, BY, KG, KZ, MD, RU, TJ,  
TM), European (AT, BE, BG, CH, CY, CZ, DE, DK, EE,  
ES, FI, FR, GB, GR, HR, HU, IE, IS, IT, LT, LU, LV,  
MC, MT, NL, NO, PL, PT, RO, SE, SI, SK, TR), OAPI  
(BF, BJ, CF, CG, CI, CM, GA, GN, GQ, GW, ML, MR,  
NE, SN, TD, TG).

Published:

- with international search report (Art. 21(3))
- before the expiration of the time limit for amending the  
claims and to be republished in the event of receipt of  
amendments (Rule 48.2(h))

(88) Date of publication of the international search report:  
5 November 2009

(54) Title: PHOTOVOLTAIC SYSTEM POWER TRACKING METHOD

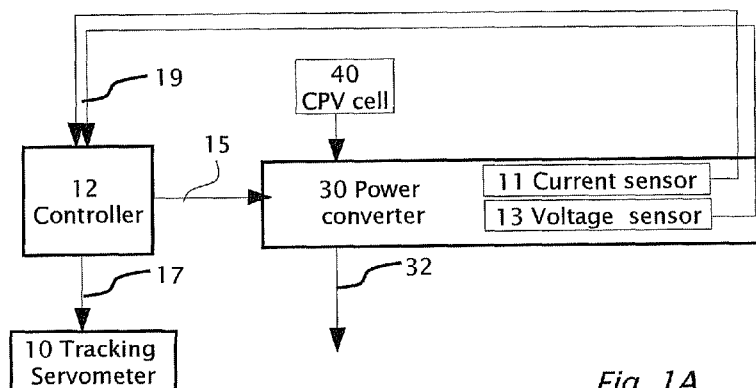


Fig. 1A

(57) Abstract: A photovoltaic system including a photovoltaic cell, and an electronic module connected to the photovoltaic cell. The electronic module is adapted to produce at least one control signal indicative of electrical power being generated by the photovoltaic cells. A tracking controller is adapted to receive the control signal(s) and based on the control signal(s), the controller is adapted to control a tracking motor for adjusting the system so that electrical power generated by the photovoltaic cells is increased. The photovoltaic system may include an optical element, adapted for concentrating solar light onto the photovoltaic cells. The electronic module preferably performs direct current (DC) to direct current (DC) power conversion and maximum power point tracking by electrical power, current, or voltage at either their inputs or their outputs. Alternatively, the tracking controller is configured to also perform maximum power point tracking by increasing to a local maximum electrical power by varying at least one of (i) current or voltage output from the photovoltaic cell or (ii) current or voltage output from the electronic module.



WO 2009/072075 A3

INTERNATIONAL SEARCH REPORT

International application No  
PCT/IB2008/055092

A. CLASSIFICATION OF SUBJECT MATTER  
INV. G01S3/786 F24J2/38

According to International Patent Classification (IPC) or to both national classification and IPC

B. FIELDS SEARCHED

Minimum documentation searched (classification system followed by classification symbols)  
G01S F24J

Documentation searched other than minimum documentation to the extent that such documents are included in the fields searched

Electronic data base consulted during the international search (name of data base and, where practical, search terms used)  
EPO-Internal, INSPEC, WPI Data

C. DOCUMENTS CONSIDERED TO BE RELEVANT

Category*	Citation of document, with indication, where appropriate, of the relevant passages	Relevant to claim No.
X Y	US 2007/227574 A1 (CART ROBERT [US]) 4 October 2007 (2007-10-04) paragraph [0025] paragraph [0037] paragraph [0061] paragraph [0092] - paragraph [0093]	1-3,6-7, 10-15 4-5,8-13
X	US 5 919 314 A (KIM IL SONG [KR]) 6 July 1999 (1999-07-06) abstract; figure 1 column 1, line 59 - column 2, line 54	1,6-7
X	US 4 868 379 A (WEST RICK [US]) 19 September 1989 (1989-09-19) abstract; figure 1 column 3, line 28 - line 42 column 5, line 13 - line 24	1,6-7
	-/--	

Further documents are listed in the continuation of Box C.

See patent family annex.

\* Special categories of cited documents:

- \*A\* document defining the general state of the art which is not considered to be of particular relevance
- \*E\* earlier document but published on or after the international filing date
- \*L\* document which may throw doubts on priority claim(s) or which is cited to establish the publication date of another citation or other special reason (as specified)
- \*O\* document referring to an oral disclosure, use, exhibition or other means
- \*P\* document published prior to the international filing date but later than the priority date claimed

- \*T\* later document published after the international filing date or priority date and not in conflict with the application but cited to understand the principle or theory underlying the invention
- \*X\* document of particular relevance; the claimed invention cannot be considered novel or cannot be considered to involve an inventive step when the document is taken alone
- \*Y\* document of particular relevance; the claimed invention cannot be considered to involve an inventive step when the document is combined with one or more other such documents, such combination being obvious to a person skilled in the art.
- \*&\* document member of the same patent family

Date of the actual completion of the international search  1 September 2009	Date of mailing of the international search report  08/09/2009
---	--

Name and mailing address of the ISA/ European Patent Office, P.B. 5818 Patentlaan 2 NL - 2280 HV Rijswijk Tel. (+31-70) 340-2040, Fax: (+31-70) 340-3016	Authorized officer  Niemeijer, Reint
--	--

## INTERNATIONAL SEARCH REPORT

International application No  
PCT/IB2008/055092

C(Continuation). DOCUMENTS CONSIDERED TO BE RELEVANT		
Category*	Citation of document, with indication, where appropriate, of the relevant passages	Relevant to claim No.
Y	US 5 923 158 A (KUROKAMI SEIJI [JP]; FUKAE KIMITOSHI [JP]; TAKEHARA NOBUYOSHI [JP]) 13 July 1999 (1999-07-13) abstract; figure 1 -----	4-5,8-9
Y	US 5 616 913 A (LITTERST THOMAS [DE]) 1 April 1997 (1997-04-01) abstract; figure 1 column 8, line 26 - line 44 column 9, line 1 - line 9 -----	10-13

# INTERNATIONAL SEARCH REPORT

Information on patent family members

International application No

PCT/IB2008/055092

Patent document cited in search report	Publication date	Patent family member(s)	Publication date
US 2007227574	A1	04-10-2007	NONE
US 5919314	A	06-07-1999	NONE
US 4868379	A	19-09-1989	NONE
US 5923158	A	13-07-1999	CN 1180261 A 29-04-1998 DE 69734495 D1 08-12-2005 DE 69734495 T2 20-07-2006 EP 0827254 A2 04-03-1998 JP 3352334 B2 03-12-2002 JP 10074113 A 17-03-1998
US 5616913	A	01-04-1997	DE 4446303 A1 27-06-1996 ES 2117550 A1 01-08-1998