



(51) International Patent Classification:

A24D 1/10 (2006.01)

(21) International Application Number:

PCT/EP2017/083383

(22) International Filing Date:

18 December 2017 (18.12.2017)

(25) Filing Language:

English

(26) Publication Language:

English

(30) Priority Data:

16205914.1 21 December 2016 (21.12.2016) EP

(71) Applicant: PHILIP MORRIS PRODUCTS S.A.
[CH/CH]; Quai Jeanrenaud 3, 2000 Neuchâtel (CH).

(72) Inventors: ALVAREZ DE LA CADENA, Antonio; De la Vicuña 1, Tigre Buenos Aires, 1670 (MX). BESSO, Clément; Chemin de la Favarge 26, 2000 Neuchâtel (CH). GRANDJEAN, Emeric; 10, Avenue de la Harpe, 1007 Lausanne (CH).

(74) Agent: CIVERA, Andrea; Reddie & Grose LLP, The White Chapel Building, 10 Whitechapel High Street, London Greater London E1 8QS (GB).

(81) Designated States (unless otherwise indicated, for every kind of national protection available): AE, AG, AL, AM, AO, AT, AU, AZ, BA, BB, BG, BH, BN, BR, BW, BY, BZ, CA, CH, CL, CN, CO, CR, CU, CZ, DE, DJ, DK, DM, DO, DZ, EC, EE, EG, ES, FI, GB, GD, GE, GH, GM, GT, HN,

HR, HU, ID, IL, IN, IR, IS, JO, JP, KE, KG, KH, KN, KP, KR, KW, KZ, LA, LC, LK, LR, LS, LU, LY, MA, MD, ME, MG, MK, MN, MW, MX, MY, MZ, NA, NG, NI, NO, NZ, OM, PA, PE, PG, PH, PL, PT, QA, RO, RS, RU, RW, SA, SC, SD, SE, SG, SK, SL, SM, ST, SV, SY, TH, TJ, TM, TN, TR, TT, TZ, UA, UG, US, UZ, VC, VN, ZA, ZM, ZW.

(84) Designated States (unless otherwise indicated, for every kind of regional protection available): ARIPO (BW, GH, GM, KE, LR, LS, MW, MZ, NA, RW, SD, SL, ST, SZ, TZ, UG, ZM, ZW), Eurasian (AM, AZ, BY, KG, KZ, RU, TJ, TM), European (AL, AT, BE, BG, CH, CY, CZ, DE, DK, EE, ES, FI, FR, GB, GR, HR, HU, IE, IS, IT, LT, LU, LV, MC, MK, MT, NL, NO, PL, PT, RO, RS, SE, SI, SK, SM, TR), OAPI (BF, BJ, CF, CG, CI, CM, GA, GN, GQ, GW, KM, ML, MR, NE, SN, TD, TG).

Published:

- with international search report (Art. 21(3))
- before the expiration of the time limit for amending the claims and to be republished in the event of receipt of amendments (Rule 48.2(h))

(54) Title: SMOKING ARTICLE WITH EXTINGUISHMENT MEANS

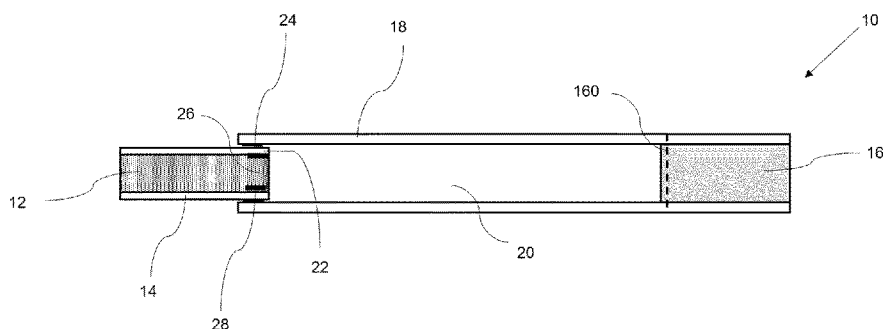


Fig. 1

(57) Abstract: There is provided a smoking article (10) comprising: a charge (12) of tobacco material; a wrapper (14) circumscribing the charge (12) of tobacco material; a filter (16) arranged downstream of the charge (12) of tobacco material; and a hollow tube (18) defining an inner cavity (20) and attaching the filter (16) to the wrapper (14). An affixing portion (22) of the wrapper (14) is received within the inner cavity (20) and permanently secured to the hollow tube (18). A downstream end of the charge (12) of tobacco material is secured to the wrapper (14) by means of a thermally deactivatable adhesive (28) provided on an outer surface of the charge (12) of tobacco material or on an inner surface of the wrapper (14) or on both such that, upon deactivation of the adhesive (28), at least a portion of the charge (12) of tobacco material becomes slidable within the wrapper (14) in relation to the filter (16).



SMOKING ARTICLE WITH EXTINGUISHMENT MEANS

The present invention relates to a smoking article including a tobacco rod and a filter.

5 Filter cigarettes typically comprise a rod comprising a charge of smokable material, such as tobacco cut filler, surrounded by a paper wrapper and a cylindrical filter aligned in end-to-end relationship with the wrapped tobacco charge and attached thereto by tipping paper. During smoking, the rod of smokable material is lit at the end furthest from the filter, and smoke from the lit end of the rod is drawn along the rod through the filter to the consumer. As the rod of smokable
10 material is smoked, the burning coal advances towards the mouth end of the rod.

The consumer typically puts out a cigarette when the burning coal is about to reach the filter. This generally requires the use of an ashtray or other suitable surface against which the cigarette is extinguished. This may undesirably leave an unpleasant smell on the consumer's fingers. Besides, it may not always be easy for the consumer to access a suitable surface against
15 which to extinguish the cigarette.

Thus, a need is felt for improving features and functions of filtered smoking articles with a view to facilitating a consumer's experience. In particular, it would be desirable to provide a novel and improved filtered smoking article such that the consumer can easily extinguish the smoking article even without using an ashtray or other suitable surface. In addition, it would be desirable
20 to provide one such filtered smoking article that can easily be manufactured without requiring any major modification to existing equipment.

According to the present invention, there is provided a smoking article comprising: a charge of tobacco material; a wrapper circumscribing the tobacco rod; a filter arranged downstream of the charge of tobacco material; and a hollow tube defining an inner cavity and attaching the filter
25 to the wrapper. An affixing portion of the wrapper is received within the inner cavity and permanently secured to the hollow tube. A downstream end of the charge of tobacco material is secured to the wrapper by means of a thermally deactivatable adhesive provided on an outer surface of the charge of tobacco material or on an inner surface of the wrapper or on both such that, upon deactivation of the adhesive, at least a portion of the charge of tobacco material
30 becomes slidable within the wrapper in relation to the filter.

The terms "upstream" and "downstream" are used herein to describe relative positions between elements of the smoking article in relation to the direction of mainstream smoke as it is drawn from a lit end of the smoking article through the filter.

As used herein, the term "longitudinal" is used to describe the direction between the
35 downstream or proximal end and the opposed upstream or distal end and the term "transverse" is used to describe the direction substantially perpendicular to the longitudinal direction.

Within the context of the present invention, the term “deactivatable” is used to describe an adhesive which loses at least a significant portion of its tack or adhesion force (that is, “is deactivated”) under predetermined conditions. A “thermally deactivatable adhesive” exhibits a decrease in its adhesion force after being heated to a temperature at or above a “deactivation temperature” of the adhesive.

The “deactivation temperature” of a thermally deactivatable adhesive is the temperature at which the adhesive is deactivated, that is, the temperature at which the adhesion of the adhesive decreases significantly. In embodiments wherein deactivation is achieved over a range of temperatures, the deactivation temperature is the temperature at which the decrease in adhesion begins.

In some embodiments, the deactivation temperature corresponds to the melting point of the adhesive, that is, the temperature at which the adhesive changes state from solid to liquid. Such state of matter change is accompanied by a significant decrease in the adhesion strength of the adhesive and may be optionally associated with an increase in the viscosity of the adhesive. This is typically the case with adhesives comprising crystalline polymers, for which melting is accompanied by discontinuous changes in volume and enthalpy.

In other embodiments, the deactivation temperature corresponds to a glass transition temperature of the adhesive, that is, the temperature at which the adhesive changes from a hard and relatively brittle, glassy state into a viscous, rubbery state. Glass transition is accompanied by a significant decrease in the adhesion strength of the adhesive. This is typically the case with adhesives comprising amorphous polymers, for which the glass transition is accompanied by discontinuous changes in heat capacity and in the thermal expansion coefficient. Without wishing to be bound to theory, this is understood to be related to an alteration of the rigidity of the polymer backbone.

In further embodiments, the deactivation temperature corresponds to a decomposition temperature of the adhesive, that is, the temperature at which the adhesive undergoes a degradation process typically accompanied by weight loss due to loss of moisture or of other groups loosely bonded to the main polymeric backbone, pyrolysis or other reactions.

The term “adhesion force” as used herein refers to the ability of an adhesive to stick to a surface and bond two surfaces together. It is measured by assessing the minimum tensile stress needed to detach or unstick two strips of paper adhered to one another by adhesive provided along a transverse line running across the width of both strips. An increasing traction (dynamic load) is applied on the strips of paper at room temperature and the tensile stress under which the two strips of paper are separated without fibre tear is taken as the “adhesion force”.

The same set-up may be used for determining the deactivation temperature. A predetermined load lower than the adhesion force at room temperature is applied to the strips of paper and temperature is increased until the predetermined load becomes sufficient for separated

the strips of paper. The temperature at which the strips of paper are separated is taken as the “deactivation temperature”.

The term “gas permeability” is used throughout this specification to describe the tendency of a given material to allow permeation, that is, the diffusion of molecules of a gas or of a gaseous mixture (the permeant) through the material. Permeation works through diffusion, therefore the permeant will move under a concentration gradient. Permeability is measured in units of area, commonly in squared metres.

The term “air-impermeable” is used herein to describe a material not allowing the passage of fluids, particularly air and smoke, through interstices or pores in the material. If the hollow tube is formed from a material or materials impermeable to air and smoke, air and smoke drawn into the hollow tube can only flow along the inner cavity and towards the filter.

In a smoking article according to the present invention, the filter is attached to the cellulosic wrapper circumscribing the charge of tobacco material (for example, tobacco cut filler or reconstituted tobacco) by means of a hollow tube defining an inner cavity that extends between the filter and the charge of tobacco material. An affixing portion of the wrapper is received within the cavity, and adhesive provided on an outer surface of the wrapper or on an inner surface of the hollow tube or on both secures the wrapper to the hollow tube. In turn, the charge of tobacco material is affixed to the wrapper by a thermally deactivatable adhesive. Thus, upon deactivation, at least a portion of the charge of tobacco material becomes free to slide into the hollow tube and towards the filter.

The adhesive attaching the hollow tube to the wrapper is not thermally deactivatable. On the other hand, the adhesive securing the charge of tobacco material to the wrapper becomes deactivated when exposed to a temperature above a deactivation temperature. During use this condition can be achieved when the burning coal approaches the affixing portion at the downstream end of the wrapper. Accordingly, the consumer puffing on the filter can effectively draw the remaining portion of the charge of tobacco material – and potentially some ash – into the hollow tube. This causes the extinguishment of the smoking article. Without wishing to be bound by theory, this is understood to be related to the reduced availability of oxygen within the cavity, particularly at a location near the filter.

Thus, it is particularly easy for the consumer to extinguish a smoking article in accordance with the invention without the need for an ashtray or for another surface on which to stub the smoking article. This is advantageously achieved by interacting with the smoking article in a manner that provides a novel and distinctive way of using the smoking article.

In addition, it is less likely for an unpleasant smell to be left on the consumer’s fingers, since the need to manually interact with the cigarette stub is significantly reduced. In practice, the consumer can keep holding the cigarette by the filter as during smoking.

Smoking articles according to the invention are easy to manufacture and do not require any extensive modification of the existing apparatus.

In smoking articles according to the invention, a length of the tobacco rod is preferably less than about 40 millimetres. More preferably, a length of the tobacco rod is less than about 30 millimetres. In addition, or as an alternative, a length of the tobacco rod is preferably at least 10 millimetres. More preferably, a length of the tobacco rod is at least about 15 millimetres. In particularly preferred embodiments, a length of the tobacco rod is about 20 millimetres. It has been found that with a tobacco rod having a length less than 40 millimetres it is easy for the consumer to apply on the filter a suction force great enough to draw what is left of the tobacco rod and any ashes into the hollow tube, once the adhesive is deactivated during use. At the same time, it is desirable for the tobacco rod to have a length such as to provide the consumer with a smoking experience as close as possible to that afforded by conventional filter cigarettes, that is, one wherein about six to eight puffs are required for substantially consuming the tobacco rod.

In preferred embodiments, a length of the affixing portion of the charge of tobacco material is at least about 1 millimetre. In addition, or as an alternative, a length of the affixing portion is preferably less than about 10 millimetres. More preferably, a length of the affixing portion is less than about 8 millimetres. In particularly preferred embodiments, a length of the affixing portion of the charge of tobacco material is about 5 millimetres.

In some embodiments, the charge of tobacco material comprises tobacco cut filler. Preferably, a tobacco density of the tobacco cut filler is at least about 200 milligrams/cubic centimetre. More preferably, a tobacco density of the tobacco cut filler is at least about 250 milligrams/cubic centimetre. Even more preferably, a tobacco density of the tobacco cut filler is at least about 300 milligrams/cubic centimetre. In addition or as an alternative, a tobacco density of the tobacco cut filler is preferably less than about 700 milligrams/cubic centimetre. More preferably, a tobacco density of the tobacco cut filler is less than about 600 milligrams/cubic centimetre. Even more preferably, a tobacco density of the tobacco cut filler is less than about 500 milligrams/cubic centimetre. The tobacco density of the charge of tobacco material may be substantially constant across the whole length of the charge of tobacco material. In other embodiments, the tobacco density varies along the length of the charge of tobacco material, the tobacco density at the affixing portion of the charge of tobacco material being greater than the tobacco density at the upstream end of the charge of tobacco material.

In other embodiments, the charge of tobacco material comprises crimped reconstituted tobacco. This is advantageous in that the charge of tobacco material may substantially be formed from a single piece of reconstituted tobacco, and so a stronger connection can be created between the charge of tobacco material and the wrapper. By way of example, the tobacco rod may be formed from crimped cast leaf.

At least a dot of adhesive is provided at a location along the affixing portion to secure the charge of tobacco material to the wrapper. In some embodiments, the thermally deactivatable adhesive is provided over an affixing area of the outer surface of the charge of tobacco material or of the inner surface of the wrapper or of both, the affixing area extending circumferentially about the charge of tobacco material. In practice a ring of adhesive is provided to secure the charge of tobacco material to the wrapper.

Without wishing to be bound by theory, it is understood that when the burning coal approaches the affixing portion of one such smoking article and the adhesive is heated to a temperature equal to or above the deactivation temperature, the structural connection between the charge of tobacco material and the wrapper tube provided by one such adhesive ring is substantially entirely eliminated. This is because the whole ring is heated to substantially the same temperature, and so the force required for drawing what is left of the charge of tobacco material inside the hollow tube decreases almost instantaneously.

In alternative embodiments, the thermally deactivatable adhesive is provided over the outer surface of the charge of tobacco material or of the inner surface of the wrapper or of both in a pattern spiralling about the charge of tobacco material over a predetermined length. In practice adhesive is provided about the circumference of the tobacco rod and at different longitudinal locations. Without wishing to be bound by theory, it is understood that when the burning coal approaches the affixing portion of one such smoking article and the adhesive is heated to a temperature equal to or above the deactivation temperature, the structural connection between the charge of tobacco material and the wrapper provided by one such adhesive spiral is progressively weakened as the burning coal approaches. This is because portions of the adhesive spiral at a more upstream location reach the deactivation temperature earlier than portions of the adhesive spiral at a more downstream location. Thus, the force required for drawing what is left of the charge of tobacco material inside the hollow tube decreases gradually.

Thus, by selecting different adhesive patterns for the affixing portion, it is advantageously possible to fine tune how the force required for effectively extinguishing the smoking article during use.

Preferably, a gas permeability of the hollow tube is less than about 10 CORESTA units. More preferably, the hollow tube is substantially air-impermeable.

In some embodiments, the smoking article comprises a ventilation zone. The ventilation zone may be at a location along the filter or at a location along the hollow tube. During smoking, the consumer should occlude the ventilation openings with his fingers when the time comes for drawing what is left of the charge of tobacco material into the hollow tube, since the pressure drop caused by the ventilation zone may otherwise impact the consumer's ability to do so.

In order to draw what remains of the smoked charge of tobacco material into the hollow tube, the consumer applies on the smoked charge of tobacco material a force that is proportional

to the product of the RTD (resistance to draw) of the smoked charge of tobacco material by the cross sectional area of the smoked charge of tobacco material. The RTD of the smoked charge of tobacco material corresponds approximately to the sum of the RTD of the ash, the RTD of the burning coal, and the RTD of the remaining tobacco.

5 In smoking articles in accordance with the present invention, the RTD of the smoked tobacco rod is preferably at least about 20 millimetres H₂O. More preferably, the RTD of the smoked tobacco rod is preferably at least about 30 millimetres H₂O. Even more preferably, the RTD of the smoked tobacco rod is preferably at least about 40 millimetres H₂O. In addition, or as an alternative, the RTD of the smoked tobacco rod is preferably less than about 200 millimetres
10 H₂O. More preferably, the RTD of the smoked tobacco rod is less than about 180 millimetres H₂O. Even more preferably, the RTD of the smoked tobacco rod is less than about 160 millimetres H₂O. In particularly preferred embodiments, the RTD of the smoked tobacco rod is about 50 millimetres H₂O. In embodiments comprising a ventilation zone, the consumer needs to apply on the smoked charge of tobacco material a force that is proportional to the product of a weighed
15 value of the RTD of the smoked charge of tobacco material by the cross sectional area of the smoked charge of tobacco material, wherein the weighed value of the RTD is corrected with respect to a non-ventilated smoking article to take into account the pressure drop induced by the ventilation zone. Without wishing to be bound by theory, it is understood that the higher the ventilation level, the lower the RTD of the smoked charge of tobacco material.

20 An adhesive force of the adhesive following deactivation is preferably less than about 0.15 Newtons. More preferably, the adhesive force of the adhesive following deactivation is substantially zero.

Prior to deactivation, the adhesive preferably has a sufficient adhesion to perform the intended function (that is, attach the charge of tobacco material to the wrapper). The adhesive
25 force of the thermally deactivatable adhesive prior to deactivation is preferably at least about twice that of the adhesive after deactivation. More preferably, the adhesive force of the thermally deactivatable adhesive prior to deactivation is at least about three times that of the adhesive after deactivation. Even more preferably, the adhesive force of the thermally deactivatable adhesive prior to deactivation is at least about five times that of the adhesive after deactivation, and may
30 be at least about 10 times that of the adhesive after deactivation.

The deactivation temperature may be any temperature that may be experienced when the adhesive is exposed to the burning coal of a smoking article. Preferably, the adhesive has a deactivation temperature of less than about 120 degrees Celsius. Even more preferably, the adhesive has a deactivation temperature of less than about 90 degrees Celsius. In addition, or
35 as an alternative, the adhesive preferably has a deactivation temperature of at least about 70 degrees Celsius.

Suitable thermally deactivatable adhesives may be selected among naturally derived adhesives, such as adhesives derived from waxes, resins, gums or protein compounds. Such naturally occurring adhesives may optionally be modified to promote stable bonding properties. As an alternative, starch, modified starch, carbohydrates and polysaccharides, such as dextrin, may also find use as the thermally deactivatable adhesive of the present invention. Starch and dextrin adhesives, in particular, offer the advantage of high availability and relatively low cost coupled with good adhesion properties and biodegradability. As one further alternative, suitable thermally deactivatable adhesives for use in the present invention may be selected among synthetic adhesives, including one- and two-part adhesives as well as anaerobic and moisture-cure adhesives.

In some embodiments, the deactivation temperature corresponds to the melting point of the adhesive, that is, the temperature at which the adhesive changes state from solid to liquid. Examples of suitable adhesives for which the deactivation temperature corresponds to the melting point of the adhesive include, but are not limited to, gelatin, agar-agar, saccharose, microcrystalline waxes, guar gum.

In other embodiments, the deactivation temperature corresponds to a glass transition temperature of the adhesive, that is, the temperature at which the adhesive changes from a hard and relatively brittle, glassy state into a viscous, rubbery state. Examples of suitable adhesives for which the deactivation temperature corresponds to a glass transition temperature of the adhesive include, but are not limited to, starch, invert sugar, polyvinyl alcohol (PVOH), polylactic acid, carrageenan.

In further embodiments, the deactivation temperature corresponds to a decomposition temperature of the adhesive, that is, the temperature at which the adhesive undergoes a degradation process typically accompanied by weight loss due to loss of moisture or of other groups loosely bonded to the main polymeric backbone, pyrolysis or other reactions.

Other examples of suitable adhesives include, but are not limited to, dextrin, alginate, gum Arabic, natural resins such as Chios mastic, rosin esters.

The elapsed time required for deactivation of the deactivatable adhesive may also impact the performance of a smoking article in accordance with the present invention. The deactivation should be rapid enough to prevent the need for the application of excessive removal force by the consumer. Typically, the elapsed time required for deactivation should be less than 10 seconds, preferably less than about 5 seconds, even more preferably less than about 1 second.

The invention will now be further described, by way of example only, with reference to the accompanying drawings in which:

Figure 1 is a schematic side view of a smoking article in accordance with the present invention prior to smoking;

Figure 2 is a schematic side view of the smoking article of Figure 1 immediately prior to extinguishment; and

Figure 3 is a schematic side view of the smoking article of Figures 1 and 2 after extinguishment.

5 Figure 1 shows a smoking article 10 in accordance with the present invention. The smoking article 10 comprises a charge 12 of tobacco material and a wrapper 14 circumscribing the charge 12 of tobacco material. Further, the smoking article 10 comprises a filter 16 arranged downstream of the charge 12 of tobacco material. A ventilation zone 160 is provided at a location along the filter 16.

10 In addition, the smoking article comprises a hollow tube 18 attaching the filter 16 to the wrapper 14. Thus an inner cavity 20 is defined between the charge 12 of tobacco material and the filter 16.

In more detail, an affixing portion 22 of the wrapper 14 is received within the inner cavity 20 and permanently secured to the hollow tube 18 by means of a permanent adhesive 24 provided
15 between the outer surface of the affixing portion 22 of the wrapper 14 and the inner surface of the hollow tube 18.

A downstream end 26 of the charge 12 of tobacco material is secured to the wrapper 14 by means of a thermally deactivatable adhesive 28 provided on an outer surface of the charge 12 of tobacco material. In the embodiment of Figure 1, the thermally deactivatable adhesive 28 is
20 provided over an affixing area of the outer surface of the charge 12 of tobacco material extending circumferentially about the charge 12 of tobacco material to ensure a strong connection between the tobacco material in the charge and the wrapper. The thermally deactivatable adhesive 28 has a deactivation temperature of about 70 degrees Celsius.

During use, as the burning coal approaches the hollow tube 18 and ashes 30 are produced
25 (see Figure 2), the temperature at the downstream end of the charge 12 of tobacco material and of the wrapper 14 increases. When the temperature at the affixing portion 22 reaches the deactivation temperature of the adhesive 28, the adhesive 28 is deactivated and there is no longer a structural connection between what is left of the charge 12 of tobacco material and the wrapper 14. Thus, what is left of the charge 12 of tobacco material becomes slidable within what is left of
30 the wrapper 14 and the hollow tube 18 in relation to the filter 14. When the consumer next puffs on the filter 14, what is left of the charge 12 of tobacco material along with any ashes 30 is therefore drawn into the hollow tube 18 (see Figure 3) and this advantageously causes the smoking article to extinguish without the consumer needing to use an ash tray.

CLAIMS

1. A smoking article comprising:
 - a charge of tobacco material;
 - 5 a wrapper circumscribing the charge of tobacco material;
 - a filter arranged downstream of the charge of tobacco material;
 - a hollow tube defining an inner cavity and attaching the filter to the wrapper, an affixing portion of the wrapper being received within the inner cavity and permanently secured to the hollow tube;
 - 10 wherein a downstream end of the charge of tobacco material is secured to the wrapper by means of a thermally deactivatable adhesive provided on an outer surface of the charge of tobacco material or on an inner surface of the wrapper or on both such that, upon deactivation of the adhesive, at least a portion of the charge of tobacco material becomes slidable within the wrapper in relation to the filter.
 - 15
2. A smoking article according to claim 1, wherein a length of the charge of tobacco material is less than about 40 millimetres.
3. A smoking article according to claim 1 or 2, wherein a length of the charge of tobacco material is at least about 12 millimetres.
- 20
4. A smoking article according to any one of the preceding claims, wherein the length of the affixing portion of the wrapper is at least about 1 millimetre.
- 25
5. A smoking article according to any one of the preceding claims, wherein the length of the affixing portion of the wrapper is less than about 10 millimetres.
6. A smoking article according to any one of claims 1 to 5, wherein the charge of tobacco material comprises tobacco cut filler.
- 30
7. A smoking article according to any one of claims 1 to 5, wherein the charge of tobacco material comprises crimped reconstituted tobacco.
8. A smoking article according to any one of claims 1 to 7, wherein the thermally deactivatable adhesive is provided over an affixing area of the outer surface of the charge of tobacco material or of the inner surface of the wrapper or of both, the affixing area extending circumferentially about the charge of tobacco material.
- 35

9. A smoking article according to any one of claims 1 to 7, wherein the thermally deactivatable adhesive is provided over the outer surface of the charge of tobacco material or of the inner surface of the wrapper or of both in a pattern spiralling about the charge of tobacco material.
- 5
10. A smoking article according to any one of claims 1 to 8 comprising a ventilation zone at a location along the filter.
11. A smoking article according to any one of claims 1 to 8 comprising a ventilation zone at a location along the hollow tube.
- 10
12. A smoking article according to any one of the preceding claims, wherein an adhesive force of the adhesive following deactivation is less than about 0.15 Newtons.
- 15
13. A smoking article according to any one of the preceding claims, wherein an adhesive force of the adhesive prior to deactivation is at least about twice the adhesive force of the adhesive following deactivation.
- 20
14. A smoking article according to any one of the preceding claims, wherein the adhesive has a deactivation temperature of less than about 120 degrees Celsius.
- 25
15. A smoking article according to any one of the preceding claims, wherein the adhesive has a deactivation temperature of less than about 90 degrees Celsius.

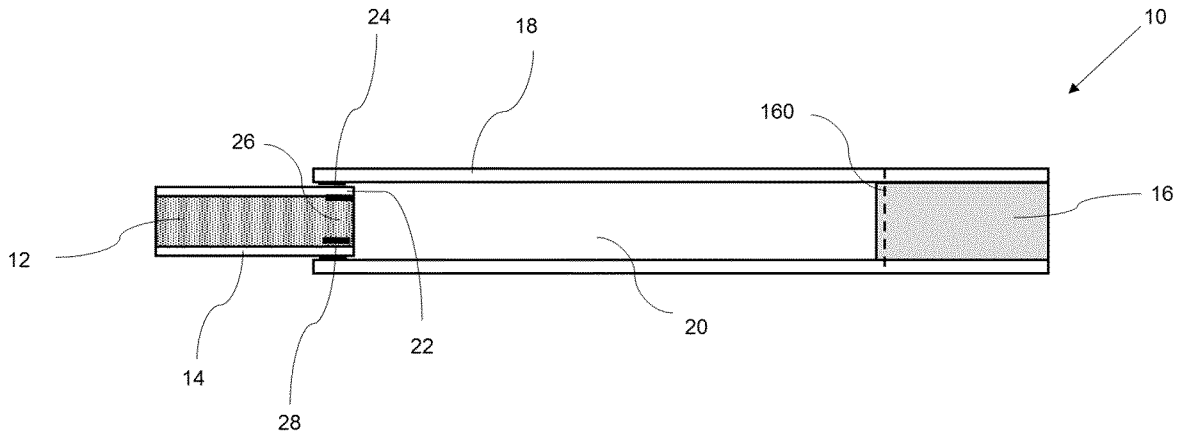


Fig. 1

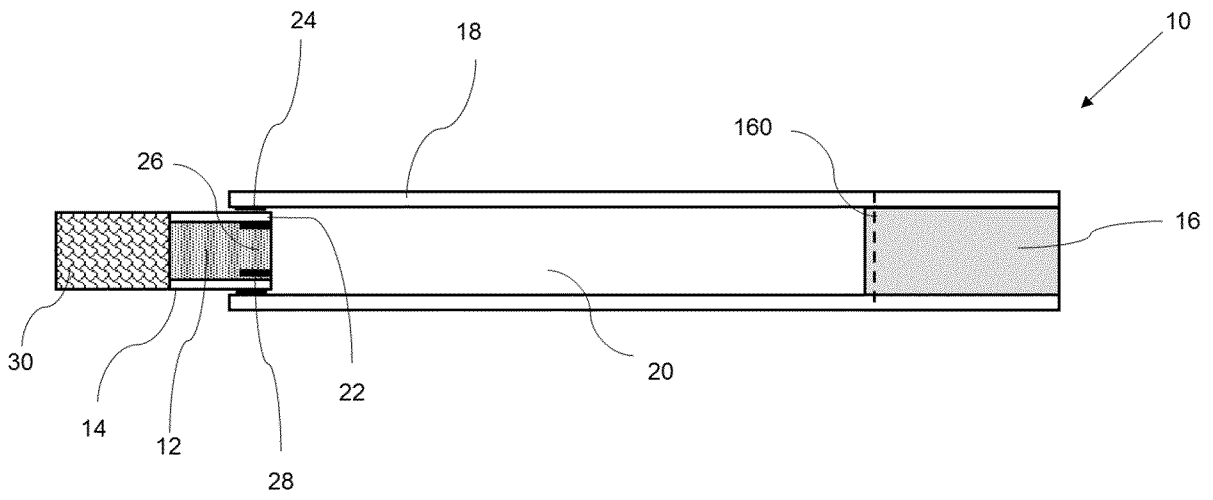


Fig. 2

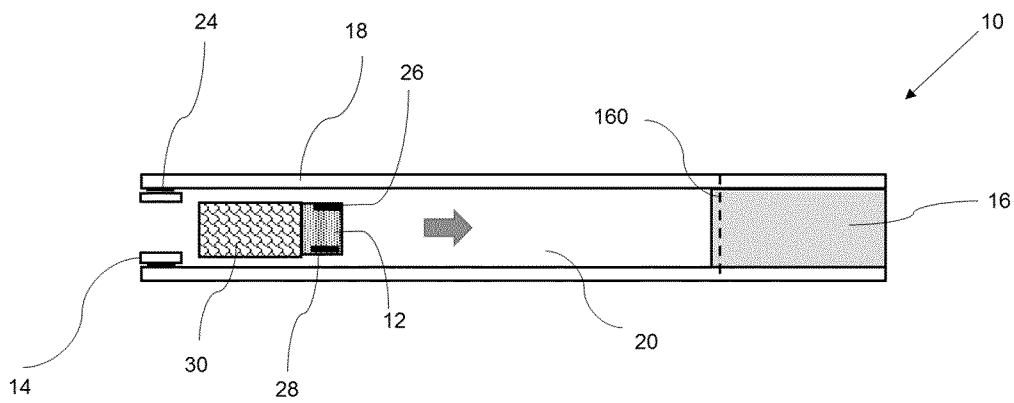


Fig. 3

INTERNATIONAL SEARCH REPORT

International application No PCT/EP2017/083383

A. CLASSIFICATION OF SUBJECT MATTER INV. A24D1/10 ADD.				
According to International Patent Classification (IPC) or to both national classification and IPC				
B. FIELDS SEARCHED Minimum documentation searched (classification system followed by classification symbols) A24D A24F				
Documentation searched other than minimum documentation to the extent that such documents are included in the fields searched				
Electronic data base consulted during the international search (name of data base and, where practicable, search terms used) EPO-Internal, WPI Data				
C. DOCUMENTS CONSIDERED TO BE RELEVANT				
Category*	Citation of document, with indication, where appropriate, of the relevant passages	Relevant to claim No.		
A	FR 2 396 519 A1 (SUCK KYUN SHIN [KR]) 2 February 1979 (1979-02-02) page 3, line 2 - page 4, line 34; claims; figures -----	1-15		
A	DE 90 15 975 U1 (KUENZEL-SCHENK GMBH [DE]) 14 March 1991 (1991-03-14) page 2, line 27 - page 4, line 8; figures -----	1-15		
A	US 3 065 756 A (NOEL DAVIES JAMES) 27 November 1962 (1962-11-27) column 2, line 28 - line 61; figures -----	1-15		
A	US 5 992 420 A (MORIYAMA YASUNOBU [JP]) 30 November 1999 (1999-11-30) abstract; figures -----	1-15		
----- -/--				
<input checked="" type="checkbox"/> Further documents are listed in the continuation of Box C. <input checked="" type="checkbox"/> See patent family annex.				
* Special categories of cited documents : <table style="width: 100%; border: none;"> <tr> <td style="width: 50%; border: none; vertical-align: top;"> "A" document defining the general state of the art which is not considered to be of particular relevance "E" earlier application or patent but published on or after the international filing date "L" document which may throw doubts on priority claim(s) or which is cited to establish the publication date of another citation or other special reason (as specified) "O" document referring to an oral disclosure, use, exhibition or other means "P" document published prior to the international filing date but later than the priority date claimed </td> <td style="width: 50%; border: none; vertical-align: top;"> "T" later document published after the international filing date or priority date and not in conflict with the application but cited to understand the principle or theory underlying the invention "X" document of particular relevance; the claimed invention cannot be considered novel or cannot be considered to involve an inventive step when the document is taken alone "Y" document of particular relevance; the claimed invention cannot be considered to involve an inventive step when the document is combined with one or more other such documents, such combination being obvious to a person skilled in the art "&" document member of the same patent family </td> </tr> </table>			"A" document defining the general state of the art which is not considered to be of particular relevance "E" earlier application or patent but published on or after the international filing date "L" document which may throw doubts on priority claim(s) or which is cited to establish the publication date of another citation or other special reason (as specified) "O" document referring to an oral disclosure, use, exhibition or other means "P" document published prior to the international filing date but later than the priority date claimed	"T" later document published after the international filing date or priority date and not in conflict with the application but cited to understand the principle or theory underlying the invention "X" document of particular relevance; the claimed invention cannot be considered novel or cannot be considered to involve an inventive step when the document is taken alone "Y" document of particular relevance; the claimed invention cannot be considered to involve an inventive step when the document is combined with one or more other such documents, such combination being obvious to a person skilled in the art "&" document member of the same patent family
"A" document defining the general state of the art which is not considered to be of particular relevance "E" earlier application or patent but published on or after the international filing date "L" document which may throw doubts on priority claim(s) or which is cited to establish the publication date of another citation or other special reason (as specified) "O" document referring to an oral disclosure, use, exhibition or other means "P" document published prior to the international filing date but later than the priority date claimed	"T" later document published after the international filing date or priority date and not in conflict with the application but cited to understand the principle or theory underlying the invention "X" document of particular relevance; the claimed invention cannot be considered novel or cannot be considered to involve an inventive step when the document is taken alone "Y" document of particular relevance; the claimed invention cannot be considered to involve an inventive step when the document is combined with one or more other such documents, such combination being obvious to a person skilled in the art "&" document member of the same patent family			
Date of the actual completion of the international search	Date of mailing of the international search report			
26 March 2018	17/04/2018			
Name and mailing address of the ISA/ European Patent Office, P.B. 5818 Patentlaan 2 NL - 2280 HV Rijswijk Tel. (+31-70) 340-2040, Fax: (+31-70) 340-3016	Authorized officer Marzano Monterosso			

INTERNATIONAL SEARCH REPORT

International application No PCT/EP2017/083383

C(Continuation). DOCUMENTS CONSIDERED TO BE RELEVANT

Category*	Citation of document, with indication, where appropriate, of the relevant passages	Relevant to claim No.
A	WO 2015/141690 A1 (JAPAN TOBACCO INC [JP]) 24 September 2015 (2015-09-24) abstract; figures -----	1-15
A	JP S45 14075 Y1 (MARUJIKE [JP]) 15 June 1970 (1970-06-15) figures -----	1-15

INTERNATIONAL SEARCH REPORT

Information on patent family members

International application No PCT/EP2017/083383

Patent document cited in search report	Publication date	Patent family member(s)	Publication date
FR 2396519	A1	02-02-1979	CH 622411 A5 15-04-1981
			DE 2735909 A1 23-02-1978
			DE 7724772 U1 28-07-1983
			FR 2396519 A1 02-02-1979
			GB 1553490 A 26-09-1979
			KR 780000246 B1 01-07-1978
			US 4121597 A 24-10-1978

DE 9015975	U1	14-03-1991	NONE

US 3065756	A	27-11-1962	NONE

US 5992420	A	30-11-1999	JP 2000004865 A 11-01-2000
			US 5992420 A 30-11-1999

WO 2015141690	A1	24-09-2015	JP 2017085897 A 25-05-2017
			TW 201542138 A 16-11-2015
			WO 2015141690 A1 24-09-2015

JP S4514075	Y1	15-06-1970	NONE
