

(19) World Intellectual Property Organization
International Bureau



(43) International Publication Date
10 February 2011 (10.02.2011)

PCT

(10) International Publication Number
WO 2011/017671 A2

- (51) **International Patent Classification:**
H01F 13/00 (2006.01) *H02K 15/03* (2006.01)
- (21) **International Application Number:**
PCT/US20 10/044794
- (22) **International Filing Date:**
6 August 2010 (06.08.2010)
- (25) **Filing Language:** English
- (26) **Publication Language:** English
- (30) **Priority Data:**

61/232,297	7 August 2009 (07.08.2009)	US
61/25 1,278	13 October 2009 (13.10.2009)	US
12/85 1,5 18	5 August 2010 (05.08.2010)	US
- (71) **Applicant (for all designated States except US):** **MAGNUM MAGNETICS CORPORATION** [US/US]; 801 Masonic Park Road, Marietta, OH 45750 (US).
- (72) **Inventor; and**
- (75) **Inventor/Applicant (for US only):** **KOREN, Trygve, Paul** [US/US]; 125 Hendricks Street, Newport, OH 45768 (US).
- (74) **Agent:** **STONEMAN, Martin, L.;** Stoneman Volk Patent Group, P.O. Box 40070, Phoenix, AZ 85067 (US).

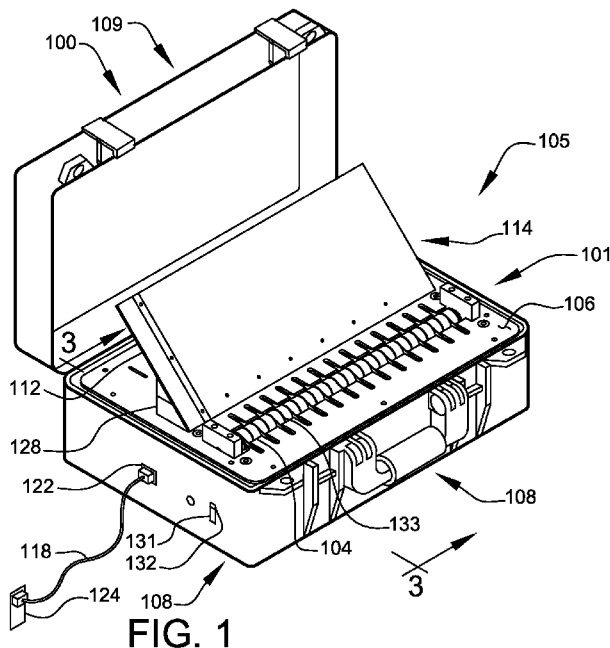
- (81) **Designated States (unless otherwise indicated, for every kind of national protection available):** AE, AG, AL, AM, AO, AT, AU, AZ, BA, BB, BG, BH, BR, BW, BY, BZ, CA, CH, CL, CN, CO, CR, CU, CZ, DE, DK, DM, DO, DZ, EC, EE, EG, ES, FI, GB, GD, GE, GH, GM, GT, HN, HR, HU, **ID, IL**, IN, IS, **JP**, KE, KG, KM, KN, KP, KR, KZ, LA, LC, LK, LR, LS, LT, LU, LY, MA, MD, ME, MG, MK, MN, MW, MX, MY, MZ, NA, NG, NI, NO, NZ, OM, PE, PG, PH, PL, PT, RO, RS, RU, SC, SD, SE, SG, SK, SL, SM, ST, SV, SY, TH, **TJ**, TM, TN, TR, TT, TZ, UA, UG, US, UZ, VC, VN, ZA, ZM, ZW.
- (84) **Designated States (unless otherwise indicated, for every kind of regional protection available):** ARIPO (BW, GH, GM, KE, LR, LS, MW, MZ, NA, SD, SL, SZ, TZ, UG, ZM, ZW), Eurasian (AM, AZ, BY, KG, KZ, MD, RU, TJ, TM), European (AL, AT, BE, BG, CH, CY, CZ, DE, DK, EE, ES, **FI**, FR, GB, GR, HR, HU, IE, IS, **IT, LT, LU, LV, MC, MK, MT, NL, NO, PL, PT, RO, SE, SI, SK, SM, TR**), OAPI (BF, **BJ**, CF, CG, CI, CM, GA, GN, GQ, GW, ML, MR, NE, SN, TD, TG).

Declarations under Rule 4.17:

— of inventorship (Rule 4A7(iv))

[Continued on next page]

(54) **Title:** PORTABLE MAGNETIZER SYSTEMS



(57) **Abstract:** Portable magnetizer systems designed for on-site use, related to magnetizing magnetizable sheets, enclosed in a case which is hand-carryable.

WO 2011/017671 A2

Published:

- *without international search report and to be republished upon receipt of that report (Rule 48.2(g))*

PORTABLE MAGNETIZER SYSTEMS**BACKGROUND**

This invention relates to providing a system for a portable magnetizer. More particularly
5 this invention relates to providing a portable system for magnetizing batches of magnetizable
sheets.

Magnetizing of magnetizable sheeting is either conducted during manufacture or in large
production lines. When only a small batch of sheets needs magnetizing, it is inefficient to utilize
large scale methods of magnetization. A high-volume production magnetizer is expensive and
10 may take up too much space for the benefit of smaller scale, occasional use on-site. Likewise,
taking a batch of sheets in to a high-volume production company for magnetization slows down
production and consequently the high-volume production company charges increased fees. A
system is needed to magnetize on-site, for less cost, in a portable and space saving manner.

OBJECTS AND FEATURES OF THE INVENTION

15 A primary object and feature of the present invention is to provide a system overcoming
the above-mentioned problem.

It is a further object and feature of the present invention to provide such a system in a
portable storage case.

Another object and feature of the present invention is to provide such a system having a
20 rotating magnetic roller to magnetize magnetizable planar sheets.

A further object and feature of the present invention is to provide such a system that
magnetizes magnetizable planar sheets at a rate of about 15 feet/min.

It is an additional object and feature of the present invention to provide such a system that
is capable of being carried by hand.

25 Another object and feature of the present invention is to provide such a system having a
magnetic roller of discrete field-producing laminations.

Yet a further object and feature of the present invention is to provide such a system
having sheet decouplers to separate a magnetized sheet from such magnetic roller.

It is another object and feature of the present invention to provide such a system having a
30 magnetic field between **4000 Gauss** and **6000 Gauss**.

A further object and feature of the present invention is to provide such a system that is
capable of magnetizing magnetizable planar sheets having a width of less than 13 inches.

Another primary object and feature of the present invention is to provide such a system
that is capable of high-energy magnetization of a high-energy magnetizable sheet.

A further primary object and feature of the present invention is to provide such a system that is efficient, inexpensive, and handy. Other objects and features of this invention will become apparent with reference to the following descriptions.

SUMMARY OF THE INVENTION

5 In accordance with a preferred embodiment hereof, this invention provides a system, relating to enabling magnetization of at least one planar sheet of flexible magnetizable material, such system comprising: magnetizer means for providing at least one magnetic field source; positioner means for permitting positioning the at least one planar sheet into at least one magnetizing interaction relationship with such magnetizer means; enclosure means for enclosing
10 such magnetizer means and such positioner means; and hand-carrier means for permitting hand-carrying of such enclosure means. Moreover, it provides such a system further comprising axial-holder means for axially-holding such magnetizer means along a single longitudinal axis. Additionally, it provides such a system further comprising rotary movement generator means for generating rotary movement of such axial-holder means. Also, it provides such a system
15 wherein such enclosure means comprises securable briefcase means for providing briefcase-securing of such enclosure means.

In accordance with another preferred embodiment hereof, this invention provides a system, relating to enabling magnetization of at least one planar sheet of flexible magnetizable material, such system comprising: at least one magnetizer structured and arranged to provide at
20 least one magnetic field source; at least one positioner structured and arranged to permit positioning the at least one planar sheet into at least one magnetizing interaction relationship with such at least one magnetizer; at least one enclosure structured and arranged to enclose such at least one magnetizer and such at least one positioner; and at least one hand-carrier structured and arranged to permit hand-carrying of such at least one enclosure. In addition, it provides such
25 a system wherein such at least one magnetizer comprises at least one permanent magnet.

And, it provides such a system wherein: such at least one magnetizer comprises at least one magnetizer bar comprising at least one longitudinal axis; such at least one magnetizer bar comprises a plurality of discrete field-producing lamination-sets spaced along such at least one longitudinal axis; each discrete field-producing lamination-set of such plurality comprises at
30 least one circular magnetic disk and at least one circular flux-conducting spacer magnetically coupled with such at least one circular magnetic disk; and each such at least one circular magnetic disk and each such at least one circular flux-conducting spacer are coaxial with such at least one first longitudinal axis. Further, it provides such a system further comprising at least

one axial-holder structured and arranged to axially-hold such at least one magnetizer bar along such at least one longitudinal axis.

Even further, it provides such a system further comprising at least one rotary movement generator structured and arranged to generate rotary movement of such at least one axial-holder and such at least one magnetizer bar. Moreover, it provides such a system wherein such at least one magnetizer bar is structured and arranged to magnetically couple to the at least one planar sheet to transfer movement to the at least one planar sheet. Additionally, it provides such a system wherein such at least one magnetizer bar is structured and arranged to rotate to move the at least one planar sheet through at least one magnetic field. Also, it provides such a system further comprising at least one planar sheet decoupler structured and arranged to decouple the at least one planar sheet from such at least one magnetizer bar during movement of the at least one planar sheet through at least one magnetic field. In addition, it provides such a system wherein such at least one magnetizer bar is structured and arranged to rotate to move the at least one planar sheet through such at least one magnetic field at a rate from about 10 feet per minute to about 50 feet per minute.

And, it provides such a system wherein such at least one magnetizer bar rotates to move the at least one planar sheet through such at least one magnetic field at a rate of at about 15 feet/min. Further, it provides such a system wherein such at least one sheet decoupler comprises a plurality of decoupler elements. Even further, it provides such a system wherein each of such plurality of decoupler elements are spaced about every inch along such at least one longitudinal axis. Moreover, it provides such a system wherein such at least one magnetizer bar comprises from about 10 to about 20 laminations per inch. Additionally, it provides such a system wherein such at least one magnetizer bar comprises exactly 12 laminations per inch.

Also, it provides such a system wherein such at least one magnetizer bar comprises a magnetic field of about 5000 Gauss to about 6000 Gauss. In addition, it provides such a system wherein such at least one magnetizer bar comprises exactly 16 laminations per inch. And, it provides such a system wherein such at least one magnetizer bar comprises a magnetic field of about 4000 Gauss to about 5000 Gauss. Further, it provides such a system wherein such at least one positioner comprises at least one user-adjustable planar sheet feeder structured and arranged to user-adjustably feed the at least one planar sheet into such at least one magnetizer. Even further, it provides such a system wherein such at least one adjustable planar sheet feeder accepts a sheet width of less than about 13 inches. Moreover, it provides such a system wherein such at least one adjustable planar sheet feeder collapses to allow containment in such at least one enclosure when stored.

Additionally, it provides such a system wherein such at least one rotary movement generator comprises at least one motor. Also, it provides such a system further comprising: at least one power cord structured and arranged to assist power transfer from at least one power source to such at least one rotary movement generator; wherein such at least one power cord may
5 be contained in such at least one enclosure when stored. In addition, it provides such a system wherein such at least one enclosure comprises at least one securable briefcase structured and arranged to provide briefcase securing of such at least one enclosure. And, it provides such a system wherein such at least one hand-carrier comprises at least one handle. Further, it provides such a system further comprising at least one mounting member structured and arranged to
10 mount, in at least one operational alignment, such at least one positioner and such at least one magnetizer to such at least one enclosure.

Even further, it provides such a system further comprising at least one mounting member structured and arranged to mount, in at least one operational alignment, such at least one positioner and such at least one magnetizer to such at least one enclosure. Even further, it
15 provides such a system wherein such at least one mounting member comprises at least one aligning-mounting plate. Even further, it provides such a system wherein such at least one aligning-mounting plate mounts to such at least one enclosure. Even further, it provides such a system wherein such at least one aligning-mounting plate divides such at least one enclosure into: at least one operation-isolated-region structured and arranged to assist protection of such at
20 least one magnetizer and such at least one rotary movement generator from external interaction, during operation of such at least one magnetizer; and at least one operation-accessible-region structured and arranged to permit user access during operation of such at least one magnetizer. Even further, it provides such a system wherein such at least one enclosure comprises at least one aperture structured and arranged to permit operating power connection between such at least
25 one rotary movement generator and external power source.

In accordance with another preferred embodiment hereof, this invention provides a system, relating to enabling magnetization of at least one planar sheet of flexible magnetizable material, such system comprising: at least one magnetizer structured and arranged to provide at least one magnetic field source; at least one positioner structured and arranged to permit
30 positioning the at least one planar sheet into at least one magnetizing interaction relationship with such at least one magnetizer; at least one enclosure structured and arranged to enclose such at least one magnetizer and such at least one positioner; and at least one hand-carrier structured and arranged to permit hand-carrying of such at least one enclosure. Moreover, it provides such a system wherein such at least one magnetizer comprises at least one permanent magnet.

Additionally, it provides such a system wherein: such at least one magnetizer comprises at least one magnetizer bar comprising at least one longitudinal axis; such at least one magnetizer bar comprises a plurality of discrete field-producing lamination-sets spaced along such at least one longitudinal axis; each discrete field-producing lamination-set of such plurality comprises at least one circular magnetic disk and at least one circular flux-conducting spacer magnetically coupled with such at least one circular magnetic disk; and each such at least one circular magnetic disk and each such at least one circular flux-conducting spacer are coaxial with such at least one longitudinal axis. Also, it provides such a system further comprising at least one axial-holder structured and arranged to axially-hold such at least one magnetizer bar along such at least one longitudinal axis.

In addition, it provides such a system further comprising at least one rotary movement generator structured and arranged to generate rotary movement of such at least one axial-holder and such at least one magnetizer bar. And, it provides such a system wherein such at least one magnetizer bar is structured and arranged to magnetically couple to the at least one planar sheet, when the at least one planar sheet is in position to pass through at least one magnetic field produced by such at least one magnetic field source, to transfer movement to the at least one planar sheet. Further, it provides such a system wherein such at least one magnetizer bar is structured and arranged to rotate to move the at least one planar sheet through at least one magnetic field. Even further, it provides such a system further comprising at least one planar sheet decoupler structured and arranged to decouple the at least one planar sheet from such at least one magnetizer bar during movement of the at least one planar sheet through at least one magnetic field. Moreover, it provides such a system wherein, when the at least one planer sheet is in position and coupled to such at least one magnetizer bar, such at least one magnetizer bar is structured and arranged to rotate to move the at least one planar sheet through such at least one magnetic field at a rate from about 10 feet per minute to about 50 feet per minute. Additionally, it provides such a system wherein, when the at least one planer sheet is in position and coupled to such at least one magnetizer bar, such at least one magnetizer bar is structured and arranged to rotate to move the at least one planar sheet through such at least one magnetic field at a rate of at about 15 feet/min.

Also, it provides such a system wherein such at least one sheet decoupler comprises a plurality of decoupler elements. In addition, it provides such a system wherein each of such plurality of decoupler elements are spaced about every inch along such at least one longitudinal axis. And, it provides such a system wherein such at least one sheet decoupler comprises at least one planar rigid decoupler plate. Further, it provides such a system wherein such at least one

planar rigid decoupler plate comprises a plurality of apertures structured and arranged to permit protrusion of at least one portion of such at least one magnetizer bar to assist movement of the at least one planar sheet, when the at least one planer sheet is in position and coupled to such at least one magnetizer bar. Even further, it provides such a system wherein such at least one
5 magnetizer bar comprises at least one magnetizer bar set situate partially above and partially below a movement track of the at least one planar sheet. Moreover, it provides such a system wherein such at least one magnetizer bar set comprises at least two magnetizer bar sub-sets, each such magnetizer bar sub-set comprising: at least one magnetic field source above the movement track; at least one magnetic field source below the movement track; and at least one flux field
10 situate between such at least one magnetic field source above the movement track and such at least one magnetic field source below the movement track; wherein such at least one flux field crosses the movement track.

Additionally, it provides such a system further comprising at least one magnetic field source aligner structured and arranged to align such at least one magnetic field source above the
15 movement track and such at least one magnetic field source below the movement track in such manner as to maximize such at least one flux field crossing the movement track. Also, it provides such a system wherein each upper magnetic field source is encased to provide at least one smooth surface. In addition, it provides such a system wherein an encasing material allows maximum transmission of magnetic field. And, it provides such a system wherein such encasing
20 material comprises brass. Further, it provides such a system wherein such at least one magnetizer bar comprises at least one magnetizer bar set situate below a movement track of the at least one planar sheet. Even further, it provides such a system wherein each such discrete field-producing lamination-set comprises from about 10 to about 20 laminations per inch. Moreover, it provides such a system wherein each such discrete field-producing lamination-set
25 comprises exactly 12 laminations per inch.

Additionally, it provides such a system wherein each such discrete field-producing lamination-set comprises a magnetic field of about 5000 Gauss to about 6000 Gauss. Also, it provides such a system wherein each such discrete field-producing lamination-set comprises exactly 16 laminations per inch. In addition, it provides such a system wherein each such
30 discrete field-producing lamination-set comprises a magnetic field of about 4000 Gauss to about 5000 Gauss. And, it provides such a system wherein such at least one rotary movement generator comprises at least one motor. Further, it provides such a system further comprising: at least one power cord structured and arranged to assist power transfer from at least one external power source to such at least one rotary movement generator; wherein such at least one power

cord may be contained within such at least one enclosure when stored. Even further, it provides such a system further comprising at least one mounting member structured and arranged to mount, in at least one operational alignment, such at least one positioner and such at least one magnetizer to such at least one enclosure. Moreover, it provides such a system wherein such at least one mounting member comprises at least one aligning-mounting plate. Additionally, it provides such a system, wherein such at least one aligning-mounting plate comprises such at least one planar rigid decoupler plate. Also, it provides such a system wherein such at least one planar rigid decoupler plate comprises a plurality of apertures structured and arranged to permit protrusion of at least one portion of such at least one magnetizer bar to assist movement of the at least one planar sheet.

In addition, it provides such a system wherein such at least one aligning-mounting plate mounts to such at least one enclosure. And, it provides such a system wherein such at least one aligning-mounting plate divides such at least one enclosure into: at least one operation-isolated-region structured and arranged to assist protection of such at least one magnetizer and such at least one rotary movement generator from external interaction, during operation of such at least one magnetizer; and at least one operation-accessible-region structured and arranged to permit user access during operation of such at least one magnetizer. Further, it provides such a system wherein such at least one enclosure comprises at least one aperture structured and arranged to permit operating power connection between such at least one rotary movement generator and external power source. Even further, it provides such a system wherein such at least one enclosure comprises at least one securable briefcase structured and arranged to provide briefcase securing of such at least one enclosure.

Moreover, it provides such a system wherein such at least one hand-carrier comprises at least one handle. Additionally, it provides such a system further comprising at least one mounting member structured and arranged to mount, in at least one operational alignment, such at least one positioner and such at least one magnetizer to such at least one enclosure. Also, it provides such a system wherein such at least one positioner comprises at least one user-adjustable planar sheet feeder structured and arranged to user-adjustably feed the at least one planar sheet into such at least one magnetizer. In addition, it provides such a system wherein such at least one adjustable planar sheet feeder accepts a sheet width of less than about 13 inches. And, it provides such a system wherein such at least one adjustable planar sheet feeder collapses to allow containment in such at least one enclosure when stored.

In accordance with another preferred embodiment hereof, this invention provides a system, related to magnetization of at least one substantially planar sheet of substantially flexible

magnetizable material, such system comprising: at least one first magnetic field source structured and arranged to produce at least one first magnetic field; at least one second magnetic field source structured and arranged to produce at least one second magnetic field; and at least one geometric positioner structured and arranged to geometrically position such at least one first magnetic field source and such at least one second magnetic field source to generate at least one first magnetic-flux field region resulting from at least one magnetic-field interaction between such at least one first magnetic field and such at least one second magnetic field; wherein such at least one first magnetic-flux field region is situate substantially between such at least one first magnetic field source and such at least one second magnetic field source; wherein such at least one geometric positioner comprises at least one passage structured and arranged to allow moving passage of the substantially flexible magnetizable material through such at least one first magnetic-flux field region; at least one enclosure structured and arranged to enclose such at least one first magnetic field source, such at least one second magnetic field source, and such at least one geometric positioner; and at least one hand-carrier structured and arranged to permit hand-carrying of such at least one enclosure.

Further, it provides such a system wherein: such at least one second magnetic field source is structured and arranged to make physical contact with the at least one substantially planar sheet of substantially flexible magnetizable material during passage through such at least one first magnetic-flux field region; and such at least one first magnetic field source is structured and arranged to avoid physical contact with the at least one substantially planar sheet of substantially flexible magnetizable material during passage through such at least one first high-flux field region. Even further, it provides such a system wherein: each of such at least one first magnetic field source and such at least one second magnetic field source comprises at least one magnetizer bar comprising at least one longitudinal axis; such at least one magnetizer bar comprises a plurality of discrete field-producing lamination-sets spaced along such at least one longitudinal axis; each discrete field-producing lamination-set of such plurality comprises at least one circular magnetic disk and at least one circular flux-conducting spacer magnetically coupled with such at least one circular magnetic disk; and each such at least one circular magnetic disk and each such at least one circular flux-conducting spacer are coaxial with such at least one longitudinal axis.

Moreover, it provides such a system further comprising at least one axial-holder structured and arranged to axially-hold such at least one magnetizer bar along such at least one longitudinal axis. Additionally, it provides such a system further comprising at least one rotary movement generator structured and arranged to generate rotary movement of such at least one

axial-holder and such at least one magnetizer bar. Also, it provides such a system wherein such at least one magnetizer bar is structured and arranged to magnetically couple to the at least one planar sheet, when the at least one planar sheet is in position to pass through at least one magnetic field produced by such at least one magnetic field source, to transfer movement to the at least one planar sheet. In addition, it provides such a system wherein, when the at least one planer sheet is in position and coupled to such at least one magnetizer bar, such at least one magnetizer bar is structured and arranged to rotate to move the at least one planar sheet through such at least one first magnetic-flux field region. And, it provides such a system further comprising at least one planar sheet decoupler structured and arranged to decouple the at least one planar sheet from such at least one magnetizer bar during movement of the at least one planar sheet through such at least one first magnetic-flux field region. Further, it provides such a system wherein such at least one magnetizer bar is structured and arranged to rotate to move the at least one planar sheet through such at least one first magnetic-flux field region at a rate from about 10 feet per minute to about 50 feet per minute. Even further, it provides such a system wherein such at least one magnetizer bar rotates to move the at least one planar sheet through such at least one first magnetic-flux field region at a rate of at about 15 feet/min.

Even further, it provides such a system wherein such at least one magnetizer bar comprises at least one magnetizing portion comprising from about 10 to about 20 laminations per inch. Even further, it provides such a system wherein such at least one magnetizing portion comprises exactly 16 laminations per inch. Even further, it provides such a system wherein such at least one magnetizing portion comprises a magnetic field of about 4000 Gauss to about 5000 Gauss. Even further, it provides such a system wherein such at least one sheet decoupler comprises at least one planar rigid decoupler plate. Even further, it provides such a system wherein such at least one planar rigid decoupler plate comprises a plurality of apertures structured and arranged to permit protrusion of at least one portion of such at least one magnetizer bar to assist movement of the at least one planar sheet. Even further, it provides such a system wherein such at least one planar rigid decoupler plate mounts to such at least one enclosure.

Even further, it provides such a system wherein such at least one planar rigid decoupler plate divides such at least one enclosure into: at least one operation-isolated-region structured and arranged to assist protection of such at least one magnetizer and such at least one rotary movement generator from external interaction, during operation of such at least one magnetizer; and at least one operation-accessible-region structured and arranged to permit user access during operation of such at least one magnetizer. Even further, it provides such a system further

comprising at least one user-adjustable planar sheet feeder structured and arranged to user-adjustably feed the at least one planar sheet through such at least one first magnetic-flux field region. Even further, it provides such a system wherein such at least one adjustable planar sheet feeder accepts a sheet width of less than about 13 inches. Even further, it provides such a system
5 wherein such at least one adjustable planar sheet feeder collapses to allow containment in such at least one enclosure when stored. Even further, it provides such a system further comprising at least one magnetic field source aligner structured and arranged to align such at least one first magnetic field source above the movement track and such at least one second magnetic field source below the movement track in such manner as to maximize such at least one magnetic-flux
10 field region crossing the movement track. Even further, it provides such a system each such at least one first magnetic field source is encased to provide at least one smooth surface. Even further, it provides such a system wherein the encasing material allows maximum transmission of magnetic field. Even further, it provides such a system wherein the encasing material comprises brass.

15 In accordance with another preferred embodiment hereof, this invention provides a briefcase system comprising: at least one briefcase; wherein such at least one briefcase comprises at least one aperture providing access to an interior of such at least one briefcase even when such at least one briefcase is closed. In accordance with a preferred embodiment hereof, this invention provides, each and every novel feature, element, combination, step and/or method
20 disclosed or suggested by this patent application.

BRIEF DESCRIPTION OF THE DRAWINGS

FIG. 1 shows a perspective view, illustrating a preferred portable magnetizer system in at least one preferred operable configuration, according to a preferred embodiment of the present invention.

25 FIG. 2 shows a side view, illustrating a preferred portable magnetizer being carried by a user, according to the preferred embodiment of FIG. 1.

FIG. 3 shows a partial cross-sectional view through the section 3-3 of FIG. 1, illustrating a flexible magnetizable sheet in transit adjacent to a magnetic roller, according to the preferred embodiment of FIG. 1.

30 FIG. 4 shows a perspective view, illustrating a briefcase enclosure in an open position with loose items and a feed tray secured therein, according to the preferred embodiment of FIG. 3.

FIG. 5 shows a perspective view illustrating such briefcase enclosure in a stowed configuration, according to the preferred embodiment of FIG. 4.

FIG. 6 shows a top view, illustrating at least one magnetizer array with array mounts, according to the preferred embodiment of FIG. 1.

FIG. 7A shows an enlarged top view, illustrating a preferred magnetic stack, according to a preferred embodiment of the present invention.

5 FIG. 7B shows a sectional view through the section 7B-7B of FIG. 7A, illustrating a 12-PPI stack set on a shaft.

FIG. 8A shows an enlarged top view, illustrating an alternately preferred magnetic stack, according to a preferred embodiment of the present invention.

10 FIG. 8B shows a sectional view through the section 8B-8B of FIG. 8A, illustrating a 16-PPI stack set on a shaft.

FIG. 9 shows a sectional view through the section 9-9 of FIG. 6, illustrating a stripper plate with a small-diameter washer, shaft, and a stabilizer bar.

FIG. 10 shows a sectional view through the section 10-10 of FIG. 6, illustrating at least one array mount.

15 FIG. 11 shows an isometric exploded view, illustrating at least one magnetizer array assembly, according to the preferred embodiment of FIG. 10.

FIG. 12 shows a top view, illustrating such at least one magnetizer array attached to such panel, according to the preferred embodiment of FIG. 11.

20 FIG. 13 shows a partial sectional view through the section 13-13 of FIG. 12, illustrating such at least one array mount attachment to such panel, according to the preferred embodiment of FIG. 12.

FIG. 14 shows an isometric view, illustrating the feed tray mounted to such panel, according to the preferred embodiment of FIG. 13.

25 FIG. 15 shows an enlarged partial cross-section through the section 15-15 of FIG. 14, illustrating at least one hinge attaching feed tray to such panel.

FIG. 16 shows a side exploded elevation view, illustrating at least one tray mount, according to the preferred embodiment of FIG. 15.

FIG. 17 shows a side view of the magnetizer, illustrating the feed tray and tray mounts deployed to an operable position, according to the preferred embodiment of FIG. 16.

30 FIG. 18 shows partial underside view of such panel, illustrating at least one motor and chain drive, according to the preferred embodiment of FIG. 17.

FIG. 19 shows the sectional view 19-19 of FIG. 18, illustrating such motor and chain drive.

FIG. 20 shows a partial-exploded perspective view illustrating at least one high-energy portable magnetizer according to an alternately preferred embodiment of the present invention.

FIG. 21 shows a diagrammatic side view, illustrating at least one feed path through such at least one high-energy portable magnetizer, according to the preferred embodiment of FIG. 20.

5 FIG. 22 shows an isometric exploded view, illustrating at least one high-energy magnetizer array assembly, according to the preferred embodiment of FIG. 21.

FIG. 23 shows an isometric exploded view, illustrating at least one upper magnetizer array subassembly, according to the preferred embodiment of FIG. 22.

10 FIG. 24 shows a top view of such at least one high-energy magnetizer array assembly, illustrating at least one rotational drive subassembly, according to the preferred embodiment of FIG. 23.

FIG. 25 shows a front view of such at least one high-energy magnetizer array assembly, illustrating such at least one rotational drive subassembly, according to the preferred embodiment of FIG. 23.

15 FIG. 26 shows the sectional view 26-26 of FIG. 24, illustrating such at least one rotational drive subassembly.

DETAILED DESCRIPTION OF THE BEST MODES AND PREFERRED EMBODIMENTS OF THE INVENTION

20 Magnetizeable sheets preferably comprise a printable surface that allows them to be printed on by standard printers. These magnetizable sheets can cause problems with printers when they are run through the printer after magnetization, since a magnetic field may interfere with the operability of the printer. One solution to this problem is to print on the printable side of the magnetizable sheets prior to magnetization. The sheets would then not interfere with printer function, and after printing, the sheet may then be run through a magnetizer.

25 FIG. 1 shows a perspective view, illustrating a preferred portable magnetizer system 100 in at least one preferred operable configuration 109. Portable magnetizer system 100 preferably provides a solution to the stated problem of portable onsite magnetizing. Portable magnetizer system 100 preferably comprises at least one portable magnetizer 105. Portable magnetizer 105 preferably comprises at least one briefcase enclosure 108. Upon reading the teachings of this
30 specification, those skilled in the art will now appreciate that, under appropriate circumstances, considering such issues as cost, future technologies, etc., other enclosures, such as, for example, box enclosures, top carry enclosures, soft case enclosures, etc., may suffice.

Portable magnetizer 105 preferably comprises at least one magnetizer 101 housed inside briefcase enclosure 108 (at least embodying herein enclosure means for enclosing said

magnetizer means and said positioner means; and at least embodying herein at least one enclosure structured and arranged to enclose said at least one magnetizer and said at least one positioning geometry), as shown. Magnetizer 101 (at least embodying herein magnetizer means for providing at least one magnetic field source; and at least embodying herein at least one magnetizer structured and arranged to provide at least one magnetic field source) preferably comprises at least one magnetic roller 133 and at least one feed tray 112 preferably mounted to (see FIG. 10 through FIG. 17) at least one panel 106. Magnetic roller 133 preferably comprises at least one magnetizer array 104. Upon reading the teachings of this specification, those skilled in the art will now appreciate that, under appropriate circumstances, considering such issues as cost, future technologies, etc., other magnetizing arrangements, such as, for example, rollers with separate magnetizer arrays, magnetic bars arrays, dual magnetic field sources, etc., may suffice.

In operable configuration 109, briefcase enclosure 108 is preferably in an open position, as shown. Feed tray 112 is preferably in preferred angled position 114, as shown. At least one power cord 118 (at least embodying herein at least one power cord structured and arranged to assist power transfer from at least one power source to said at least one rotary movement generator) is preferably plugged into at least one power cord receptacle 122 within portable magnetizer 105 and at least one wall outlet 124, as shown. Upon reading the teachings of this specification, those skilled in the art will now appreciate that, under appropriate circumstances, considering such issues as site location, cost, future technologies, etc., other power sources, such as, for example, solar power cells, batteries, vehicle electrical circuits, etc., may suffice.

FIG. 2 shows a side view illustrating portable magnetizer 105 being carried by user 129. Portable magnetizer 105 is preferably closed and preferably placed in at least one stowed configuration 127 when not in use, as shown best in FIG. 4 and FIG. 5. Preferred stowed configuration 127 of portable magnetizer 105 preferably assists user 129 to carry portable magnetizer 105, as shown. Portable magnetizer 105 preferably weighs about 25 lbs.

With reference to FIG. 1, as discussed, portable magnetizer 105 is preferably deployed by user 129 to operable configuration 109 prior to use. First, briefcase enclosure 108 is preferably opened, as shown in FIG. 1. Then, feed tray 112 preferably is deployed to angled position 114 using at least one tray mount 128, as discussed in detail with reference to FIGS. 14-17. After plugging in power cord 118, at least one power switch 131 is then preferably turned to "on" position 132. Turning power switch 131 to "on" position 132 preferably activates rotation of magnetic roller 133. Portable magnetizer 105 preferably utilizes standard electrical power (preferably about 115 volts alternating current preferably with about 1.6 amperes of current load).

FIG. 3 shows a partial cross-sectional view through section 3-3 of FIG. 1, illustrating at least one flexible magnetizable sheet 141 in transit adjacent to magnetic roller 133, according to the preferred embodiment of FIG. 1. Flexible magnetizable sheet 141 is preferably loaded into feed tray 112. Flexible magnetizable sheet 141 is preferably loaded with printed side 135 facing away from feed tray 112 (at least embodying herein positioning geometry means for permitting positioning the at least one substantially planar sheet in at least one magnetizing interaction relationship with said at least one magnetizer means; and at least embodying herein at least one positioning geometry structured and arranged to permit positioning the at least one substantially planar sheet in at least one magnetizing interaction relationship with said at least one magnetizer). Magnetic roller 133 preferably pulls, preferably through rotation and magnetic coupling, flexible magnetizable sheet 141 from feed tray 112 (this arrangement at least herein embodying wherein said at least one magnetizer bar magnetically couples to the at least one substantially planar sheet to transfer movement to the at least one substantially planar sheet). Magnetic roller 133 then preferably drives, preferably through rotation and magnetic coupling, flexible magnetizable sheet 141 along at least one feed path 143, as shown. Magnetic roller 133 preferably runs between about 10 feet/min and about 50 feet/min, preferably at about 15 feet/min (this arrangement at least herein embodying wherein said at least one magnetizer bar rotates to move the at least one substantially planar sheet through said at least one magnetizer at a rate from about 10 feet/min to about 50 feet/min; and this arrangement at least herein embodying wherein said at least one magnetizer bar rotates to move the at least one substantially planar sheet through said at least one magnetizer at a rate of at about 15 feet/min).

Magnetizer array 104 comprises a length of about 13 inches, preferably allowing portable magnetizer 105 to magnetize flexible magnetizable sheet 141 comprising less than about 13 inches in width (this arrangement at least herein embodying wherein said at least one adjustable planar sheet feeder accepts a width of the at least one substantially planar sheet of less than about 13 inches). Upon reading the teachings of this specification, those skilled in the art will now appreciate that, under appropriate circumstances, considering such issues as cost, future technology, etc., other magnetizer array lengths, such as, for example, 24 inches, 10 inches, 10 cm, etc., may suffice.

Magnetizer array 104 preferably comprises at least one stripper plate 136. Stripper plates 136 in magnetizer array 104 preferably guide flexible magnetizable sheet 141 over the magnetic roller 133. Stripper plates 136 are preferably shaped to allow flexible magnetizable sheet 141 to be preferably guided on entry side 147 and off exit side 148 of magnetic roller 133.

Magnetic roller 133 preferably couples with and preferably moves flexible magnetizable sheet 141 over magnetizer array 104 preferably by rotation and magnetic coupling as previously stated. At least one motor 152 and at least one chain drive 156 preferably provide rotary movement of magnetic roller 133. In the process of passing over magnetizer array 104, flexible magnetizable sheet 141 is preferably magnetized by at least one magnetic field 154 from magnetic roller 133. (Magnetic roller 133 components will be discussed in more detail in FIGS. 6 through FIG. 9.) Flexible magnetizable sheet 141 is preferably moved along feed path 143 to exit side 148 of magnetic roller 133, preferably guided by stripper plates 136. Stripper plates 136 (at least embodying herein at least one sheet decoupler structured and arranged to decouple the at least one substantially planar sheet from said at least one magnetizer bar during movement of the at least one substantially planar sheet through said at least one magnetizer) preferably decouple flexible magnetizable sheet 141 from magnetic roller 133, during operation. Flexible magnetizable sheet 141 preferably moves from exit side 148 of magnetic roller 133 to panel 106. Flexible magnetizable sheet 141 then preferably moves off at least one edge 160 of briefcase enclosure 108.

Upon reading this specification, those with ordinary skill in the art will now appreciate that, under appropriate circumstances, considering such issues as design preference, user preferences, marketing preferences, cost, structural requirements, available materials, technological advances, etc., other magnetic field generator arrangements such as, for example, solenoids, Helmholtz coils, bar magnets, iron core solenoids, electromagnets, or other magnetic generator technologies, etc., may suffice.

FIG. 4 shows a perspective view illustrating briefcase enclosure 108 in open position 110 with loose items 221 and feed tray 112 secured therein. Briefcase enclosure 108 preferably comprises at least one Pelican model 1500 case 107. Pelican model 1500 case 107 is available from Pelican Products, Inc., located at 23215 Early Avenue, Torrance, Ca 90505 (Tel. 310-326-4700) or from www.pelican.com on the Internet. Briefcase enclosure 108 preferably comprises at least one seal 181, preferably at least one hinge 182, preferably at least one latch 183, preferably at least one padlock hole 184 and preferably at least one handle 186 (at least embodying herein hand-carrier means for permitting hand carrying of said enclosure means; and at least embodying herein at least one hand-carrier element structured and arranged to permit hand carrying of said at least one enclosure).

Seal 181 preferably comprises at least one O-ring seal, preferably following along the perimeter of briefcase enclosure 108, as shown. Latch 183 preferably comprises at least one double throw latch, as shown. Padlock hole 184 preferably comprises at least one reinforced

padlock hole, preferably at least one stainless steel reinforced padlock hole, as shown. Handle 186 preferably comprises at least one molded handle. Handle 186 preferably comprises at least one rubber padding 190.

Briefcase enclosure 108 preferably comprises at least one continuous panel flange 187 with pre-drilled holes 188 to preferably receive and mount panel 106. Panel 106, which preferably mounts to panel flange 187, preferably comprises magnetizer array 104, feed tray 112, and motor 152. Briefcase enclosure 108 also preferably comprises accessory openings 130 (at least herein embodying wherein said at least one briefcase comprises at least one aperture providing access to an interior of said at least one briefcase even when said at least one briefcase is closed; and at least herein embodying wherein said at least one enclosure comprises at least one aperture structured and arranged to permit operating power connection between said at least one rotary movement generator and external power source) to receive power switch 131, power cord receptacle 122 and at least one fuse 177.

Briefcase enclosure 108 preferably serves several functions for portable magnetizer 105. Briefcase enclosure 108 preferably houses magnetizer 101, preferably keeping motor 152 and chain drive 156 contained (as well as guarded for safety during operation), as shown (see also FIG. 3). Panel 106 and at least one lower portion 173 of briefcase enclosure 108 preferably make up at least one housing 164 (at least embodying herein at least one operation-isolated-region structured and arranged to assist protection of said at least one magnetizer and said at least one rotary movement generator from external interaction, during operation of said at least one magnetizer). Motor 152 and chain drive 156 are preferably contained while in operable configuration 109 (see FIG. 1) or in stowed configuration 127 (see FIG. 5).

Another function of the briefcase enclosure 108 is to preferably secure loose items 221. Loose items 221 are items within portable magnetizer system 100, which when not secured, could damage magnetizer 101 during movement or relocation of portable magnetizer 105. Loose items 221 preferably include tray mounts 128 and power cord 118. Loose items 221 are preferably secured by at least one user 129 configuring briefcase enclosure 108 to stowed configuration 127 (see FIG. 5). In stowed configuration 127; tray mounts 128, power cord 118, and feed tray 112 are preferably secured (this arrangement at least herein embodying wherein said at least one power cord may be contained in said at least one enclosure when stored). Feed tray 112, preferably collapses to position shown in FIG. 4 when being stored or transported (this arrangement at least herein embodying wherein said at least one adjustable planar sheet feeder collapses to allow containment in said at least one enclosure when stored). Briefcase enclosure 108 preferably comprises at least one storage mount 214 for tray mounts 128 and at least one

storage mount 215 for power cord 118. Additionally, feed tray 112 is preferably secured with at least one lock down mechanism 218 to preferably prevent movement of feed tray 112 while in stowed configuration 127. Securing previously mentioned loose items 221 preferably prevents damage to magnetizer 101. Upon reading the teachings of this specification, those skilled in the art will now appreciate that, under appropriate circumstances, considering such issues as cost, future technology, etc., other loose item securing devices, such as, for example, cord retractors, collapsible tray mounts, spring locks, molded forms, molded foams, etc., may suffice.

FIG. 5 shows a perspective view illustrating briefcase enclosure 108 in stowed configuration 127. Another function of briefcase enclosure 108 is to preferably make portable magnetizer 105 portable, secure, and easily storable. Portable magnetizer 105 becomes portable, secure, and easily storable when transitioned to stowed configuration 127, as shown. When user is ready to transition briefcase enclosure 108 to stowed configuration 127, loose items 221 are secured as previously mentioned (see FIG. 4). Briefcase lid 174 is then preferably closed and latched with latches 183. At least one padlock 185 are then preferably inserted into padlock hole 184 and locked. User 129 preferably carries briefcase enclosure 108 by preferably grasping handle 186 as shown in FIG. 2. This arrangement at least herein embodies wherein said enclosure means comprises securable briefcase means for providing briefcase securing of said enclosure means; and this arrangement at least herein embodies wherein said at least one enclosure comprises at least one securable briefcase structured and arranged to provide briefcase securing of said at least one enclosure.

Stowed configuration 127 reduces the size of the portable magnetizer 105, making it smaller for storage. Stowed configuration 127 of briefcase enclosure 108 also preferably allows for simplified handling and moving of portable magnetizer 105 by configuring the portable magnetizer 105 into a manageable size that can be easily held by handle 186 (at least herein embodying wherein said at least one hand-carrier element comprises at least one handle). In addition, padlock 185 adds security to portable magnetizer 105 by controlling access to briefcase enclosure 108.

Upon reading this specification, those with ordinary skill in the art will now appreciate that, under appropriate circumstances, considering such issues as design preference, user preferences, marketing preferences, cost, structural requirements, available materials, technological advances, etc., other enclosure arrangements such as, for example, custom case designs, OEM preconfigured briefcases, or cases made of alternate materials (such as steel, aluminum, wood, or wireframe), etc., may suffice.

FIG. 6 shows a top view illustrating magnetizer array 104 with array mounts 248.

Magnetizer 101, as shown (see FIG. 1) preferably comprises magnetizer array 104, as shown (see FIG. 6). Magnetizer array 104 preferably comprises a magnetic roller 133 as previously mentioned. Magnetic roller 133 is preferably 1" in diameter. Magnetic roller 133 preferably
5 comprises at least one magnetic stack 239, preferably a plurality of magnetic stacks 239.

Magnetic roller 133 preferably comprises at least one shaft 231. Shaft 231 preferably rotates magnetic stacks 239 of magnetic roller 133, during operation. Shaft 231 and thereby magnetic stacks 239 of magnetic roller 133 are preferably rotated by motor 152 (at least
10 embodying herein rotary movement generator means for generating rotary movement of said axial-holder means ; and at least embodying herein at least one rotary movement generator structured and arranged to generate rotary movement of said at least one axial-holder and said at least one magnetizer bar, and at least herein embodying wherein said at least one rotary movement generator comprises at least one motor)and chain drive 156, during operation. Rotation of magnetic roller 133 preferably moves flexible magnetizable sheet 141 over
15 magnetizer array 104 as previously stated. Magnetic field 154 of magnetic roller 133 preferably induces a magnetic field (and magnetic alignment) in flexible magnetizable sheet 141 as it passes over the magnetic roller 133. Flexible magnetic sheet 141 preferably retains at least one portion of this magnetic alignment and thereby becomes magnetized.

Stripper plates 136 are preferably spaced about 1 inch apart along shaft 231 between
20 magnetic stacks 239 (at least herein embodying wherein said at least one magnetizer bar comprises a set of discrete field-producing laminations spaced substantially along said at least one longitudinal axis; and this arrangement at least herein embodying wherein said at least one sheet decoupler comprises a plurality of decoupler elements; and this arrangement at least herein embodying wherein said plurality of decoupler elements are spaced about every inch along said
25 at least one longitudinal axis), as shown. Magnetizer array 104 preferably comprises at least one stabilizer bar 245 that runs between array mounts 248. Stabilizer bar 245 preferably stabilizes stripper plates 136, and preferably prevents rotation of stripper plates 136, during operation. Further, stabilizer bar 245 preferably positions stripper plates 136 to optimize operation of magnetizer 101.

FIG. 7A shows an enlarged top view, illustrating a preferred magnetic stack, according to
30 a preferred embodiment of the present invention. Magnetic stack 239 preferably comprises disk magnets 225 (at least herein embodying wherein said at least one magnetic field source comprises at least one permanent magnet) as shown, alternately interspersed with steel washers 227 along shaft 231 (at least embodying herein axial-holder means for axially-holding said

magnetizer means along a single longitudinal axis; and at least embodying herein at least one axial-holder structured and arranged to axially-hold said at least one magnetizer bar along said at least one longitudinal axis; and this arrangement at least herein embodying wherein said at least one magnetic field source comprises at least one magnetizer bar comprising at least one longitudinal axis; and this arrangement at least herein embodying wherein each discrete field-producing lamination of said set comprises at least one substantially circular magnetic disk magnetically coupled with at least one substantially circular flux-conducting spacer). Disk magnets **225** are preferably arranged with all like poles facing the same direction so as to alternate positive poles **229** and negative poles **230**, along magnetic stack **239**. Upon reading the teachings of this specification, those skilled in the art will now appreciate that, under appropriate circumstances, considering such issues as cost, future technologies, etc., other magnet arrangements, such as, for example, segmented disk magnets, mono-pole magnets, intrinsically layered magnets, etc., may suffice.

Magnetic stack **239** preferably comprises a diameter of about 1 inch. Magnetic stack **239** preferably comprises a length of about 1 inch. Upon reading the teachings of this specification, those skilled in the art will now appreciate that, under appropriate circumstances, considering such issues as cost, configuration, future technologies, etc., other dimensions, such as, for example, 2 inches, 1 foot, 5 cm, etc., may suffice.

Magnetic stack **239** preferably comprises a 12-PPI (poles per inch) stack **235** (herein sometimes referred to as PPI stack). 12-PPI stack **235** preferably is set on shaft **231**. 12-PPI stack **235** preferably comprises 12 disk magnets **225** and preferably 12 steel washers **227** per inch (this arrangement at least herein embodying wherein said at least one magnetizer bar comprises exactly 12 of said discrete field-producing laminations per inch). 12-PPI stack **235** preferably comprises a magnetic field, preferably between about 5000 gauss and 6000 gauss (at least herein embodying wherein said at least one magnetizer bar comprises a magnetic field from about 5000 Gauss to about 6000 Gauss).

FIG. 7B shows a sectional view through the section 7B-7B of FIG. 7A, illustrating 12-PPI stack **235** set on shaft **231**. Disk magnets **225** and steel washers **227**, preferably have at least one center hole **228** permitting placement over shaft **231**.

FIG. 8A shows an enlarged top view, illustrating an alternately preferred embodiment of magnetic stack **239**, according to a preferred embodiment of the present invention. FIG. 8B shows a sectional view through the section 8B-8B of FIG. 8A illustrating a 16-PPI stack **237** set on shaft **231**. Alternately, magnetic stack **239** preferably comprises 16-PPI stack **237**. 16-PPI stack **237** preferably comprises 16 disk magnets **225** and preferably 16 steel washers **227** per

inch (this arrangement at least herein embodying wherein said at least one magnetizer bar comprises exactly 16 of said discrete field-producing laminations per inch). 16-PPI stack 237 preferably comprises a magnetic field, preferably between about 4000 Gauss and about 5000 Gauss (at least herein embodying wherein said at least one magnetizer bar comprises a magnetic field from about 4000 Gauss to about 5000 Gauss).

FIG. 9 shows a sectional view through section 9-9 of FIG. 6, illustrating stripper plate 136 with at least one small-diameter washer 241, shaft 231, and at least one stabilizer bar 245. Stripper plates 136 preferably comprise a center hole 240 to allow for at least one small-diameter washer 241. Small-diameter washer 241 preferably fits on shaft 231, preferably inside center hole 240 of stripper plates 136. Small-diameter washer 241, preferably made of steel, preferably provides spacing clearance between rotating portions of magnetic roller 133 and stripper plates 136. Small-diameter washer 241 preferably spaces the stripper plate from shaft 231, as well as preferably isolates stripper plates 136 from shaft 231 rotation. In addition, small-diameter washer 241 preferably is slightly thicker than stripper plate 136, preferably to space stripper plate 136 away from magnetic stack 239 on either side. Stripper plates 136 preferably do not rotate during operation of magnetizer 101.

Stabilizer bar 245 preferably runs through at least one stabilizer-bar hole 243 in stripper plates 136. At least one stabilizer bar 245 preferably connects to array mount 248 at each end of magnetizer array 104 (see FIG. 6), preferably at at least one stabilizer-bar mounting hole 253 (see FIG. 10).

Stabilizer bar 245, along with small-diameter washer 241, preferably prevents stripper plates 136 from rotating. Stripper plates 136 are preferably held by stabilizer bar 245 to counter rotation of shaft 231, and magnetic roller 133, during operation of magnetizer 101. Stripper plates 136 are preferably stabilized by stabilizer bar 245 allowing stripper plates 136 to preferably guide flexible magnetizable sheet 141 over the magnetic roller 133 as previously mentioned in FIG. 3.

Endplates 257 are preferably mounted on both sides of shaft 231 to preferably hold the magnetic stacks 239, stripper plates 136, and small-diameter washers 241, on shaft 231, as shown in FIG. 6. Endplates 257 preferably comprise at least one endplate locking-screw 260. Endplate locking-screw 260 preferably secures endplates 257 to shaft 231. Endplates 257 preferably apply pressure to transfer rotation of shaft 231 to magnetic stacks 239, and small-diameter washers 241. Upon reading the teachings of this specification, those skilled in the art will now appreciate that, under appropriate circumstances, considering such issues as cost, future

technologies, etc., other rotation transfer devices, such as, for example, key shafts, locking screws, adhesives, etc., may suffice.

At least one gear-drive endplate 259 is preferably located on shaft 231 at motor side 263 of magnetizer array 104. Gear-drive endplate 259 preferably provides connection of shaft 231 to chain drive 156 and motor 152, as discussed in detail with reference to FIGS. 18-19. At least one opposed endplate 258 is preferably located on shaft 231 at non-motor side 264 of magnetizer array 104.

Upon reading this specification, those with ordinary skill in the art will now appreciate that, under appropriate circumstances, considering such issues as design preference, user preferences, marketing preferences, cost, structural requirements, available materials, technological advances, etc., other magnetizer holding arrangements such as, for example, non circular shafts, cable shafts, or non-shaft magnetizer, etc., may suffice.

FIG. 10 shows a sectional view through the section 10-10 of FIG. 6, illustrating array mount 248. Array mount 248 preferably comprises at least one shaft-hole 251. At least one low-friction bearing 252 is preferably set into shaft-hole 251 by tight friction fit. Shaft 231, with magnetizer array 104, is preferably set into low-friction bearing 252. Upon reading the teachings of this specification, those skilled in the art will now appreciate that, under appropriate circumstances, considering such issues as cost, future technology, etc., other rotating shaft mountings, such as, for example, rotating end-plates, coaxial bearings, lubricated joints, etc., may suffice.

Array mount 248 also preferably comprise threaded holes 266. Threaded holes 266 preferably receive array mount bolts 267 as shown best in FIGS. 11-13 to secure array mount 248 to panel 106. Upon reading the teachings of this specification, those skilled in the art will now appreciate that, under appropriate circumstances, considering such issues as cost, future technology, materials, etc., other fasteners, such as, for example, rivets, pins, adhesives, etc., may suffice.

Array mount 248 preferably comprises stabilizer-bar mounting hole 253. Stabilizer-bar mounting hole 253 preferably accepts end of stabilizer bar 245. Upon reading the teachings of this specification, those skilled in the art will now appreciate that, under appropriate circumstances, considering such issues as cost, future technology, materials, etc., other stabilizer bar mountings, such as, for example, end bolts, adhesives, brackets, etc., may suffice.

With reference to FIG. 10, array mount 248 is preferably set on shaft 231 of magnetizer array 104. Low friction bearing 252 preferably allow magnetic roller 133 to rotate freely between array mounts 248.

FIG. 11 shows an isometric exploded view, illustrating at least one magnetizer array assembly 205, according to the preferred embodiment of FIG. 10. Magnetizer array assembly 205 preferably comprises magnetizer array 104 preferably attaching to underside 270 of panel 106 with array mount 248. Array mounts 248, along with magnetizer array 104, preferably are
5 joined to underside 270 of panel 106. Array mounts 248 are preferably bolted to panel 106 (at least embodying herein at least one mounting member structured and arranged to mount, in at least one operational alignment, said at least one positioner and said at least one magnetizer to said at least one enclosure) with array mount bolts 267.

FIG. 12 shows a top view, illustrating magnetizer array 104 attached to panel 106,
10 according to the preferred embodiment of FIG. 11. FIG. 13 shows a partial sectional view through the section 13-13 of FIG. 12, illustrating array mount 248 attachment to panel 106, according to the preferred embodiment of FIG. 12.

Array mounts 248 preferably hold magnetizer array 104 to panel 106. Mounting magnetizer array 104 to panel 106 preferably stabilizes gear-drive endplate 259. As previously
15 stated, gear drive-endplate 259 is preferably driven by chain drive 156 and motor 152 (see FIG. 19) to rotate the magnetic roller 133. Array mounts 248 also preferably hold magnetizer array 104 in alignment with feed tray 112.

Upon reading this specification, those with ordinary skill in the art will now appreciate that, under appropriate circumstances, considering such issues as design preference, user
20 preferences, marketing preferences, cost, structural requirements, available materials, technological advances, etc., other shaft holding arrangements such as, for example, mounting array mounts to top of panel (instead of bottom location of panel as indicated in this specification), array mounts molded in to panel, direct mounting of magnetizer to panel, or mounting magnetizer directly to portable briefcase enclosure, etc., may suffice.

FIG. 14 shows an isometric view, illustrating feed tray 112 mounted to panel 106,
25 according to the preferred embodiment of FIG. 13. Feed tray 112 preferably comprises at least one feed-tray panel 291, which preferably comprises steel. Feed tray 112 further comprises at least one adjustable guide 294, which also preferably comprises of steel. Upon reading the teachings of this specification, those skilled in the art will now appreciate that, under appropriate
30 circumstances, considering such issues as cost, future technologies, etc., other materials, such as, for example, wood, plastics, other metals, etc., may suffice.

Adjustable guide 294 is preferably attached to feed-tray panel 291 with counter-sink screws 295 (see FIG. 17). Adjustable guide 294 is preferably mounted on feed tray 112 in at least one of variable positions 300 to assist feeding flexible magnetizable sheet 141 straight

across magnetic roller 133 (this arrangement herein embodying wherein said at least one positioning geometry comprises at least one user-adjustable planar sheet feeder structured and arranged to user-adjustably feed the at least one substantially planar sheet into said at least one magnetizer). User 129 preferably locates adjustable guide 294 as required at one of variable
5 positions 300 on feed tray 112. User 129 preferably attaches adjustable guide 294 as required.

FIG. 15 shows an enlarged partial cross-section through section 15-15 of FIG. 14, illustrating at least one hinge attaching feed tray 112 to panel 106. Feed tray 112 is preferably attached to panel 106 with at least one feed-tray hinge 280. Feed-tray hinge 280 is preferably fastened to feed tray 112 with counter-sink screws 285. Feed-tray hinge 280 is also preferably
10 fastened to top 271 of panel 106 with at least one counter-sink screw 288. Upon reading the teachings of this specification, those skilled in the art will now appreciate that, under appropriate circumstances, considering such issues as cost, future technology, etc., other hinging attachments, such as, for example, piano hinges, pin hinges, flexible joints, etc., may suffice.

FIG. 16 shows a side exploded elevation view, illustrating tray mount 128, according to
15 the preferred embodiment of FIG. 15. Tray mount 128 is preferably used to deploy feed tray 112 to angled position 114. Feed tray 112 preferably comprises tray mount 128, preferably two tray mounts 128. Tray mount 128 preferably comprises at least one tray mount base 308 and at least one tray mount top 309. Tray mount base 308 preferably comprises at least one threaded-hole 313 and at least one threaded-hole 314 to preferably receive at least one counter-sink screw 316
20 and counter-sink screw 317 respectively, preferably to mount tray mount 128 to panel 106, as shown in FIG. 17.

Tray mount top 309 preferably comprises at least one hole 321 and at least one threaded hole 323. Threaded hole 323 preferably receives at least one counter-sink screw 325 to preferably hold feed tray panel 291 to tray-mount top 309.

When user is ready to deploy feed tray 112 to angled position 114, feed tray 112 is preferably positioned to up position 327, as shown in FIG. 15. Up position 327 preferably allows mounting of tray mounts 128. Tray mounts 128 are preferably mounted as previously described. Feed-tray panel 291 is then preferably rotated back to angled position 114. Feed-tray panel 291 is then preferably secured to tray mounts 128 with counter-sink screw 325 as
25 previously mentioned. Upon reading the teachings of this specification, those skilled in the art will now appreciate that, under appropriate circumstances, considering such issues as cost, future technologies, etc., other angled deployment methods, such as, for example, folding support arms, friction plates, locking hinges, etc., may suffice.
30

FIG. 17 shows a side view of magnetizer 101 illustrating feed tray 112 and tray mounts 128 deployed to operable configuration 109, according to the preferred embodiment of FIG. 16. User preferably deploys feed tray 112 by preferably attaching tray-mount base 308 to top 271 of panel 106. Counter-sink screw 316 and counter-sink screw 317 preferably enter tray-mount base 308 from underside 270 of panel 106.

Tray-mount top 309 is preferably attached to tray-mount base 308. Feed-tray panel 291 is preferably secured to tray-mount top 309 in angled position 114 by counter-sink screw 325. Feed-tray panel 291 is preferably held by feed-tray hinges 280 and tray mounts 128. Feed-tray panel 291 deployed to angled position 114 preferably puts feed tray 112 in operable configuration 109.

Feed tray 112, secured to tray mounts 128, preferably positions flexible magnetizable sheet 141 along feed path 143 towards magnetizer array 104. Flexible magnetizable sheet 141 is preferably positioned against the adjustable guide 294 as it is fed in.

Upon reading this specification, those with ordinary skill in the art will now appreciate that, under appropriate circumstances, considering such issues as design preference, user preferences, marketing preferences, cost, structural requirements, available materials, technological advances, etc., other flexible-magnetic sheet positioner arrangements such as, for example, magnetic sheet hoppers, motorized feed systems, or alternate guides to interface with magnetizer, etc., may suffice.

FIG. 18 shows partial underside view of panel 106 illustrating at least one mechanical power subsystem 276, according to the preferred embodiment of FIG. 17. FIG. 19 shows the sectional view 19-19 of FIG 18, illustrating mechanical power subsystem 276.

Panel 106 preferably encloses mechanical power subsystem 276, and motor electrical connections in lower portion 173 of briefcase enclosure 108, as shown in FIG. 4. Panel 106 also preferably allows for easy mounting of magnetizer array 104 and mechanical power subsystem 276. Panel 106 also preferably provides simplified access to maintain magnetizer 101. In the event magnetizer 101 requires maintenance or repairing, panel 106 is preferably removed for access to components of magnetizer 101.

Mechanical power subsystem 276 preferably comprises motor 152 and chain drive 156. Motor 152 preferably comprises at least one electric motor, preferably at least one McMaster Carr A/C Gear Motor Part #6142K57. McMaster Carr A/C Gear Motor Part #6142K57 is available from McMaster Carr, located at 600 N. County Line Rd. Elmhurst, Il 60126-2081 (sales and customer service: 630-833-0300) or visit www.mcmaster.com on internet. Motor 152 also preferably comprises gearbox 347 and also preferably comprises at least one built in motor

fan, preferably preventing overheating of motor 152. Upon reading the teachings of this specification, those skilled in the art will now appreciate that, under appropriate circumstances, considering such issues as cost, future technologies, etc., other motors, such as, for example, pneumatic motors, hydraulic motors, hand-actuated gearboxes, etc., may suffice.

5 Motor 152 is preferably attached to at least one angle bracket 332 by at least one motor-mount screw 350. Angle bracket 332 is preferably attached to panel 106 by motor-bracket screws 353.

Chain drive 156 preferably connects motor 152 to gear-drive endplate 259 on magnetizer array 104. Chain drive 156 preferably comprises at least one chain 336, gear-drive endplate 259,
10 at least one motor-shaft 343, and at least one motor-gear 344. Motor 152 preferably connects to at least one gearbox 347. Gearbox 347 preferably connects to motor shaft 343. Motor-shaft 343 preferably connects to motor-gear 344. Chain 336 preferably connects motor-gear 344 to gear-drive endplate 259 on shaft 231.

Upon reading this specification, those with ordinary skill in the art will now appreciate
15 that, under appropriate circumstances, considering such issues as design preference, user preferences, marketing preferences, cost, structural requirements, available materials, technological advances, etc., other rotary movement to shaft transfer arrangements such as, for example, gear transmission systems, belt drive, or direct drive systems, etc., may suffice.

Motor 152 preferably comprises at least one motor-power wire 359, at least one motor
20 grounding wire 360, preferably connected to fuse 177, power cord receptacle 122 and power switch 131 (see FIG. 1). Fuse 177, power cord receptacle 122, and power switch 131, are preferably attached to briefcase enclosure 108 as best shown in FIG. 1. Portable magnetizer 105 is preferably fused for safety. Motor 152 is preferably wired to fuse 177, power cord receptacle 122, and power switch 131 in conventional electrical configuration.

25 Power switch 131 preferably activates motor 152. Motor 152 preferably sends mechanical power to gearbox 347. Gearbox 347 preferably transfers power to motor-shaft 343 and motor-gear 344. Motor-gear 344 preferably moves chain 336. Motor-gear 344 preferably drives gear-drive endplate 259 at about a one-to-one revolution ratio. Rotation of gear-driven endplate 259 preferably drives shaft 231 and magnetic roller 133.

30 Upon reading this specification, those with ordinary skill in the art will now appreciate that, under appropriate circumstances, considering such issues as design preference, user preferences, marketing preferences, cost, structural requirements, available materials, technological advances, etc., other rotary movement generator arrangements such as, for

example, air motors, air powered motors, appliance motors, pneumatic motors, DC motors, hand crank, solar powered motors, or battery powered motors, etc., may suffice.

FIG. 20 shows a partial-exploded perspective view illustrating at least one high-energy portable magnetizer 400 according to an alternately preferred embodiment of the present invention. While many of the elements of high-energy portable magnetizer 400 are retained from portable magnetizer 105, in high-energy portable magnetizer 400, replacing magnetizer array assembly 205 of portable magnetizer 105, at least one high-energy magnetizer array assembly 405 preferably comprises at least one high-energy magnetizer array 410. High-energy magnetizer array assembly 405 preferably comprises at least one magnetizer array plate 420. Magnetizer array plate 420 preferably mounts to lower portion 173 of briefcase enclosure 108, as shown, preferably with mounting fasteners 425, preferably mounting screws. Upon reading the teachings of this specification, those skilled in the art will now appreciate that, under appropriate circumstances, considering such issues as future technologies, cost, etc., other mounting fasteners, such as, for example, bolts, snap-fit fasteners, twist-lock fasteners, etc., may suffice.

FIG. 21 shows a diagrammatic side view, illustrating at least one feed path 430 through such at least one high-energy portable magnetizer 400, according to the preferred embodiment of FIG. 20. High-energy magnetizer array 410 preferably comprises at least one upper magnetic field source 445 and at least one lower magnetic field source 455. Lower magnetic field source 455 preferably comprises at least one magnetic roller 450, as shown. Upper magnetic field source 445 preferably comprises at least one magnetic bar 440. Magnetic bar 440 preferably comprises at least one outer casing 460 and preferably comprises at least one magnetic roller 465.

Outer casing 460 preferably comprises at least one magnetically transparent material (material that does not significantly attenuate a magnetic field passing through the material), preferably brass. Upon reading the teachings of this specification, those skilled in the art will now appreciate that, under appropriate circumstances, considering such issues as future technologies, cost, etc., other magnetically transparent materials, such as, for example, magnetically transparent plastics, magnetically transparent ceramics, other magnetically transparent metals, etc., may suffice.

Similar to feed path 143, feed tray 112 (see FIG. 20) preferably positions flexible magnetic sheet 141 along feed path 430 toward high-energy magnetizer array 410. Particular to feed path 430, feed path 430 preferably passes between upper magnetic field source 445 and lower magnetic field source 455, as shown. Magnetic roller 450 preferably drives flexible magnetic sheet 141 along feed path 430, similar to magnetic roller 133.

Magnetic bar 440 and magnetic roller 450 are preferably situated with at least one gap 470 between. Gap 470 preferably comprises a distance A preferably of about 1/8 inch. Feed path 430 preferably crosses gap 470, preferably about perpendicular, as shown. Due to the relative positions of magnetic bar 440 and magnetic roller 450, gap 470 preferably comprises at least one region of high magnetic flux.

FIG. 22 shows an isometric exploded view, illustrating high-energy magnetizer array assembly 405, according to the preferred embodiment of FIG. 21. FIG. 23 shows an isometric exploded view, illustrating at least one upper magnetizer array subassembly 510, according to the preferred embodiment of FIG. 22. High-energy magnetizer array assembly 405 preferably comprises upper magnetizer array subassembly 510 and preferably at least one lower magnetizer array subassembly 520. Upper magnetizer array subassembly 510 preferably comprises at least one of magnetic bars 440, preferably at least two of magnetic bars 440. Correspondingly, lower magnetizer array subassembly 520 preferably comprises at least one of magnetic rollers 450, preferably at least two of magnetic rollers 450.

The functional relationship between such at least two of magnetic rollers 450 is representative of the functional relationship between such at least two of magnetic bars 440. For clarity of description, the functional relationship between such at least two of magnetic rollers 450 will be discussed with the understanding that the teachings are equally applicable to the functional relationship between such at least two of magnetic bars 440.

Such at least two of magnetic rollers 450 preferably comprise at least one inner magnetic roller 575 and preferably at least one outer magnetic roller 570. Such at least two of magnetic bars 440 preferably comprise at least one inner magnetic roller 585 and preferably at least one outer magnetic roller 580. Both of such at least two of magnetic rollers 450 and such at least two of magnetic bars 440 preferably extend across substantially the full width of flexible magnetic sheet 141.

Inner magnetic roller 575 comprises at least one rotational shaft 595 preferably oriented substantially perpendicular to the line of direction of feed path 430 (as generally defined by the direction of sheet motion), as shown. Inner magnetic roller 575 preferably comprises a first set of magnetic stacks 239, preferably spaced substantially along the width of rotational shaft 595, as shown. Each magnetic stack 239 preferably comprises an alternating sequence of magnetic plates and flux-conducting plates (as best described in FIG. 8A and FIG. 8B). Each magnetic plate preferably comprises a high-strength permanent magnet and each flux-conducting plate preferably comprises a material exhibiting high permeability when saturated. Both magnetic plates and flux-conducting plates preferably comprise substantially circular peripheral shapes.

Each substantially circular magnetic plate and each substantially circular flux-conducting plate are preferably substantially coaxial with rotational shaft 595, as shown. Thus, the sequential laminations of each magnetic stack 239 form a substantially cylindrical peripheral surface.

Magnetic stacks 239 are preferably mounted coaxially on rotational shaft 595, as shown.

5 Magnetic stacks 239 are preferably separated by a set of spacers 592 that are also preferably mounted coaxially on rotational shaft 595, as shown. Spacers 592 preferably comprise widths generally slightly shorter than those of magnetic stacks 239, as shown. Magnetic stacks 239 preferably each comprise 16-ppi stack 237, as shown in FIG 8A. Magnetic stacks 239 for high-energy magnetizer array assembly 405 preferably comprise a length of about 1-1/8 inch. Spacers
10 592 preferably comprise a width of about 1 inch.

The preferred structures and arrangements of inner magnetic roller 585 are substantially identical to those of inner magnetic roller 575, as described above. Preferably, the placements of magnetic stacks 239 along rotational shaft 595 of inner magnetic roller 585 are substantially identical to those of inner magnetic roller 575. This preferably places magnetic stacks 239 of
15 inner magnetic roller 585 in vertical alignment with magnetic stacks 239 of inner magnetic roller 575, as illustrated in FIG. 24. Thus, a plurality of first high-magnetic-flux field regions (six in the depicted embodiment) are preferably generated within inner gap 645 (see FIG. 26) by the preferred vertical stacking of inner magnetic roller 575 over inner magnetic roller 585 and the resulting formation of magnetic flux circuits between inner magnetic roller 575 and inner
20 magnetic roller 585.

The preferred structures and arrangements of outer magnetic roller 570 are substantially similar to those of inner magnetic roller 575, with the exception of the preferred positioning of magnetic stacks 239 along rotational shaft 595, as shown. Note that magnetic stacks 239 of outer magnetic roller 570 are preferably axially offset from magnetic stacks 239 of inner magnetic
25 roller 575. More preferably, magnetic stacks 239 of outer magnetic roller 570 are axially offset a preferred distance substantially equal to the width of one magnetic stack 239, as shown (similarly, magnetic stack 239 of outer magnetic roller 580 are axially offset from magnetic stack 239 of inner magnetic roller 585), preferably centering magnetic stacks 239 of inner magnetic roller 575 on spacers 592 of outer magnetic roller 570. This preferred arrangement produces a
30 plurality of second high-magnetic-flux field regions (seven in the depicted embodiment) within second gap 640, each of such second high-magnetic-flux field regions preferably generated by the preferred vertical stacking of outer magnetic roller 570 over outer magnetic roller 580. Note that the plurality of such second high-magnetic-flux field regions of second gap 640 are

preferably axially offset from the plurality of such first high-magnetic-flux field regions of first gap 645.

The preferred axial offsetting of magnetic stacks 239 assures that the full width of flexible magnetic sheet 141 is exposed to at least one of the above-described high-magnetic-flux field regions as it is advanced along feed path 430, as shown. Thus, magnetization of flexible magnetic sheet 141 preferably occurs in parallel strips defined by alternating exposure to the magnetic fields of the inner and outer magnetic rollers. The preferred axial offsetting of the depicted embodiment has been determined to reduce feed-related problems related to the adhering and wrapping of flexible magnetic sheet 141 around the magnetic rollers during operation. Upon reading the teachings of this specification, those of ordinary skill in the art will now understand that, under appropriate circumstances, considering such issues as intended use, physical characteristics of the flexible magnetic sheet, etc., other magnet arrangements, such as utilizing a continuous array of magnets extending substantially across the sheet width, etc., may suffice.

Magnetizer array plate 420 preferably comprises at least one set of rectangular-shaped apertures 530, preferably arranged in an offset configuration, as shown, corresponding to layout of magnetic stacks 239 of inner magnetic roller 575 and outer magnetic roller 570. Rectangular-shaped apertures 530 preferably allow the magnetic stacks 239 of magnetic rollers 450 to project upwardly through magnetizer array plate 420 to contact flexible magnetic sheet 141, as shown in FIG. 21.

Upper magnetizer array subassembly 510 preferably mounts above magnetizer array plate 420, preferably outside lower portion 173 of briefcase enclosure 108. Lower magnetizer array subassembly 520 preferably mounts below magnetizer array plate 420, preferably inside lower portion 173 of briefcase enclosure 108. At least one magnetizer array mounting fastener 505 preferably mounts both upper magnetizer array subassembly 510 and lower magnetizer array subassembly 520, preferably through magnetizer array plate 420, as shown. Magnetizer array mounting fastener 505 preferably comprises at least one bolt.

Magnetizer array mounting fastener 505 preferably secures at least one lower mounting bracket 425 to upper mounting bracket 540, preferably sandwiching magnetizer array plate 420. At least two lower mounting brackets 425 preferably mount lower magnetizer array subassembly 520, and at least two upper mounting brackets 540 preferably mount upper magnetizer array subassembly 510, as shown.

Upper magnetizer array subassembly 510 preferably further comprises at least one roller float spring 545, preferably at least two roller float springs 545. Roller float springs 545

preferably are positioned at each end of magnetic bars 440, preferably inside outer casing 460. Roller float springs 545 preferably allow magnetic roller 465 to shift in a longitudinal direction, preferably to magnetically align with magnetic roller 450 vertically corresponding to magnetic roller 465 (the inner rollers or the outer rollers). Outer casing 460 is preferably free to rotate in upper mounting bracket 540 and magnetic roller is preferably free to rotate or longitudinally slide inside outer casing 460. Magnetic roller 450 preferably is thereby free to float in order to achieve optimal alignment with magnetic roller 465 optimizing high-magnetic-flux region as described herein. Upon reading the teachings of this specification, those skilled in the art will now appreciate that, under appropriate circumstances, considering such issues as cost, future technologies, etc., other mounting arrangements, such as, for example, vertically shifting outer casings, fine gap adjustments, etc., may suffice.

Lower magnetizer array subassembly 520 preferably connects to motor 152 with at least one rotational drive subassembly 550. Motor 152 preferably attaches to at least one motor drive shaft 560, and preferably rotates motor drive shaft 560 during operation. Motor drive shaft 560 preferably attaches to rotational drive subassembly 550 with at least one motor drive belt 565, as shown. Upon reading the teachings of this specification, those skilled in the art will now appreciate that, under appropriate circumstances, considering such issues as cost, future technologies, etc., other drive train connections, such as, for example, chains, gears, rollers, etc., may suffice.

FIG. 24 shows a top view of high-energy magnetizer array assembly 405, illustrating rotational drive subassembly 550, according to the preferred embodiment of FIG. 23. FIG. 25 shows a front view of high-energy magnetizer array assembly 405, illustrating rotational drive subassembly 550, according to the preferred embodiment of FIG. 23. FIG. 26 shows the sectional view 26-26 of FIG. 24, illustrating rotational drive subassembly 550.

Rotational drive subassembly 550 preferably comprises at least one drive assembly mount 630, at least one roller drive shaft 620, and at least one roller drive belt 615. Rotational drive assembly 550 preferably transfers rotations motion from motor 152 to magnetic roller 450, preferably in a 1:1 ratio. Upon reading the teachings of this specification, those skilled in the art will now appreciate that, under appropriate circumstances, considering such issues as cost, future technologies, etc., other rotational drive assemblies, such as, for example, gear boxes, direct drives, chain drives, friction roller drives, etc., may suffice.

Drive assembly mount 630 preferably mounts roller drive shaft 620 under magnetic roller 450, as shown in FIG. 25. Roller drive belt 615 preferably connects roller drive shaft 620 to magnetic roller 450, preferably transferring rotational motion during operation. Magnetic roller

preferably comprises at least one drive spacer 610, preferably where roller drive belt 615 attaches, preferably comprising at least one of spacers 592 on magnetic roller 450. Motor drive belt 565 preferably transfers rotational motion from motor drive shaft 560 to roller drive shaft 620, during operation.

5 Although applicant has described applicant's preferred embodiments of this invention, it will be understood that the broadest scope of this invention includes modifications such as diverse shapes, sizes, and materials. Such scope is limited only by the below claims as read in connection with the above specification. Further, many other advantages of applicant's invention will be apparent to those skilled in the art from the above descriptions and the below claims.

10

What is claimed is:

- 1) A system, relating to enabling magnetization of at least one planar sheet of flexible magnetizable material, said system comprising:
 - a) at least one magnetizer structured and arranged to provide at least one magnetic field source;
 - b) at least one positioner structured and arranged to permit positioning the at least one planar sheet into at least one magnetizing interaction relationship with said at least one magnetizer;
 - c) at least one enclosure structured and arranged to enclose said at least one magnetizer and said at least one positioner; and
 - d) at least one hand-carrier structured and arranged to permit hand-carrying of said at least one enclosure.
- 2) The system, according to Claim 1, wherein said at least one magnetizer comprises at least one permanent magnet.
- 3) The system, according to Claim 1, wherein:
 - a) said at least one magnetizer comprises at least one magnetizer bar comprising at least one longitudinal axis;
 - b) said at least one magnetizer bar comprises a plurality of discrete field-producing lamination-sets spaced along said at least one longitudinal axis;
 - c) each discrete field-producing lamination-set of said plurality comprises at least one circular magnetic disk and at least one circular flux-conducting spacer magnetically coupled with said at least one circular magnetic disk; and
 - d) each said at least one circular magnetic disk and each said at least one circular flux-conducting spacer are coaxial with said at least one longitudinal axis.
- 4) The system, according to Claim 3, further comprising at least one axial-holder structured and arranged to axially-hold said at least one magnetizer bar along said at least one longitudinal axis.
- 5) The system, according to Claim 4, further comprising at least one rotary movement generator structured and arranged to generate rotary movement of said at least one axial-holder and said at least one magnetizer bar.
- 6) The system, according to Claim 5, wherein said at least one magnetizer bar is structured and arranged to magnetically couple to the at least one planar sheet, when the at least one planar sheet is in position to pass through at least one magnetic field produced by said at least one magnetic field source, to transfer movement to the at least one planar sheet.

- 7) The system, according to Claim 6, wherein said at least one magnetizer bar is structured and arranged to rotate to move the at least one planar sheet through at least one magnetic field.
- 8) The system, according to Claim 6, further comprising at least one planar sheet decoupler structured and arranged to decouple the at least one planar sheet from said at least one magnetizer bar during movement of the at least one planar sheet through at least one magnetic field.
- 9) The system, according to Claim 8, wherein, when the at least one planer sheet is in position and coupled to said at least one magnetizer bar, said at least one magnetizer bar is structured and arranged to rotate to move the at least one planar sheet through such at least one magnetic field at a rate from about 10 feet per minute to about 50 feet per minute.
- 10) The system, according to Claim 9, wherein, when the at least one planer sheet is in position and coupled to said at least one magnetizer bar, said at least one magnetizer bar is structured and arranged to rotate to move the at least one planar sheet through such at least one magnetic field at a rate of at about 15 feet/min.
- 11) The system, according to Claim 8, wherein said at least one sheet decoupler comprises a plurality of decoupler elements.
- 12) The system, according to Claim 11, wherein each of said plurality of decoupler elements are spaced about every inch along said at least one longitudinal axis.
- 13) The system, according to Claim 8, wherein said at least one sheet decoupler comprises at least one planar rigid decoupler plate.
- 14) The system, according to Claim 13, wherein said at least one planar rigid decoupler plate comprises a plurality of apertures structured and arranged to permit protrusion of at least one portion of said at least one magnetizer bar to assist movement of the at least one planar sheet, when the at least one planer sheet is in position and coupled to said at least one magnetizer bar.
- 15) The system, according to Claim 3, wherein said at least one magnetizer bar comprises at least one magnetizer bar set situate partially above and partially below a movement track of the at least one planar sheet.
- 16) The system, according to Claim 15, wherein said at least one magnetizer bar set comprises at least two magnetizer bar sub-sets, each said magnetizer bar sub-set comprising:
- a) at least one magnetic field source above the movement track;

- b) at least one magnetic field source below the movement track; and
 - c) at least one flux field situate between said at least one magnetic field source above the movement track and said at least one magnetic field source below the movement track;
 - 5 d) wherein said at least one flux field crosses the movement track.
- 17) The system, according to Claim 16, further comprising at least one magnetic field source aligner structured and arranged to align said at least one magnetic field source above the movement track and said at least one magnetic field source below the movement track in such manner as to maximize said at least one flux field crossing the movement track.
- 10 18) The system, according to Claim 17, wherein each upper magnetic field source is encased to provide at least one smooth surface.
- 19) The system, according to Claim 18, wherein an encasing material allows maximum transmission of magnetic field.
- 20) The system, according to Claim 19, wherein such encasing material comprises brass.
- 15 21) The system, according to Claim 3, wherein said at least one magnetizer bar comprises at least one magnetizer bar set situate below a movement track of the at least one planar sheet.
- 22) The system, according to Claim 3, wherein each said discrete field-producing lamination-set comprises from about 10 to about 20 laminations per inch.
- 20 23) The system, according to Claim 22, wherein each said discrete field-producing lamination-set comprises exactly 12 laminations per inch.
- 24) The system, according to Claim 23, wherein each said discrete field-producing lamination-set comprises a magnetic field of about 5000 Gauss to about 6000 Gauss.
- 25) The system, according to Claim 22, wherein each said discrete field-producing lamination-set comprises exactly 16 laminations per inch.
- 25 26) The system, according to Claim 25, wherein each said discrete field-producing lamination-set comprises a magnetic field of about 4000 Gauss to about 5000 Gauss.
- 27) The system, according to Claim 5, wherein said at least one rotary movement generator comprises at least one motor.
- 30 28) The system, according to Claim 5, further comprising:
- a) at least one power cord structured and arranged to assist power transfer from at least one external power source to said at least one rotary movement generator;
 - b) wherein said at least one power cord may be contained within said at least one enclosure when stored.

- 29) The system, according to Claim 5, further comprising at least one mounting member structured and arranged to mount, in at least one operational alignment, said at least one positioner and said at least one magnetizer to said at least one enclosure.
- 30) The system, according to Claim 29, wherein said at least one mounting member
5 comprises at least one aligning-mounting plate.
- 31) The system, according to Claim 30 wherein said at least one aligning-mounting plate comprises said at least one planar rigid decoupler plate.
- 32) The system, according to Claim 31, wherein said at least one planar rigid decoupler plate
10 comprises a plurality of apertures structured and arranged to permit protrusion of at least one portion of said at least one magnetizer bar to assist movement of the at least one planar sheet.
- 33) The system, according to Claim 30, wherein said at least one aligning-mounting plate mounts to said at least one enclosure.
- 34) The system, according to Claim 33, wherein said at least one aligning-mounting plate
15 divides said at least one enclosure into:
- a) at least one operation-isolated-region structured and arranged to assist protection of said at least one magnetizer and said at least one rotary movement generator from external interaction, during operation of said at least one magnetizer; and
 - b) at least one operation-accessible-region structured and arranged to permit user
20 access during operation of said at least one magnetizer.
- 35) The system, according to Claim 5, wherein said at least one enclosure comprises at least one aperture structured and arranged to permit operating power connection between said at least one rotary movement generator and external power source.
- 36) The system, according to Claim 1, wherein said at least one enclosure comprises at least
25 one securable briefcase structured and arranged to provide briefcase securing of said at least one enclosure.
- 37) The system, according to Claim 1, wherein said at least one hand-carrier comprises at least one handle.
- 38) The system, according to Claim 1, further comprising at least one mounting member
30 structured and arranged to mount, in at least one operational alignment, said at least one positioner and said at least one magnetizer to said at least one enclosure.
- 39) The system, according to Claim 1, wherein said at least one positioner comprises at least one user-adjustable planar sheet feeder structured and arranged to user-adjustably feed the at least one planar sheet into said at least one magnetizer.

- 40) The system, according to Claim 39, wherein said at least one adjustable planar sheet feeder accepts a sheet width of less than about 13 inches.
- 41) The system, according to Claim 39, wherein said at least one adjustable planar sheet feeder collapses to allow containment in said at least one enclosure when stored.
- 5 42) A system, related to magnetization of at least one substantially planar sheet of substantially flexible magnetizable material, said system comprising:
- a) at least one first magnetic field source structured and arranged to produce at least one first magnetic field;
 - b) at least one second magnetic field source structured and arranged to produce at
10 least one second magnetic field; and
 - c) at least one geometric positioner structured and arranged to geometrically position said at least one first magnetic field source and said at least one second magnetic field source to generate at least one first magnetic-flux field region resulting from at least one magnetic-field interaction between said at least one first magnetic
15 field and said at least one second magnetic field;
 - d) wherein said at least one first magnetic-flux field region is situate substantially between said at least one first magnetic field source and said at least one second magnetic field source;
 - e) wherein said at least one geometric positioner comprises at least one passage
20 structured and arranged to allow moving passage of the substantially flexible magnetizable material through said at least one first magnetic-flux field region;
 - f) at least one enclosure structured and arranged to enclose said at least one first magnetic field source, said at least one second magnetic field source, and said at least one geometric positioner; and
 - g) at least one hand-carrier structured and arranged to permit hand-carrying of said at
25 least one enclosure.
- 43) The system, according to Claim 42, wherein:
- a) said at least one second magnetic field source is structured and arranged to make
30 physical contact with the at least one substantially planar sheet of substantially flexible magnetizable material during passage through said at least one first magnetic-flux field region; and
 - b) said at least one first magnetic field source is structured and arranged to avoid physical contact with the at least one substantially planar sheet of substantially

flexible magnetizable material during passage through said at least one first high-flux field region.

- 44) The system, according to Claim 43, wherein:
- 5 a) each of said at least one first magnetic field source and said at least one second magnetic field source comprises at least one magnetizer bar comprising at least one longitudinal axis;
- b) said at least one magnetizer bar comprises a plurality of discrete field-producing lamination-sets spaced along said at least one longitudinal axis;
- 10 c) each discrete field-producing lamination-set of said plurality comprises at least one circular magnetic disk and at least one circular flux-conducting spacer magnetically coupled with said at least one circular magnetic disk; and
- d) each said at least one circular magnetic disk and each said at least one circular flux-conducting spacer are coaxial with said at least one longitudinal axis.
- 45) The system, according to Claim 44, further comprising at least one axial-holder
15 structured and arranged to axially-hold said at least one magnetizer bar along said at least one longitudinal axis.
- 46) The system, according to Claim 45, further comprising at least one rotary movement generator structured and arranged to generate rotary movement of said at least one axial-holder and said at least one magnetizer bar.
- 20 47) The system, according to Claim 46, wherein said at least one magnetizer bar is structured and arranged to magnetically couple to the at least one planar sheet, when the at least one planar sheet is in position to pass through at least one magnetic field produced by said at least one magnetic field source, to transfer movement to the at least one planar sheet.
- 48) The system, according to Claim 47, wherein, when the at least one planer sheet is in
25 position and coupled to said at least one magnetizer bar, said at least one magnetizer bar is structured and arranged to rotate to move the at least one planar sheet through said at least one first magnetic-flux field region.
- 49) The system, according to Claim 48, further comprising at least one planar sheet decoupler
30 structured and arranged to decouple the at least one planar sheet from said at least one magnetizer bar during movement of the at least one planar sheet through said at least one first magnetic-flux field region.
- 50) The system, according to Claim 49, wherein said at least one magnetizer bar is structured and arranged to rotate to move the at least one planar sheet through said at least one first

magnetic-flux field region at a rate from about 10 feet per minute to about 50 feet per minute.

- 51) The system, according to Claim 50, wherein said at least one magnetizer bar rotates to move the at least one planar sheet through said at least one first magnetic-flux field region at a rate of at about 15 feet/min.
- 52) The system, according to Claim 43, wherein said at least one magnetizer bar comprises at least one magnetizing portion comprising from about 10 to about 20 laminations per inch.
- 53) The system, according to Claim 52, wherein said at least one magnetizing portion comprises exactly 16 laminations per inch.
- 10 54) The system, according to Claim 53, wherein said at least one magnetizing portion comprises a magnetic field of about 4000 Gauss to about 5000 Gauss.
- 55) The system, according to Claim 49, wherein said at least one sheet decoupler comprises at least one planar rigid decoupler plate.
- 56) The system, according to Claim 55, wherein said at least one planar rigid decoupler plate
15 comprises a plurality of apertures structured and arranged to permit protrusion of at least one portion of said at least one magnetizer bar to assist movement of the at least one planar sheet.
- 57) The system, according to Claim 56, wherein said at least one planar rigid decoupler plate mounts to said at least one enclosure.
- 20 58) The system, according to Claim 57, wherein said at least one planar rigid decoupler plate divides said at least one enclosure into:
- a) at least one operation-isolated-region structured and arranged to assist protection of said at least one magnetizer and said at least one rotary movement generator from external interaction, during operation of said at least one magnetizer; and
 - 25 b) at least one operation-accessible-region structured and arranged to permit user access during operation of said at least one magnetizer.
- 59) The system, according to Claim 42, further comprising at least one user-adjustable planar sheet feeder structured and arranged to user-adjustably feed the at least one planar sheet through said at least one first magnetic-flux field region.
- 30 60) The system, according to Claim 59, wherein said at least one adjustable planar sheet feeder accepts a sheet width of less than about 13 inches.
- 61) The system, according to Claim 59, wherein said at least one adjustable planar sheet feeder collapses to allow containment in said at least one enclosure when stored.

- 62) The system, according to Claim 42, further comprising at least one magnetic field source aligner structured and arranged to align said at least one first magnetic field source above the movement track and said at least one second magnetic field source below the movement track in such manner as to maximize said at least one magnetic-flux field region crossing the movement track.
- 5
- 63) The system, according to Claim 62, each said at least one first magnetic field source is encased to provide at least one smooth surface.
- 64) The system, according to Claim 63, wherein the encasing material allows maximum transmission of magnetic field.
- 10 65) The system, according to Claim 64, wherein the encasing material comprises brass.
- 66) A briefcase system comprising:
- a) at least one briefcase;
 - b) wherein said at least one briefcase comprises at least one aperture providing access to an interior of said at least one briefcase even when said at least one
- 15 briefcase is closed.

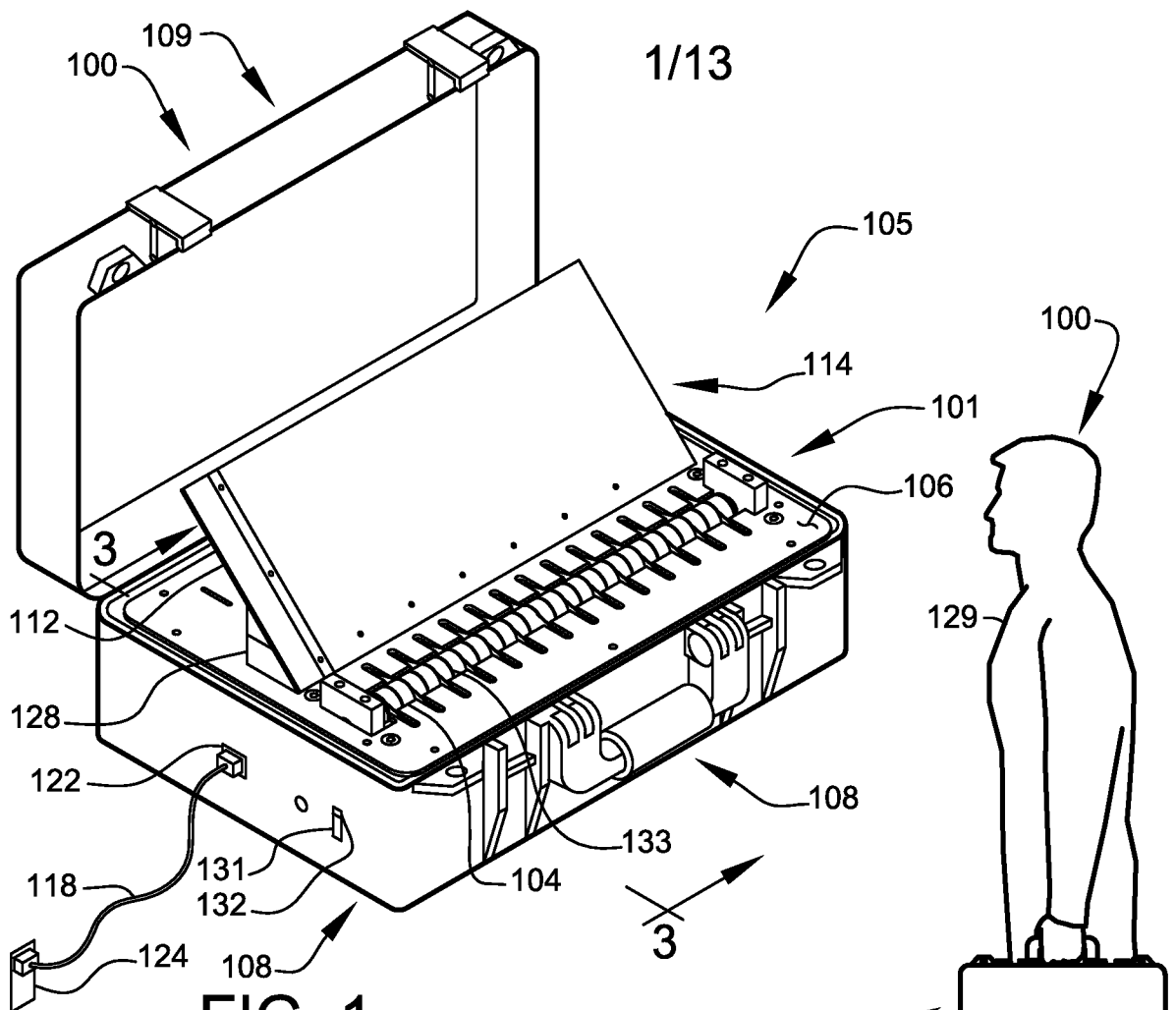


FIG. 1

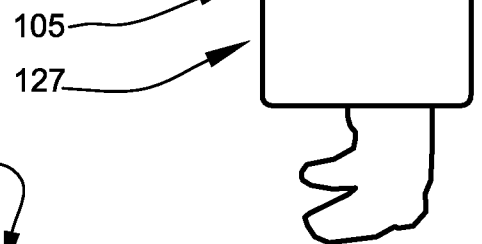


FIG. 2

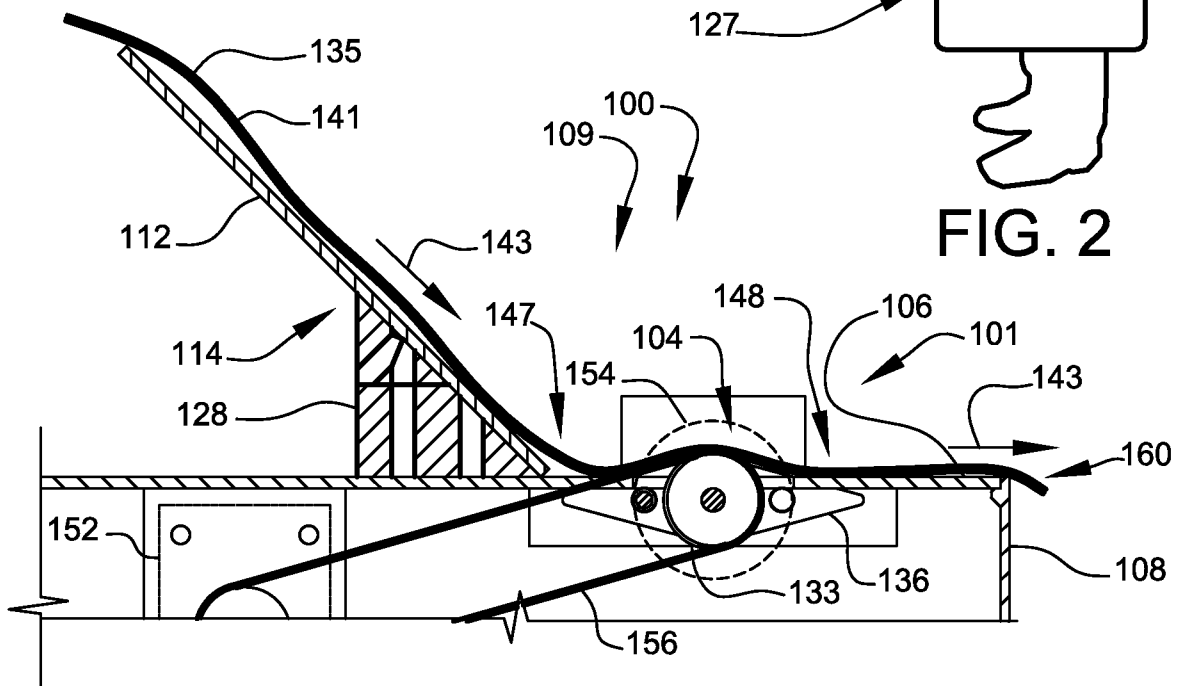


FIG. 3

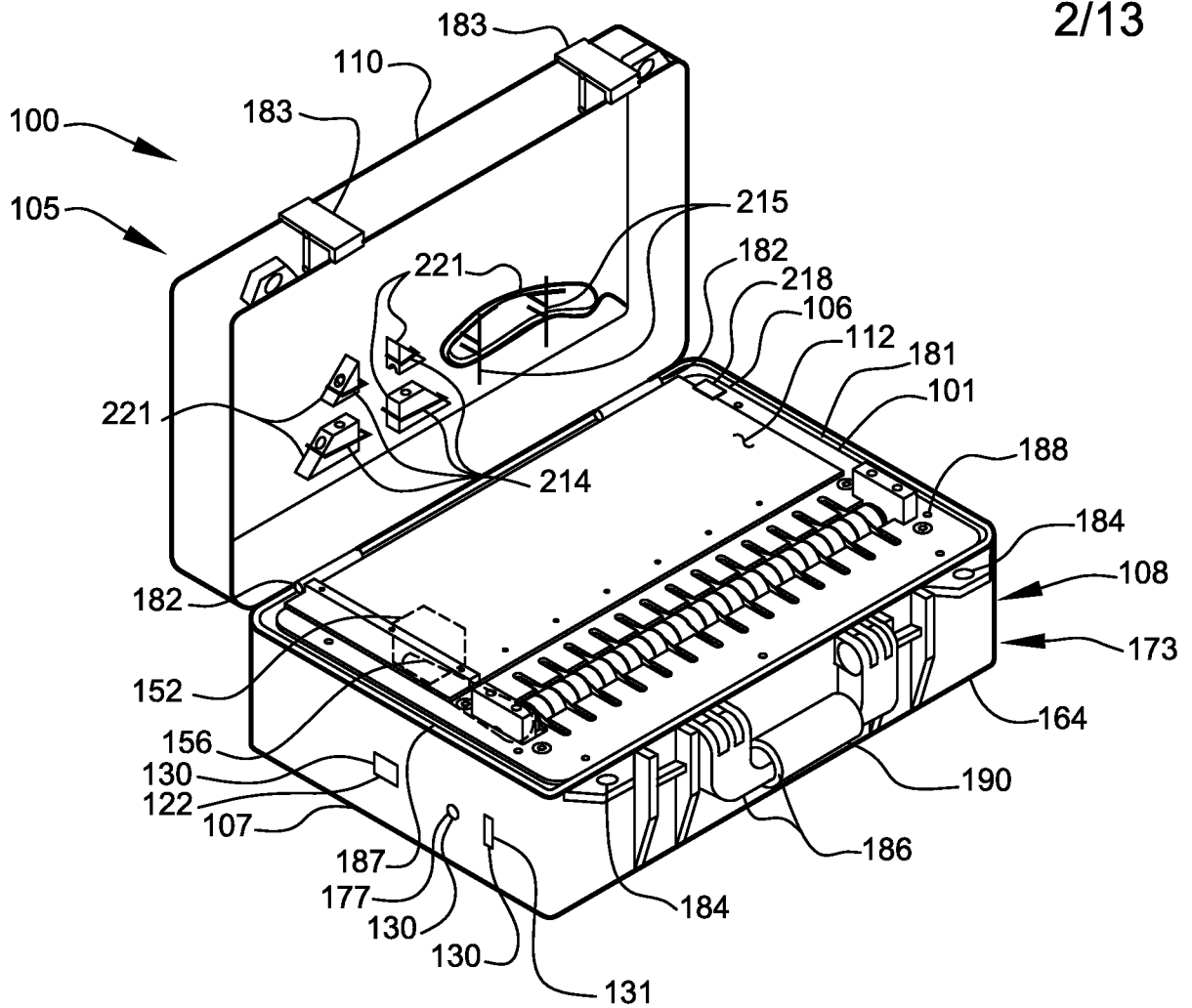


FIG. 4

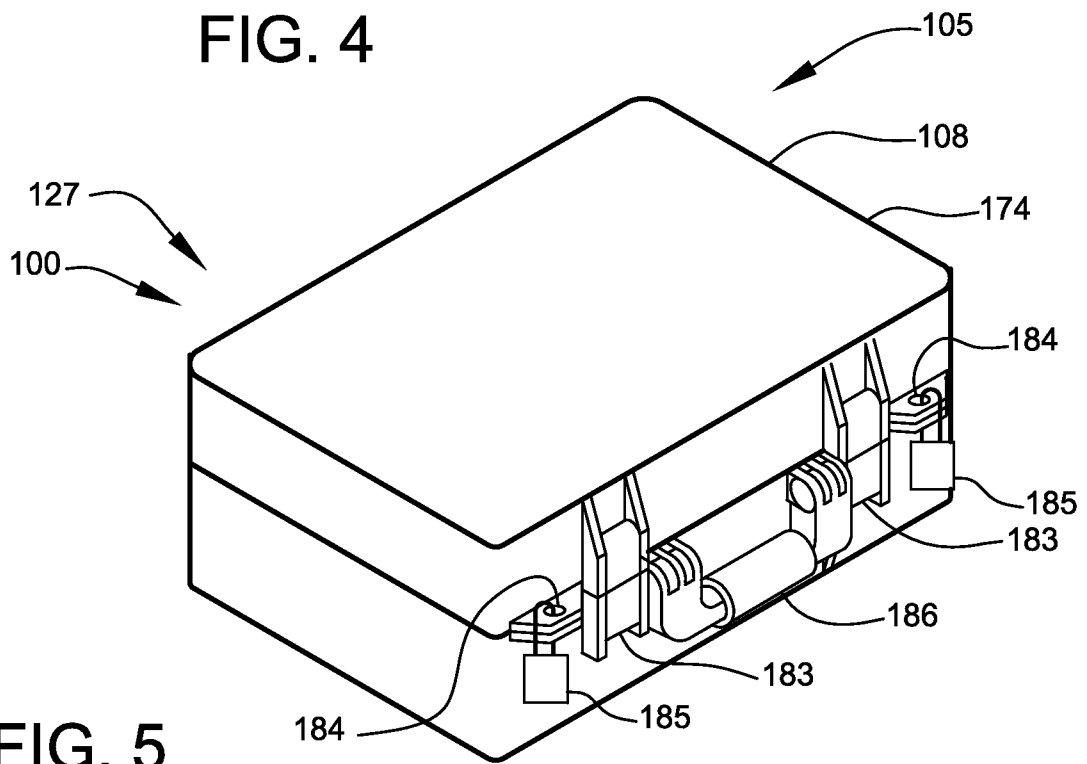


FIG. 5

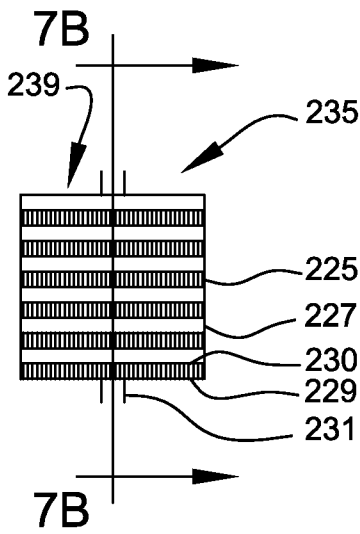


FIG. 7A

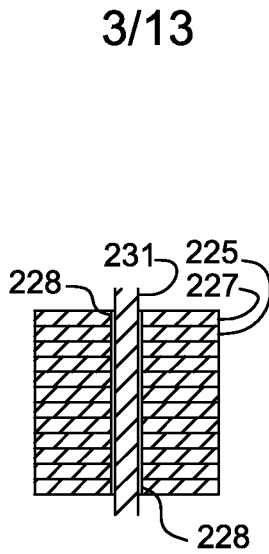


FIG. 7B

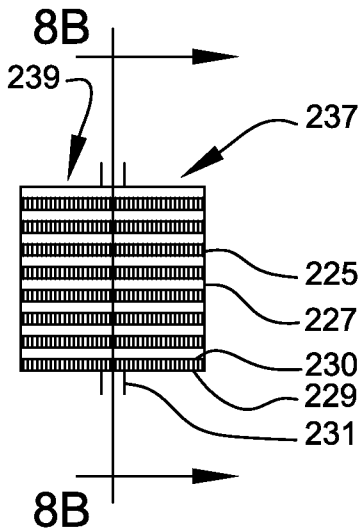


FIG. 8A

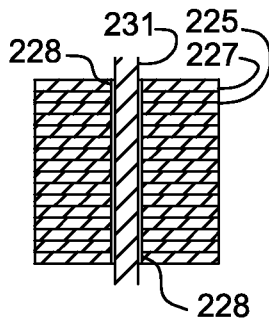


FIG. 8B

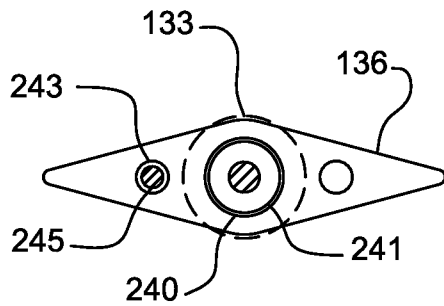


FIG. 9

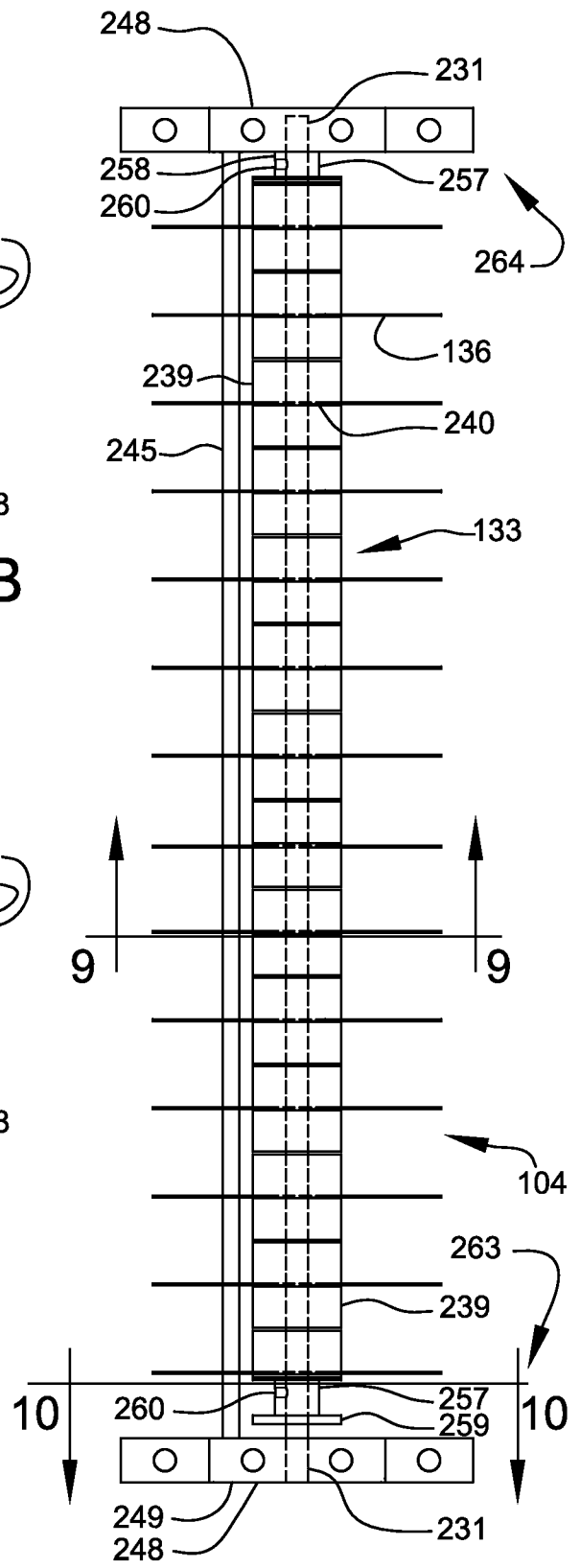


FIG. 6

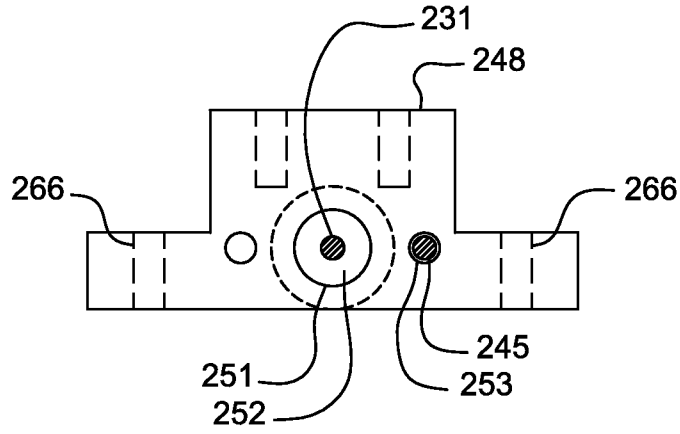


FIG. 10

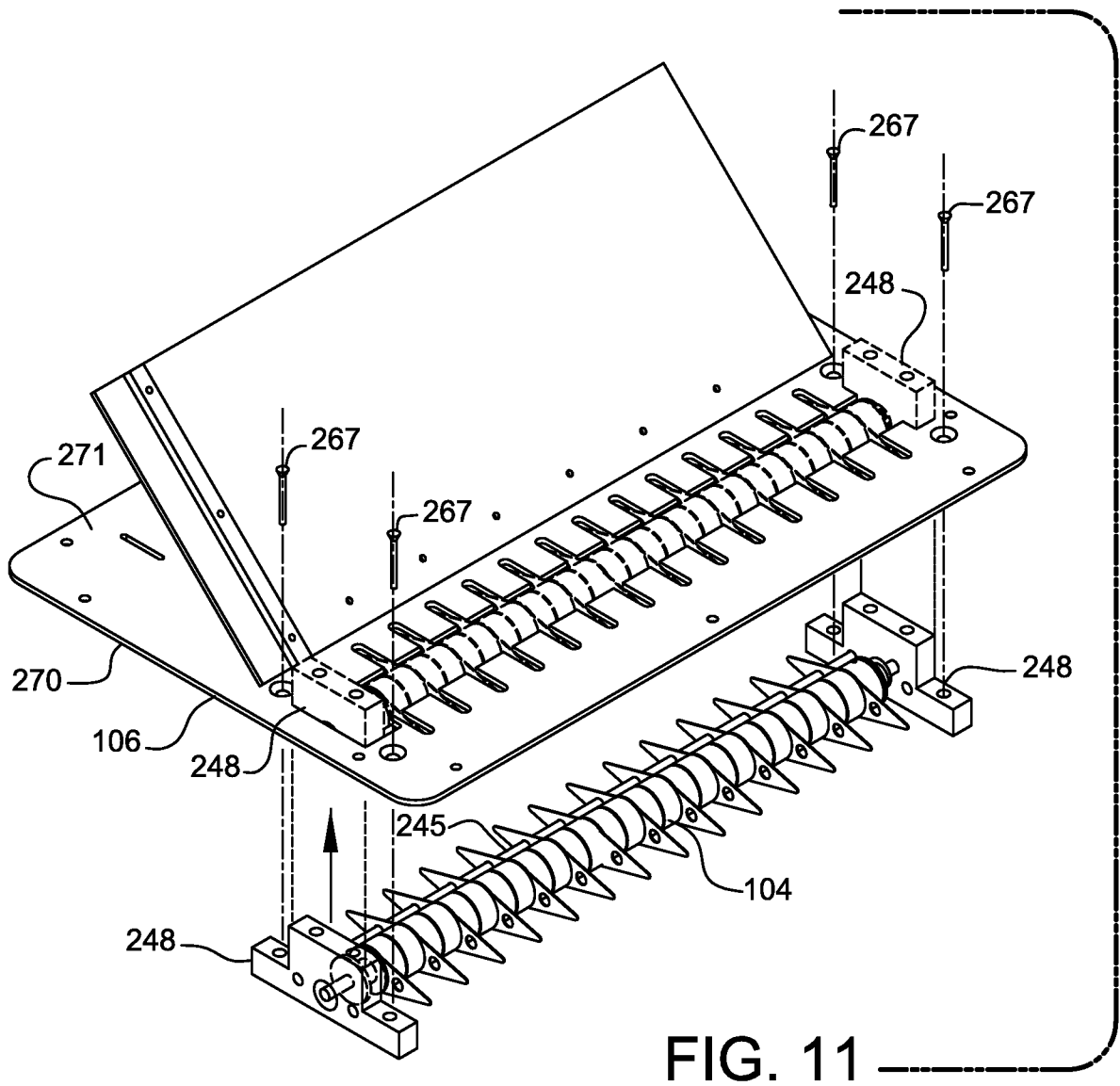


FIG. 11

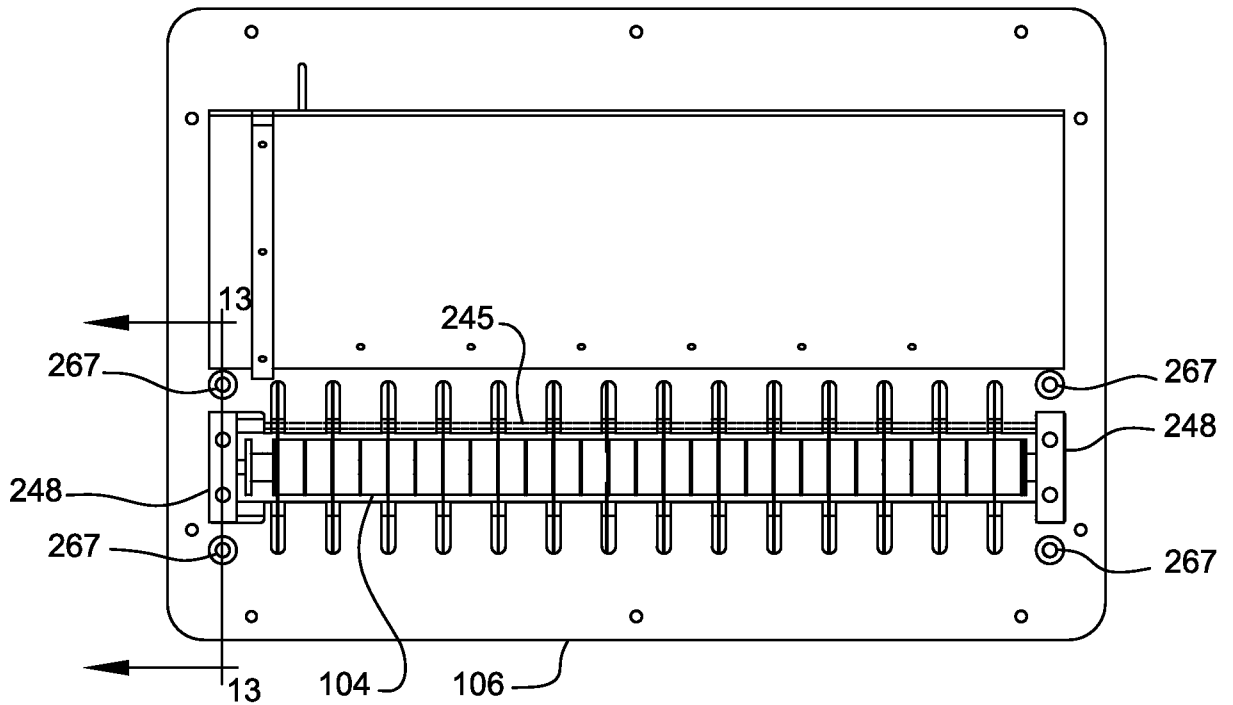


FIG. 12

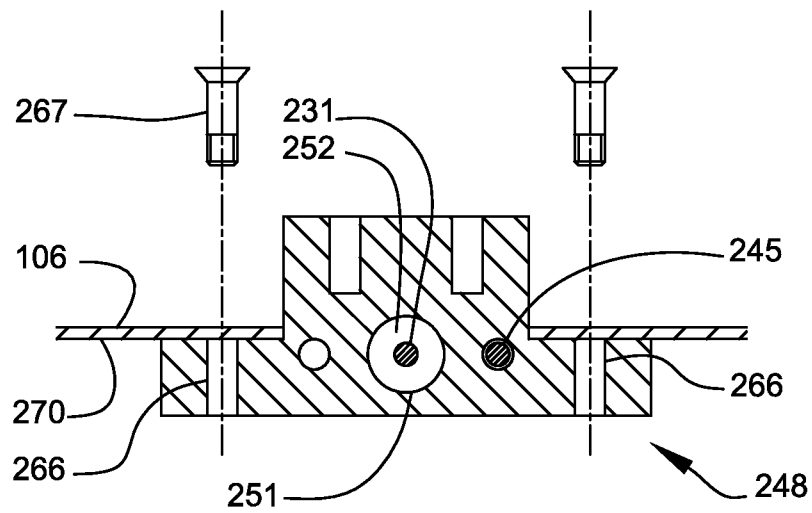


FIG. 13

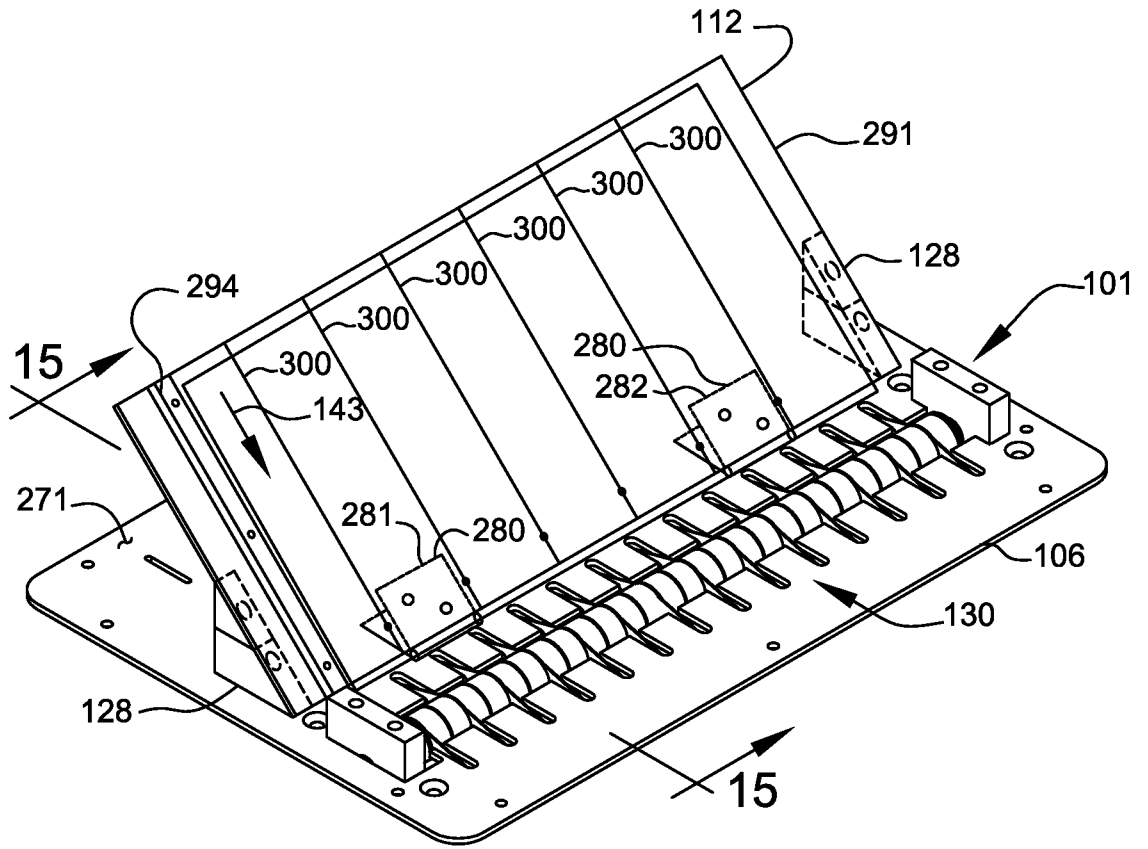


FIG. 14

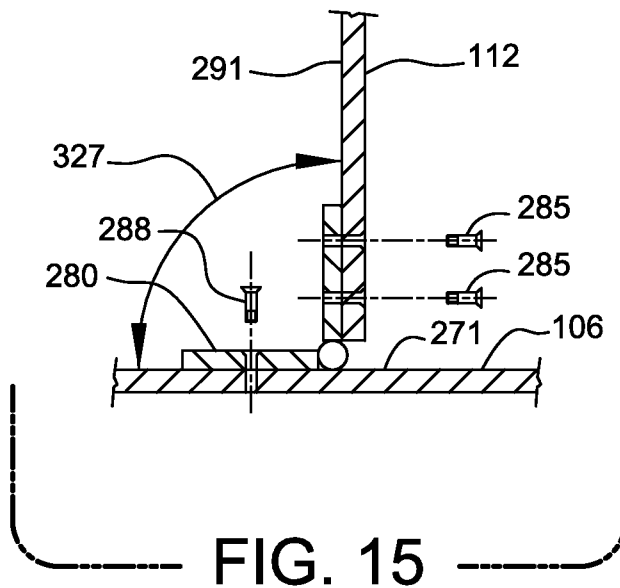
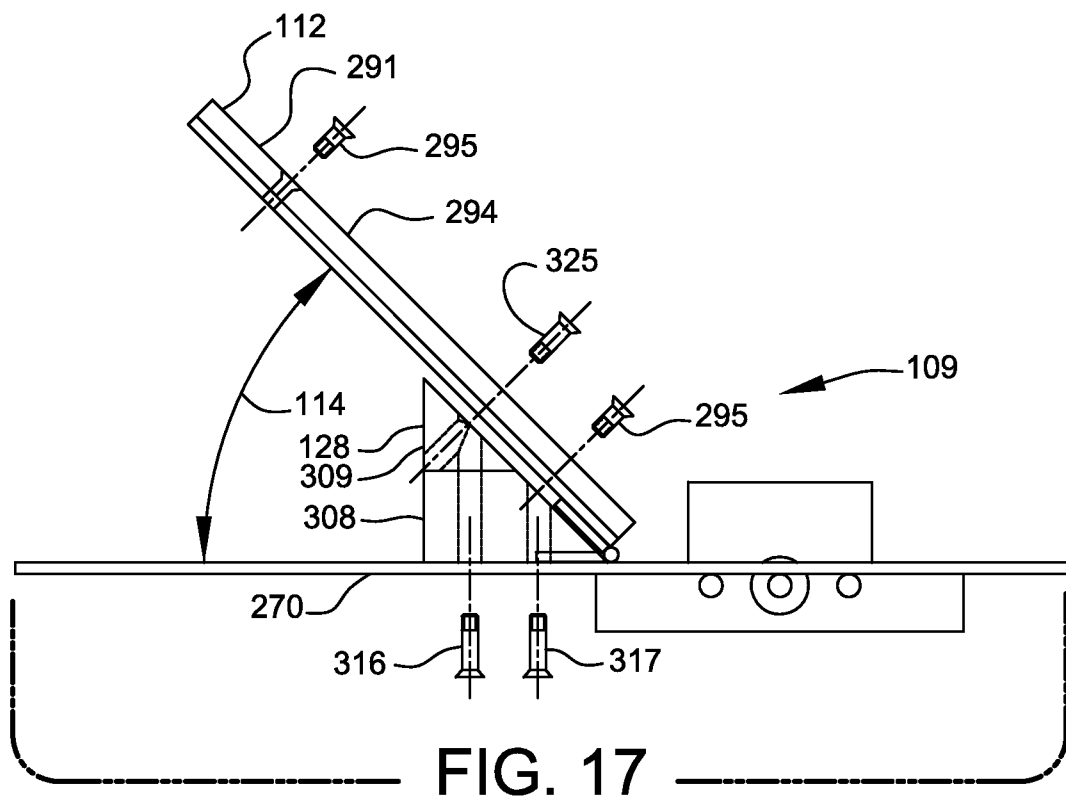
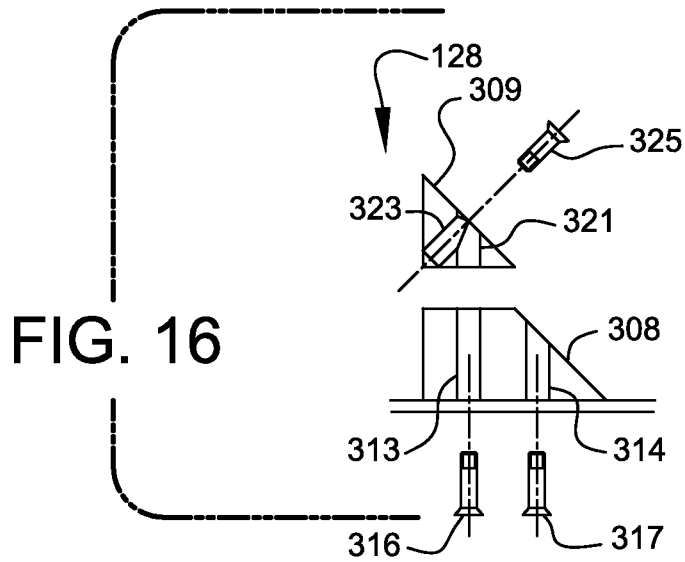


FIG. 15



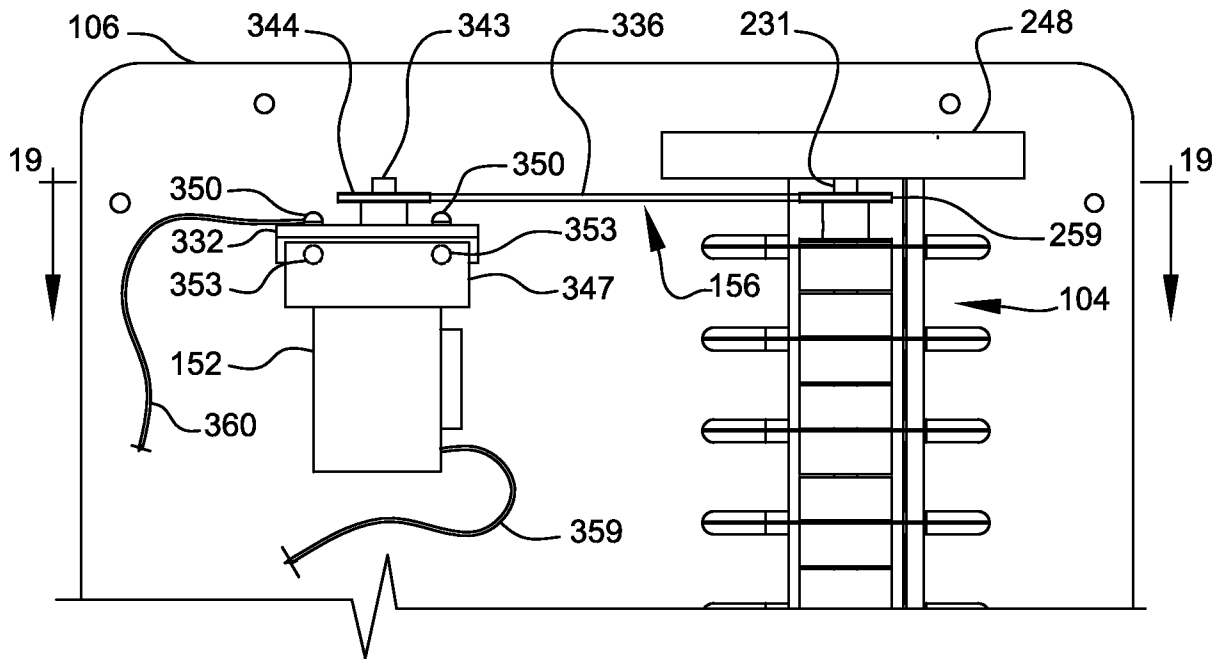


FIG. 18

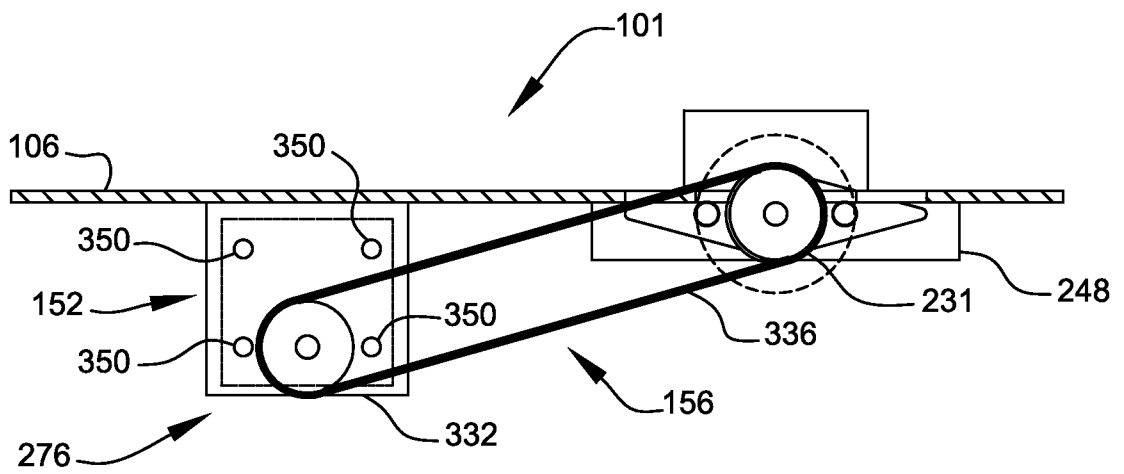


FIG. 19

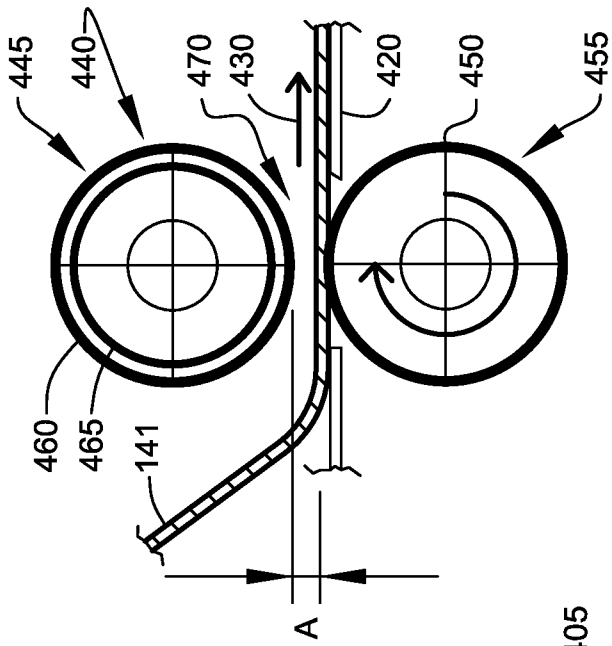


FIG. 21

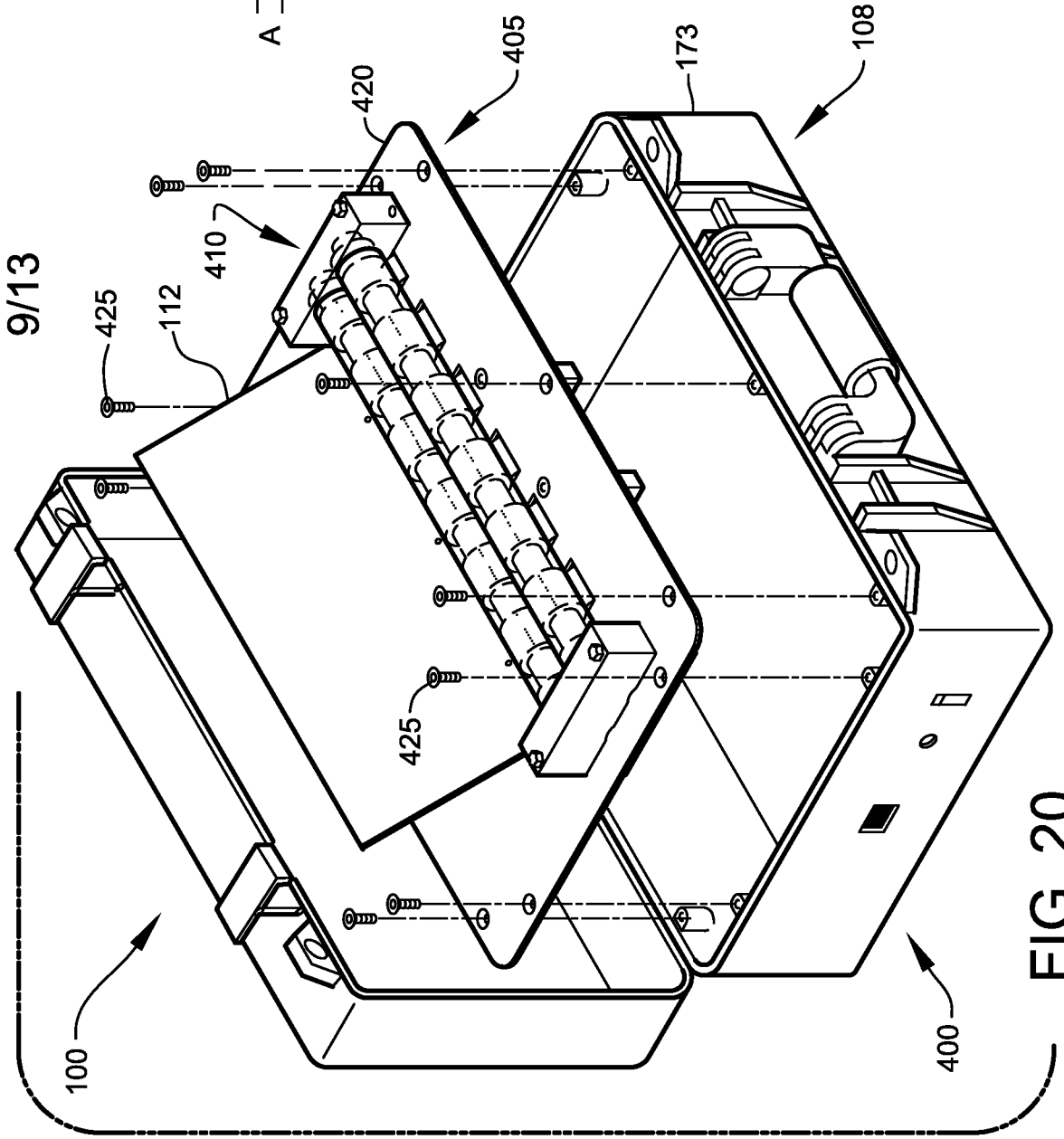
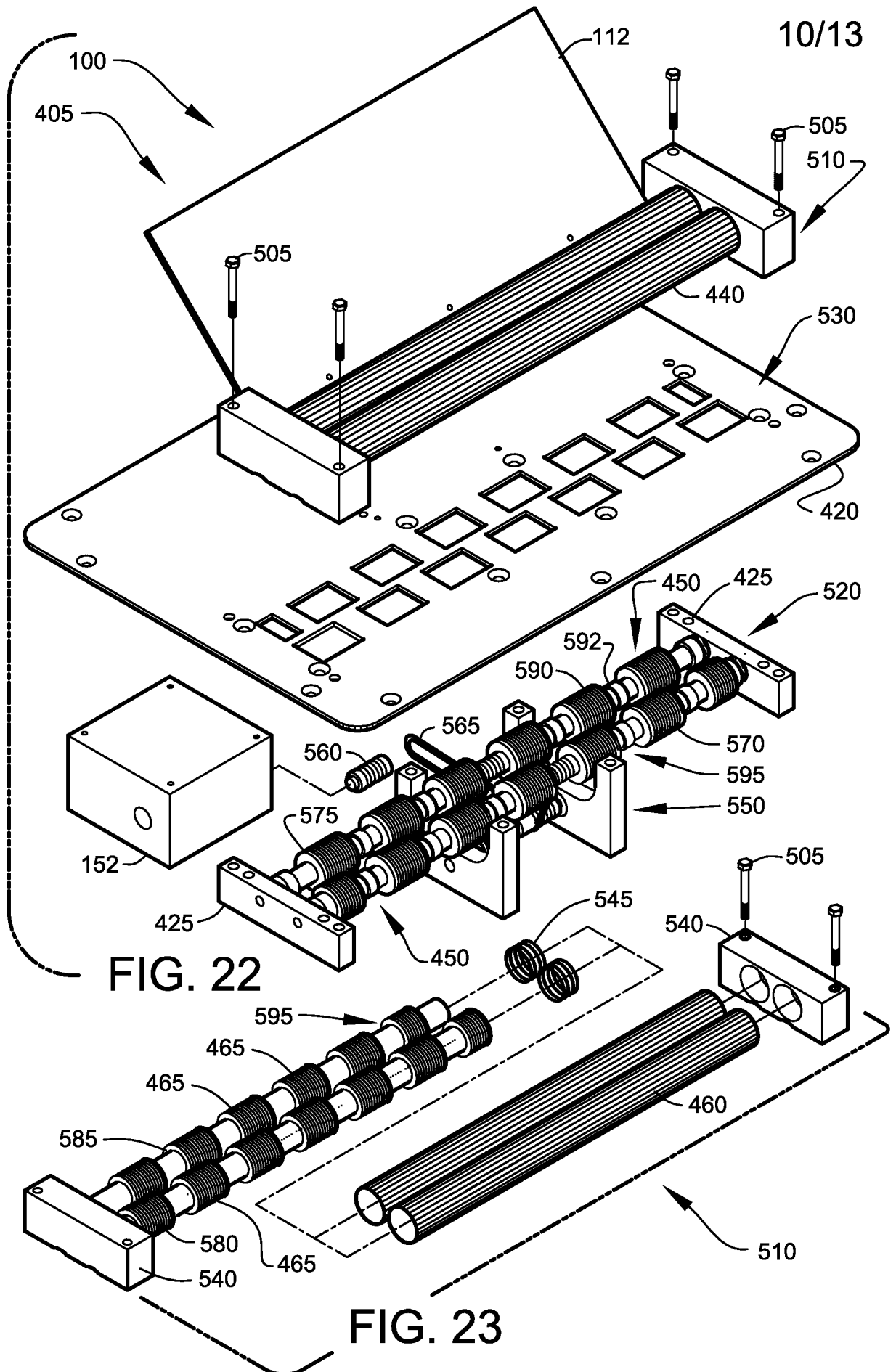
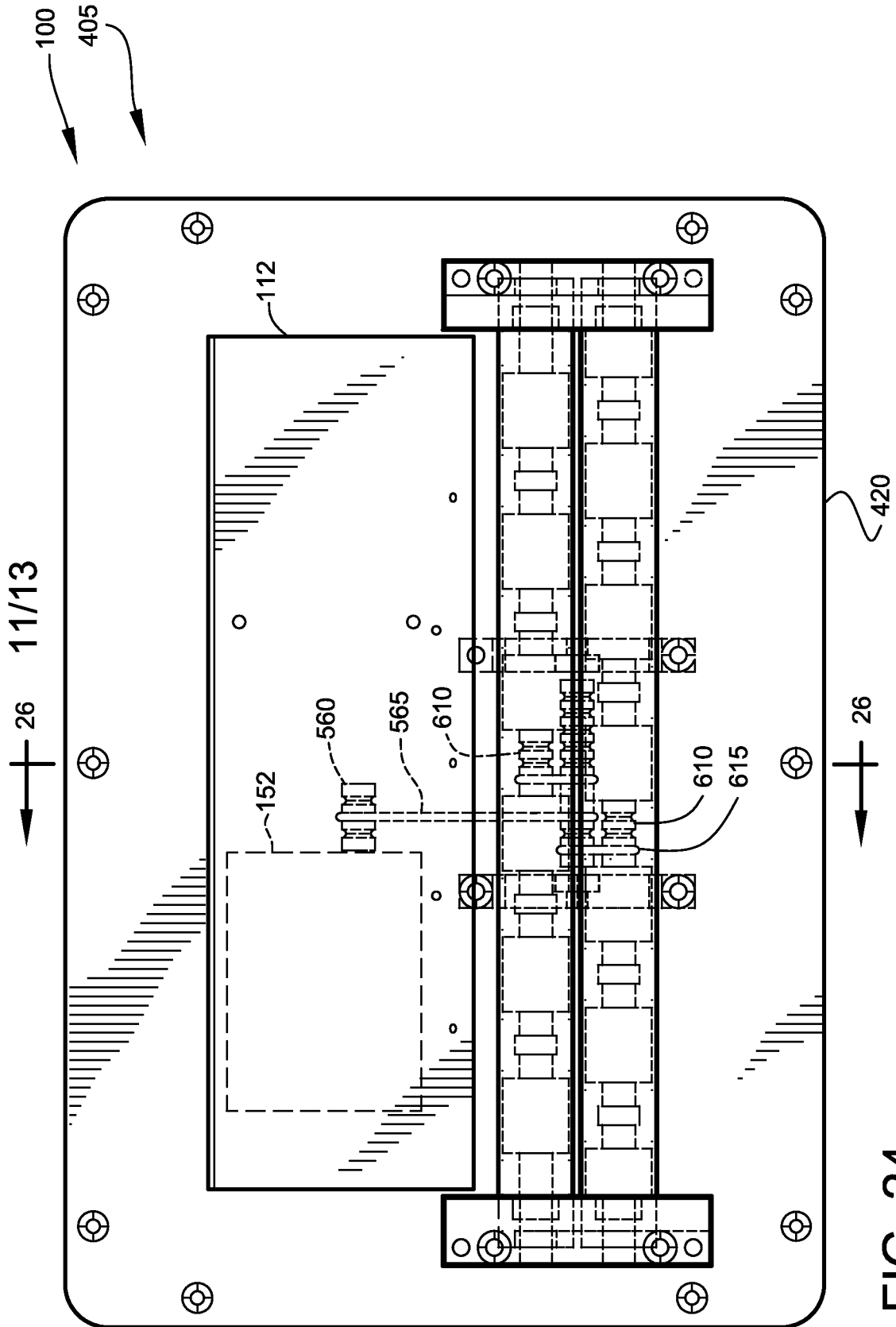


FIG. 20





12/13

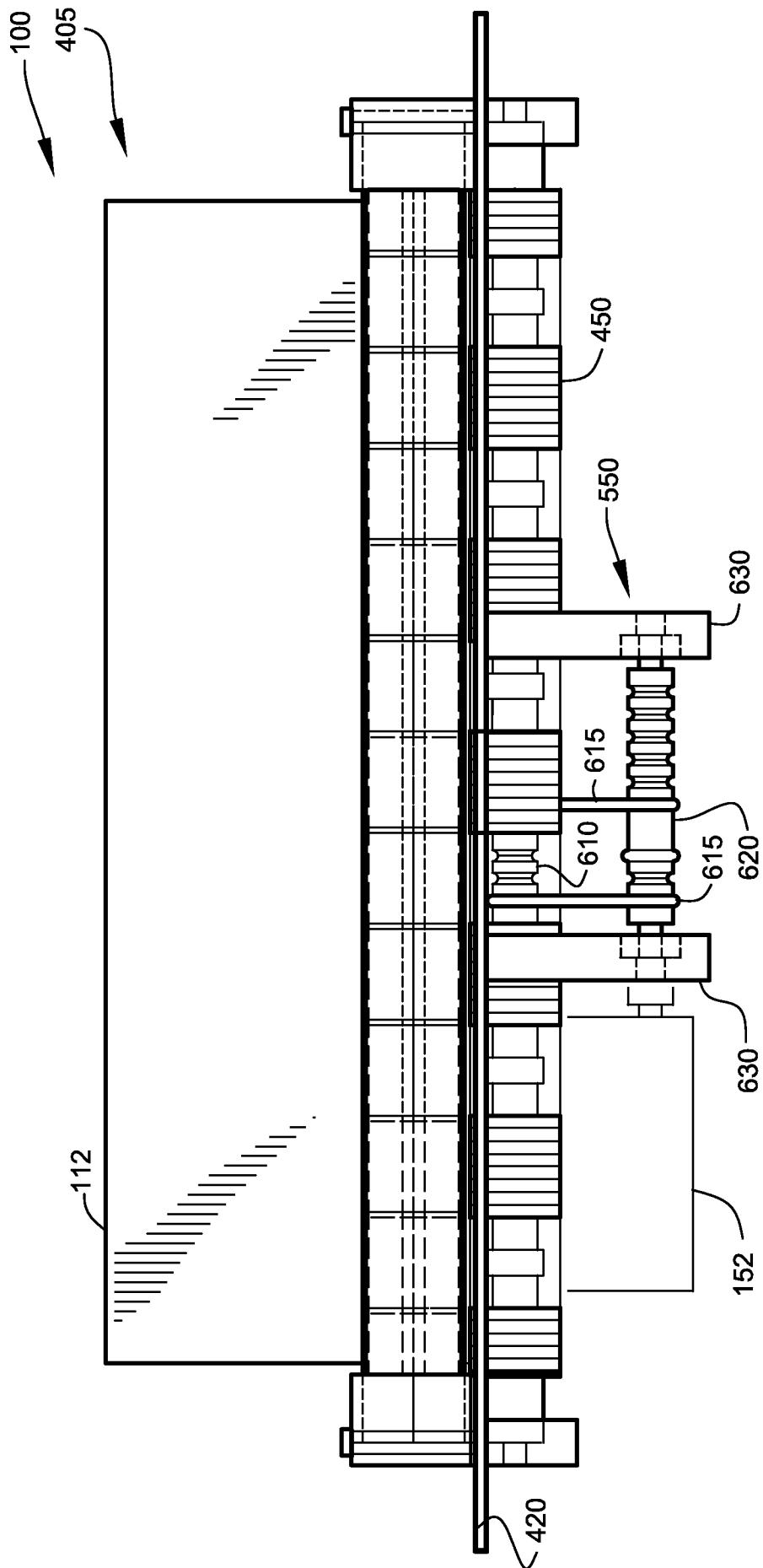
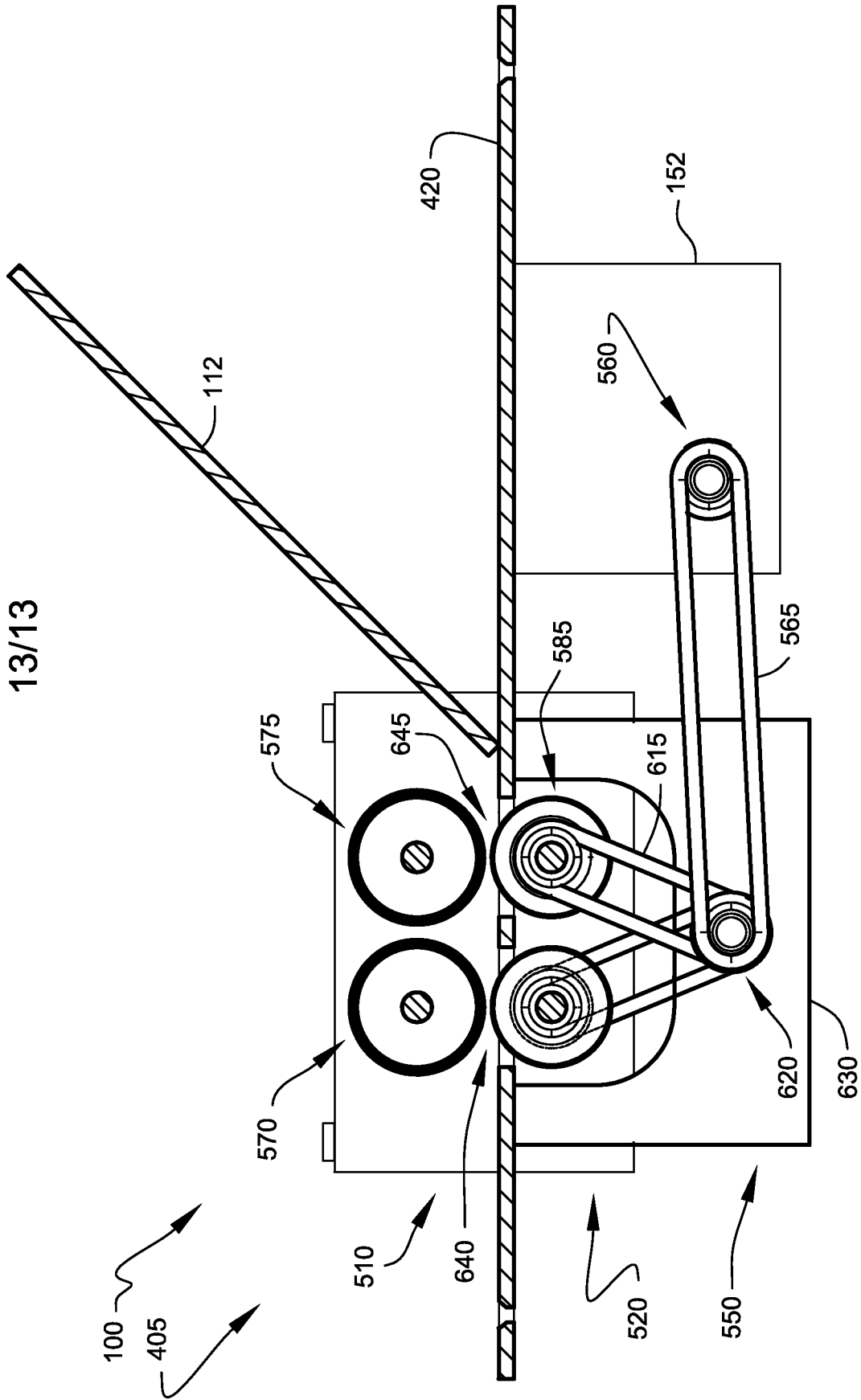


FIG. 25



13/13

FIG. 26