

(12) NACH DEM VERTRAG ÜBER DIE INTERNATIONALE ZUSAMMENARBEIT AUF DEM GEBIET DES PATENTWESENS (PCT) VERÖFFENTLICHTE INTERNATIONALE ANMELDUNG

(19) Weltorganisation für geistiges Eigentum
Internationales Büro



(43) Internationales Veröffentlichungsdatum
12. November 2009 (12.11.2009)

(10) Internationale Veröffentlichungsnummer
WO 2009/136231 A3

- (51) Internationale Patentklassifikation:
G06K 7/015 (2006.01)
- (21) Internationales Aktenzeichen: PCT/IB2008/005002
- (22) Internationales Anmeldedatum:
7. November 2008 (07.11.2008)
- (25) Einreichungssprache: Deutsch
- (26) Veröffentlichungssprache: Deutsch
- (30) Angaben zur Priorität:
102007053412.6 9. November 2007 (09.11.2007) DE
- (71) Anmelder (für alle Bestimmungsstaaten mit Ausnahme von US): **FIRST DATA CORPORATION** [US/US]; 6200 S. Quebec St., Suite 270, Greenwood Village, CO 80111 (US).
- (72) Erfinder; und
- (75) Erfinder/Anmelder (nur für US): **BAUDER, Jens** [DE/DE]; Gabriele-munter-weg 2, 73770 Denkendorf (DE). **DRAGOUDAKIS, Diamantis** [DE/DE]; Fritz-theilmann-strabe 5, 75249 Kieselbronn (DE).
- (74) Anwälte: **GIBBY, Darin, J.** et al.; Townsend And Townsend And Crew Llp, 1200 17th Street, Suite 2700, Denver, CO 80202 (US).
- (81) Bestimmungsstaaten (soweit nicht anders angegeben, für jede verfügbare nationale Schutzrechtsart): AE, AG, AL, AM, AO, AT, AU, AZ, BA, BB, BG, BH, BR, BW, BY, BZ, CA, CH, CN, CO, CR, CU, CZ, DE, DK, DM, DO, DZ, EC, EE, EG, ES, FI, GB, GD, GE, GH, GM, GT, HN, HR, HU, ID, IL, IN, IS, JP, KE, KG, KM, KN, KP, KR, KZ, LA, LC, LK, LR, LS, LT, LU, LY, MA, MD, ME, MG, MK, MN, MW, MX, MY, MZ, NA, NG, NI, NO, NZ, OM, PG, PH, PL, PT, RO, RS, RU, SC, SD, SE, SG, SK, SL, SM, ST, SV, SY, TJ, TM, TN, TR, TT, TZ, UA, UG, US, UZ, VC, VN, ZA, ZM, ZW.
- (84) Bestimmungsstaaten (soweit nicht anders angegeben, für jede verfügbare regionale Schutzrechtsart): ARIPO (BW, GH, GM, KE, LS, MW, MZ, NA, SD, SL, SZ, TZ, UG, ZM, ZW), eurasisches (AM, AZ, BY, KG, KZ, MD, RU, TJ, TM), europäisches (AT, BE, BG, CH, CY, CZ, DE, DK, EE, ES, FI, FR, GB, GR, HR, HU, IE, IS, IT, LT, LU, LV, MC, MT, NL, NO, PL, PT, RO, SE, SI, SK, TR), OAPI (BF, BJ, CF, CG, CI, CM, GA, GN, GQ, GW, ML, MR, NE, SN, TD, TG).
- Veröffentlicht:
— mit internationalem Recherchenbericht (Artikel 21 Absatz 3)

[Fortsetzung auf der nächsten Seite]

(54) Title: CARD TERMINAL FOR PERFORMING ELECTRONIC TRANSACTIONS, IN PARTICULAR PAYMENT TRANSACTIONS

(54) Bezeichnung : KARTENTERMINAL ZUR DURCHFÜHRUNG ELEKTRONISCHER TRANSAKTIONEN, INSBESONDERE BEZAHLTRANSAKTIONEN

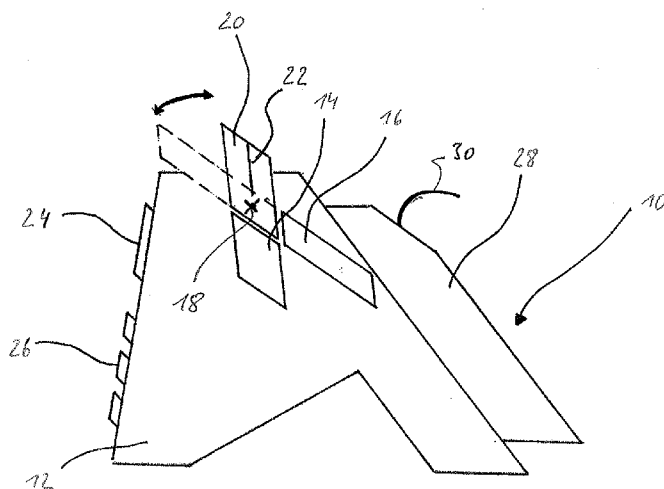


Figure 1

(57) Abstract: A card terminal for performing electronic transactions comprises a housing (12), a card insertion unit (20) mounted on the housing (12) movably relative thereto between at least two predetermined reading positions, with a card insertion opening (22) permitting the insertion of a transaction authentication card in each of its reading positions and at least two reader units (14, 16) accommodated in the housing (12) immovably relative thereto for reading information located on the transaction authentication card, wherein the reader units (14, 16) are arranged relative to the card insertion unit (20) in such a way that in each reading position of the card insertion unit (20) the transaction authentication card inserted therein can be read by one of the reader units (14, 16) in each case.

(57) Zusammenfassung: Ein Kartenterminal zur Durchführung elektronischer Transaktionen umfasst ein Gehäuse (12), eine an dem Gehäuse (12) relativ zu diesem zwischen mindestens zwei vorbestimmten Lesestellungen beweglich montierte Karteneinführeinheit

[Fortsetzung auf der nächsten Seite]

WO 2009/136231 A3



(88) Veröffentlichungsdatum des internationalen Recher-
chenberichts:

12. Mai 2011

(20) mit einer in jeder in ihrer Lesestellungen das Einführen einer Transaktionsauthentisie-
rungskarte gestattenden Kartenein-
führoffnung (22) sowie mindestens zwei in dem Gehäuse (12) relativ zu diesem unbeweglich untergebrachte Leseeinheiten (14,
16) für das Auslesen von auf der Transaktionsauthentisierungskarte befindlichen Informationen, wobei die Leseeinheiten (14, 16)
derart relativ zu der Karteneinführeinheit (20) angeordnet sind, dass in jeder Lesestellung der Karteneinführeinheit (20) die darin
eingeführte Transaktionsauthentisierungskarte von jeweils einer der Leseeinheiten (14, 16) auslesbar ist.

INTERNATIONAL SEARCH REPORT

International application No.

PCT/IB 08/05002

A. CLASSIFICATION OF SUBJECT MATTER IPC(8) - G06K 7/015 (2011.01) USPC - 235/449 According to International Patent Classification (IPC) or to both national classification and IPC																															
B. FIELDS SEARCHED Minimum documentation searched (classification system followed by classification symbols) USPC: 235/449 Documentation searched other than minimum documentation to the extent that such documents are included in the fields searched USPC: 235/380; 360/2; (text search - see terms below) Electronic data base consulted during the international search (name of data base and, where practicable, search terms used) PubWEST(USPT,PGPB,EPAB,JPAB); Google Search Terms: card, reader, terminal, slot, swivel, head, feed, insertion, opening, entrance, movable, rotatable, two position, second reader, magnetic, stripe, slot, point, sale, adjustable, input, paths, gate																															
C. DOCUMENTS CONSIDERED TO BE RELEVANT																															
<table border="1"> <thead> <tr> <th>Category*</th> <th>Citation of document, with indication, where appropriate, of the relevant passages</th> <th>Relevant to claim No.</th> </tr> </thead> <tbody> <tr> <td>Y</td> <td>US 2006/0142058 A1 (ELIAS et al.) 29 June 2006 (29.06.2006), entire document especially the Abstract; Figs 1A, 1E; para [0022]</td> <td>1-4</td> </tr> <tr> <td>Y</td> <td>US 3,849,631 A (MERLINO et al.) 19 November 1964 (19.11.1964), entire document especially Fig 1; col 5, lns 24-34</td> <td>1-4</td> </tr> <tr> <td>Y</td> <td>US 3,527,406 A (SNELLMAN) 08 September 1970 (08.09.1970), entire document especially col 1, lns 57-6; col 2, ln 52-col 3, ln 8</td> <td>1-4</td> </tr> <tr> <td>Y</td> <td>US 6,655,590 B1 (MCFEELY et al.) 02 December 2003 (02.12.2003), entire document especially Fig 33; col 1, lns 39-40; col 15, lns 22-38</td> <td>3-4</td> </tr> <tr> <td>Y</td> <td>US 4,301,361 A (LEES) 17 November 1981 (17.11.1981), entire document especially the Abstract; Fig 2 -----</td> <td>3-4</td> </tr> <tr> <td>Y</td> <td>US 5,368,147 A (MENKE et al.) 29 November 1994 (29.11.1994), entire document especially the Abstract</td> <td>1-4</td> </tr> <tr> <td>Y</td> <td>US 2006/0022039 A1 (BECK et al.) 02 February 2006 (02.02.2006), entire document Fig 2; para [0046]</td> <td>1-4</td> </tr> <tr> <td>Y</td> <td>US 5,260,552 A (COLBERT et al.) 09 November 1993 (09.11.1993), entire document especially Figs 1, 6, 7</td> <td>1-4</td> </tr> <tr> <td>Y</td> <td>US 6,719,285 B2 (TAN) 13 April 2004 (13.04.2004), the Abstract; Fig 1</td> <td>1-4</td> </tr> </tbody> </table>	Category*	Citation of document, with indication, where appropriate, of the relevant passages	Relevant to claim No.	Y	US 2006/0142058 A1 (ELIAS et al.) 29 June 2006 (29.06.2006), entire document especially the Abstract; Figs 1A, 1E; para [0022]	1-4	Y	US 3,849,631 A (MERLINO et al.) 19 November 1964 (19.11.1964), entire document especially Fig 1; col 5, lns 24-34	1-4	Y	US 3,527,406 A (SNELLMAN) 08 September 1970 (08.09.1970), entire document especially col 1, lns 57-6; col 2, ln 52-col 3, ln 8	1-4	Y	US 6,655,590 B1 (MCFEELY et al.) 02 December 2003 (02.12.2003), entire document especially Fig 33; col 1, lns 39-40; col 15, lns 22-38	3-4	Y	US 4,301,361 A (LEES) 17 November 1981 (17.11.1981), entire document especially the Abstract; Fig 2 -----	3-4	Y	US 5,368,147 A (MENKE et al.) 29 November 1994 (29.11.1994), entire document especially the Abstract	1-4	Y	US 2006/0022039 A1 (BECK et al.) 02 February 2006 (02.02.2006), entire document Fig 2; para [0046]	1-4	Y	US 5,260,552 A (COLBERT et al.) 09 November 1993 (09.11.1993), entire document especially Figs 1, 6, 7	1-4	Y	US 6,719,285 B2 (TAN) 13 April 2004 (13.04.2004), the Abstract; Fig 1	1-4	<input checked="" type="checkbox"/> Further documents are listed in the continuation of Box C. <input type="checkbox"/>
Category*	Citation of document, with indication, where appropriate, of the relevant passages	Relevant to claim No.																													
Y	US 2006/0142058 A1 (ELIAS et al.) 29 June 2006 (29.06.2006), entire document especially the Abstract; Figs 1A, 1E; para [0022]	1-4																													
Y	US 3,849,631 A (MERLINO et al.) 19 November 1964 (19.11.1964), entire document especially Fig 1; col 5, lns 24-34	1-4																													
Y	US 3,527,406 A (SNELLMAN) 08 September 1970 (08.09.1970), entire document especially col 1, lns 57-6; col 2, ln 52-col 3, ln 8	1-4																													
Y	US 6,655,590 B1 (MCFEELY et al.) 02 December 2003 (02.12.2003), entire document especially Fig 33; col 1, lns 39-40; col 15, lns 22-38	3-4																													
Y	US 4,301,361 A (LEES) 17 November 1981 (17.11.1981), entire document especially the Abstract; Fig 2 -----	3-4																													
Y	US 5,368,147 A (MENKE et al.) 29 November 1994 (29.11.1994), entire document especially the Abstract	1-4																													
Y	US 2006/0022039 A1 (BECK et al.) 02 February 2006 (02.02.2006), entire document Fig 2; para [0046]	1-4																													
Y	US 5,260,552 A (COLBERT et al.) 09 November 1993 (09.11.1993), entire document especially Figs 1, 6, 7	1-4																													
Y	US 6,719,285 B2 (TAN) 13 April 2004 (13.04.2004), the Abstract; Fig 1	1-4																													
<p>* Special categories of cited documents:</p> <p>"A" document defining the general state of the art which is not considered to be of particular relevance</p> <p>"E" earlier application or patent but published on or after the international filing date</p> <p>"L" document which may throw doubts on priority claim(s) or which is cited to establish the publication date of another citation or other special reason (as specified)</p> <p>"O" document referring to an oral disclosure, use, exhibition or other means</p> <p>"P" document published prior to the international filing date but later than the priority date claimed</p>	<p>"T" later document published after the international filing date or priority date and not in conflict with the application but cited to understand the principle or theory underlying the invention</p> <p>"X" document of particular relevance; the claimed invention cannot be considered novel or cannot be considered to involve an inventive step when the document is taken alone</p> <p>"Y" document of particular relevance; the claimed invention cannot be considered to involve an inventive step when the document is combined with one or more other such documents, such combination being obvious to a person skilled in the art</p> <p>"&" document member of the same patent family</p>																														
Date of the actual completion of the international search 29 January 2011 (29.01.2011)	Date of mailing of the international search report 14 FEB 2011																														
Name and mailing address of the ISA/US Mail Stop PCT, Attn: ISA/US, Commissioner for Patents P.O. Box 1450, Alexandria, Virginia 22313-1450 Facsimile No. 571-273-3201	Authorized officer: Lee W. Young PCT Helpdesk: 571-272-4300 PCT OSP: 571-272-7774																														

INTERNATIONAL SEARCH REPORT

International application No.

PCT/IB 08/05002

C (Continuation). DOCUMENTS CONSIDERED TO BE RELEVANT		
Category*	Citation of document, with indication, where appropriate, of the relevant passages	Relevant to claim No.
Y	AKSEL et al., Magnetic-Card Operated Auto-Park Barrier System Supported by Micro-Controller Based Infrared Module, Article [online], 25 September 2006 (25.09.2006) [retrieved on 30 January 2011 (30.01.2011)]. Retrieved from the Internet:<URL: http://web.archive.org/web/20060925114018/http://faraday.ee.emu.edu.tr/eaince/emo_article.pdf > pgs 1-2; Fig 1	1-4
Y	US 6,003,008 A (POSTREL et al.) 14 December 1999 (14.12.1999), entire document especially the Abstract; Figs 2, 4	1-4
Y	US 6,073,838 A (BAITZ et al.) 13 June 2000 (13.06.2000), entire document especially the Abstract; Fig 3	1-4
Y	US 2005/0111895 A1 (BOWEN et al.) 26 May 2005 (26.05.2005), entire document especially Figs 1-2	3-4
A	US 2004/0173679 A1 (OKI et al.) 09 September 2004 (09.09.2004), entire document	1-4
A	US 2005/0224583 A1 (TAMBURRINI et al.) 13 October 2005 (13.10.2005), entire document	1-4
A	US 2005/0035198 A1 (WILENSKY) 17 February 2005 (17.02.2005), entire document	1-4
A	US 6,076,731 A (TERRELL) 20 June 2000 (20.06.2000), entire document	1-4
A	US 5,434,402 A (BIANCO) 18 July 1995 (18.07.1995), entire document	1-4
A	US 5,079,412 A (SUGIYAMA) 07 January 1992 (07.01.1992), entire document	1-4
A	US 4,923,154 A (KONKEL) 08 May 1990 (08.05.1990) entire document	1-4

INTERNATIONAL SEARCH REPORT

International application No.

PCT/IB 08/05002

Box No. II Observations where certain claims were found unsearchable (Continuation of item 2 of first sheet)

This international search report has not been established in respect of certain claims under Article 17(2)(a) for the following reasons:

1. Claims Nos.:
because they relate to subject matter not required to be searched by this Authority, namely:

2. Claims Nos.:
because they relate to parts of the international application that do not comply with the prescribed requirements to such an extent that no meaningful international search can be carried out, specifically:

3. Claims Nos.: 5-14
because they are dependent claims and are not drafted in accordance with the second and third sentences of Rule 6.4(a).

Box No. III Observations where unity of invention is lacking (Continuation of item 3 of first sheet)

This International Searching Authority found multiple inventions in this international application, as follows:

1. As all required additional search fees were timely paid by the applicant, this international search report covers all searchable claims.
2. As all searchable claims could be searched without effort justifying additional fees, this Authority did not invite payment of additional fees.
3. As only some of the required additional search fees were timely paid by the applicant, this international search report covers only those claims for which fees were paid, specifically claims Nos.:

4. No required additional search fees were timely paid by the applicant. Consequently, this international search report is restricted to the invention first mentioned in the claims; it is covered by claims Nos.:

Remark on Protest

- The additional search fees were accompanied by the applicant's protest and, where applicable, the payment of a protest fee.
- The additional search fees were accompanied by the applicant's protest but the applicable protest fee was not paid within the time limit specified in the invitation.
- No protest accompanied the payment of additional search fees.

INTERNATIONALER RECHERCHENBERICHT

Internationales Aktenzeichen

PCT/IB 08/05002

<p>A. KLASSIFIZIERUNG DES ANMELDUNGSGEGENSTANDES IPC(8) - G06K 7/015 (2011.01) USPC - 235/449 Nach der Internationalen Patentklassifikation (IPC) oder nach der nationalen Klassifikation und der IPC</p>																																
<p>B. RECHERCHIERTE GEBIETE</p> <p>Recherchierter Mindestprüfstoff (Klassifikationssystem und Klassifikationssymbole) USPC: 235/449 (Volltextsuche - siehe AGB unten)</p> <p>Recherchierte, aber nicht zum Mindestprüfstoff gehörende Veröffentlichungen, soweit diese unter die recherchierten Gebiete fallen USPC: 235/380; 360/2;</p> <p>Während der internationalen Recherche konsultierte elektronische Datenbank (Name der Datenbank und evtl. verwendete Suchbegriffe) PubWEST(USPT,PGPB,EPAB,JPAB); Google Suchbegriffe Karte, Kartenleser, Terminals, Schlitz, Schwenk-, Kopf-und Futtermitteln, Insertion, Öffnen, Eingang, beweglich, drehbar, zwei Positionen, zweite Leser, magnetische Streifen, Schlitz, Punkt, Verkauf, einstellbar, Eingang, Wege, Tor</p>																																
<p>C. ALS WESENTLICH ANGESEHENE UNTERLAGEN</p> <table border="1"> <thead> <tr> <th>Kategorie*</th> <th>Bezeichnung der Veröffentlichung, soweit erforderlich unter Angabe der in Betracht kommenden Teile</th> <th>Betr. Anspruch Nr.</th> </tr> </thead> <tbody> <tr> <td>Y</td> <td>US 2006/0142058 A1 (ELIAS U. A) 29 Juni 2006 (29.06.2006), ganze Dokument insbesondere Zusammenfassung; Figuren 1A, 1E; Abschnitt (0022)</td> <td>1-4</td> </tr> <tr> <td>Y</td> <td>US 3,849,631 A (MERLINO U.A.) 19 November 1964 (19.11.1964), ganze Dokument insbesondere Figur 1; Spalte 5, Ins 24-34</td> <td>1-4</td> </tr> <tr> <td>Y</td> <td>US 3,527,406 A (SNELLMAN) 08 September 1970 (08.09.1970), ganze Dokument insbesondere Spalte 1, Ins 57-6; Spalte 2, In 52-Spalte3, In 8</td> <td>1-4</td> </tr> <tr> <td>Y</td> <td>US 6,655,590 B1 (MCFEELY U.A.) 02 Dezember 2003 (02.12.2003, ganze Dokument insbesondere Bild 33; Spalte 1, Ins 39-40; spalte 15, Ins 22-38</td> <td>3-4</td> </tr> <tr> <td>Y</td> <td>US 4,301,361 A (LEES) 17 November 1981 (17.11.1981), ganze Dokument insbesondere Zusammenfassung; Bild2</td> <td>3-4</td> </tr> <tr> <td>Y</td> <td>US 5,368,147 A (MENKE U.A.) 29 November 1994 (29.11.1994), ganze Dokument insbesondere Zusammenfassung</td> <td>1-4</td> </tr> <tr> <td>Y</td> <td>US 2006/0022039 A1 (BECK U.A.) 02 Februar 2006 (02.02.2006), ganze Dokument Bild 2; Abschnitt (0046)</td> <td>1-4</td> </tr> <tr> <td>Y</td> <td>US 5,260,552 A (COLBERT U.A.) 09 November 1993 (09.11.1993, ganze Dokument insbesondere Bilder 1, 6, 7</td> <td>1-4</td> </tr> <tr> <td>Y</td> <td>US 6,719285 B2 (TAN) 13 April 2004 (13.04.2004), Zusammenfassung; Bild 1</td> <td>1-4</td> </tr> </tbody> </table>			Kategorie*	Bezeichnung der Veröffentlichung, soweit erforderlich unter Angabe der in Betracht kommenden Teile	Betr. Anspruch Nr.	Y	US 2006/0142058 A1 (ELIAS U. A) 29 Juni 2006 (29.06.2006), ganze Dokument insbesondere Zusammenfassung; Figuren 1A, 1E; Abschnitt (0022)	1-4	Y	US 3,849,631 A (MERLINO U.A.) 19 November 1964 (19.11.1964), ganze Dokument insbesondere Figur 1; Spalte 5, Ins 24-34	1-4	Y	US 3,527,406 A (SNELLMAN) 08 September 1970 (08.09.1970), ganze Dokument insbesondere Spalte 1, Ins 57-6; Spalte 2, In 52-Spalte3, In 8	1-4	Y	US 6,655,590 B1 (MCFEELY U.A.) 02 Dezember 2003 (02.12.2003, ganze Dokument insbesondere Bild 33; Spalte 1, Ins 39-40; spalte 15, Ins 22-38	3-4	Y	US 4,301,361 A (LEES) 17 November 1981 (17.11.1981), ganze Dokument insbesondere Zusammenfassung; Bild2	3-4	Y	US 5,368,147 A (MENKE U.A.) 29 November 1994 (29.11.1994), ganze Dokument insbesondere Zusammenfassung	1-4	Y	US 2006/0022039 A1 (BECK U.A.) 02 Februar 2006 (02.02.2006), ganze Dokument Bild 2; Abschnitt (0046)	1-4	Y	US 5,260,552 A (COLBERT U.A.) 09 November 1993 (09.11.1993, ganze Dokument insbesondere Bilder 1, 6, 7	1-4	Y	US 6,719285 B2 (TAN) 13 April 2004 (13.04.2004), Zusammenfassung; Bild 1	1-4
Kategorie*	Bezeichnung der Veröffentlichung, soweit erforderlich unter Angabe der in Betracht kommenden Teile	Betr. Anspruch Nr.																														
Y	US 2006/0142058 A1 (ELIAS U. A) 29 Juni 2006 (29.06.2006), ganze Dokument insbesondere Zusammenfassung; Figuren 1A, 1E; Abschnitt (0022)	1-4																														
Y	US 3,849,631 A (MERLINO U.A.) 19 November 1964 (19.11.1964), ganze Dokument insbesondere Figur 1; Spalte 5, Ins 24-34	1-4																														
Y	US 3,527,406 A (SNELLMAN) 08 September 1970 (08.09.1970), ganze Dokument insbesondere Spalte 1, Ins 57-6; Spalte 2, In 52-Spalte3, In 8	1-4																														
Y	US 6,655,590 B1 (MCFEELY U.A.) 02 Dezember 2003 (02.12.2003, ganze Dokument insbesondere Bild 33; Spalte 1, Ins 39-40; spalte 15, Ins 22-38	3-4																														
Y	US 4,301,361 A (LEES) 17 November 1981 (17.11.1981), ganze Dokument insbesondere Zusammenfassung; Bild2	3-4																														
Y	US 5,368,147 A (MENKE U.A.) 29 November 1994 (29.11.1994), ganze Dokument insbesondere Zusammenfassung	1-4																														
Y	US 2006/0022039 A1 (BECK U.A.) 02 Februar 2006 (02.02.2006), ganze Dokument Bild 2; Abschnitt (0046)	1-4																														
Y	US 5,260,552 A (COLBERT U.A.) 09 November 1993 (09.11.1993, ganze Dokument insbesondere Bilder 1, 6, 7	1-4																														
Y	US 6,719285 B2 (TAN) 13 April 2004 (13.04.2004), Zusammenfassung; Bild 1	1-4																														
<p><input checked="" type="checkbox"/> Weitere Veröffentlichungen sind der Fortsetzung von Feld C zu entnehmen <input type="checkbox"/> Siehe Anhang Patentfamilie</p>																																
<p>* Besondere Kategorien von angegebenen Veröffentlichungen: „A“ Veröffentlichung, die den allgemeinen Stand der Technik definiert, aber nicht als besonders bedeutsam anzusehen ist „E“ frühere Anmeldung oder Patent, die bzw. das jedoch erst am oder nach dem internationalen Anmeldedatum veröffentlicht worden ist „L“ Veröffentlichung, die geeignet ist, einen Prioritätsanspruch zweifelhaft erscheinen zu lassen, durch die das Veröffentlichungsdatum einer anderen im Recherchenbericht genannten Veröffentlichung belegt werden soll oder die aus einem anderen besonderen Grund angegeben ist (wie ausgeführt) „O“ Veröffentlichung, die sich auf eine mündliche Offenbarung, eine Benutzung, eine Ausstellung oder andere Maßnahmen bezieht „P“ Veröffentlichung, die vor dem internationalen Anmeldedatum, aber nach dem beanspruchten Prioritätsdatum veröffentlicht worden ist „T“ Spätere Veröffentlichung, die nach dem internationalen Anmeldedatum oder dem Prioritätsdatum veröffentlicht worden ist und mit der Anmeldung nicht kollidiert, sondern nur zum Verständnis des der Erfindung zugrunde liegenden Prinzips oder der ihr zugrunde liegenden Theorie angegeben ist „X“ Veröffentlichung von besonderer Bedeutung; die beanspruchte Erfindung kann allein aufgrund dieser Veröffentlichung nicht als neu oder auf erfinderischer Tätigkeit beruhend betrachtet werden „Y“ Veröffentlichung von besonderer Bedeutung; die beanspruchte Erfindung kann nicht als auf erfinderischer Tätigkeit beruhend betrachtet werden, wenn die Veröffentlichung mit einer oder mehreren Veröffentlichungen dieser Kategorie in Verbindung gebracht wird und diese Verbindung für einen Fachmann naheliegend ist „&“ Veröffentlichung, die Mitglied derselben Patentfamilie ist</p>																																
<p>Datum des tatsächlichen Abschlusses der internationalen Recherche 22 Januar 2011 (22.01.2011)</p>		<p>Absendedatum des internationalen Recherchenberichts 14 FEB 2011</p>																														
<p>Name und Postanschrift der Internationalen Recherchenbehörde Mail Stop PCT, Attn: ISA/US, Commissioner for Patents P.O. Box 1450, Alexandria, Virginia 22313-1450 Fax: Facsimile No. 571-273-3201</p>		<p>Bevollmächtigter Bediensteter Lee W. Young PCT Helpdesk: 571-272-4300 PCT OSP: 571-272-7774</p>																														

C. (Fortsetzung) ALS WESENTLICH ANGESEHENE UNTERLAGEN		
Kategorie*	Bezeichnung der Veröffentlichung, soweit erforderlich unter Angabe der in Betracht kommenden Teile	Betr. Anspruch Nr.
Y	AKSEL U.A , Magnetic-Card Operated Auto-Park Barrier System Supported by Micro-Controller Based Infrared Module, Article [online], 25 September 2006 (25 09 2006)	1-4
Y	[retrieved on 30 January 2011 (30 01 2011)] Retrieved from the Internet <URL http //web archive org/web/20060925114018/http //faraday ee emu edu tr/eaince/emo_article p	1-4
Y	df> Seite 1-2, Bild 1	3-4
Y	US 6,003,008 (POSTREL et al) 14 Dezember 1999 (14 12 1999), ganze Dokument	
Y	insbesondere Zusammenfassung, Bilder 2, 4	1-4
	US 6,073,838 A (BAITZ U.A.) 13 Juni 2000 (13.06.2000), ganze Dokument	
	insbesondere Zusammenfassung, Bild 3	1-4
A	US 2005/0111895 A1 (BOWEN et al) 26 May 2005 (26052005), entire document especially	1-4
A	Bilder 1-2	
A	US 2004/0173679 A1 (OKI er al) 09 September 2004 (0909 2004), ganze Dokument	1-4
A	US 2005/0224583 A1 (TAMBURRINI U.A.) 13 Oktober 2005 (13.10.2005), ganze Dokument	1-4
A	US 2005/0035198 A1 (WILENSKY) 17 Februar 2005 (17.02.2005), ganze Dokument	1-4
A	US 6,076,731 A (TERRELL) 20 Jun 2000 (20.06.2000), ganze Dokument	1-4
A	US 5,434,402 A (BIANCO) 18 Juli 1995 (18.07.1995), ganze Dokument	
A	US 5,079,412 A (SUGIYAMA) 07 Januar 1992 (07.01.1992),ganze Dokument	
A	US 4,923,154 A (KONKEL) 08 Mai 1990 (08.05.1990) ganze Dokument	

Feld Nr. II Bemerkungen zu den Ansprüchen, die sich als nicht recherchierbar erwiesen haben (Fortsetzung von Punkt 2 auf Blatt 1)

Gemäß Artikel 17 (2) a) wurde aus folgenden Gründen für bestimmte Ansprüche kein internationaler Recherchenbericht erstellt:

1. Ansprüche Nr.
weil sie sich auf Gegenstände beziehen, zu deren Recherche diese Behörde nicht verpflichtet ist, nämlich

2. Ansprüche Nr.
weil sie sich auf Teile der internationalen Anmeldung beziehen, die den vorgeschriebenen Anforderungen so wenig entsprechen, dass eine sinnvolle internationale Recherche nicht durchgeführt werden kann, nämlich

3. Ansprüche Nr.
weil es sich dabei um abhängige Ansprüche handelt, die nicht entsprechend Satz 2 und 3 der Regel 6.4 a) abgefasst sind.

Feld Nr. III Bemerkungen bei mangelnder Einheitlichkeit der Erfindung (Fortsetzung von Punkt 3 auf Blatt 1)

Diese Internationale Recherchenbehörde hat festgestellt, dass diese internationale Anmeldung mehrere Erfindungen enthält:

1. Da der Anmelder alle erforderlichen zusätzlichen Recherchegebühren rechtzeitig entrichtet hat, erstreckt sich dieser internationale Recherchenbericht auf alle recherchierbaren Ansprüche.
2. Da für alle recherchierbaren Ansprüche die Recherche ohne einen Arbeitsaufwand durchgeführt werden konnte, der zusätzliche Recherchegebühren gerechtfertigt hätte, hat die Behörde nicht zur Zahlung solcher Gebühren aufgefordert.
3. Da der Anmelder nur einige der erforderlichen zusätzlichen Recherchegebühren rechtzeitig entrichtet hat, erstreckt sich dieser internationale Recherchenbericht nur auf die Ansprüche, für die Gebühren entrichtet worden sind, nämlich auf die Ansprüche Nr.
4. Der Anmelder hat die erforderlichen zusätzlichen Recherchegebühren nicht rechtzeitig entrichtet. Dieser internationale Recherchenbericht beschränkt sich daher auf die in den Ansprüchen zuerst erwähnte Erfindung; diese ist in folgenden Ansprüchen erfasst:

Bemerkungen hinsichtlich eines Widerspruchs

- Der Anmelder hat die zusätzlichen Recherchegebühren unter Widerspruch entrichtet und die gegebenenfalls erforderliche Widerspruchsgebühr gezahlt.
- Die zusätzlichen Recherchegebühren wurden vom Anmelder unter Widerspruch gezahlt, jedoch wurde die entsprechende Widerspruchsgebühr nicht innerhalb der in der Aufforderung angegebenen Frist entrichtet.
- Die Zahlung der zusätzlichen Recherchegebühren erfolgte ohne Widerspruch.