



US00D808023S

(12) **United States Design Patent**  
**Farris et al.**

(10) **Patent No.:** **US D808,023 S**  
(45) **Date of Patent:** **\*\* Jan. 16, 2018**

(54) **MOVEMENT ASSISTANCE DEVICE—HIP COMPONENT**

5,472,401 A 12/1995 Rouillard  
5,980,435 A \* 11/1999 Joutras ..... A43B 1/0054  
482/114  
6,331,152 B1 \* 12/2001 Holle ..... A47C 3/02  
434/55

(71) Applicant: **Parker-Hannifin Corporation**,  
Cleveland, OH (US)

(Continued)

(72) Inventors: **Ryan Farris**, Hartville, OH (US); **Mike Clausen**, Turlock, CA (US); **Edgar Wilson**, Toledo, OH (US)

*Primary Examiner* — Michael A. Pratt  
*Assistant Examiner* — Michelle E. Wilson  
(74) *Attorney, Agent, or Firm* — Renner, Otto, Boisselle & Sklar, LLP

(73) Assignee: **Parker-Hannifin Corporation**,  
Cleveland, OH (US)

(\*\*) Term: **15 Years**

(57) **CLAIM**

The ornamental design for a movement assistance device—hip component, as shown and described.

(21) Appl. No.: **29/584,606**

**DESCRIPTION**

(22) Filed: **Nov. 16, 2016**

**Related U.S. Application Data**

(62) Division of application No. 29/486,534, filed on Mar. 31, 2014, now Pat. No. Des. 774,198.

FIG. 1 is a front perspective view of a movement assistance device—hip component showing my design. FIG. 2 is left side view thereof, the right side view being a mirror image thereof. FIG. 3 is rear view thereof. FIG. 4 is a front view thereof. FIG. 5 is a top view thereof. FIG. 6 is a bottom view thereof. FIG. 7 is a front perspective view thereof, with the adjustment wings removed. FIG. 8 is a front view thereof. FIG. 9 is rear view thereof. FIG. 10 is a left side view thereof, the right side view being a mirror image thereof. FIG. 11 is a top view thereof; and, FIG. 12 is a bottom view thereof.

(51) **LOC (11) Cl.** ..... **24-04**

(52) **U.S. Cl.**  
USPC ..... **D24/188**

(58) **Field of Classification Search**  
USPC ..... D24/183, 188, 190  
CPC ..... A61H 33/0087; A61H 33/0095; A61H 2033/0016; A63B 22/02  
See application file for complete search history.

It is understood that the appearance of any part of the article not shown in the drawing or described in the specification forms no part of the claimed design.

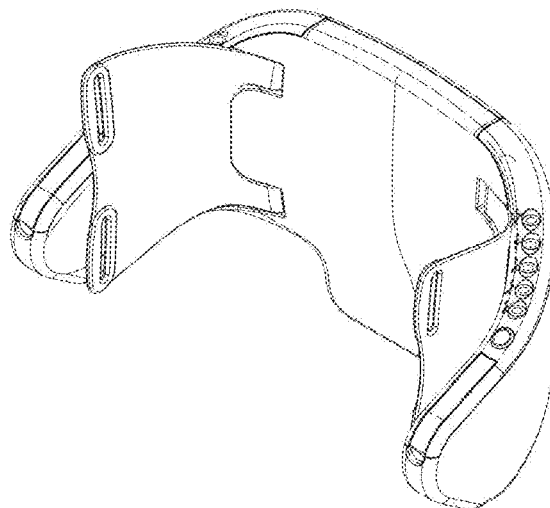
The broken lines shown in the figures represent portions of the movement assistance device—hip component that form no part of the claimed design.

(56) **References Cited**

**U.S. PATENT DOCUMENTS**

- 3,491,385 A 1/1970 Werner
- 3,672,361 A 6/1972 Fourneron
- 4,102,336 A 7/1978 Wiener
- 4,817,588 A \* 4/1989 Bledsoe ..... A61F 5/0125  
602/16
- 4,915,101 A 4/1990 Cuccia
- 5,282,834 A 2/1994 Remy
- D346,028 S \* 4/1994 Lengyel ..... D24/190

**1 Claim, 7 Drawing Sheets**





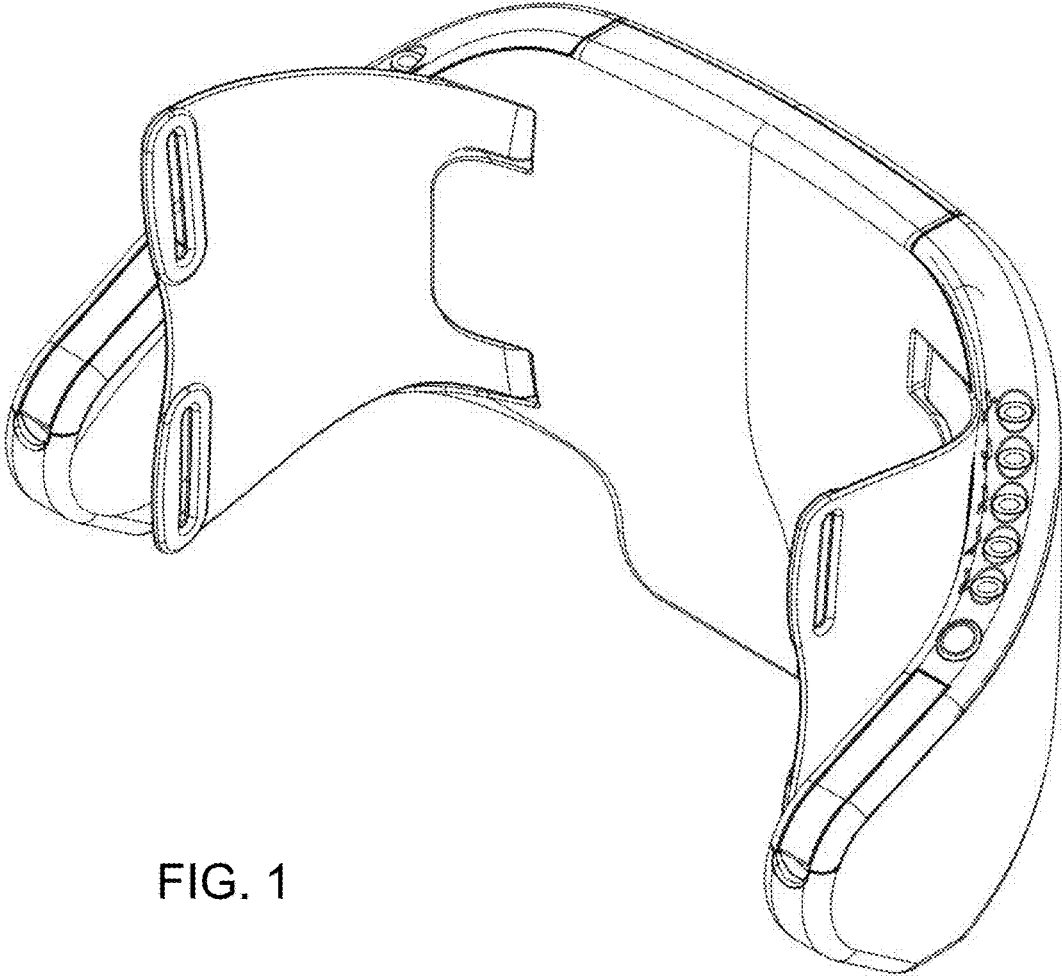


FIG. 1

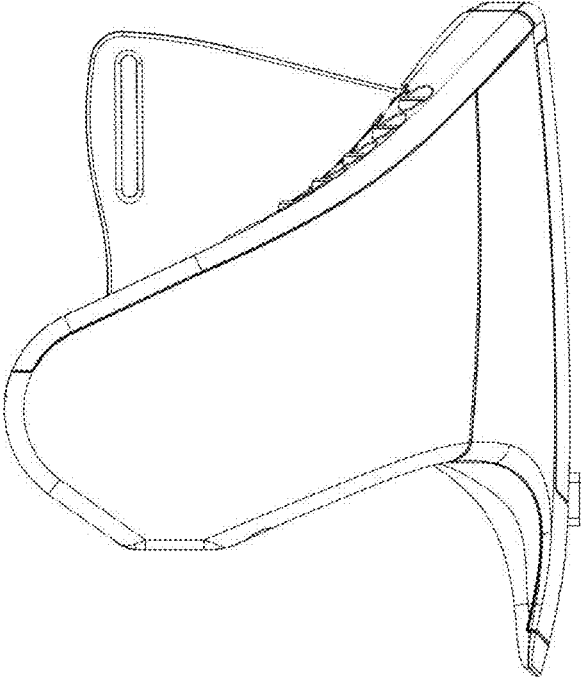


FIG. 2

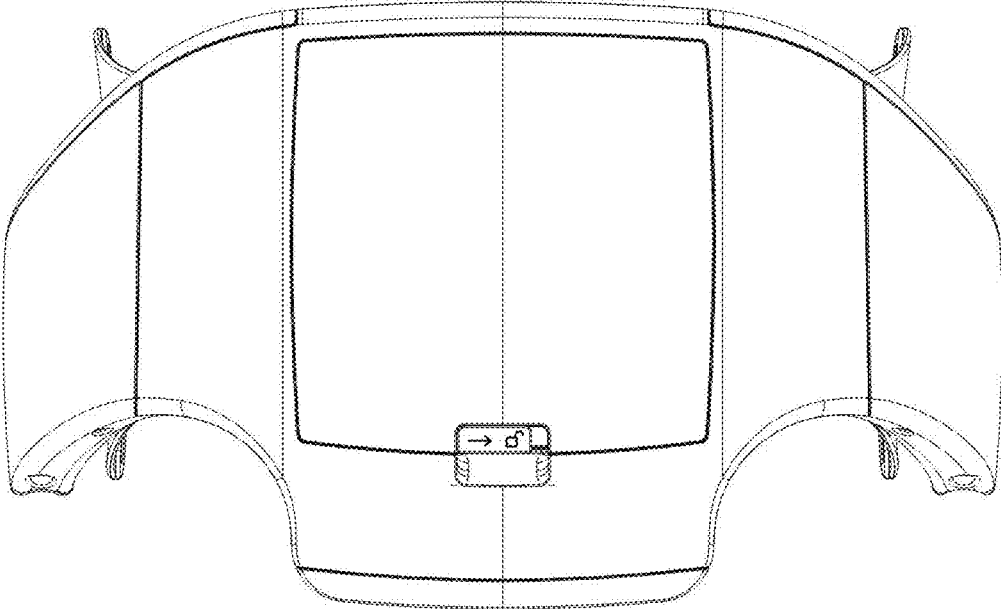


FIG. 3

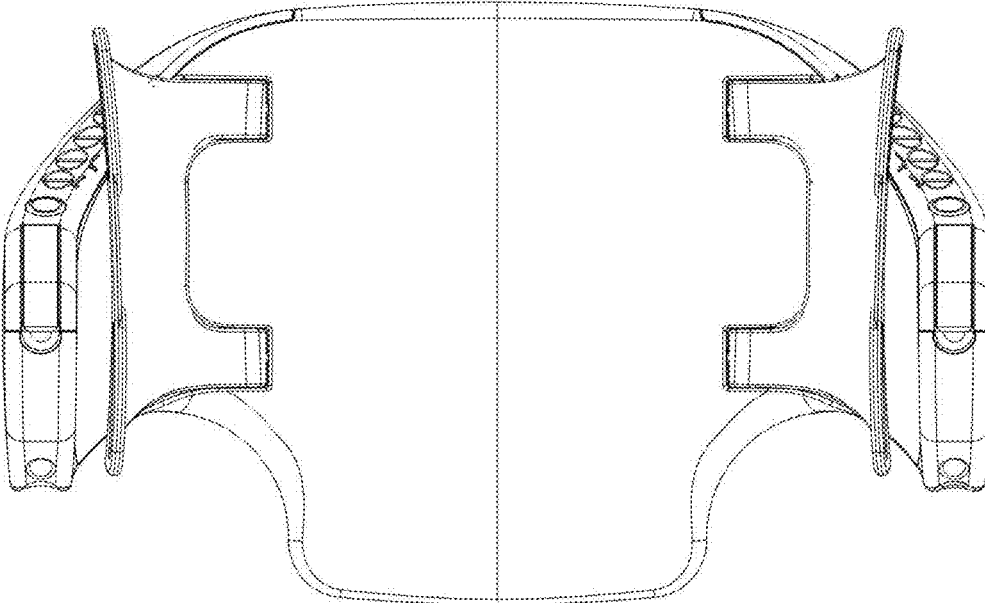


FIG. 4

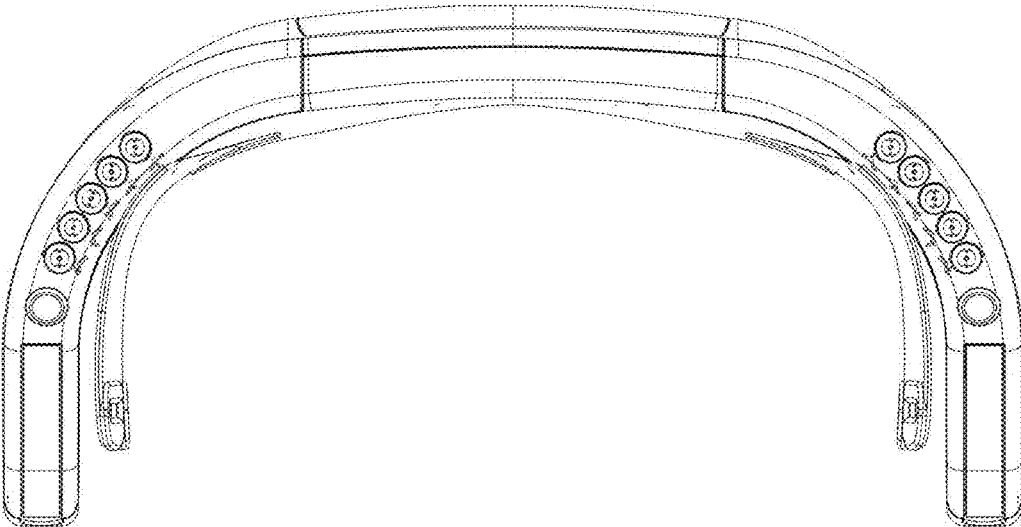


FIG. 5

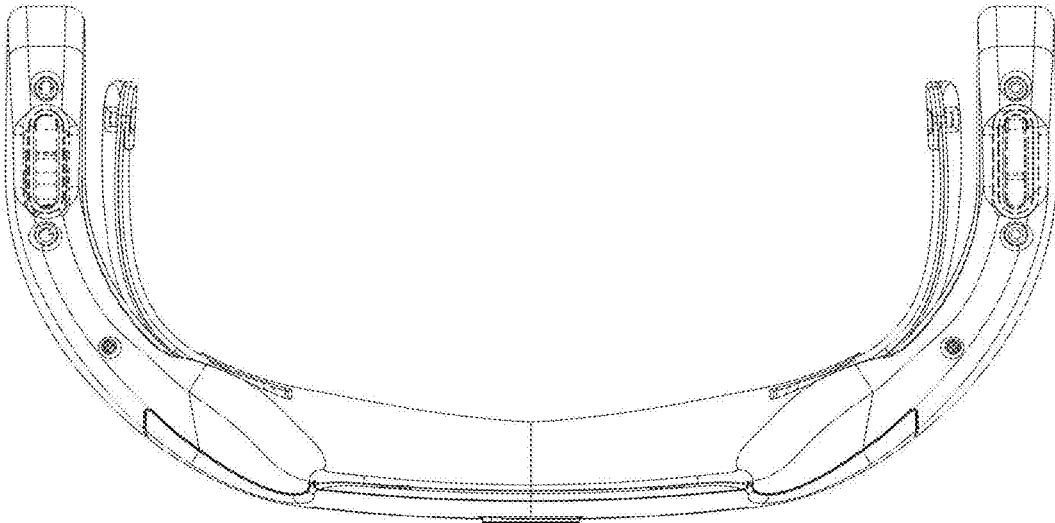


FIG. 6

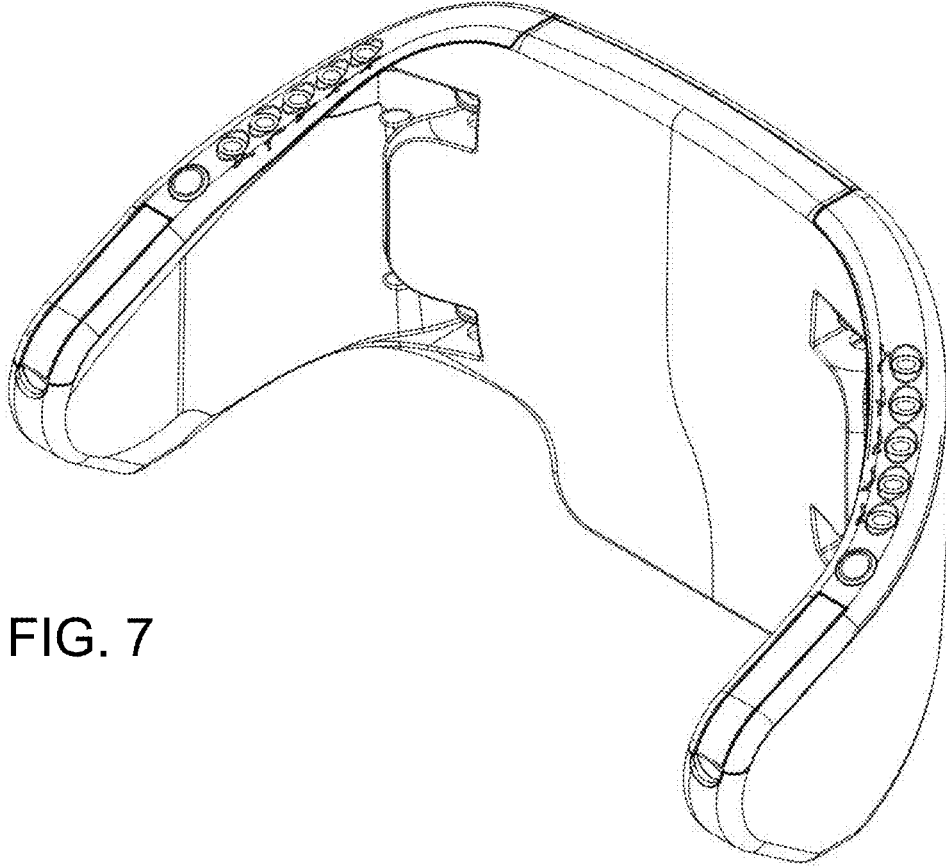


FIG. 7

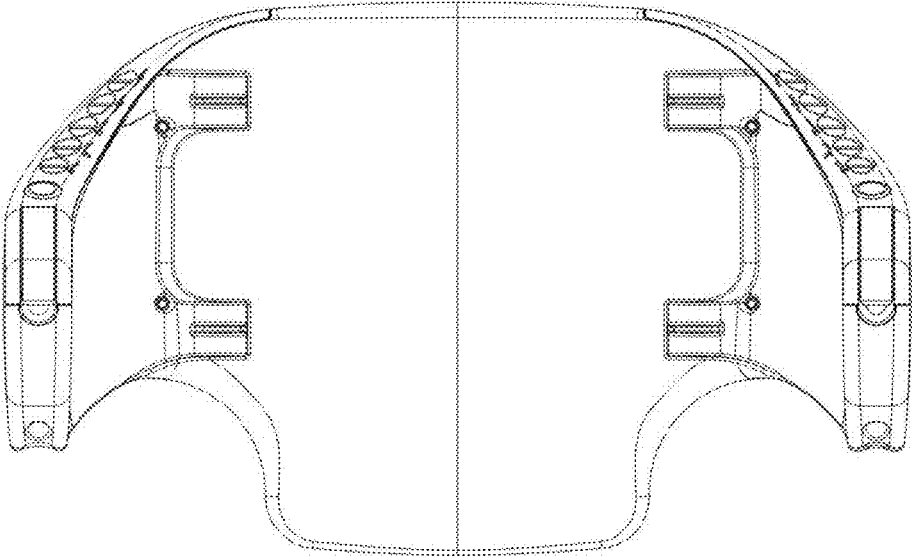


FIG. 8

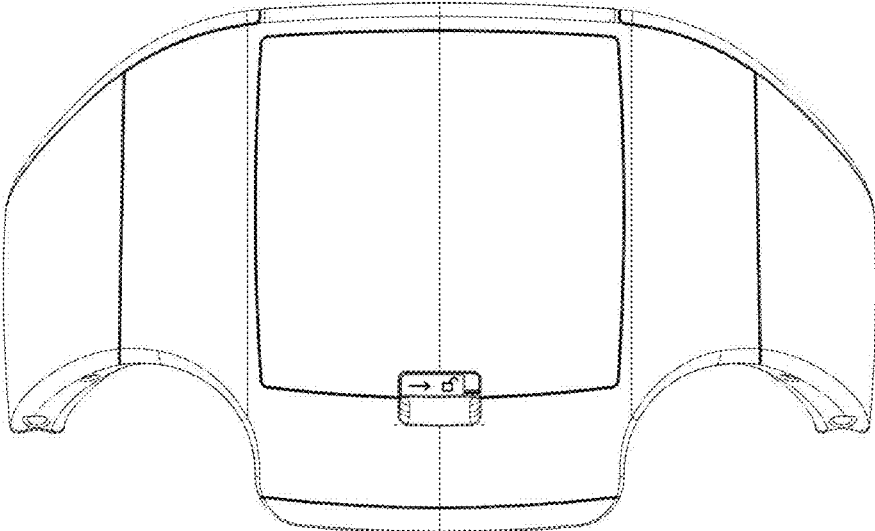


FIG. 9

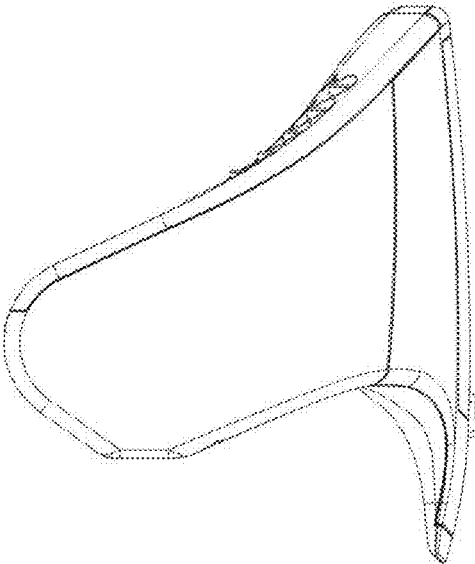


FIG. 10

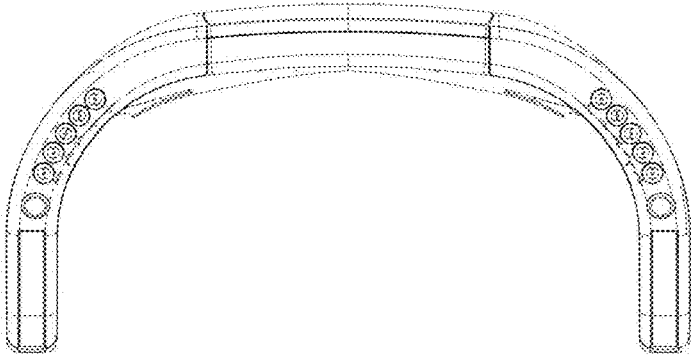


FIG. 11

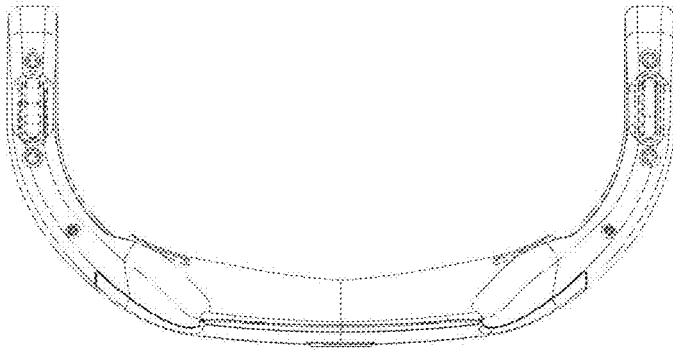


FIG. 12