



- (51) International Patent Classification:
A47J 31/56 (2006.01)
- (21) International Application Number:
PCT/US2012/030304
- (22) International Filing Date:
23 March 2012 (23.03.2012)
- (25) Filing Language: English
- (26) Publication Language: English
- (30) Priority Data:
61/467,810 25 March 2011 (25.03.2011) US
13/424,662 20 March 2012 (20.03.2012) US
- (71) Applicant (for all designated States except US): **BE INTELLECTUAL PROPERTY, INC.** [US/US]; 1400 Corporate Center Way, Wellington, Florida 33414 (US).
- (72) Inventors; and
- (75) Inventors/Applicants (for US only): **KELLY, Luke** [US/US]; 1780 157th Street, Bonner Springs, Kansas 66012 (US). **FLIESS, Winston** [US/US]; 12332 S. Alberman Street, Olathe, Kansas 66062 (US).
- (74) Agent: **JAMES W. PAUL; FULWIDER PATTON LLP**, 6060 Center Drive, Tenth Floor, Los Angeles, California 90045 (US).

(81) Designated States (unless otherwise indicated, for every kind of national protection available): AE, AG, AL, AM, AO, AT, AU, AZ, BA, BB, BG, BH, BR, BW, BY, BZ, CA, CH, CL, CN, CO, CR, CU, CZ, DE, DK, DM, DO, DZ, EC, EE, EG, ES, FI, GB, GD, GE, GH, GM, GT, HN, HR, HU, ID, IL, IN, IS, JP, KE, KG, KM, KN, KP, KR, KZ, LA, LC, LK, LR, LS, LT, LU, LY, MA, MD, ME, MG, MK, MN, MW, MX, MY, MZ, NA, NG, NI, NO, NZ, OM, PE, PG, PH, PL, PT, QA, RO, RS, RU, RW, SC, SD, SE, SG, SK, SL, SM, ST, SV, SY, TH, TJ, TM, TN, TR, TT, TZ, UA, UG, US, UZ, VC, VN, ZA, ZM, ZW.

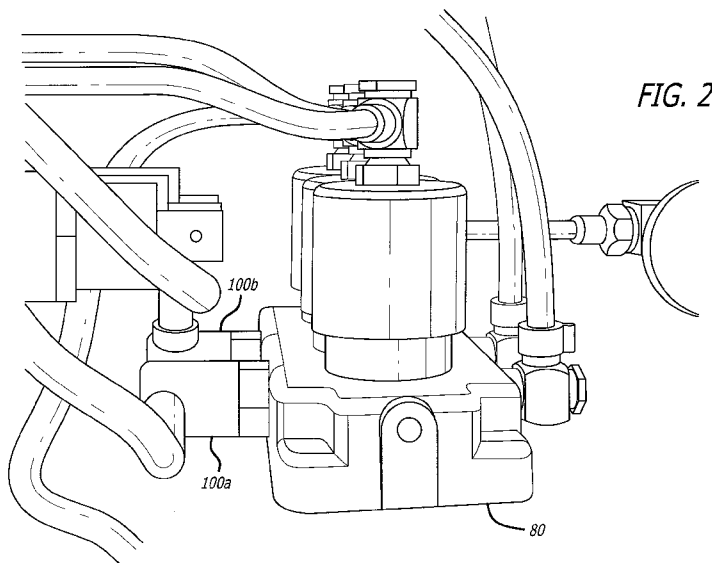
(84) Designated States (unless otherwise indicated, for every kind of regional protection available): ARIPO (BW, GH, GM, KE, LR, LS, MW, MZ, NA, RW, SD, SL, SZ, TZ, UG, ZM, ZW), Eurasian (AM, AZ, BY, KG, KZ, MD, RU, TJ, TM), European (AL, AT, BE, BG, CH, CY, CZ, DE, DK, EE, ES, FI, FR, GB, GR, HR, HU, IE, IS, IT, LT, LU, LV, MC, MK, MT, NL, NO, PL, PT, RO, RS, SE, SI, SK, SM, TR), OAPI (BF, BJ, CF, CG, CI, CM, GA, GN, GQ, GW, ML, MR, NE, SN, TD, TG).

Published:

— with international search report (Art. 21(3))

(88) Date of publication of the international search report:
1 May 2014

(54) Title: PRESSURE RELIEF SYSTEM FOR ESPRESSO MAKER



(57) Abstract: A brewing system for brewing a beverage is disclosed having an inlet for receiving fresh water for brewing, and a first solenoid for directing water to a water storage tank when a level in the water storage tank falls below a predetermined level. A pair of pumps direct water from the storage tank to a second solenoid. Two or more brew paths lead away from the second solenoid, each brew path including a heating element to heat the water flowing therethrough. The second prevents overpressurization in the brew paths by routing excess pressurized water from the respective brew path back through the second solenoid and out a drain line leading to a drain, where the path to the drain is not part of the brew path.



INTERNATIONAL SEARCH REPORT

International application No.

PCT/US2012/030304

| A. CLASSIFICATION OF SUBJECT MATTER IPC(8) - A47J 31/56 (2012.01) USPC - 99/293 According to International Patent Classification (IPC) or to both national classification and IPC | | |
|--|--|---|
| B. FIELDS SEARCHED Minimum documentation searched (classification system followed by classification symbols) IPC(8) - A47J 31/30, 31/56 (2012.01) USPC - 99/281, 293; 126/369; 134/22.12; 141/285; 222/146.2; 426/231 Documentation searched other than minimum documentation to the extent that such documents are included in the fields searched Electronic data base consulted during the international search (name of data base and, where practicable, search terms used) PatBase, Google Patents | | |
| C. DOCUMENTS CONSIDERED TO BE RELEVANT | | |
| Category* | Citation of document, with indication, where appropriate, of the relevant passages | Relevant to claim No. |
| Y | US 2005/0160918 A1 (WINSTANLEY et al) 28 July 2005 (28.07.2005) entire document | 1-10 |
| Y | US 5,393,540 A (BUNN et al) 28 February 1995 (28.02.1995) entire document | 1-10 |
| Y | US 2004/0177760 A1 (EICHER) 16 September 2004 (16.09.2004) entire document | 1-10 |
| A | US 6,701,826 B2 (WU) 09 March 2004 (09.03.2004) entire document | 1-10 |
| A | US 6,161,469 A (ROLLA) 19 December 2000 (19.12.2000) entire document | 1-10 |
| A, P | US 2011/0192287 A1 (RIESSBECK et al) 11 August 2011 (11.08.2011) entire document | 1-10 |
| <input type="checkbox"/> Further documents are listed in the continuation of Box C. <input type="checkbox"/> | | |
| * Special categories of cited documents: "A" document defining the general state of the art which is not considered to be of particular relevance "E" earlier application or patent but published on or after the international filing date "L" document which may throw doubts on priority claim(s) or which is cited to establish the publication date of another citation or other special reason (as specified) "O" document referring to an oral disclosure, use, exhibition or other means "P" document published prior to the international filing date but later than the priority date claimed "T" later document published after the international filing date or priority date and not in conflict with the application but cited to understand the principle or theory underlying the invention "X" document of particular relevance; the claimed invention cannot be considered novel or cannot be considered to involve an inventive step when the document is taken alone "Y" document of particular relevance; the claimed invention cannot be considered to involve an inventive step when the document is combined with one or more other such documents, such combination being obvious to a person skilled in the art "&" document member of the same patent family | | |
| Date of the actual completion of the international search 04 June 2012 | | Date of mailing of the international search report 13 JUN 2012 |
| Name and mailing address of the ISA/US Mail Stop PCT, Attn: ISA/US, Commissioner for Patents P.O. Box 1450, Alexandria, Virginia 22313-1450 Facsimile No. 571-273-3201 | | Authorized officer: Blaine R. Copenheaver PCT Helpdesk: 571-272-4300 PCT OSP: 571-272-7774 |