



US00D650705S

(12) **United States Design Patent**  
**Blank**

(10) **Patent No.:** **US D650,705 S**

(45) **Date of Patent:** **\*\* Dec. 20, 2011**

(54) **WRISTWATCH**

(75) Inventor: **Yves Blank**, Berne (CH)

(73) Assignee: **Rado Uhren AG (Rado Watch Co., Ltd.) (Montres Rado SA)**, Lengnau (CH)

(\*\*) Term: **14 Years**

(21) Appl. No.: **29/398,266**

(22) Filed: **Jul. 28, 2011**

(30) **Foreign Application Priority Data**

Feb. 10, 2011 (WO) ..... DM/075 270

(51) **LOC (9) Cl.** ..... **10-02**

(52) **U.S. Cl.** ..... **D10/32**

(58) **Field of Classification Search** ..... D10/30-39,  
D10/123-126; 368/276, 281, 282, 285, 80,  
368/223, 228, 232; D11/3

See application file for complete search history.

(56) **References Cited**

**U.S. PATENT DOCUMENTS**

D270,243	S	*	8/1983	Porsche	.....	D10/30
5,086,418	A	*	2/1992	Marcus	.....	368/226
5,574,701	A	*	11/1996	Harilela	.....	368/223
5,696,741	A	*	12/1997	Nussbaum	.....	368/281
D413,530	S	*	9/1999	Flury et al.	.....	D10/32
6,366,538	B1	*	4/2002	Anderson et al.	.....	368/10
6,536,941	B1	*	3/2003	Fang	.....	368/281
D537,740	S	*	3/2007	Grosjean	.....	D10/38
D561,049	S	*	2/2008	Figueiredo	.....	D10/38
7,380,979	B2	*	6/2008	Hiranuma et al.	.....	368/282
D581,811	S	*	12/2008	Messmer et al.	.....	D10/32

D583,682	S	*	12/2008	Blank	.....	D10/32
D588,472	S	*	3/2009	Messmer et al.	.....	D10/32
7,682,069	B2	*	3/2010	Hyatt	.....	368/282
D631,373	S	*	1/2011	Mikkelsen	.....	D10/32
D634,651	S	*	3/2011	Jorst et al.	.....	D10/39
D634,652	S	*	3/2011	Jorst et al.	.....	D10/39

\* cited by examiner

*Primary Examiner* — Lucy Lieberman

(74) *Attorney, Agent, or Firm* — Collen IP; Donald J. Ranft

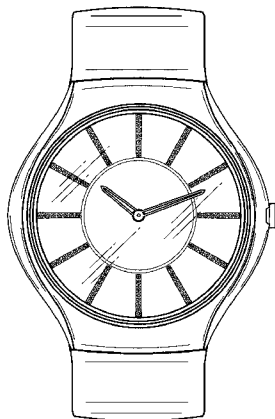
(57) **CLAIM**

The ornamental design for a wristwatch, as shown.

**DESCRIPTION**

FIG. 1 is a front perspective view of the first embodiment of a wristwatch showing my new design;  
 FIG. 2 is a rear perspective view thereof;  
 FIG. 3 is a left side perspective view thereof;  
 FIG. 4 is a front view thereof;  
 FIG. 5 is a rear view thereof;  
 FIG. 6 is a bottom view thereof;  
 FIG. 7 is a top view thereof;  
 FIG. 8 is a left side view thereof;  
 FIG. 9 is a right side view thereof;  
 FIG. 10 is a front perspective view of the second embodiment of a wristwatch showing my new design thereof;  
 FIG. 11 is a rear perspective view thereof;  
 FIG. 12 is a left side perspective view thereof;  
 FIG. 13 is a front view thereof;  
 FIG. 14 is a rear view thereof;  
 FIG. 15 is a bottom view thereof;  
 FIG. 16 is a top view thereof;  
 FIG. 17 is a left side view thereof; and,  
 FIG. 18 is a right side view thereof.

**1 Claim, 10 Drawing Sheets**



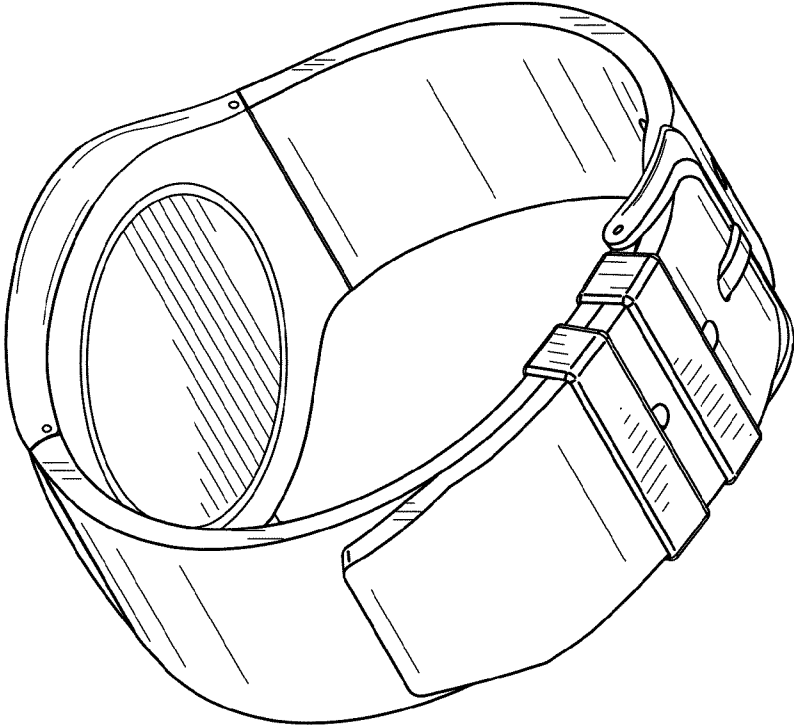


FIG. 2

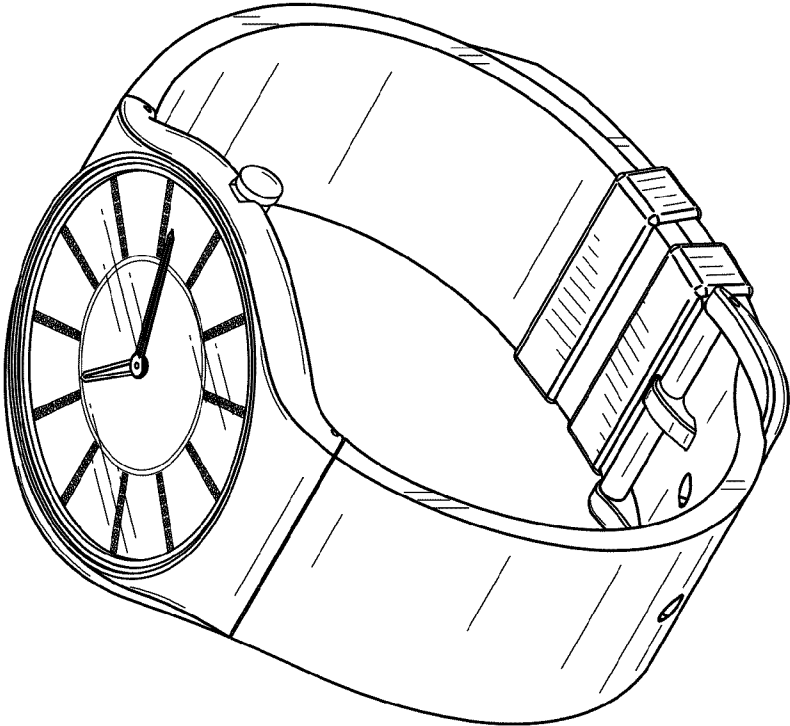


FIG. 1

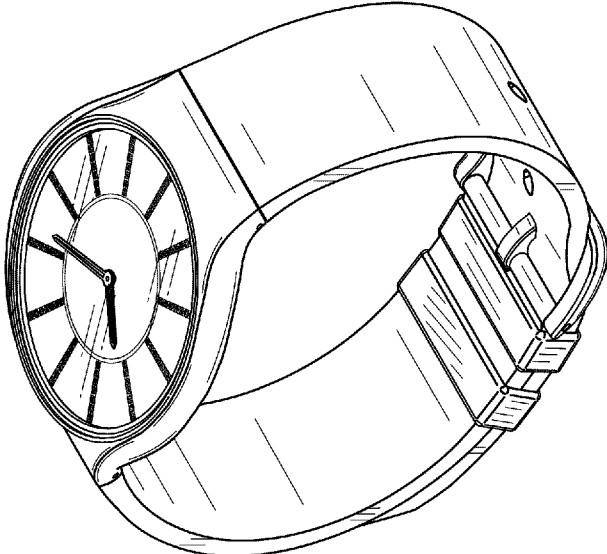


FIG. 3

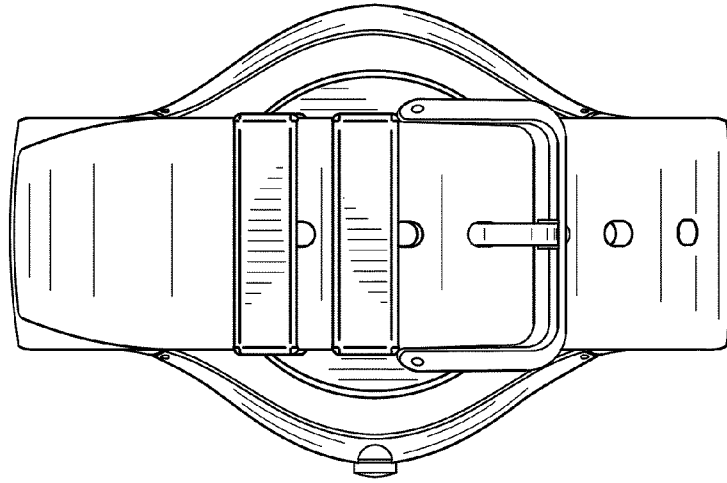


FIG. 5

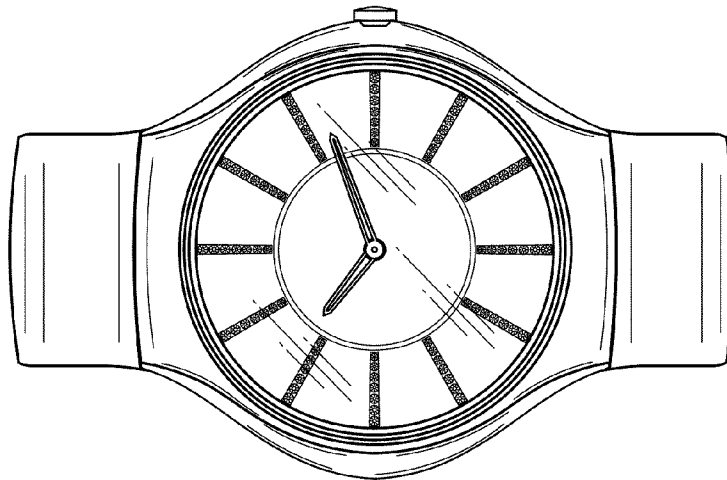


FIG. 4

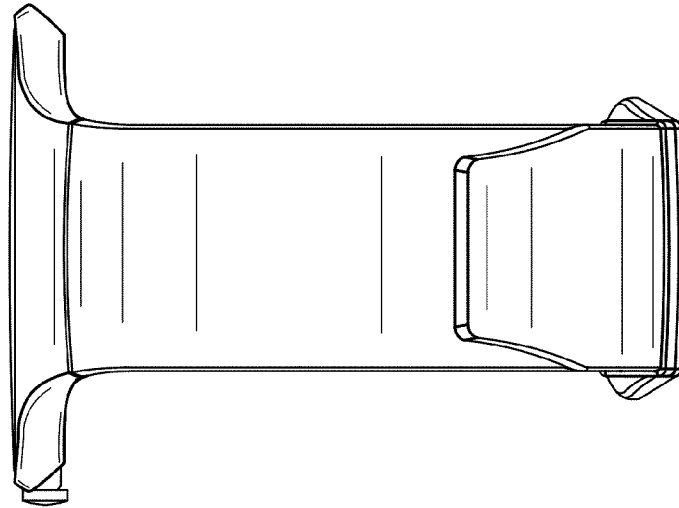


FIG. 7

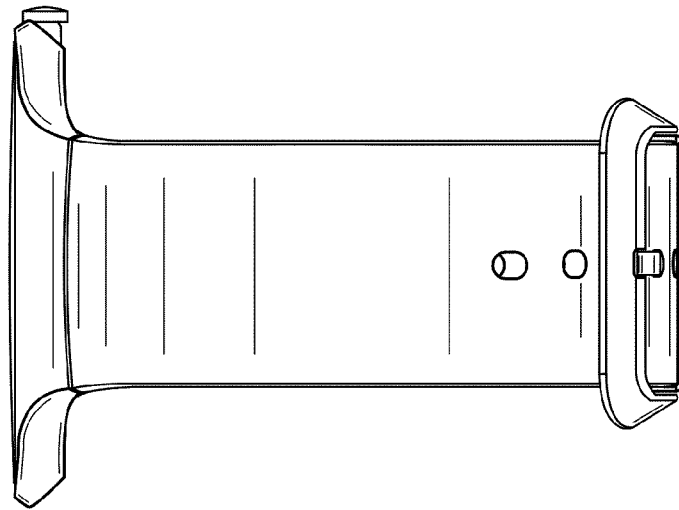


FIG. 6

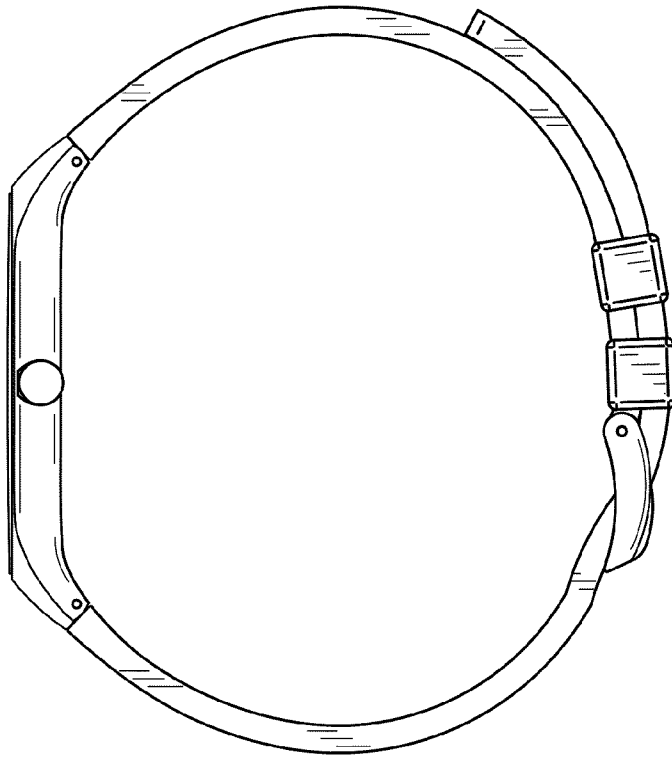


FIG. 9

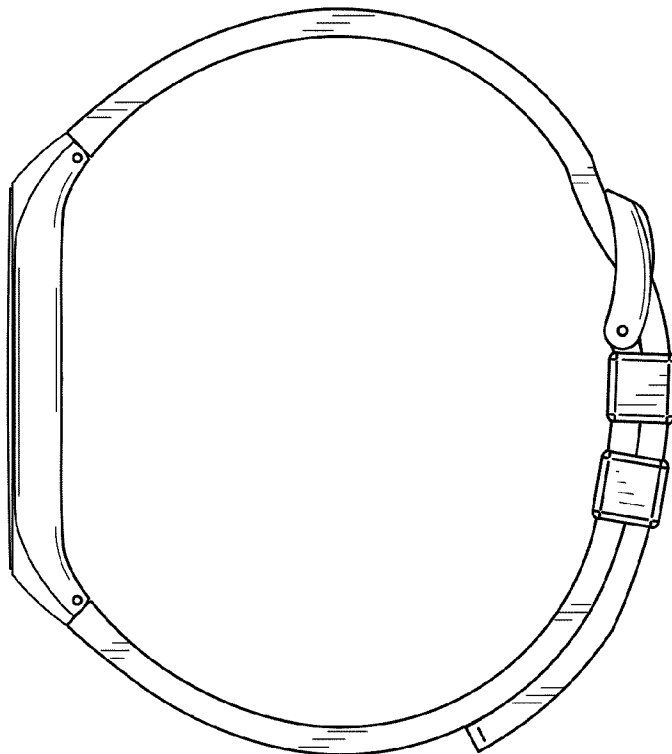


FIG. 8

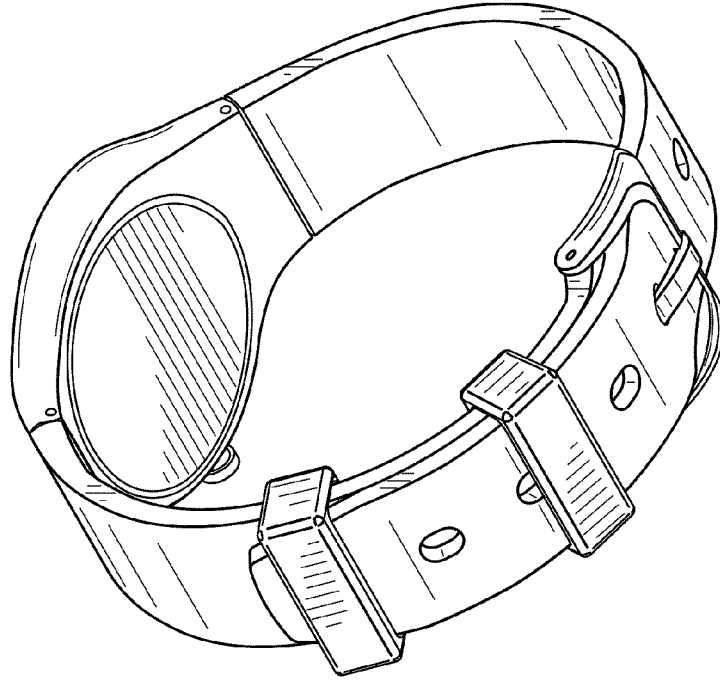


FIG. 11

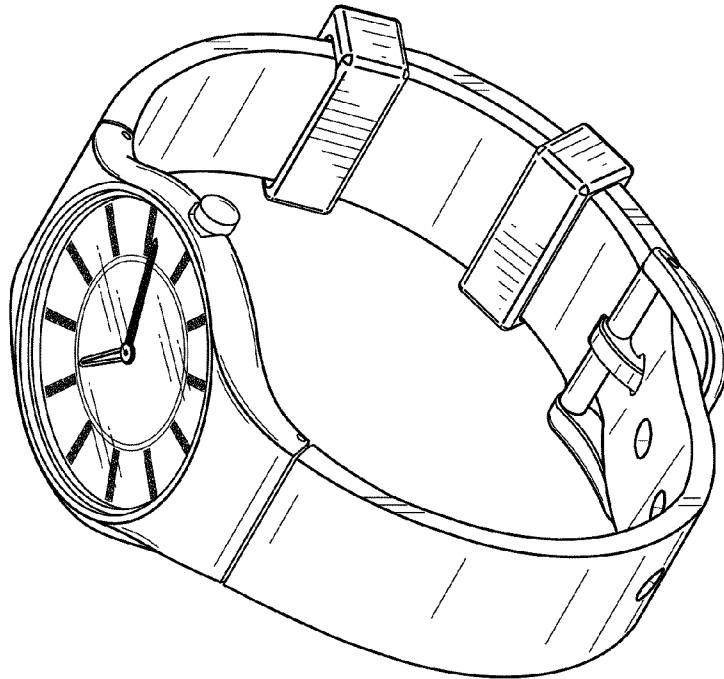


FIG. 10

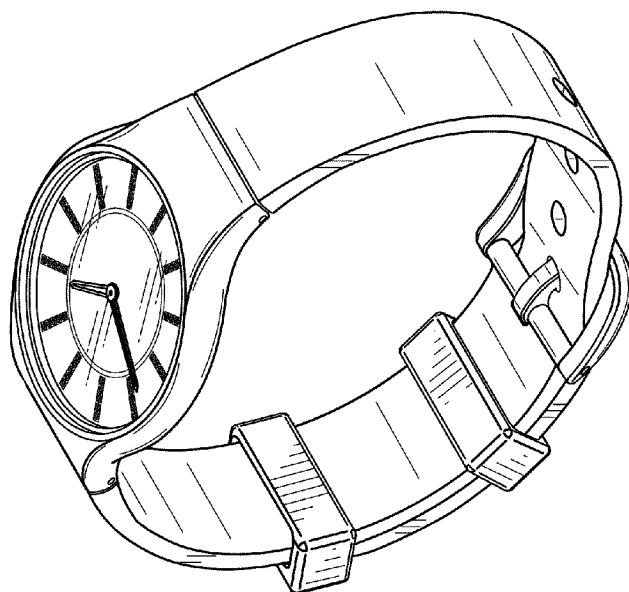


FIG. 12



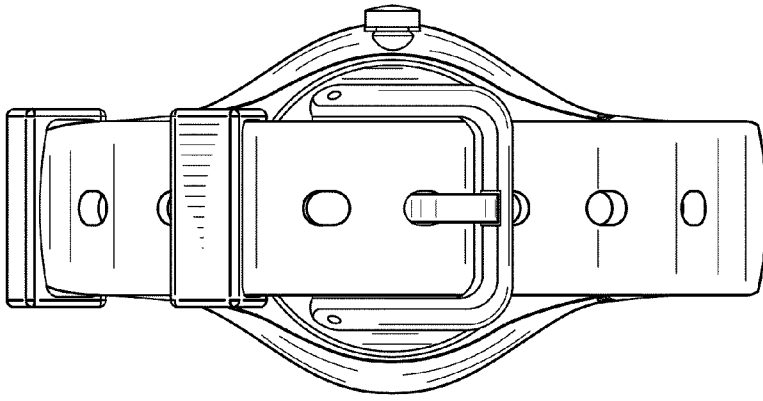


FIG. 14

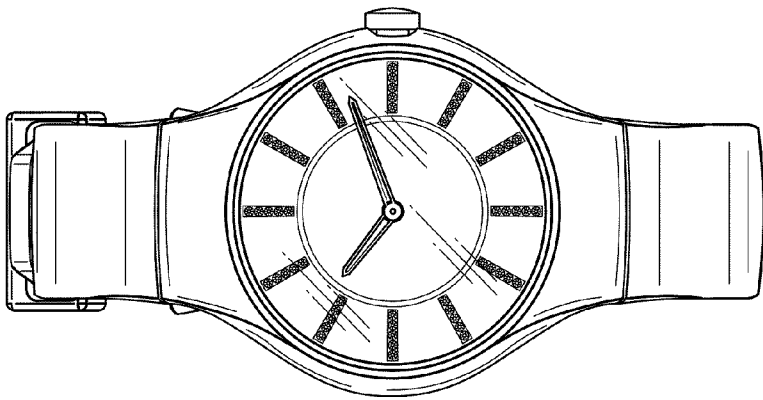


FIG. 13

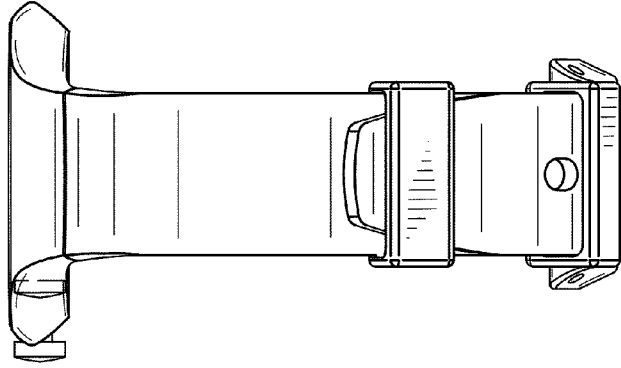


FIG. 16

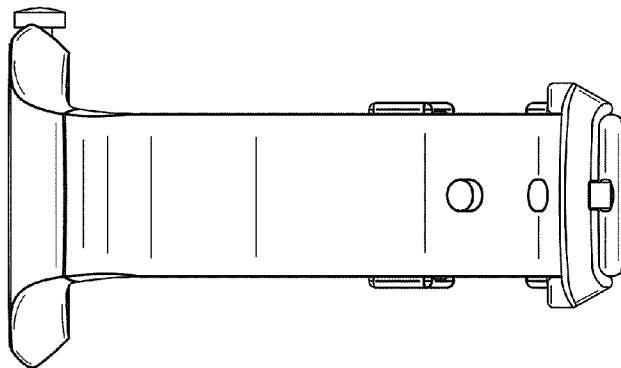


FIG. 15

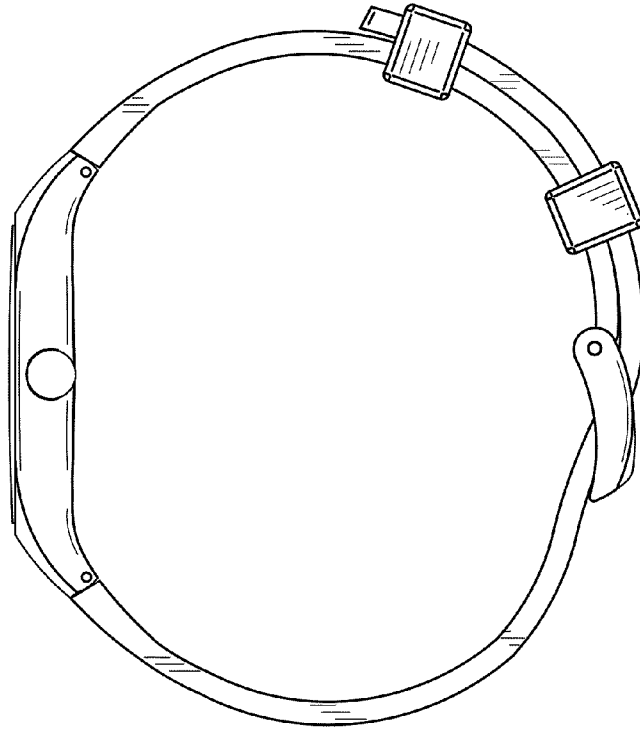


FIG. 18

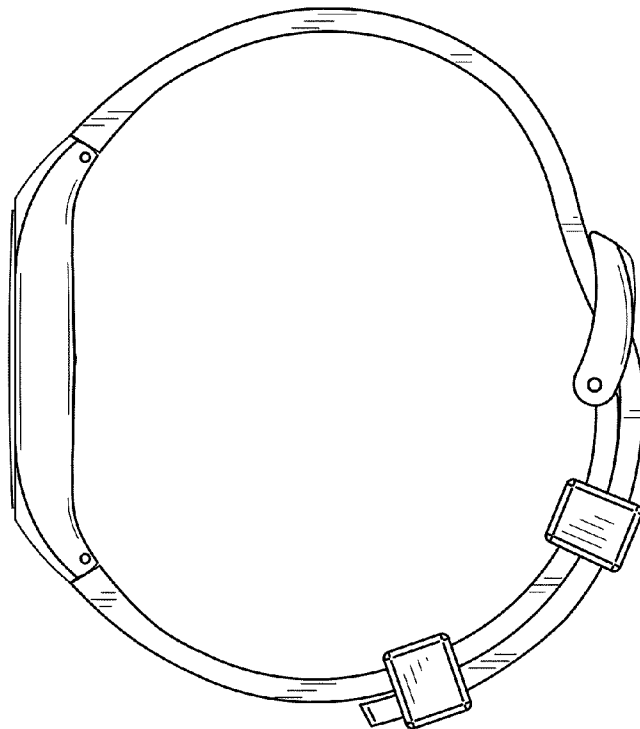


FIG. 17