



US00D780320S

(12) **United States Design Patent**
Ton

(10) **Patent No.:** **US D780,320 S**

(45) **Date of Patent:** **** *Feb. 28, 2017**

- (54) **PEDICURE SPA**
- (71) Applicant: **Alfalfa Nail Supply, Inc.**, Baton Rouge, LA (US)
- (72) Inventor: **Dat Ton**, Baton Rouge, LA (US)
- (73) Assignee: **ALFAFA NAIL SUPPLY, INC.**, Baton Rouge, LA (US)
- (*) Notice: This patent is subject to a terminal disclaimer.
- (**) Term: **14 Years**
- (21) Appl. No.: **29/522,213**
- (22) Filed: **Mar. 27, 2015**
- (51) **LOC (10) Cl.** **24-01**
- (52) **U.S. Cl.**
USPC **D24/204**
- (58) **Field of Classification Search**
USPC D24/200–205, 212–213; D28/56, 61; D6/336; D21/473–474, 483, 519, 523; D23/204; 4/538, 541.1, 541.6, 574.1, 4/579, 619, 621, 622, 627; 601/30–32, 601/64, 157–158; 607/44
CPC . A47K 3/02; A47K 3/06; A47K 3/022; A61H 33/02; A61H 33/60; A61H 33/6005; A61H 33/601; A61H 35/00; A61H 35/006
See application file for complete search history.

D621,945 S *	8/2010	Ton	D24/204
D640,387 S *	6/2011	Tran	D24/204
D645,155 S *	9/2011	Niu	D24/204
D701,967 S *	4/2014	Mai	D24/204
D701,968 S *	4/2014	Le	D24/204
D701,970 S *	4/2014	Le	D24/204
D709,208 S *	7/2014	Ton	D24/204
D714,951 S *	10/2014	Ton	D24/204
D724,855 S *	3/2015	Kim	D6/336
D733,309 S *	6/2015	Ton	D24/203
D742,023 S *	10/2015	Le	D24/204

* cited by examiner

Primary Examiner — Catheri Oliver-Garcia

Assistant Examiner — Rebekah Caruso

(74) *Attorney, Agent, or Firm* — Minh N. Nguyen; Next IP Law Group LLC

(57) **CLAIM**

The ornamental design for a pedicure spa, as shown and described.

DESCRIPTION

FIG. 1 is a perspective view showing the front, right side and top views of my new pedicure spa showing my new design, the perspective view showing the front, left side and top views being a mirror image;

FIG. 2 is a right side elevation view thereof; the left side elevation view being a mirror image;

FIG. 3 is a top plan view thereof;

FIG. 4 is a front elevation view thereof; and,

FIG. 5 is a rear elevation view thereof.

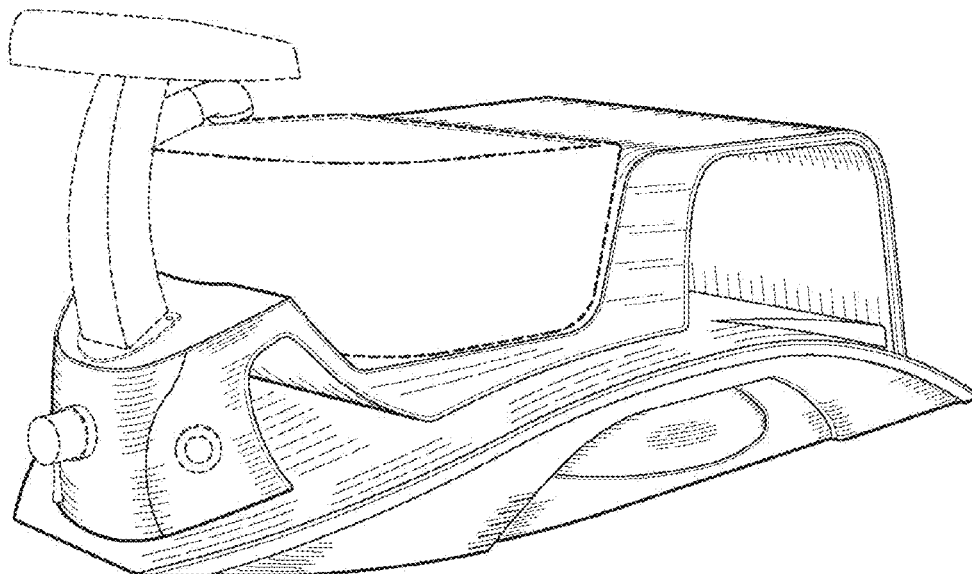
The features shown in broken line depict portions of the article that form no part of the claimed design.

1 Claim, 3 Drawing Sheets

(56) **References Cited**

U.S. PATENT DOCUMENTS

- 7,597,390 B2 * 10/2009 Galati, Jr. A47C 1/04 297/182
- D615,326 S * 5/2010 Tran D6/708.18



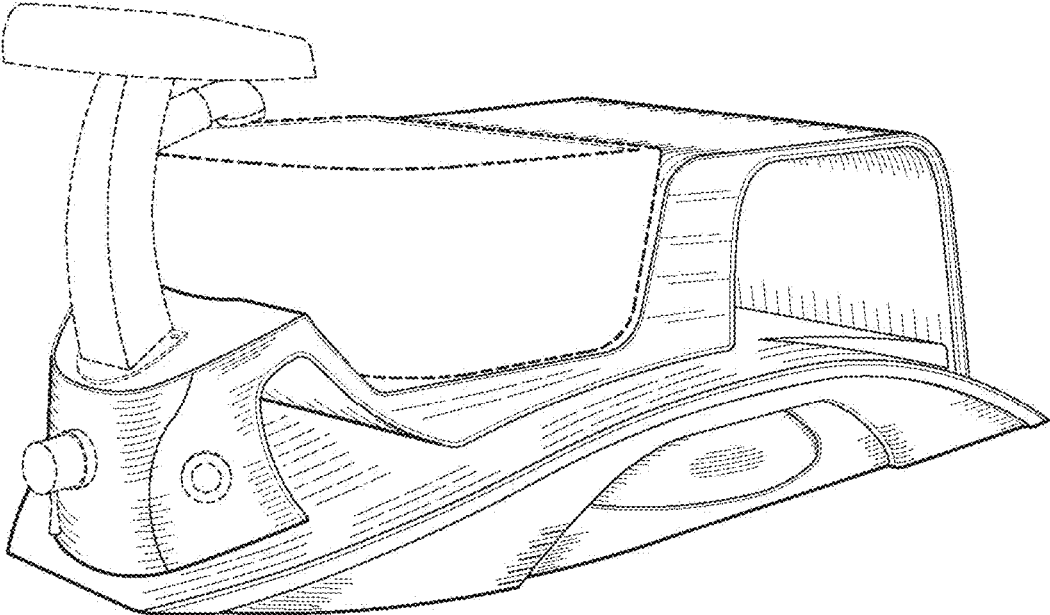


FIG. 1

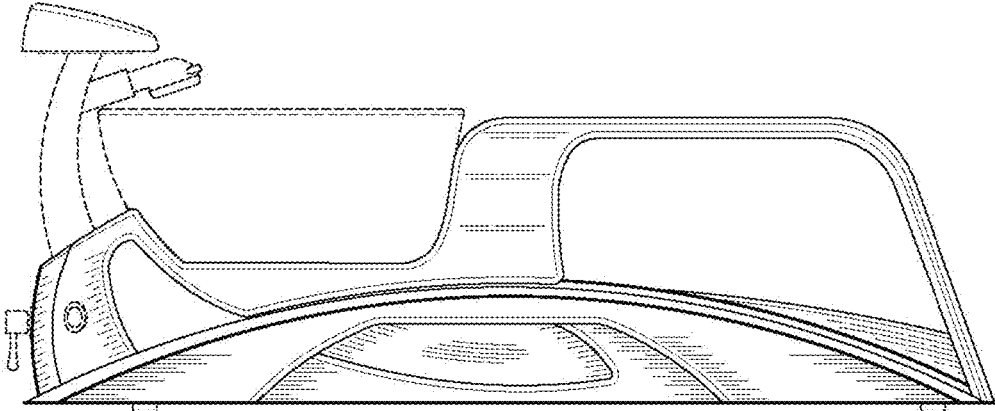


FIG. 2

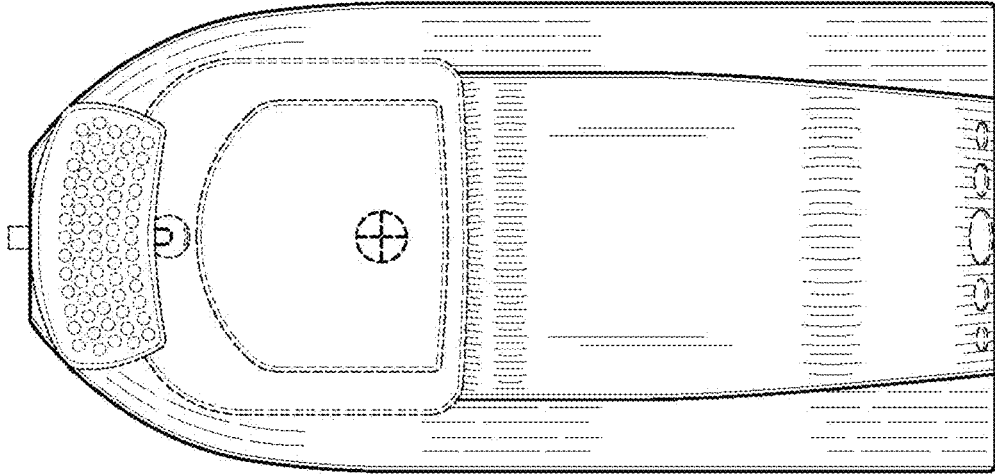


FIG. 3

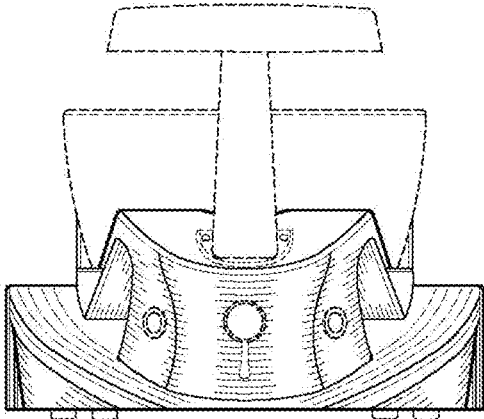


FIG. 4

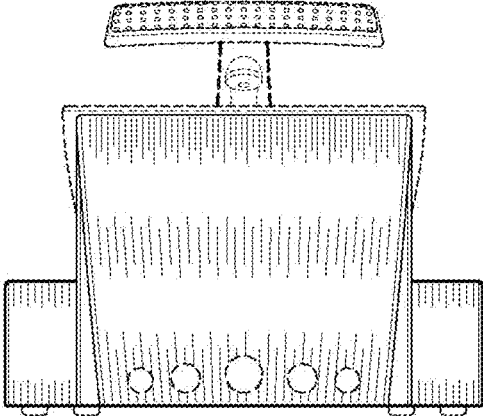


FIG. 5