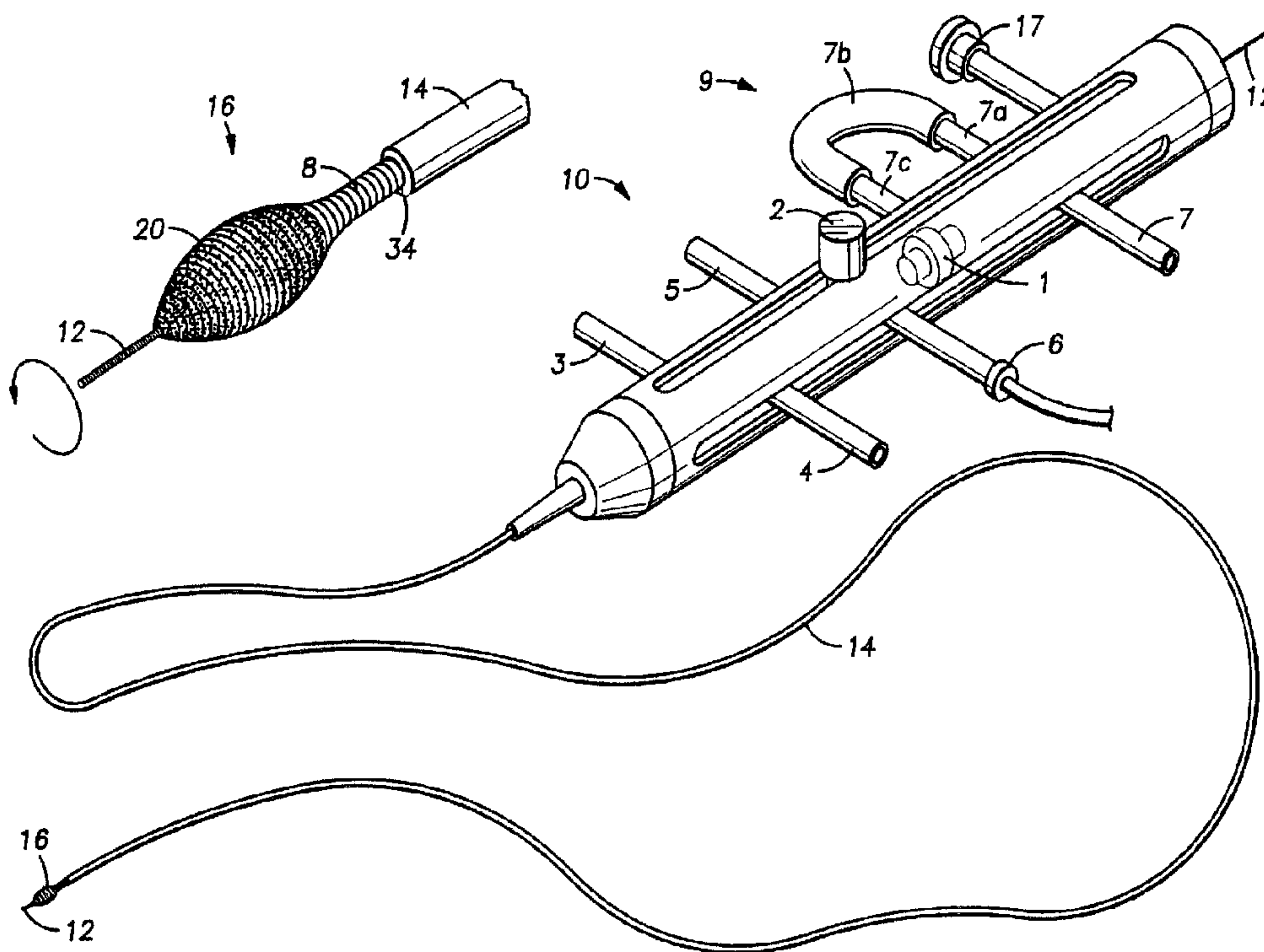




(86) Date de dépôt PCT/PCT Filing Date: 1996/10/18  
 (87) Date publication PCT/PCT Publication Date: 1997/04/24  
 (45) Date de délivrance/Issue Date: 2005/08/16  
 (85) Entrée phase nationale/National Entry: 1998/03/30  
 (86) N° demande PCT/PCT Application No.: US 1996/016724  
 (87) N° publication PCT/PCT Publication No.: 1997/014470  
 (30) Priorités/Priorities: 1995/10/20 (60/005,733) US;  
 1996/10/16 (08/731,602) US

(51) Cl.Int.<sup>6</sup>/Int.Cl.<sup>6</sup> A61M 29/00  
 (72) Inventeur/Inventor:  
 ZACCA, NADIM M., US  
 (73) Propriétaire/Owner:  
 ZACCA, NADIM M., US  
 (74) Agent: DEETH WILLIAMS WALL LLP

(54) Titre : PROCEDE ET APPAREIL D'ATHERECTOMIE, D'ANGIOPLASTIE ET EXTENSEUR  
 (54) Title: ATHERECTOMY, ANGIOPLASTY AND STENT METHOD AND APPARATUS



(57) **Abrégé/Abstract:**

An atherectomy device for treating obstructions in vessels or small openings in the body, comprising a rotatable ablator tip (16) which is guided to the obstruction in a reduced diameter configuration, expanded and rotated to remove the obstruction, and contracted to remove the device from the body. The atherectomy device may be combined with a balloon (240) angioplasty device employing either a fixed or variable diameter rotatable abrasive burr and an angioplasty balloon (240) disposed on the distal end of the catheter (14) proximal to the atherectomy device. The atherectomy device may also be combined with a stent (230) implantation device employing either a fixed or variable diameter rotatable abrasive burr and a stent (230) with balloon catheter disposed on the distal end of its catheter (14) proximal to the atherectomy device.

PCT

WORLD INTELLECTUAL PROPERTY ORGANIZATION  
International Bureau

## INTERNATIONAL APPLICATION PUBLISHED UNDER THE PATENT COOPERATION TREATY (PCT)

(51) International Patent Classification<sup>6</sup> :

A61M 29/00

A1

(11) International Publication Number:

WO 97/14470

(43) International Publication Date:

24 April 1997 (24.04.97)

(21) International Application Number: PCT/US96/16724

(22) International Filing Date: 18 October 1996 (18.10.96)

(30) Priority Data:

60/005,733	20 October 1995 (20.10.95)	US
08/731,602	16 October 1996 (16.10.96)	US

(71)(72) Applicant and Inventor: ZACCA, Nadim, M. [US/US]; 3 Plantation Road, Houston, TX 77024 (US).

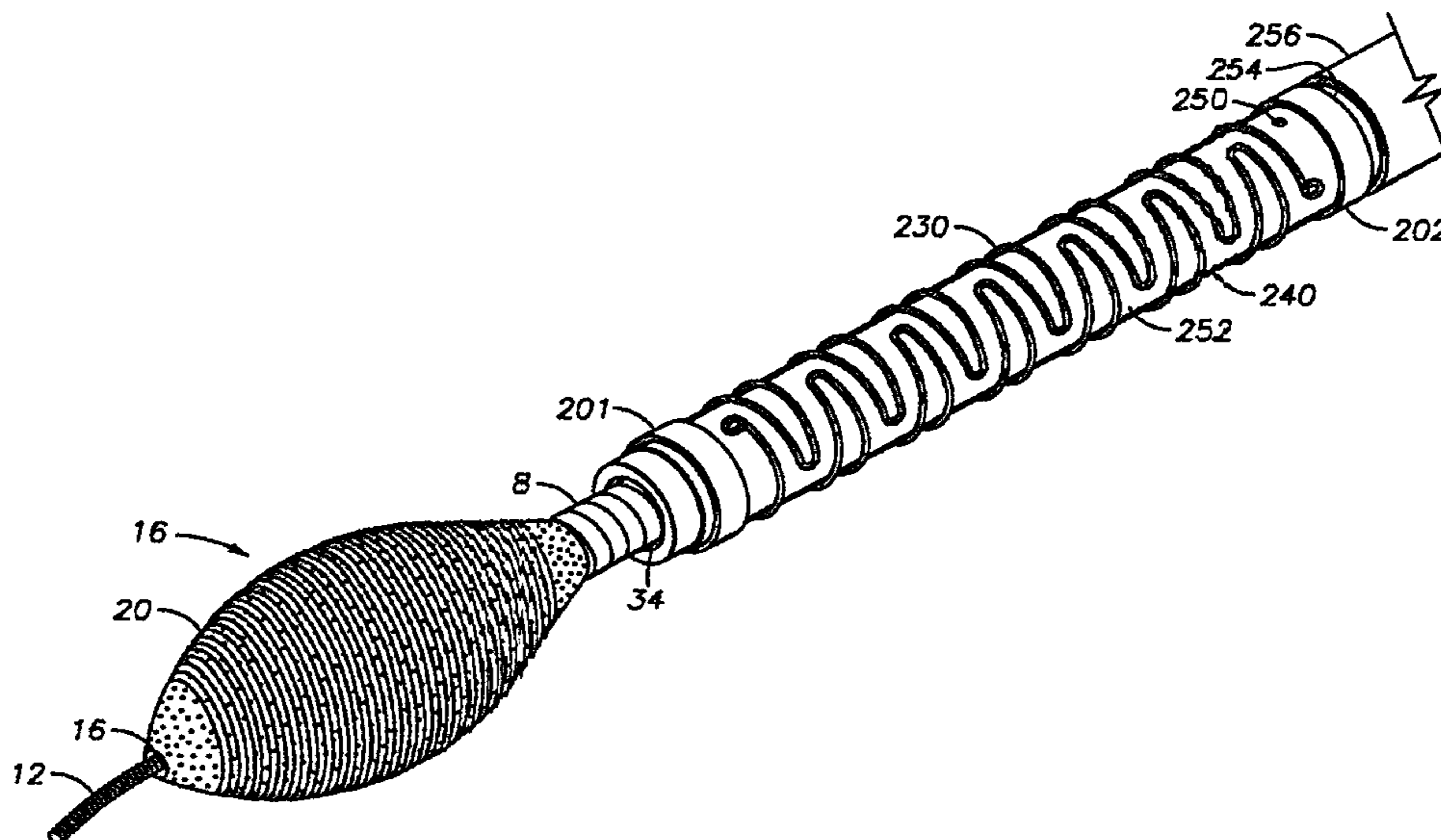
(74) Agents: ROSE, David, A. et al.; Conley, Rose &amp; Tayon, P.C., P.O. Box 3267, Houston, TX 77253-3267 (US).

(81) Designated States: AL, AM, AT, AU, AZ, BA, BB, BG, BR, BY, CA, CH, CN, CU, CZ, DE, DK, EE, ES, FI, GB, GE, HU, IL, IS, JP, KE, KG, KP, KR, KZ, LC, LK, LR, LS, LT, LU, LV, MD, MG, MK, MN, MW, MX, NO, NZ, PL, PT, RO, RU, SD, SE, SG, SI, SK, TJ, TM, TR, TT, UA, UG, UZ, VN, ARIPO patent (KE, LS, MW, SD, SZ, UG), Eurasian patent (AM, AZ, BY, KG, KZ, MD, RU, TJ, TM), European patent (AT, BE, CH, DE, DK, ES, FI, FR, GB, GR, IE, IT, LU, MC, NL, PT, SE), OAPI patent (BF, BJ, CF, CG, CI, CM, GA, GN, ML, MR, NE, SN, TD, TG).

Published

With international search report.

(54) Title: ATHERECTOMY, ANGIOPLASTY AND STENT METHOD AND APPARATUS



(57) Abstract

An atherectomy device for treating obstructions in vessels or small openings in the body, comprising a rotatable ablator tip (16) which is guided to the obstruction in a reduced diameter configuration, expanded and rotated to remove the obstruction, and contracted to remove the device from the body. The atherectomy device may be combined with a balloon (240) angioplasty device employing either a fixed or variable diameter rotatable abrasive burr and an angioplasty balloon (240) disposed on the distal end of the catheter (14) proximal to the atherectomy device. The atherectomy device may also be combined with a stent (230) implantation device employing either a fixed or variable diameter rotatable abrasive burr and a stent (230) with balloon catheter disposed on the distal end of its catheter (14) proximal to the atherectomy device.

## **ATHERECTOMY, ANGIOPLASTY AND STENT METHOD AND APPARATUS**

### **CROSS REFERENCE TO RELATED APPLICATION**

This is an application claiming the benefit of United States Patent No. 5,766,192  
5 filed October 20, 1995 and entitled Atherectomy, Angioplasty and Stent  
Method and Apparatus.

### **BACKGROUND OF THE INVENTION**

#### **FIELD OF THE INVENTION**

The present invention relates in general to devices for removing obstructions from  
10 vessels or small openings in the body, and more particularly to a high speed rotatable  
ablator tip which is guided to the obstruction in a reduced diameter configuration,  
expanded and rotated to remove the obstruction, and contracted for removal of the device  
from the body. The present invention further relates to a combined atherectomy and  
balloon angioplasty device having a rotatable ablator tip of either a fixed or a variable  
15 diameter, and an angioplasty balloon disposed proximally of the ablator tip. Still further  
the present invention relates to a combined atherectomy and stent implantation device  
having a rotatable ablator tip and a stent with a means for implanting the stent at the  
obstruction within the vessel.

#### **BACKGROUND ART**

20 There has been great interest of late among those in the medical community in non-  
surgical means to remove obstructions from occluded vessels, particularly coronary  
arteries. Traditionally, patients have had to undergo relatively complex, invasive, and  
risky coronary bypass surgery in order to obviate or reduce the obvious health hazards  
presented by occluded coronary arteries. Coronary bypass surgery typically involves  
25 utilizing vascular tissue from another part of the patient's body, such as his leg, and  
constructing a shunt around the obstructed vessel. The obstruction can be formed of a  
relatively hard material, such as a plaque deposit, and/or a softer material such as a  
fibrinogen polymerized to form a thrombus.

An alternative to the traditional coronary bypass surgery which has become popular  
30 in recent years is a technique known as balloon angioplasty. In this technique, a deflated  
balloon is introduced by means of a catheter to the obstructed area. The balloon is then  
inflated to open the lumen of the vessel. The inflated balloon tends to crush or compact

WO 97/14470

PCT/US96/16724

obstructing material against the vessel walls as well as crack the obstructing material and dilate the vessel so as to increase the lumen or passageway therethrough, but does not remove the obstructing material from the vessel. Since the cracked and fractured obstructing material is not removed, there is a significant possibility that the vessel will become reoccluded at the treated area within a relatively short period of time, thus requiring additional treatment(s). The balloon angioplasty procedure has several additional drawbacks which tend to further reduce its desirability and/or effectiveness. In the case of a severely occluded vessel, it may be difficult to position the deflated balloon so that it spans the occlusion without causing undue trauma to the surrounding vasculature. This is because the leading portion of the balloon must first be forced through the occlusion into position for treatment *i.e.* inability to cross. The balloon angioplasty procedure is not satisfactory for treating calcified and hard occlusions, since it may not be able to crack and dilate the obstructing material. The balloon angioplasty procedure also is not satisfactory for treating eccentric occlusions, *i.e.*, occlusions which occur primarily on one side of the vessel, because the balloon tends to simply stretch the healthy vascular tissue and not to compress the non-elastic and/or hard occluding material. After the balloon is deflated, the healthy vascular tissue returns to its normal shape and the occlusion remains essentially untouched. Moreover, the balloon angioplasty technique is less suitable for treating long occlusions or those occurring at curves and bends in the vessels, due to the difficulty of appropriately placing and properly inflating the balloons without the high risk of dissections. In addition, during the balloon angioplasty technique, there is a period of time during which the vessel is essentially totally obstructed by the balloon. This could lead to further damage to tissues already damaged, or even to damage previously healthy tissues. Moreover, when the balloon inflates, it may cause uncontrolled deep injury to the vessel, including the formation of intraluminal flaps, which may in turn result in abrupt closure or predispose to a high rate of restenosis.

Atherectomy is another technique developed of late for opening the lumen of an occluded vessel, and, like the balloon angioplasty technique, provides an alternative to the traditional coronary bypass surgery. Atherectomy involves physically breaking up the material which blocks or partially blocks the vessel. Several types of atherectomy devices have been developed. U.S. Patents Nos. 4,990,134 and 4,445,509

disclose a rotatable burr with a fluted or abrasive surface that is

introduced into the obstructed vessel. At the obstruction the burr is rotated at a high rate of speed to abrade or cut away at the obstruction. The burr is a solid tip that is introduced into the vessel with a catheter and remotely driven to rotate at the desired speed. The burr is introduced into the patient's body typically at the femoral artery and guided to the  
5 obstructed vessel.

The rotatable burr atherectomy devices of the prior art when properly used have several advantages over the balloon angioplasty technique. Unlike the balloon angioplasty technique, treating an occluded vessel with a rotatable burr essentially completely removes the obstructing material, leaving the vessel wall relatively smooth and eliminating the bits or flaps of tissue at the treatment site which often result from balloon angioplasty. Moreover, unlike the balloon angioplasty device, a rotatable burr can effectively remove  
10 eccentric occlusions, because the rotating burr's small flutes or blades tend to "slide off" the healthy lubricated and elastic vascular tissue on one side of the vessel and to selectively abrade the occluding non-compliant material on the other side of the vessel. Furthermore, a rotatable burr, which abrades as it progresses, can effectively treat a relatively long  
15 occlusion, and tight and/or calcified occlusions.

One major drawback with traditional rotatable burr atherectomy devices is that they have a fixed working diameter. That is, the cutting size is fixed and cannot be varied to accommodate a range of vessel openings. When it is necessary to clear a relatively large  
20 vessel which has become severely occluded, typically a physician will be reluctant to use a burr of sufficient diameter to clear the vessel all at once. This necessitates the use of two or more successively larger diameter burrs. Moreover, many times the prior art atherectomy procedure must be assisted by a balloon procedure in order to achieve an adequate result. The above tends to lengthen and complicate the procedure and make it  
25 costly. In order to get a large diameter burr to the site of the obstruction, it must first be introduced into the patient's body through an introducer sheath, typically in the patient's leg, and guided through the patient's vascular system to the obstructed vessel. Large burrs require appropriately large introducer sheaths, which tend to cause increased vascular tissue trauma at the site of introduction. Large burrs also tend to cause increased vascular  
30 tissue trauma as they are guided through the patient's vascular system to the obstruction site. Large burrs might also interfere with or disturb other occlusions along the way to the target occlusion, such other occlusions being otherwise too small to indicate treatment.

For example, it has been found that it is better not to treat or disturb occlusions of less than about 50%-60%, since treatment of such lesions entails greater risks to the patient's health than leaving them untreated or undisturbed. A large diameter burr could tend to disturb such small lesions in passage, even to the extent that they become health-threatening. In addition, because prior art burrs have had an abrading surface on only their forward or distal surfaces, physicians have encountered difficulty in satisfactorily treating occlusions at curved vessel locations. Accordingly, physicians faced with the prospects of having to introduce, guide, and then manipulate in the obstructed area a relatively large burr might choose to avoid the rotatable burr technique altogether and fall back to a less desirable alternative, such as balloon angioplasty or even bypass surgery.

Thus, there is a clear need in the medical community for an atherectomy device which possesses all the advantages of the traditional rotatable burr device over the balloon angioplasty technique, but yet can be introduced into the patient's body with a relatively small introducer sheath, thus minimizing tissue trauma at the introduction site; can be guided to the obstruction site with minimal vascular tissue trauma and using smaller guiding catheters; can pass through non-targeted (smaller) narrowings with minimal contact; and can be used to treat openings of varying size during the same procedure. It will be appreciated that such a device would eliminate the need for multiple procedures with varying sized burrs, lower costs, and would eliminate the reluctance of physicians to use the rotatable burr technique in the first place due to the disadvantages they see with the larger, fixed diameter burrs. There is also a need for such a device having an abrading surface on its proximal face as well as on its distal face, to facilitate treating occlusions at curved vessel sites.

Other atherectomy devices with rotatable expandable blades have been disclosed in U. S. Patent No. 4,966,604 to Reiss and U. S. Patent No. 4,895,560 to Papantonakos. Although the blades expand to accommodate variable vessel size, sensor devices or other means must be used during the expansion of the instrument and cutting because the blades can injure or puncture the vessel to be repaired in addition to cutting away the obstruction.

At times, there may arise situations wherein it would be advantageous or desirable to combine the benefits of an atherectomy procedure with the capabilities of a balloon angioplasty procedure to accomplish the intended or required results. For example, sometimes a dissection of vascular tissue may occur during an atherectomy procedure,

creating a "flap" of tissue which may not be easily removed with the rotatable tip. It has been found that an angioplasty balloon may be used in such cases to "tack" the flap of tissue back to the vessel wall to promote healing of the vessel at the site of the dissection. With the prior art devices presently available, such a tacking procedure can only be effected after the atherectomy device is removed from the patient's body and a balloon angioplasty catheter inserted in its place. This unduly lengthens and complicates the overall procedure. Moreover, at times physicians might be reluctant to use an atherectomy burr of a large enough diameter to fully open an occluded vessel, even when presented with the opportunity of using an expandable-type burr as disclosed herein, which as stated earlier can be introduced into the occluded vessel in a reduced diameter state. In such cases, the physician might choose to use a smaller diameter rotatable burr to perform the atherectomy procedure, and then follow with a balloon angioplasty procedure to attempt to open the vessel further, to the ultimate desired diameter. Again, with the prior art devices presently available, such a two-step procedure comprising both atherectomy and balloon angioplasty can only be effected after the atherectomy device is removed from the patient's body and a balloon angioplasty catheter inserted in its place. As noted above, this unduly lengthens and complicates the overall procedure.

Other situations may arise where it is advantageous or desirable to combine the benefits of an atherectomy procedure with means for expanding the constricted vessel or for maintaining an open passageway through the vessel. For example, after the atherectomy procedure has been performed, it may be desirable to implant a wire stent to reduce restenosis of the previously occluded vessel, or to eliminate the danger of occlusion caused by "flaps" resulting from initial tears. Wire stents can also be used to reinforce collapsing structures in the respiratory and biliary tracts. With the prior art devices presently available, it is necessary that the atherectomy procedure be performed first; the atherectomy device removed; positioning the stent in its constricted state at the location of the occlusion; and then expanding the stent for maintaining the open passageway through the vessel. This present procedure requires two separate operations and trips into the vascular system of the patient, first to perform the atherectomy procedure and then to perform the implantation of the stent. The prior art two step procedure can only be effected after the atherectomy device is removed from the patient's body and a stent

inserted and expanded in its place. This unduly lengthens and complicates the overall procedure.

#### SUMMARY OF THE INVENTION

The present invention comprises apparatus and methods for removing obstructions from vessels or small openings in the body. The apparatus is guided into the vessel having the obstruction. The tip of the apparatus comprises a short length of ovaloid shaped coil that can be elongated, thereby decreasing its circumference as compared to its circumference in the normal wound configuration. Lengthening and rotating the coil reduce its circumference and facilitate its introduction to an obstructed area. The coil is then allowed to return to a normal wound configuration thereby increasing the overall circumference of the coil. At least part of the outer surface of the coil is abrasive. The coil can be enlarged to a preselected circumference between the normal wound configuration and the elongated smaller circumference. The coil is rotated at high speed at the point of the obstruction to break up the obstruction and clear the vessel. The above ovaloid shaped coil resembles a spiral lemon peel.

Preferably the coil is tightly wound and multifilar, preformed in an ovoid shape. The coil typically surrounds a means for facilitating introduction into the vessel where the obstruction is located, such as a catheter with a lumen for guide wire insertion. The coil is held at one end by a tapered tip at the end of the catheter. The coil is connected to a means for rotation.

The coil diameter can be selectively decreased and increased as desired to reach and treat, respectively, the obstruction in the vessel. The coil's circumference can be increased or decreased over a range by a remotely actuated means that will elongate or retract the coil as desired. This permits the use of introducers and guiding catheters of smaller diameters than is common in the present practice of device introduction, resulting in less trauma to the patient's vessels at the site of introduction and in route to the obstruction, and also simplifying the procedure.

The present invention comprises a variably expandable abrasive tip coil which may be rotated at the point of obstruction at high speeds. The expansion tip coil may be actuated by a rotating piston means disposed within the coil. A pair of collars is attached to the ends of the coil, and the piston effects relative longitudinal axial and rotational movement of the collars and, hence, the respective ends of the coil tip. When the ends



of the coil tip are so moved with respect to one another, expansion and contraction of the diameter of the coil tip results. In another method, the expansion tip coil may be actuated by an expandable and contractible bellows means disposed within the coil, instead of the piston means. Further, the expansion and contraction of the coil tip may be effected by  
5 longitudinal axial and rotational movement of an internal coil attached to one end of the coil tip, within an outer coil attached to the other end of the coil tip. The expansion and contraction of the coil tip may also be effected by an inflatable balloon disposed within the coil tip. The balloon expansion means enlarges preferably at the central portion of the coil to make a bulge.

10 The ability of the tip to adjust to a desired diameter, within the maximum and minimum range, permits the progressive, from smaller to larger, enlargement of a passage through a stenotic obstruction. The variable tip diameter permits the use of a single device of the present invention to more fully clear a stenosis without the need to use two or more of the existing fixed diameter atherectomy devices. The present treatment of stenosis, with  
15 fixed diameter atherectomy devices, in addition to requiring the use of two or more cutting devices almost always requires the use of an angioplasty balloon catheter as a final treatment. A single device of the present invention will fully treat a stenosis, thus shortening the procedure, reducing trauma, and reducing procedure cost.

20 After an obstruction is cleared, it is possible to decrease the circumference of the coil by elongation and rotation and easily withdraw the coil and associated catheter from the vessel.

The coil tip is rotated at a desired speed during its passage through the stenosis. Once the obstruction is cleared, the coil is returned to its original smaller diameter and may be easily withdrawn from the vessel.

25 The atherectomy device may be combined with the capabilities of a balloon angioplasty device with but a single trip or entry into the occluded vessel, in situations where the use of such a combination is desired or required. The combined device thus saves the time and expense, and avoids the increased difficulty or risk, of having to perform two separate procedures, that is, the atherectomy procedure followed by a separate  
30 balloon angioplasty procedure, in those cases where, for example, tacking of dissected tissue is desired or where the physician is reluctant to use a rotatable burr of sufficient size to create the targeted opening.

The combined atherectomy and balloon angioplasty device may have a rotatable ablator tip of either a fixed or a variable diameter, and an angioplasty balloon disposed proximally of and spaced a relatively small distance from the ablator tip. The angioplasty balloon may be affixed to the drive coil which drives the ablator tip or to the end of the protective catheter or sheath over the drive coil, and may be moved back and forth in a longitudinal axial direction in order to manipulate the balloon into position for performing the angioplasty procedure. The balloon is selectively inflatable with a fluid, such as a saline solution, to a diameter which may be the same or greater than that used for the atherectomy procedure in order to expand the vessel beyond the maximum diameter at which the atherectomy procedure is performed, or to tack a flap of tissue back to the vessel wall. When the angioplasty balloon is disposed on the drive coil and is inflated, the rotation of the drive coil is halted or disabled. Thus, it can be seen that with a device according to these alternative embodiments of the present invention, during any one "trip" into the occluded vessel, the physician can perform an atherectomy procedure alone, or a combination of an atherectomy procedure and a balloon angioplasty procedure, in order to produce the best result for the patient.

In an another embodiment of the invention described and claimed herein, there is provided a device which combines the benefit of an atherectomy procedure with the capabilities of a stent implantation procedure with a single trip or entry into the occluded vessel, in situations where the use of such a combined device is desired or required. This combined device of the present invention thus saves the time and expense, and avoids the increased difficulty or risk, of having to perform two separate procedures, that is, the atherectomy procedure followed by a separate procedure for locating and implanting the stent, in those cases where, for example, tacking of dissected tissues is desired or where the physician is reluctant to use a rotatable burr of sufficient size to create the targeted opening.

The combined atherectomy and stent implantation devices have a rotatable ablator tip of either a fixed or a variable diameter, and a stent disposed on the protective catheter proximally of and spaced a relatively small distance from the ablator tip. The stent and implantation means are fixed to the outer surface of the protective catheter which may be moved back and forth in a longitudinal axial direction in order to manipulate the stent into position for implantation within the vessel. Preferably, the implantation means is a balloon

that is disposed beneath the stent and is selectively inflatable with a fluid, such as a saline solution, to a diameter which may be the same or greater than that used for the atherectomy procedure in order to expand and maintain the vessel beyond the maximum diameter which the atherectomy procedure is performed, or to tack a flap of tissue back to the vessel wall.

Thus, it can be seen that with a combined device according to these embodiments of the present invention, during any one "trip" into the occluded vessel, the physician can perform an atherectomy procedure alone or a combination of atherectomy procedure and a balloon angioplasty procedure, or a combination of an atherectomy procedure and a stent implantation procedure, in order to produce the best results for the patient. Substantial cost reduction is achieved as well as a substantial reduction in risk to the patient.

These and various other characteristics and advantages of the present invention will become readily apparent to those skilled in the art upon reading the following detailed description.

#### BRIEF DESCRIPTION OF THE DRAWINGS

For a detailed description of the preferred embodiments of the invention, reference will now be made to the accompanying drawings, wherein:

Figure 1 is a schematic representation of the drive-control unit at the proximal end of the atherectomy device and the drive coil, expandable tip, and guide wire disposed within the flexible outer catheter which surrounds the drive coil.

Figure 2 is a length-wise cross sectional view of the expandable coil and the associated piston and inner catheter with the coil retracted and the coil circumference enlarged.

Figure 3 is a length-wise cross sectional view of the coil of Figure 2 in the elongated position with a smaller coil circumference.

Figure 4 is a length-wise cross sectional view of another means of activating the coil using a bellows associated with the coil for expansion.

Figure 5 is a length-wise cross sectional view of still another means of activating the coil using an inflatable balloon used for coil expansion.

Figure 6 is a length-wise cross sectional view of another means of activating the coil using a pair of concentrically and coaxially disposed, telescopingly slidable sleeves disposed within the coil and cooperable to effect coil expansion.

Figure 7 is a length-wise cross sectional view of still another means of activating the expandable coil wherein the coil comprises a helically wound ribbon-like metal strip.

Figure 8 is an enlarged pictorial/schematic view of a drive-control unit for a combined atherectomy device and an angioplasty balloon along or for a combined  
5 atherectomy device and a stent implantation device. The drive-control unit of Figure 8 is also illustrated as being equipped to produce rotation of the atherectomy tip in either a clockwise or a counterclockwise direction.

Figure 9 is an enlarged pictorial view of one embodiment employing an angioplasty balloon along with a fixed diameter rotatable ablator tip, which is adapted for use with the  
10 drive-control unit of Figure 8.

Figure 10 is an enlarged pictorial view of another embodiment employing an angioplasty balloon along with an expandable diameter rotatable ablator tip, which is also adapted for use with the drive-control unit of Figure 8.

Figure 11 is an enlarged, length-wise cross sectional view of the combined  
15 atherectomy tip/angioplasty balloon embodiment of Figure 10.

Figure 12 is an enlarged pictorial view of still another embodiment combining an atherectomy device with an angioplasty balloon disposed on the distal end of the outer catheter and which is adapted for use with the drive-control unit of Figure 8.

Figure 13 is an enlarged, length-wise, cross sectional view of the combined  
20 atherectomy device/angioplasty balloon shown in Figure 12.

Figure 14 is a side view of a wire stent disposed around a balloon catheter and shown in the contracted condition.

Figure 15 is a side view of the wire stent and balloon catheter of Figure 14, shown in the expanded condition.

Figure 16 is an enlarged pictorial view of a preferred embodiment combining the  
25 atherectomy device and a stent implantation device which is also adapted for use with the drive-control unit of Figure 8.

Figure 17 is an enlarged, length-wise, cross sectional view of the combined atherectomy device and stent implantation device shown in Figure 16.

Figure 18 is a cross sectional view of an outer catheter which may be used with the  
30 devices shown in Figure 16 and 17 where the lumen for the inner catheter is off center to allow for a fluid passageway.

DETAILED DESCRIPTION OF THE PREFERRED  
EMBODIMENTS OF THE INVENTION

The drawings are illustrative of the apparatus of the present invention used for removing an obstruction from a vessel. The embodiments described are exemplary only, and can be modified in the practice of the invention. Reference may also be made to other related patents such as U.S. Patents 5,217,474 and 5,308,354.

**Atherectomy Device**

Figure 1 is a schematic representation of one type of system 10 adapted for use with the adjustable tip atherectomy device of the invention. A drive-control unit 9 is attached to one end of a flexible catheter 14 which surrounds a drive shaft coil 8. Drive shaft coil 8 is adapted for high speed rotation within the catheter 14. Flexible catheter 14 is made of a suitable biocompatible material capable of withstanding the heat of friction generated when drive shaft coil 8 is rotated at high speed. Speeds of rotation of drive shaft coil 8 within flexible catheter 14 of about 100,000 to 300,000 revolutions per minute are contemplated for the present invention, which speeds may be generated, for example, by means of a conventional compressed air turbine, an electric motor or the like. An expandable, adjustable diameter coil tip 16 is attached to drive shaft coil 8 at its distal end. The proximal end of the drive shaft coil 8 is attached to a torque drive device 1, such as the aforementioned compressed air turbine, which is centrally disposed within the drive-control unit 9. Actuation of the torque drive device 1 drives the drive shaft coil 8 which in turn rotates the expandable, adjustable diameter coil tip 16. The drive shaft coil 8 is preferably of a helically single or multilayered wound hollow wire configuration or a hollow tube with or without fenestrations and is made of stainless steel, nitinol, or another suitable material capable of transmitting torque to drive the coil tip 16 at speeds as high as those referred to above which are contemplated for the present invention. Such helical coils with diameters as small as 0.032 inches have been used in the past for such high speed rotational torque transmission applications. Although drive shaft coil 8 has been described as preferably being of a helically wound hollow wire configuration, it should be appreciated that a hypotube may be used. The hypotube may be etched to provide windows in the tube to make the tube flexible. Flexible catheter 14 assists in containing

the forces acting on and transmitted by the drive shaft coil 8, and protects the body's intervening vasculature from injury or trauma during rotation of the drive shaft.

An air inlet port 7 of drive-control unit 9 accepts air from a conventional air pressure control unit (not shown) commonly found in hospital settings and well known to those skilled in the present art. Air at controlled pressure is applied momentarily and for the desired duration of tip rotation. The pressurized air passes through the inlet port 7 and communicates to the torque drive device inlet port 7c via air outlet port 7a and connecting tube 7b. Rotational speed is monitored by a conventional tachometer connected to tachometer cable connector 6 of drive-control unit 9. The air pressure control unit (not shown) may be adjusted to result in application of the desired air pressure to the turbine or the like to effect the desired tip rotational speed.

Drive-control unit 9 also includes several ports which communicate to various lumens of the overall atherectomy device. Generally, the various lumens permit the injection through the device of fluids, such as medication, hydraulic actuation fluids for actuating the means for adjusting the expandable tip 16 of the device, and cooling fluids for reducing friction heating during high speed rotation, as further described below. Cooling fluids, for example, are introduced into the flexible catheter 14 around the drive shaft coil 8 to bathe the coil 8 during rotation.

In practice it is necessary to visualize the stenotic obstruction to be treated by the device. This is accomplished by the injection of a contrast medium and fluoroscopic visualization as is commonly practiced by those skilled in the art. The atherectomy device permits the injection of a contrast medium through central lumen 64 and the annular space 34, Figure 1 and Figure 2, created between the outer surface of the drive shaft coil 8 and the inner surface of flexible outer catheter 14. Port 3 of drive-control unit 9 communicates with the annular space 34 and, in addition to serving as a means for contrast medium injection, may be used to inject cooling fluid during high speed rotation. Port 4 of drive-control unit 9 communicates with central lumen 64, shown in Figure 2, and may be used for the injection of a contrast medium, medication, and other fluids through the central lumen 64.

Referring to Figure 2, it can be seen that central lumen 64 is created by a flexible catheter tube 38 which is disposed substantially concentrically and coaxially within a larger inner diameter flexible catheter tube 40. These concentrically and coaxially disposed inner

catheters extend proximally within the passage created by the drive shaft coil 8 and extend beyond the proximal end of the drive shaft coil 8 within the drive-control unit 9. The concentric and coaxial disposition of flexible catheters 38 and 40 and the difference between the size of the outer diameter of catheter 38 and the inner diameter of catheter 40 creates an annular space lumen 42 which communicates to drive-control unit port 5, thus creating a passage for the purpose of activating the expanding means used to adjust the diameter of the ablating coil tip 16, as described further below.

The distal terminal ends of concentrically and coaxially disposed flexible catheters 38 and 40 are sealed by potting material 48 which serves to bond the tubes 38 and 40 together as well as to provide a distal seal for annular space lumen 42.

Central lumen 64 extends from the terminal distal end of tip 16 through drive-control unit 9 at its extreme proximal end. Thus the central lumen 64 can be used to guide the atherectomy device tip 16 of the present invention to a selected vessel obstruction by introduction over a prelocated guide wire 12, shown in Figure 1.

The atherectomy device is introduced into the body by way of the brachial or femoral artery, utilizing the Grunzig technique, which method is well known to those who practice in the area of catheterization. The device minimizes damage to the vessel selected for catheter introduction. Normally, an introducer sheath is used to access the vessel at the point of introduction. Through the prepositioned introducer sheath is placed a guiding catheter and a guide wire appropriate for directing the atherectomy device to the selected stenosis to be treated. The size, or diameter, of the introducer sheath and guiding catheter is determined by the size or diameter of the device to be introduced for treatment of the obstruction. Since existing atherectomy devices are of a fixed diameter, it is often necessary to introduce progressively larger diameter devices in order to fully clear a stenotic obstruction. This requires the use of introducer sheaths of a diameter sufficient to accept the larger diameter device, which results in greater vessel trauma at the point of vascular access. It is not uncommon, for example, to require use of introducer sheaths of up to a size 10F (10 French) in order to accommodate the desired diameter, for example about 2.5 millimeters, of prior art atherectomy tip. An even larger size introducer sheath, *e.g.*, of size 11F (11 French), may be used to accommodate a fixed diameter burr of about 2.75 to 3.0 millimeters, but substantially no one else has used an introducer sheath so large as the 11F and a burr of the corresponding large size diameter without the need for balloon

assistance for practicing the prior art atherectomy technique described above. In addition, as noted previously, the larger diameter atherectomy devices of the prior art may cause increased vascular tissue trauma as they are guided to the obstruction to be treated, and also may disturb, in passing, other, smaller vascular obstructions not otherwise indicated  
5 for treatment.

The variable, adjustable diameter tip 16 may be introduced by the technique just described but can also employ an introducer sheath and guiding catheter of a diameter that is less than its maximum expanded diameter. For example, it is contemplated that an introducer sheath of a size 8F, which is considerably smaller in diameter than the size 10F,  
10 can be used effectively with the expandable abrading tip of the present invention, even when removing obstructions that would require a 10F, 11F, or larger size sheath according to prior art techniques. This results in decreased vessel trauma at the vessel access site and also in decreased vessel trauma en route to the obstruction, which features offer a distinct advantage over existing atherectomy devices. The device minimizes or avoids this  
15 vessel trauma because it is introduced and guided into position for treatment in its minimal diameter configuration.

Referring to Figures 2 and 3, the variable diameter feature of the abrading coil tip 16 will be described. Figure 2 shows a piston means for one preferred embodiment of the dynamic variation of the abrading tip coil 20. Figure 2 illustrates the abrading tip coil 20  
20 in its maximum diameter condition and the activating means or piston in its deactivated condition. The piston is comprised of a proximal collar ring 50, a cylindrical piston inner sleeve 46, a cylindrical piston outer sleeve 52, a slidable piston seal ring 62, and a distal slidable piston collar 28 which also comprises the distalmost tapered abrading surface 26 of the device of the present invention.

25 The piston sleeves 46 and 52, the proximal collar 50, and the distal collar 28 are preferably made of stainless steel, but may be made of other materials suitable for the desired piston function and attachment described below.

Cylindrical piston inner sleeve 46 is attached to a number of the coil winds of drive shaft coil 8 at region "a" as well as to proximal collar 50 at region "b" by circumferential  
30 welding or the like. Outer piston sleeve 52 is circumferentially welded or the like to proximal collar 50 at region "d". Inner piston sleeve 46 is concentrically and coaxially disposed over flexible catheter tube 40 and bonded thereto to sealably fix the sleeve 46



around the flexible tube 40. The seal between inner piston sleeve 46 and flexible tube 40 is created by a tight slip fit between the members and by epoxy bonding or the like.

The distal piston collar 28 is slidably and rotationally free to move or telescope between inner piston sleeve 46 and outer piston sleeve 52. The slidable contacting surfaces of distal collar 28 and piston sleeves 46 and 52 may be deposited with a thin Teflon coating or the like to enhance the movement of distal collar 28 during piston function.

At the proximal termination of distal collar 28 and circumferentially disposed around inner piston sleeve 46 is slidable piston seal ring 62. Preferably made of Teflon or other suitable material, seal ring 62 is the primary piston "O" ring seal and is free to slide longitudinally axially between piston sleeves 46 and 52, thus creating a sliding seal between sleeves 46, 52.

Piston cavity 60 is an annular or circumferentially disposed, enclosed space bounded by the terminal distal face 54 of collar 50, the proximal terminal face of piston seal ring 62, the inner wall surface of sleeve 52, and the outer wall surface of sleeve 46.

Piston ports 56 and 58 access piston cavity 60. The ports 56, 58 are two, preferably, of a total of four piston ports that communicate through the wall of piston inner sleeve 46 and the wall of flexible tube catheter 40 to access annular space lumen 42.

Adjustable diameter, ovaloid shaped coils 20 of tip 16 are circumferentially disposed around the internal piston elements. The distal terminus of ovaloid coils 20 is attached to the piston distal collar at region 22a by circumferential welding or other suitable means. The distal attachment of coil 20 to distal collar 28 at region 22a is such that the attachment preferably forms a smooth continuation of the outer ovaloid surface of the tip 16. Thus, a smooth transition from the outer surface 26 of distal piston collar 28 to the coil 20 ovaloid surface is created.

Tightly wound ovaloid coil 20, by its attachment to distal piston collar 28 at region 22a and its attachment to proximal piston collar 50 at region "c", forms the piston's return spring.

As previously described, annular space lumen 42 communicates with port 5 of drive-control unit 9 and piston ports 56 and 58. Application of hydraulic pressure, or other suitable fluid pressure, at port 5 of drive-control unit 9 will transmit the necessary force to cause piston seal 62 to move distally and push slidable distal piston collar 28 in a forward or distal direction. As pressure at port 5 is increased, the major diameter of

ovaloid coil 20 at the tip 16 decreases and the ovaloid outer shape lengthens or stretches and rotates (winds) to an increasingly right circular cylindrical configuration. As piston activation pressure increases, the ovaloid coil 20 stretches and unwinds under the pulling force exerted at region 22a by the distal movement of distal collar 28. The piston may be provided with a helical groove or the like, in which rides a radially outwardly projecting pin or the like disposed on the sleeve 46, to direct and channel the winding or unwinding movement of the coil winds as the piston is deactivated or activated, as the case may be.

Figure 3 illustrates the effect of the piston activation at its maximum distal travel or movement. The ovaloid coil 20 shown in Figure 3 is an example of multifilar coil which comprises a quadrafilar coil which has been stretched and unwound in groups 36 of four winds per group when affected by the piston forces just described. Although a quadrafilar coil is shown, which coil stretches and unwinds also substantially as shown, other types or styles of coils, which stretch and unwind in other ways, may be used.

The diameter of tip 16 can be varied from its maximum ovaloid diameter shown in Figure 2 to its minimum elongated ovaloid diameter shown in Figure 3. The dynamic diameter of the ovaloid tip 16 is a function of the piston activation pressure applied to piston cavity 60, and the return spring force of ovaloid coil 20. It is thus possible to select any desired tip diameter within the range bounded by the maximum and minimum diameters by selecting the appropriate piston activation pressure applied at port 5 of drive-control unit 9. The activation pressure can be set and monitored using standard gauges and pressure systems commonly used and well known to those of ordinary skill in the art.

Referring again to Figure 1, there is shown on drive-control unit 9 a button 17 which serves as an air valve actuator to activate an air clamp which is centrally and proximally disposed within the drive-control unit 9. The air clamp is supplied by air from inlet port 7 and closes around and holds guide wire 12 in position at all times, except when the valve button is depressed. Thus the guide wire 12 is normally held during device rotation and released for advancement through the entire length of the atherectomy device.

The atherectomy device will clear vascular stenoses by abrading or wearing away the stenotic material. The surface of the abrading tip 16 is deposited with particles, such as diamond dust 11, which may partially or totally cover the outer surface of ovaloid tip 16. The abrasive material surface may cover all or any portion, from the distalmost outer

surface 26 of distal piston collar 28 to region "b" at the proximal termination of ovaloid tip 16.

The particle size of the abrading material 11 should be substantially uniform over the abrading surface of the tip. Particle diameter size should be in the range of about 10 to about 100 microns, with a preferred subrange of about 10 to about 20 microns. With abrading particles of about this size, rotated at the speeds contemplated for the present invention, the pieces of stenotic material abraded away will be about 5 to about 8 microns in diameter, which is less than the typical diameter of a red blood cell. At such a small particle size, the pieces of stenotic material abraded away can be disposed of naturally by the body through the capillary beds and there is no need for additional means of debris collection. Both soft and hard stenotic material may be removed by the cutting action of the tip 16.

Alternately, the abrading property of the surface of the tip 16 may be imparted by other methods, such as peening.

The tip 16 of the device is preferably capable of abrading in both the forward and reverse progressions of the tip through a stenosis. This is due to the grit 11 preferably being deposited on both the leading and trailing slopes of the ovaloid tip 16.

Vascular recanalization of obstructions representing less than about 50% to 60 % occlusion are not indicated. It has been found that the treatment for such occlusions by angioplasty or atherectomy more often aggravates the condition and accelerates the stenotic growth. In practice, those occlusions requiring treatment, the target stenoses, are not isolated, but rather are preceded by upstream and followed by downstream occlusions which preferentially should not be treated or should be bypassed by the treatment device.

Unlike existing atherectomy devices with fixed diameter ablaters, the present device may be adjusted to its lower diameter and guided past and through non-target stenoses with reduced probability of aggravating these lesions.

Referring now to Figure 4, there is shown a longitudinal cross sectional view of another means for actuating the tip 16 of the atherectomy device where a bellows 128 is substituted for the piston as a means of ovaloid coil expansion. The bellows comprises a longitudinally expandable and contractible, hollow annular member having a plurality of accordion-like folds along its length. Bellows 128 is made of deposited nickel or other suitable thin walled material. Bellows 128 is attached at its proximal end to the distal face

of a proximal collar 120, which in turn is attached to a plurality of winds of the coil 20 of tip 16 by circumferential welding or the like. A catheter tube 122 is sealably attached to the interior bore of the proximal end portion of collar 120. Catheter tube 122 preferably comprises a pair of concentrically and coaxially disposed flexible tubes forming an annular space lumen 124 therebetween. Catheter tube 122 is concentrically and coaxially disposed within drive shaft coil 8. Annular space lumen 124 communicates through passages 126 in collar 120 to the interior of bellows 128 at its proximal end. The distal end of bellows 128 is attached to the proximal face of a slidable distal tip collar 130. A plurality of winds of the coil 20 at its distal end are attached to the outer surface of the tip 130 by circumferential welding or the like. A metal guide tube 132 is attached within and to the distal end of the catheter tube 122, and projects therefrom through the bellows and into the central axial bore of the tip 130. The tip 130 is free to slide rotationally and longitudinally axially on the guide tube 132. Upon application of activation pressure, longitudinal expansion of the bellows 128 causes the tip coil 20 to stretch, reducing its circumference or diameter in a manner similar to that described in connection with the embodiment shown in Figures 2 and 3. Removal of the activation pressure will cause the bellows to contract, because of the spring effect associated with the metal bellows configuration. When the bellows is in its contracted state, the diameter of the ovaloid tip 16 is at its maximum, and when the bellows is in its expanded state, the diameter of the tip is at its minimum. Figure 4 illustrates the bellows in its expanded state. The increased diameter of the coil when the bellows is in its contracted state is indicated in the central portion of the figure by the dotted lines 129.

Referring to Figure 5, there is shown a cross sectional view of still another means for actuating the tip 16 where a high pressure balloon 80, such as those commonly used in angioplasty devices, is used as the tip coil expansion means. In this embodiment the tip 16 is normally in its minimum diameter condition. As in the previously described embodiments, the annular space lumen 42 conveys the pressure required to expand the balloon 80. As the balloon 80 expands, it expands the associated central portion of the tip coil 20. This results in a tip diameter increase that simultaneously changes the ovaloid shape of the tip 16 to a modified ovaloid shape having a compound ovaloid or distended central portion 81.

As seen in Figure 5, this embodiment may incorporate a pin 82 which rides in a 350- slot 83 which is circumferentially disposed around the inner wall surface of a proximal collar 50. The pin is fixed to a proximal metal slide tube 84 by welding or the like. The proximal metal slide tube 84 is disposed around an outer catheter tube 150. The proximal collar 50 is rotationally free to move over the surface of proximal metal slide tube 84 and may rotate a total of 350-, at which time it engages the drive pin 82. The drive shaft coil 8 is weldably or otherwise attached to the proximal metal slide tube 84 and thus may drive the proximal collar 50 during high speed rotation. A distal collar 28 is weldably or otherwise attached to a plurality of winds of coil 20 at its distal end, and the proximal collar 50 is weldably or otherwise attached to a plurality of winds of coil 20 at its proximal end. A metal slide tube 85 is mounted around the distal end of an inner catheter tube 152, and is telescoped into a central axial counterbore in the proximal face of the distal collar 28. The metal slide tube 85 is sealably disposed between the catheter tubes 150, 152 and seals the distal ends of the tubes 150, 152. The lumen 42 between the catheter tubes 150, 152 communicates through ports 154 in the outer catheter tube 150 to the interior of balloon 80, which is mounted on the outer surface of the outer catheter tube 150. Air is introduced through the ports 154 to inflate the balloon 80. The distal collar tip 28 is free to slide longitudinally axially and rotationally over the surface of metal slide tube 85, and collar 50 is free to rotate over the surface of its associated slide tube 84. Thus the coil 20 of tip 16 may unwind and wind as the coil expands and contracts, as the case may be, under the action of the balloon 80. The balloon 80 at its maximum inflation forces the center of the ovaloid to its maximum diameter. Removing the air pressure from the balloon causes it to deflate, allowing the coil to return to its normal, reduced diameter state.

Figure 6 is a cross sectional view of still another means by which a second helical coil 90 is coaxially and centrally disposed within the drive shaft coil 8. The innermost coil 90 is free to slide within the drive shaft coil 8 and extends through the entire length of the device. A pair of such coils as manufactured by Lake Region Manufacturing Company, Inc. of Chaska, Minnesota, may be found suitable for use in this embodiment, but other or equivalent coils can of course be used. It should be appreciated that a hypotube may be used as innermost coil 90 or as drive shaft 8. The distal end of the inner coil 90 is attached to the distal tip collar 28 through an inner slide sleeve 160. The ovaloid tip 16

coil 20 is attached to the distal and proximal collars 28, 50 as previously described. An outer slide sleeve 162 is telescoped over the inner slide sleeve 160 and is disposed at its proximal end within the central axial bore of the proximal collar 50. The inner slide sleeve 160 is free to telescope longitudinally axially within, and to rotate within, the outer slide sleeve 162. Outer slide sleeve 162 may be integral with drive coil 8 if a hypotube is used for coil 8. Also inner slide sleeve 160 may be integral with drive coil 90 if a hypotube is used for coil 90. Limiters such as shown in Figure 11 may also be used on sleeves 160, 162.

The tip 16 of Figure 6 is normally in its maximum diameter condition and is caused to reduce its diameter by the longitudinal and rotational movement of the inner coil 90 within the drive shaft coil 8 in a distal direction. When the inner coil 90 is pushed and/or rotated distally within the drive shaft coil 8 the distal tip collar 28 moves forward, in relation to proximal collar 50 and causes the tip coil 20 to stretch and wind down. Thus the tip diameter may be reduced. The tip 16 diameter in this embodiment is a function of the longitudinal displacement of the distal collar 28 with respect to the proximal collar 50. The tip coil 20 for this embodiment may be a continuation of the drive shaft coil 8, as shown in Figure 2, or an individual coil segment, as shown in Figure 5.

Alternatively, the coil 20 of ovaloid tip 16 may be replaced by a deposited metal ovaloid such as nickel, preferably having a wall thickness of less than 0.002 inches. Further, the coil feature of the deposited metal tip may be cut into the previously deposited ovaloid shape such that the coil ribbons at the center, or apex, of the ovaloid are widest and decrease in width as the ovaloid slope descends to the distal and proximal minor ovaloid diameters. There may be one helix, or a plurality of adjacent helices, extending in the same or opposite or different directions, comprising the coil. The deposited metal coil alternative presents what may be described as a "lemon peel" feature. An illustration of such an embodiment is shown, for example, in Figure 7.

#### **Preferred Atherectomy Device**

Although any of the above described atherectomy devices may be used in the present invention, the atherectomy device shown in Figure 6 is preferred. The preferred atherectomy device of Figure 6 includes an outer drive shaft cable or coil 8 within which is coaxially and centrally disposed an inner cable or coil 90. The inner coil 90 slides freely within outer coil 8 and extends through the entire length of the device. Lake Region

Manufacturing Co., Inc. manufactures inner and outer cables which have been found to be suitable for inner and outer coils 90, 8, but other equivalent cables or coils could also be used. The distal end of inner coil 90 is attached to inner slide sleeve 160 which in turn is attached to the distal collar 28 of ovaloid tip 16. The distal end of outer drive shaft coil 8 is attached to outer slide sleeve 162. The coil 20 of ovaloid tip 16 includes an abrasive surface which is preferably formed by peening although other methods may be used for placing abrasive surface on tip 16 as previously described including the use of an abrading material 11. The ovaloid tip 16 is expanded and contracted either by extending inner coil 90 with respect to outer coil 8 and/or by rotating inner coil 90 with respect to outer coil 8.

### Drive Apparatus for Combined Devices

Referring now to Figure 8, there is shown an embodiment of a type of drive-control unit which may be employed with either the combined atherectomy and balloon angioplasty devices shown in Figures 9-13 or the combined atherectomy and stent implantation devices shown in Figures 13-18. Figure 8 is illustrative of a type of system 10 adapted for use with the combined devices of the present invention shown in Figures 9-18. For ease of reference, parts of the embodiments of Figures 8-18 which are substantially like parts of the other embodiments described above, are given the same reference numerals. The drive-control unit 10 of Figure 8 is similar to the drive-control unit of Figure 1, with the following being the primary differences. The air supply inlet tube 7 incorporates tube 7e, flexible plastic tube 7d, and tube 7f. Rotatable drive turbine 1 will accept air inputs from tube 7c and from tube 7f. A turbine valve switch 1a is disposed on the drive-control unit of Figure 8, in communication with the drive turbine 1, as a means for selecting a forward (*e.g.*, counter-clockwise, designated by the "F") or a reverse (*e.g.*, clockwise, designated by the "R") tip rotation. As stated previously, air is supplied into inlet tube 7 at a regulated pressure and communicates to the turbine 1, which is disposed in the drive-control unit. If the air is directed to tube 7a, flexible plastic tube 7b, and tube 7c to one side of the turbine blades, they will rotate in one direction, *e.g.*, forward, and if directed to tube 7e, flexible plastic tube 7d, and tube 7f to the opposite sides of the turbine blades, they will rotate in the opposite direction, *e.g.*, in reverse. A valve which is disposed about the turbine alternately shuts off the flow of air through tube 7f or tube 7c to one side or the other of the turbine blades, simultaneously opening up the flow of air through the other

of tubes 7f and 7c, thus permitting the operation of the rotatable tip in the desired direction. The ability of the tip to rotate in both a clockwise and a counterclockwise direction provides the physician with increased flexibility in carrying out the procedures. Inflation of the angioplasty balloon 200 or the catheter balloon 240 (Figures 9-18) is effected through a tube 5a of drive-control unit 10 of Figure 8. Inflation of balloons 200, 240 is accomplished through application of hydraulic pressure, using a saline solution or other acceptable fluid as the pressure fluid, through the balloon inlet tube 5a. Conventional balloon pressure regulating gauges, such as gauged syringes, may be connected to the balloon inlet tube 5a to control balloon inflation. Balloon inflation pressure for angioplasty balloon 200 is communicated to the balloon via annular lumen 206, shown in Figure 11, or fluid passageway 216, shown in Figure 13, both of which are continuous with balloon inlet tube 5a and balloon inflation pressure for catheter balloon 240 for the stent implantation device is communicated through passageway 260 in catheter 14 as shown in Figure 17.

It should be appreciated that power means other than a turbine may be used to power drive-control unit 10. For example, an electric motor may be housed within drive-control unit 10 for supplying the power to the atherectomy device. Further, in the preferred embodiment of the atherectomy device shown in Figure 6, the inner coil 90 is telescoped within outer drive shaft coil 8. Inner and outer coils 90, 8 may be releasably connected to the end 222 of drive-control unit 10. Connection means well known in the art may be used for connecting the telescoping, flexible inner coil 90 and outer drive shaft coil 8 to the power means of drive-control unit 10. Still further, it should be appreciated that in using an electrical motor as the drive means, means could be provided at the opposite end 224 of drive-control unit 10 for the attachment of flexible inner and outer drive coils 90, 8. This allows the rotation of inner and outer coils 90, 8 in the reverse direction. For example, connecting inner and outer coils 90, 8 to end 222 allows a forward (*e.g.*, counter-clockwise) tip rotation and the connection of flexible catheters 38 and 40 and drive shaft coil 8 to the opposite end 224 allows a reverse (*e.g.*, clockwise) tip rotation.

### **Combined Atherectomy and Balloon Angioplasty Devices**

Referring now to Figure 9, there is shown a combined atherectomy and balloon angioplasty device, which employs a fixed diameter rotatable ablator tip 16a. The oval tip



16a is hollow and has a wall thickness in a range of, for example, about 0.001 inches to about 0.015 inches, or the like. The oval tip 16a may be made by, for example, the metal deposition or hydroforming methods, or other suitable thin-walled member forming methods or nitinol or other metals. The tip 16a has an abrading or "sanding" surface  
5 which may comprise a covering of a diamond dust material 20, or it may comprise an abrading surface produced by peening or other metal upsetting methods.

Hollow tip 16a includes a thin-walled, tubular metal member (not shown) centrally and axially disposed therewithin. The distal ends of the tip 16a and its centrally disposed tube are attached, as by welding, at region d. The proximal ends of the tubular central  
10 member and the oval tip 16a are attached, as by welding, at region b, and the drive shaft coil 8 is attached, again as by welding, to a portion of the thin-walled tubular metal member which projects proximally from the point of welding at region b.

An angioplasty balloon 200 is attached to the drive shaft coil 8. The distal end of balloon 200 is disposed proximal to the oval tip 16a and is attached by means of a flexible  
15 adhesive, such as urethane-based epoxy or the like, and a distal retaining ring marker 201 which is swaged over and disposed circumferentially about the distal attachment of the balloon to the drive shaft coil. The proximal end of the balloon is similarly attached to the drive shaft coil 8 at a point distal to the flexible catheter tube 14, and includes a proximal retaining ring marker 202.

20 The balloon retaining rings 201, 202 are preferably made of a material such as a platinum-iridium alloy or the like. In addition to assisting in balloon affixation, rings 201, 202 serve as markers to enhance fluoroscopic visualization and facilitate balloon placement at the desired site.

Balloon 200 may be made of PE, nylon, or other material as commonly found in  
25 balloon angioplasty catheters. The axial length of the balloon is preferably in the range of lengths of conventional angioplasty balloons, but may be provided in additional or different or varying lengths that more adequately respond to the combined application of atherectomy and angioplasty in a single procedure, as may apply to coronary or peripheral procedures. The balloon inflated diameters will be provided in a range of sizes for a given  
30 size tip 16a to accommodate the specific procedure requirements, as is common in conventional angioplasty procedures.

The relationship between the proximal end of the balloon 200 at ring 202 and the distal end of the catheter tube 14 is preferably such that when the drive shaft coil 8 is drawn fully into the catheter tube 14, as by retraction of the knob 2 of the drive-control unit, the retaining ring 202 does not enter the lumen 34 of the catheter tube. If, however, 5 the balloon 200 were to be drawn into the catheter tube 14, the rotational drive to the device will be disabled, as by shunting the air supply away from the rotational drive means as ring 202 approaches closely the distal end of catheter 14, to prevent rotation of the balloon within the tube 14 and possible damage to the balloon.

Referring particularly to Figures 10 and 11, there is shown a combined atherectomy 10 and balloon angioplasty device, which employs a variable diameter rotatable ablator tip 16. Variable diameter tip 16 may be formed of a coil having one continuous strand wound into a helix, or a plurality of strands wound into a plurality of intertwined helices, such as the quadrafilar coil shown in Figure 3, or it may take the form of a deposited metal coil such as is shown in Figure 7, or it may take on other suitable coil shapes as stated earlier. The 15 spring oval tip 16 thus formed is capable of stretching and rotating along its center axis. When stretched and rotated, the spring oval tip 16 will elongate and its maximum diameter will be reduced in proportion to the extent of elongation. Thus, the tip 16 may be varied in diameter and length. Tip 16 has an abrading surface like that, for example, on tip 16a.

An angioplasty balloon 200 is disposed proximally to the tip 16 of Figures 10, 11. 20 Balloon 200 is also disposed on the drive shaft coil 8 between the oval spring tip 16 and the distal end of the catheter 14. Balloon 200 preferably has a length and a maximum diameter comparable to the length and maximum diameter referred to above for the balloon of Figure 9.

Centrally disposed within the spring ovaloid abrading tip 16 are tubular metal 25 sleeves 160 and 162. The innermost sleeve 160 is attached, as by welding, to the distal end of the thin-walled ovaloid tip 16 at region d. Sleeve 162 is telescopingly disposed about sleeve 160. The sleeves 160, 162 are free to slide longitudinally axially and to rotate with respect to one another, in "trombone" fashion, with sleeve 160 being slidable within sleeve 162. Inner sleeve 160 includes a reduced diameter portion 161 in which is 30 received an inwardly directed annual flange 163 on the end of outer sleeve 162. Reduced diameter portion 161 forms stop shoulders 165, 167 at each end to limit the reciprocal

movement of outer sleeve 162 with respect to inner sleeve 160, thus limiting the expansion and contraction of tip 16.

Drive shaft coil 8 is attached, as by welding, to the proximal end of sleeve 162 at the region defined between points a and b. The proximal end of the spring ovaloid abrading tip 16 is attached, as by welding, to the drive shaft coil 8 and sleeve 162 at the region defined by point b.

Multi-filar wire coil 90 is centrally disposed within the sleeve 162 and the innermost flexible plastic catheter tube 38. Wire coil 90 extends through the entire length of the catheter and the drive-control unit 9. The sleeve 160 is attached, as by welding, to the distal end of the wire coil 90 at the region defined by point c. The tip 16 of Figure 11 is normally in its maximum diameter condition and is caused to reduce its diameter by the distal longitudinal movement of the inner coil 90 with respect to the drive shaft coil 8. When the inner coil 90 is pushed and/or rotated distally with respect to the drive shaft coil 8, the tip 16 is caused to elongate or stretch axially. Thus the tip diameter is reduced. The diameter of tip 16 in this embodiment is a function of the longitudinal displacement between the distal end of the tip at point d, and the proximal end of the tip at point b. Balloon retaining ring 201 is disposed proximal to the weldment region b. The distance between the weldment region b and the distal end of the ring 201 is such that the drive shaft coil 8 is allowed to flex over its length between the balloon and oval tip 16.

Coaxially disposed within the drive shaft coil 8 are flexible catheter tubes 38, 40. The catheter tubes form an annular lumen 206 that serves as the inflation lumen for the balloon 200. A similar inflation lumen is provided for the embodiment of Figure 9. The annular lumen created by the tubes 38, 40 extends from its extreme distal end in the region of epoxy potting material 208 to a point within the drive-control unit 9 that terminates in fluid communication with balloon inflation tube 5a. A plurality of side ports or holes 203, 204, and 205 through the wall of catheter tube 40, within the balloon 200 and between the sealed end attachment points of the balloon to the drive shaft coil, serve to communicate pressured inflation fluid from the lumen 206 to the interior 210 of balloon 200. At the distal ends of the balloon 200 and the catheter tubes 38, 40, epoxy potting material 208 serves to seal the distal end of the annular lumen 206. The potting material also serves to attach the drive shaft coil to the coaxially disposed catheter tubes, the balloon, and the distal retaining ring 201. Similarly, epoxy potting material 209 serves to seal the proximal

end of the balloon 200 at ring 202 and to attach it to the drive shaft coil and the outer surface of the catheter tube 40.

When inflation pressure, as by a saline solution or the like, is applied to balloon inflation tube 5a, the pressure is transmitted through the annular lumen 206, through the side ports 203, 204, 205, and passes through the spaces between the drive shaft coil windings. This inflation pressure is thus applied to the interior 210 of the balloon to cause inflation. When fully inflated, the balloon expands to a diameter suitable to accomplish the objectives of the procedure.

Referring now to Figures 12 and 13, there is shown the preferred embodiment of the combined atherectomy and balloon angioplasty devices of the present invention. As shown, It is preferred that a variable diameter rotatable ablator tip 16 be employed, although a fixed diameter rotatable ablator tip 16a as shown in Figure 9 may also be utilized. The variable diameter tip 16, illustrated in Figures 12 and 13, is substantially the same as that shown in Figure 6 and, therefore, no further description of tip 16 will be given.

An angioplasty balloon 200 is disposed proximately to the tip 16 around the outer cylindrical surface 212 of flexible catheter 14 at its distal end. As in the previous embodiments, balloon 200 is affixed to flexible catheter 14 by balloon retaining rings 201, 202 disposed at the distal and proximal ends, respectively, of balloon 200. The outer cylindrical surface 212 of the distal end of flexible catheter 14 is reduced in diameter from the diameter of the remaining outer cylindrical surface 214 of catheter 14. This reduction in outer diameter allows balloon retaining rings 201, 202 to have an outer diameter which is less than the outer diameter of the remaining cylindrical surface 214 of catheter 14. It should be appreciated that angioplasty balloon 200 may be an integral part of catheter 14 whereby catheter 14 provides means for expanding that portion of catheter 14 which forms angioplasty balloon 200. In such a case, the protective sheath is replaced with a balloon catheter.

As best shown in Figures 16 and 17, a fluid port 216 extends through the wall 218 of flexible outer catheter 14. Fluid passageway 216 extends from drive-control unit 10, shown in Figure 8, to a port 220 communicating with the interior 210 of balloon 200. Passageway 216 communicates pressured inflation fluid from drive control unit 10 to the interior 210 of balloon 200. The proximal end of passageway 216 is communicated with

WO 97/14470

PCT/US96/16724

inlet tube 5a of drive-control unit 10, as shown in Figure 8, whereby hydraulic pressure, using a saline solution or other acceptable fluid as a pressure fluid, may be applied through passageway 216 and into the interior 210 of balloon 200. When fully inflated, the balloon expands to its position at 200a shown in Figure 13 which has a diameter suitable to accomplish the objections of the angioplasty procedure.

Thus, it can be seen that with either the embodiment of Figure 9 or that of Figures 10 and 11 or that of Figures 12 and 13, during any one trip into the occluded vessel, the physician can perform an atherectomy procedure alone with fixed diameter tip 16a or variable diameter tip 16, or a combination of an atherectomy procedure with a balloon angioplasty procedure, *i.e.*, a fixed diameter atherectomy procedure using tip 16a combined with a balloon angioplasty procedure using balloon 200, or a variable diameter atherectomy procedure using tip 16 combined with a balloon angioplasty procedure using balloon 200, in order to produce the best result for the patient.

#### Combined Atherectomy and Stent Implantation Devices

Referring particularly now to Figures 14-18, there is shown an embodiment of the combined atherectomy and stent implantation devices of the present invention, which preferably employs the variable diameter rotatable ablator tip 16. Although it should be appreciated that a fixed diameter ablator tip may be used. Variable diameter tip 16 may be formed of a coil having one continuous strand wound into a helix, or a plurality of strands wound into a plurality of intertwined helices, such as the quadrafiliar coil shown in Figure 3, or it may take the form of a deposited metal coil such as shown in Figure 7, or it may take on other suitable coil shapes as stated earlier. The tip 16, shown in Figures 14-18, is similar to the tip 16 shown in Figure 6. As shown in Figure 6, the oval tip 16 is a spiral wire forming helical wire strands which are in engagement during expansion and contraction. The spiral wires forming coil 20 form a continuous abrasive surface for engagement with the occluded area in the vessel. It should be appreciated that although a spiral wire is shown making up coil 20, the coil may be a double mesh such as is shown in U.S. Patent 4,650,466 or 4,885,003. The coil may be multifilar such as the quadrafiliar coil illustrated in Figure 3 or may include some other configuration including a braided wire such as disclosed in PCT International Publication WO 94/24946 published on November 10, 1994 and PCT International Publication WO 94/10919 published on May 26, 1994. Thus,

when stretched and/or rotated, oval tip 16 will elongate and its maximum diameter will be reduced in proportion to the extent of the elongation causing tip 16 to be varied in diameter and length.

It should be appreciated that the variable diameter tip 16 may be expanded and retracted through the rotation of inner coil 90 which is attached to the distal end of tip 16, with respect to drive coil 8, which is attached to the proximal end of variable tip coil 16. By rotating the distal end with respect to the proximal end, the variable diameter tip 16 may be elongated upon rotation in one direction and contracted by rotation in the opposite direction.

The stent 230 is made of wire in a configuration which allows the wire to be expanded in the radial direction. As shown in Figure 14, the stent 230 may comprise a plurality of sections 232 that are generally perpendicular to the longitudinal axis 234 of the stent 230. Adjacent curved sections 232 are joined by bends 236. A loop 235 is formed at each free end of the stent 230 in order to shield the wire end. The curved sections 232 are formed into a circular configuration so that the stent 230 has a cylindrical opening therethrough. It should be appreciated that various stent forms may be used in the present invention examples of which are the Schneider Wallstent manufactured by Pfizer Schneider and described in Schneider brochure 3/90, the J & J stent manufactured by Johnson & Johnson which is used bare, and the Cook GRII Stent manufactured by Cook, Incorporated, all incorporated herein by reference.

The wire comprising the stent 230 is made of a malleable material, preferably from the group comprising annealed stainless steel, tungsten and platinum. This malleable material is sufficiently deformable to allow the loops 238 to diverge due to radially outward pressure applied by the inflation of the membrane that comprises the standard balloon 240. Because the material of stent 230 is plastic, rather than elastic, it retains the enlarged diameter after the balloon 240 is deflated and the catheter 14 removed. However, the material has sufficient strength and stiffness to avoid the stent 230 being displaced on the balloon during 240 insertion and to avoid the loops 238 being forced into an overlying relation. Further, the stent 230 has sufficient strength and stiffness to allow it to maintain its position in the passageway and to resist being dislodged after the catheter 14 has been removed and the balloon 240 is no longer stabilizing the stent 230.

The curved sections 232 and the bends 236 form a series of alternating clockwise and counterclockwise loops 238. In the contracted condition of the stent 230, the loops 238 overlap longitudinally, as demonstrated by the overlapped region shown in Figure 14. Thus, the overlapped region gives the appearance that the stent 230 is a continuous circular ring when viewed from an end, although when viewed as in Figures 14 and 15, it is apparent that the cylindrical shape of the stent 230 is discontinuous.

The stent 230 is secured around the distal end of catheter 14 which has an inflatable balloon adhered thereon surrounding a feed orifice 250 in the catheter 14. The balloon 240 is a folded balloon in which flaps of the balloon 240 are folded over the catheter 14, as shown in Figure 14. The folded flaps allow the balloon 240 to inflate to a specific diameter as shown in Figure 15 without excessively stretching the balloon material and risking a rupture of the balloon.

The stent 230 is compressed about the catheter 14 and balloon 240 so that it assumes a contracted outer dimension, which is calibrated to allow insertion into a particular body passageway. The clockwise and counterclockwise loops 238 overlap in the region 242, and the spring stiffness of the wire keeps the stent 230 in this position during insertion. The stent 230 remains in tight contact with the catheter 14 even as the assembly is delivered around curves and bends in a body passageway.

The sheath or flexible protective catheter 14 has one end attached to drive-control unit 10 and extends to a location proximal to the oval tip 16. Flexible outer catheter 14 includes a central bore 248 which receives outer drive shaft coil 8 which in turn receives inner coil 90. Inner coil 90 forms the central lumen 64 which in turn receives guide wire 12. The distal end 252 of outer catheter 14 has a reduced outer diameter for receiving the balloon 240 and stent 230. Catheter 14 includes a transitional portion 254 which extends from the reduced diameter distal end 252 to the larger diameter of the remaining portion 256 of catheter 14 that extends to drive-control unit 10. Transitional portion 254 is shown tapered in Figures 16 and 17 but also may be an abrupt transition and form an annular shoulder such as shown in Figure 13 with respect to the angioplasty balloon 200.

A fluid passageway 260 extends from feed orifice or port 250 at the intersection of reduced diameter end 252 and transition portion 254 of catheter 14 to drive-control unit 10 where passageway 260 is in fluid communication with balloon inlet tube 5a. Fluid passageway 260 communicates pressurized inflation fluid from drive-control unit 10 to the

interior of balloon 240. Hydraulic pressure, using a saline solution or other acceptable fluid as a pressure fluid, is applied from inlet tube 5a of control-unit 10 through passageway 260 and into the interior of balloon 200. When fully inflated, the balloon 240 expands too and in turn expands surrounding stent 230 to a diameter which is suitable to accomplish the objectives of the stent implantation procedure.

It should be appreciated that the bore 248 of outer catheter 14 need not be centrally located within catheter 14 as shown in Figure 17. Referring to Figure 18, low bore 248 may be offset from the central axis of catheter 14 to provide a greater wall thickness at one side of catheter 14 within which to locate fluid passageway 260.

The distal end 244 of the balloon 240 is disposed proximally to the oval tip 16 either on the drive cable 8 or on part of the protective catheter 14 and is attached by balloon retaining ring 201. The proximal end 246 of the balloon 240 is similarly attached to the catheter 14 by balloon retaining ring 202. The balloon retaining rings 201, 202 are preferably made of material such as a platinum-iridium alloy or the like. In addition to assisting in balloon affixation, the rings serve as markers to enhance fluorization visualization and facilitate placement of the stent 230 at the desired site. Another means includes the use of a flexible adhesive, such as urethane-based epoxy or the like, and a distal retaining ring marker which is wedged over and disposed circumferentially about the distal attachment of the balloon 240 to the catheter 14. Other types of bonding are well known in the art and may be used including laser bonding for attaching the ends of balloon 240 to catheter 14.

The orifice 250 in outer catheter 14 is located between balloon retaining rings 201, 202 as best shown in Figures 16 and 17. As pressure is applied through fluid passageway 260 and catheter 14, the fluid passes through orifice 250 and into the interior of balloon 240. As pressure is applied to the underside of balloon 240, balloon 240 expands thereby expanding stent 230 radially outward.

The balloon 240 may be made of PE, nylon, or other material as commonly found in balloons for stents. The axial length of the balloon 240 is preferably longer than that of the axial length of the stent 230, but may be provided in additional or different or varying lengths that more adequately respond to the combined application of atherectomy and stent implantation in a single procedure, as may apply to coronary or peripheral procedures. The balloon inflated diameters are provided in a range of sizes for a given



size stent to accommodate the specific procedure requirements, as is common in conventional stent implantation procedures.

It is desirable that the overlap region in the contracted position be sufficiently large so that the stent 230 has a high contact area with the catheter 14, providing additional protection against the stent 230 becoming dislodged while the assembly is inserted. In the expanded condition, the overlap region 242 should be sufficiently large to provide continuous circumferential support for the passageway in which the stent 230 is inserted.

After the ablator tip 16 and stent 230 are fully inserted into the passageway of the vessel, the ablator tip 16 is rotated to remove the occlusion within the passageway of the vessel. Upon completing the removal of the occlusion, as previously described in detail herein, the stent 230 is located in the vessel adjacent the occluded area. The balloon 240 is then inflated to a diameter which is calibrated to force the stent 230 into contact with the inner surface of the passageway and, at least in some cases, to expand the passageway. As the balloon 240 is inflated, the clockwise and counterclockwise loops 238 diverge circumferentially until the longitudinal overlap between loops is reduced to the region 242 shown in Figure 15. Thus, the effective diameter of the stent 230 relative to the longitudinal axis 234 is increased without thermal expansion or application of torsional forces to the stent 230.

Although the means for implanting the stent is preferably the use of a balloon, there are many other ways of implanting a stent within a vessel of the body. An inflatable stent is shown in U.S. Patent No. 5,370,691, incorporated herein by reference. Further, the stent may be made of a memory coil which is inserted into the vessel such that upon allowing the stent to change temperature, such as increasing in temperature, the stent expands. See U.S. Patents 4,503,569 and 4,512,338, both incorporated herein by reference. Still another method of expanding a stent includes the use of electrical conductors which supply electrical energy for heating the stent after it has been implanted. See U.S. Patent 3,868,956, incorporated herein by reference. It may also be possible to expand the stent mechanically. See U.S. Patents 4,665,918; 5,306,294; and 5,372,600, all incorporated herein by reference. Note particularly the stent delivery mechanism of the Schneider Wallstent where the stent is compressed within a sheath and is deployed upon releasing the stent from the sheath. In addition, other types of balloon catheters have been

WO 97/14470

PCT/US96/16724

used for implanting and expanding a stent. See U.S. Patents 4,637,396; 4,733,665; 4,878,906; 4,950,227; and 4,969,458.

While a preferred embodiment of the invention has been shown and described, modifications thereof can be made by one skilled in the art without departing from the  
5 spirit of the invention.

**THE EMBODIMENTS OF THE INVENTION IN WHICH AN EXCLUSIVE PROPERTY OR PRIVILEGE IS CLAIMED ARE DEFINED AS FOLLOWS:**

1. An apparatus for removing an obstruction and supporting a vessel in one introduction of the apparatus into the vessel, comprising:
  - a tubular member having an end;
  - an expandable stent disposed on the end of said tubular member;
  - an expandable member disposed between said tubular member and said expandable stent;
  - a rotating member extending through said tubular member and being rotatable within said tubular member; and
  - an abrasive member attached to said rotating member.
2. The apparatus of claim 1 wherein said expandable member expands beneath said expandable stent to enlarge the circumference of said expandable stent.
3. An apparatus for removing an obstruction and supporting vessel, comprising a tubular member;
  - a tubular member;
  - a hollow rotating member rotatably disposed within said tubular member;
  - an abrasive member disposed on the end of said rotating member and forming an expandable circumferential outer surface;
  - said expandable circumferential outer surface having an abrasive surface covering at least part of said outer surface;
  - a movable member disposed within said rotating member;
  - said abrasive member having one end fixed to said movable member and another end fixed to said rotating member; and
  - an expandable stent disposed on said tubular member; and
  - an actuation member disposed adjacent said expandable stent expanding said expandable stent.
4. The apparatus of claim 3 wherein said abrasive member is helically wound.

- 2 -

5. The apparatus of claim 3 further including stops on said abrasive member and movable member which engage upon the circumference of said outer surface reaching a predetermined size.
6. The apparatus of claim 3 wherein said actuation member is an expandable member disposed beneath said stent whereby upon expanding said expandable member, said stent is expanded into supporting engagement with the vessel.
7. The apparatus of claim 6 wherein said expandable member is a balloon.
8. The apparatus of claim 7 wherein said tubular member includes a fluid passageway for inflating said balloon.
9. The apparatus of claim 3 wherein said stent is a memory coil.
10. The apparatus of claim 1 wherein said tubular member includes a tubular wall having an aperture through the longitudinal length thereof and at least one port extending perpendicularly through said wall beneath said expandable member.
11. The apparatus of claim 8 wherein said tubular member includes a tubular wall having an aperture through the longitudinal length thereof and at least one port extending perpendicularly through said wall beneath said expandable member.

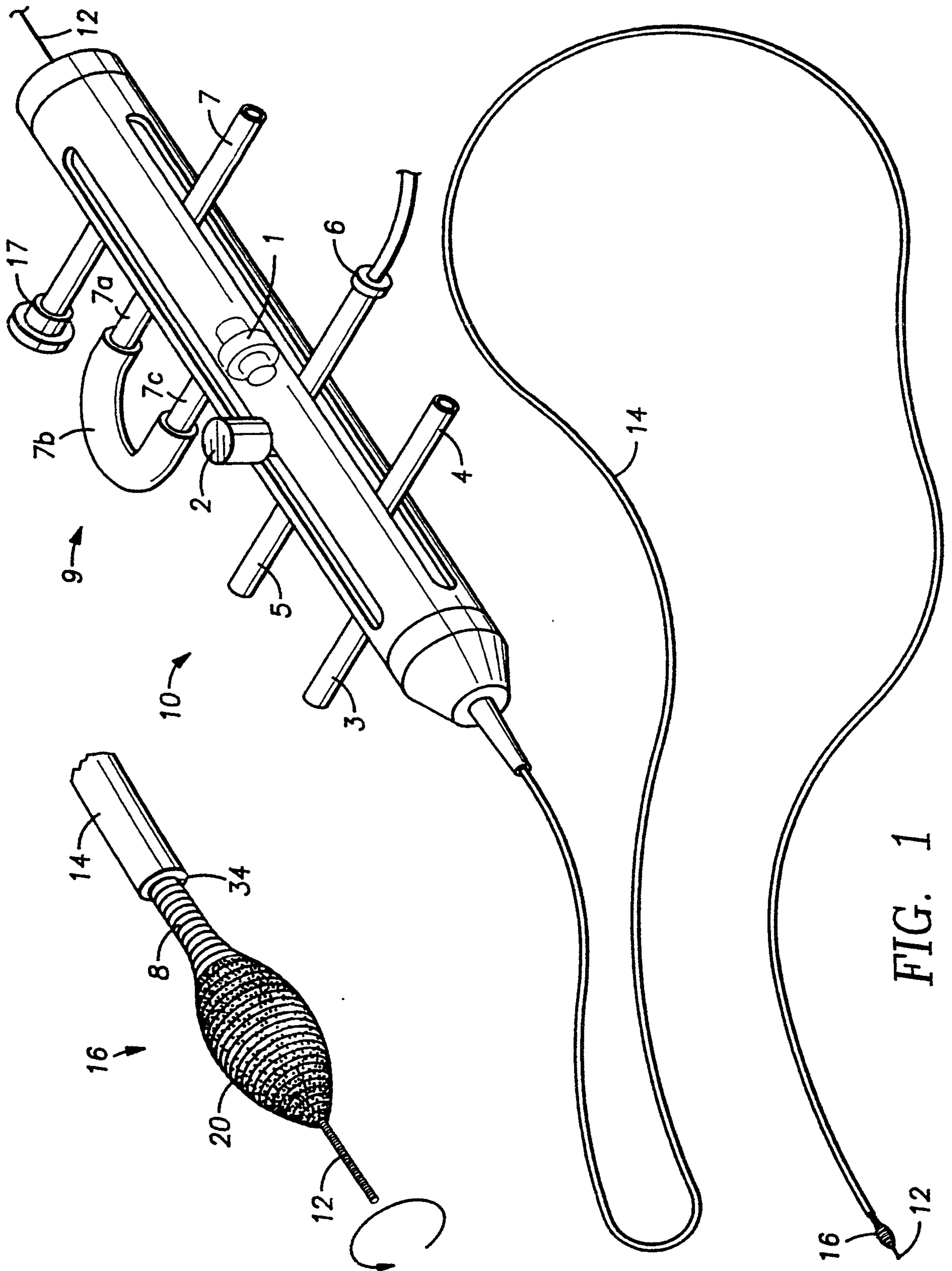


FIG. 1

2/15

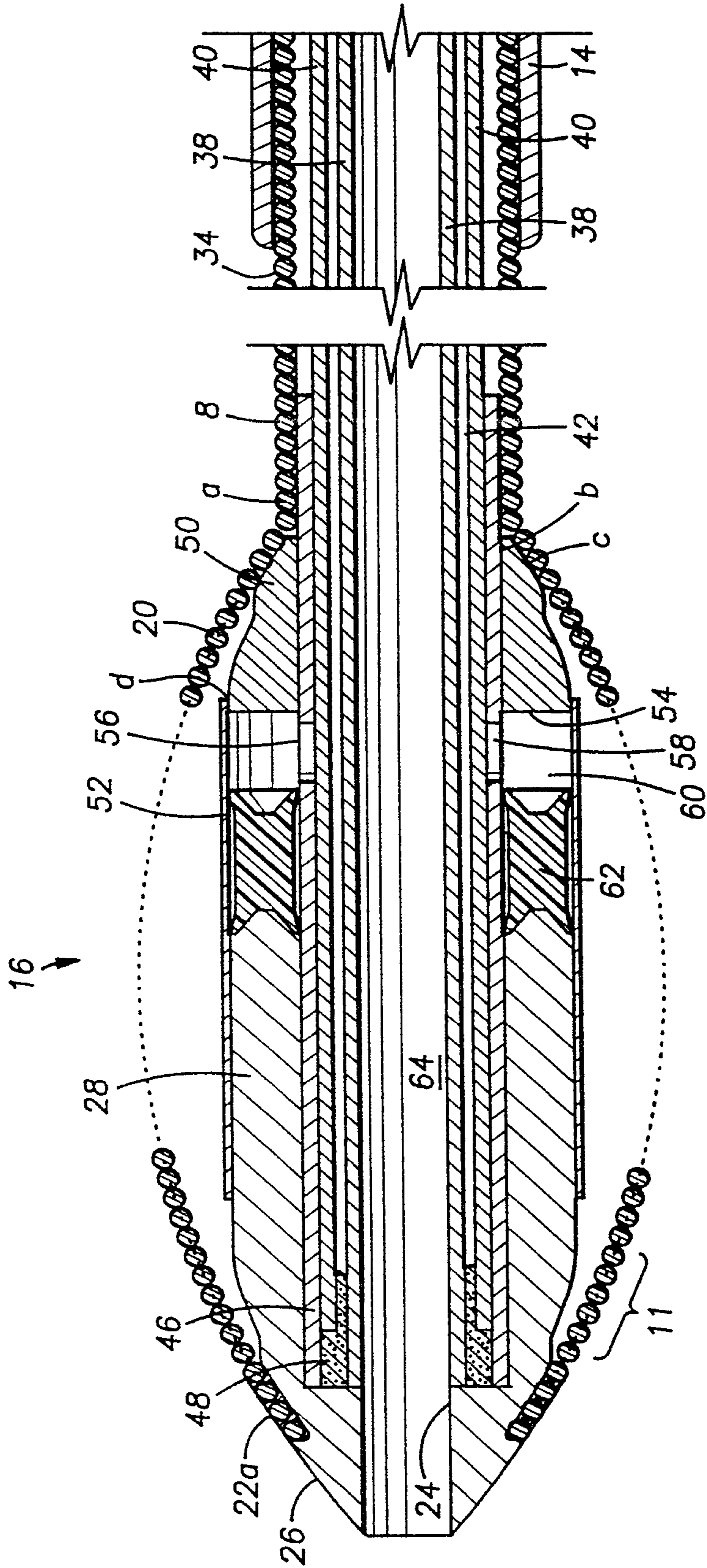


FIG. 2

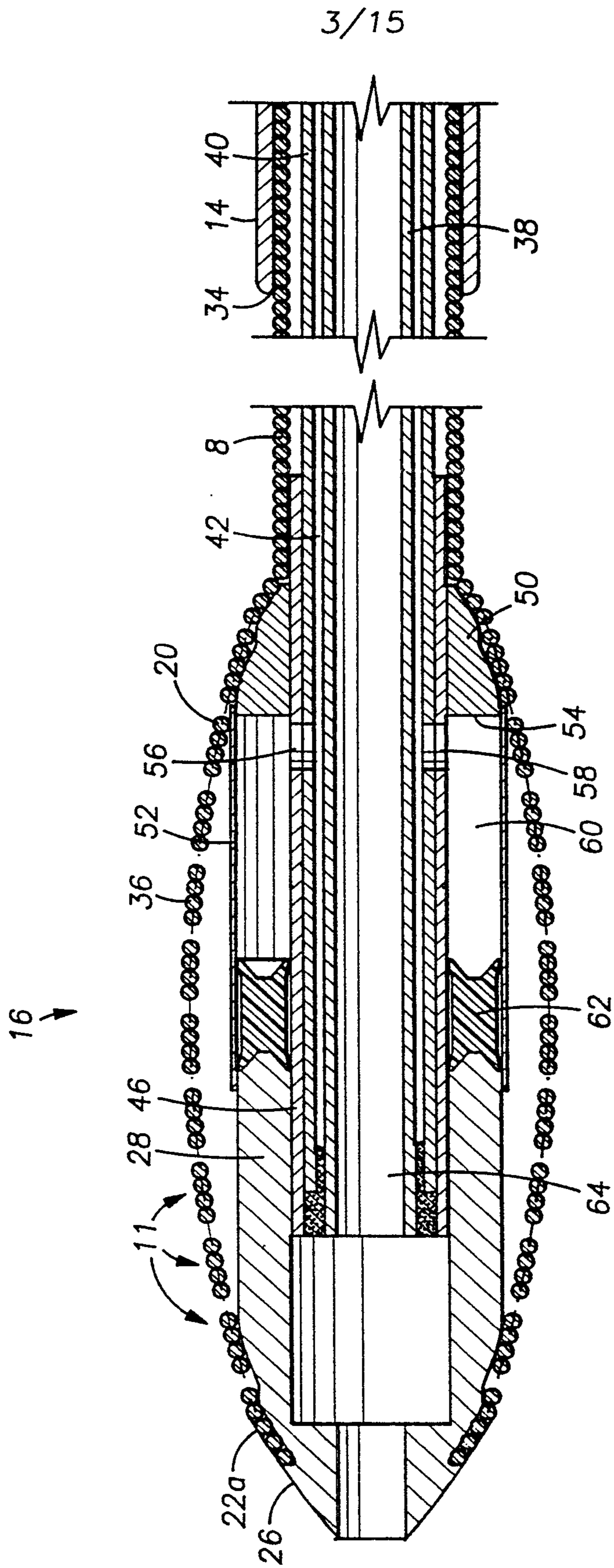


FIG. 3

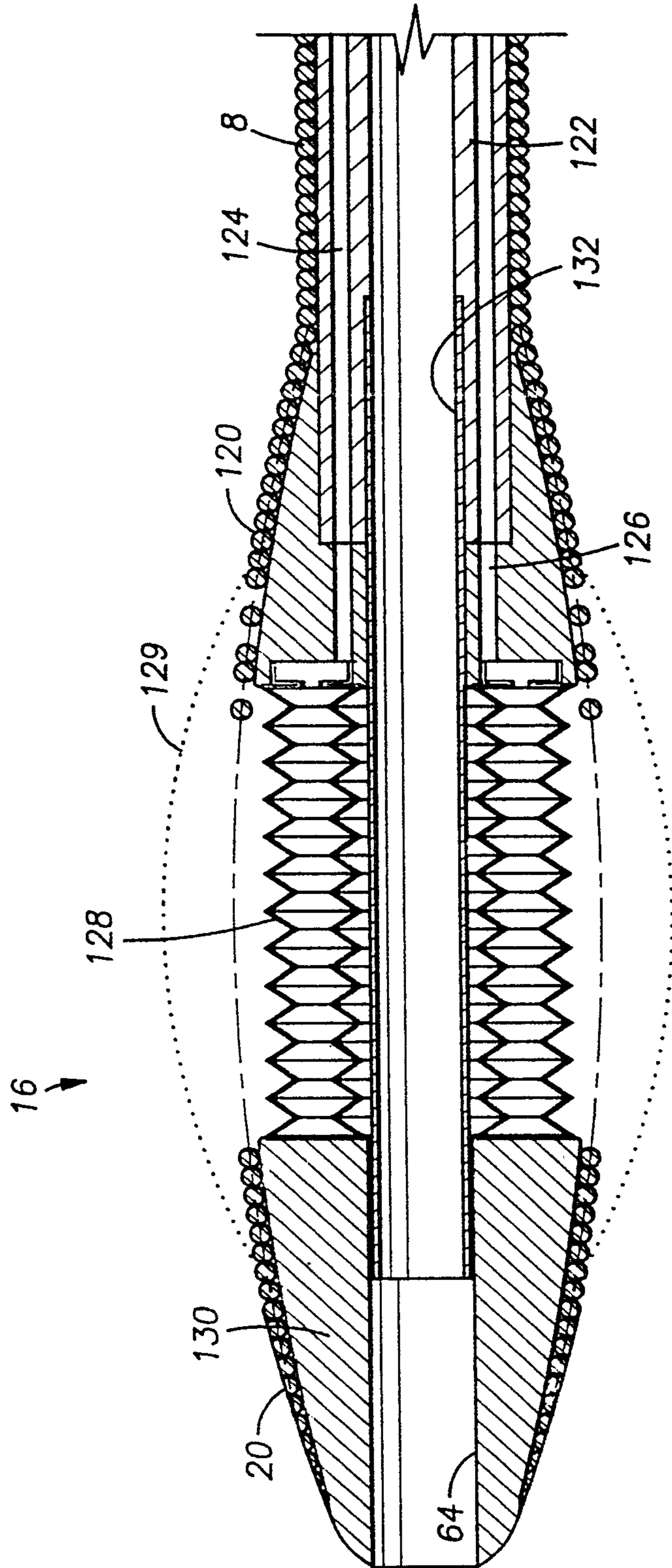


FIG. 4



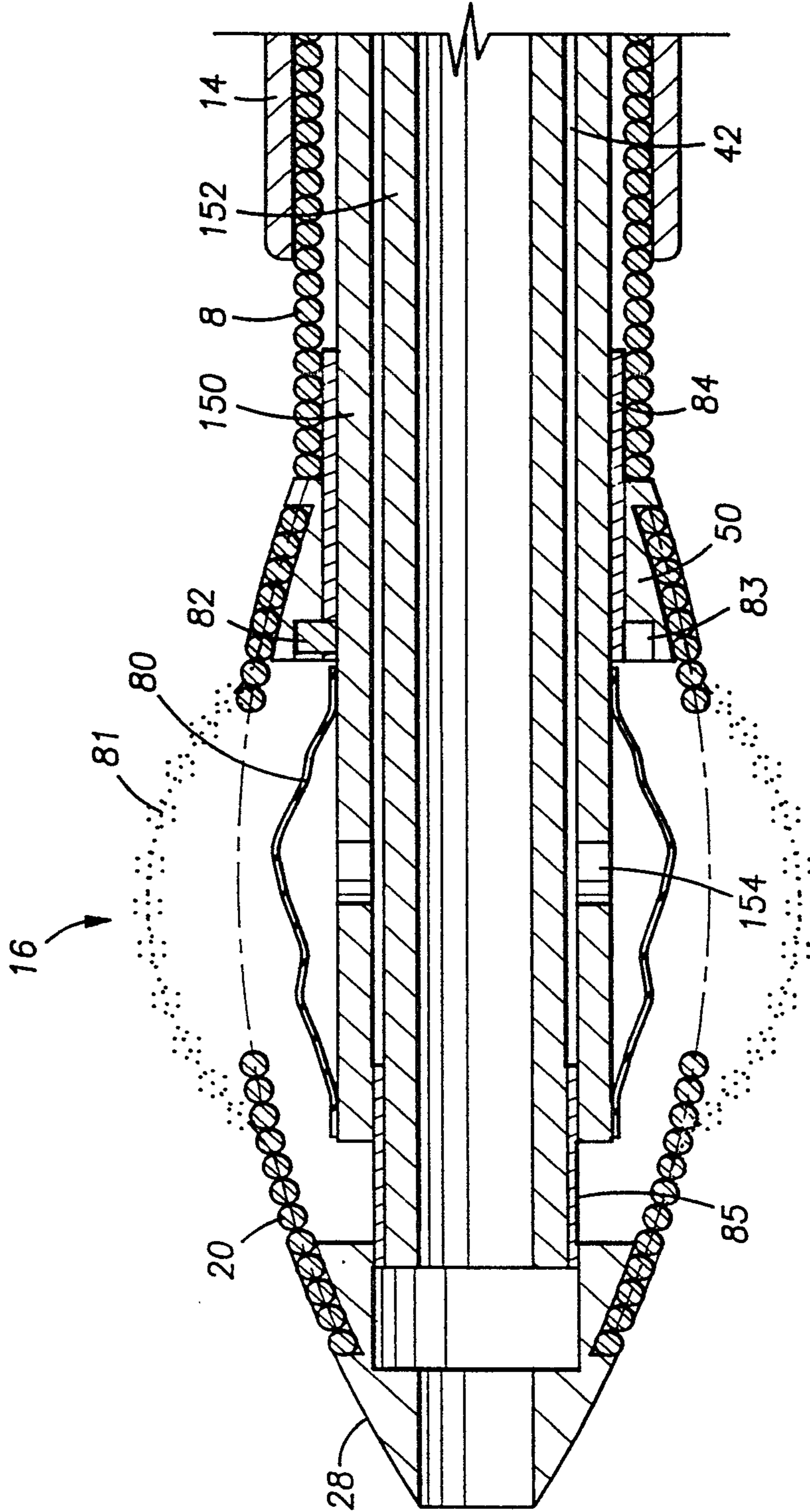


FIG. 5

6/15

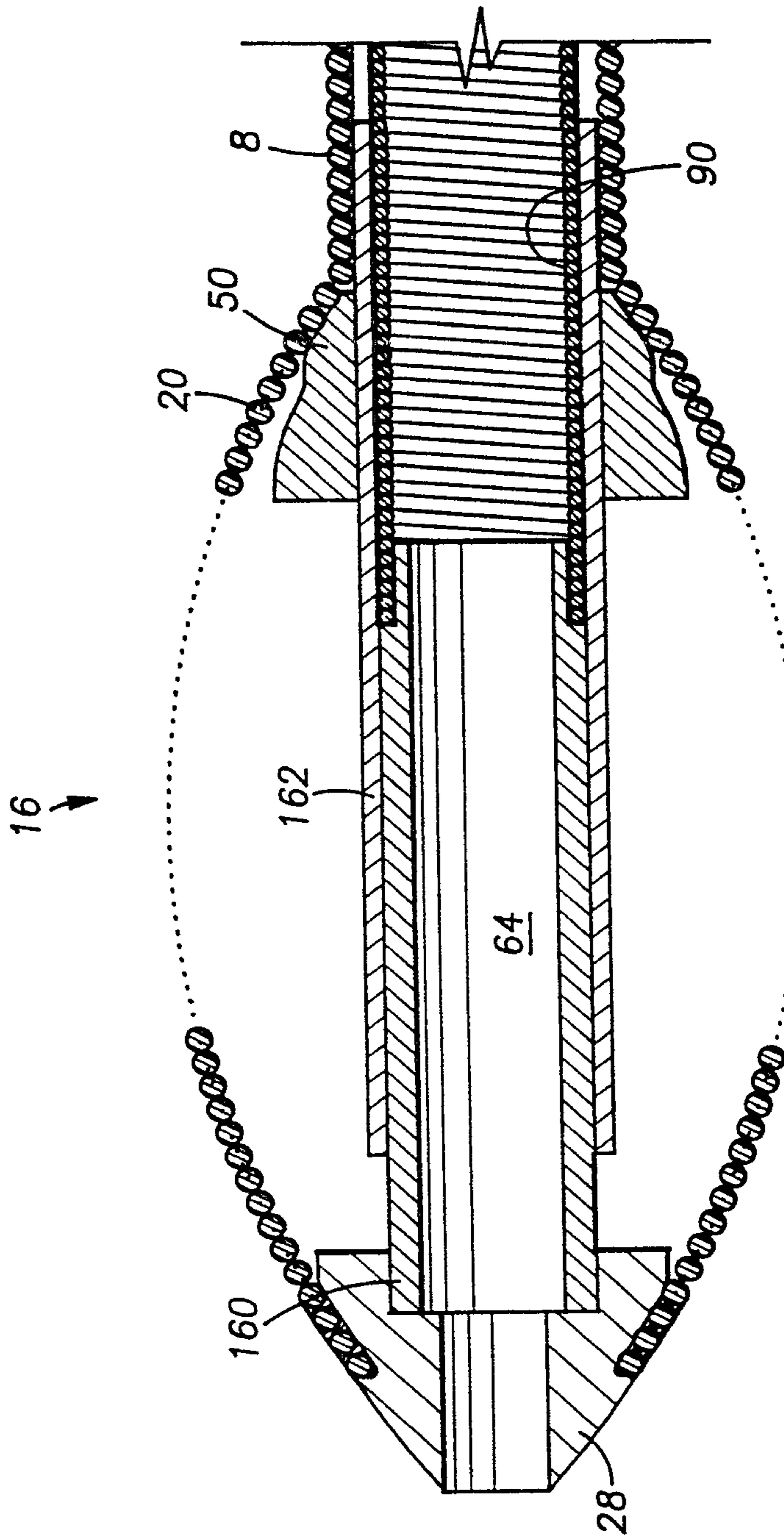


FIG. 6

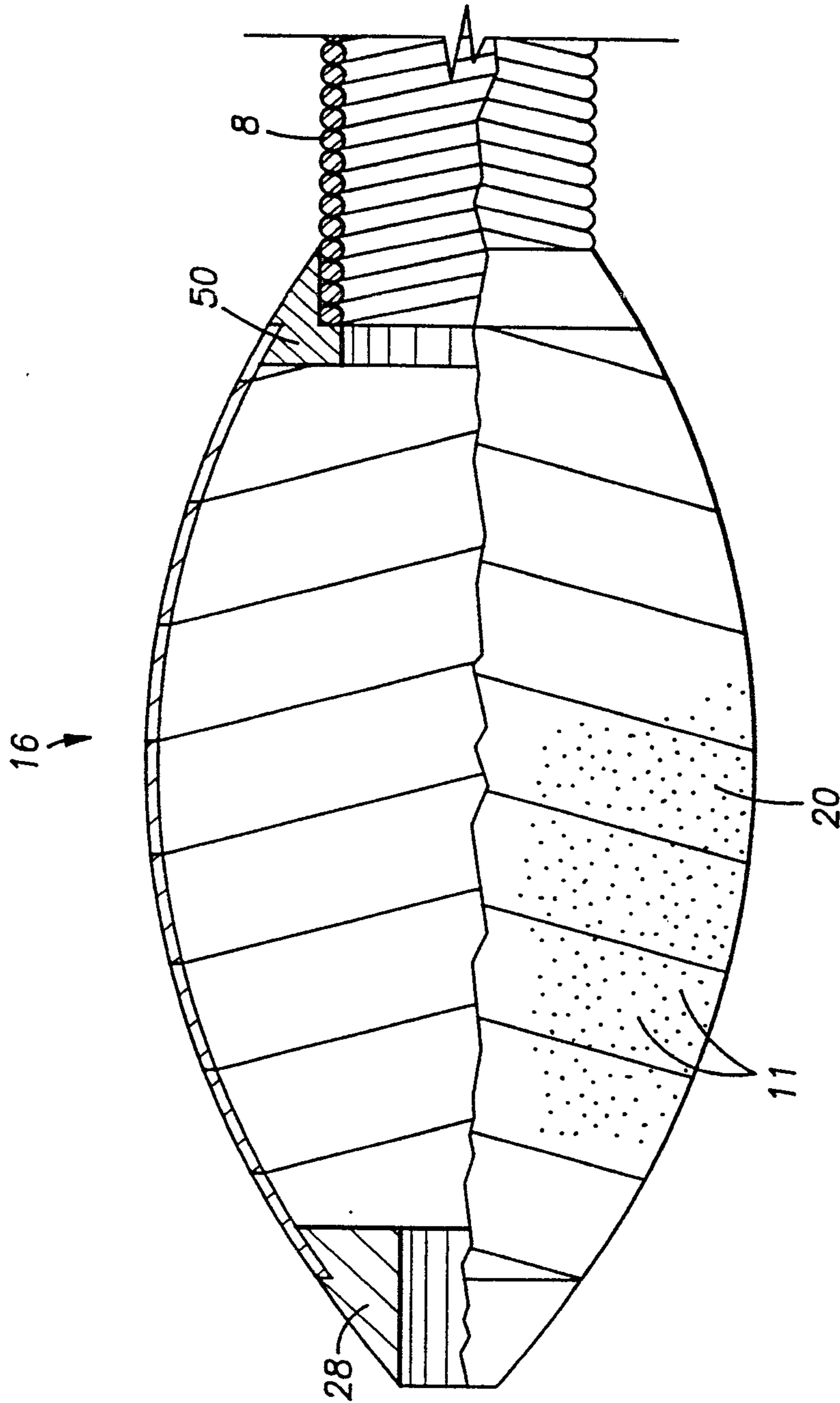


FIG. 7

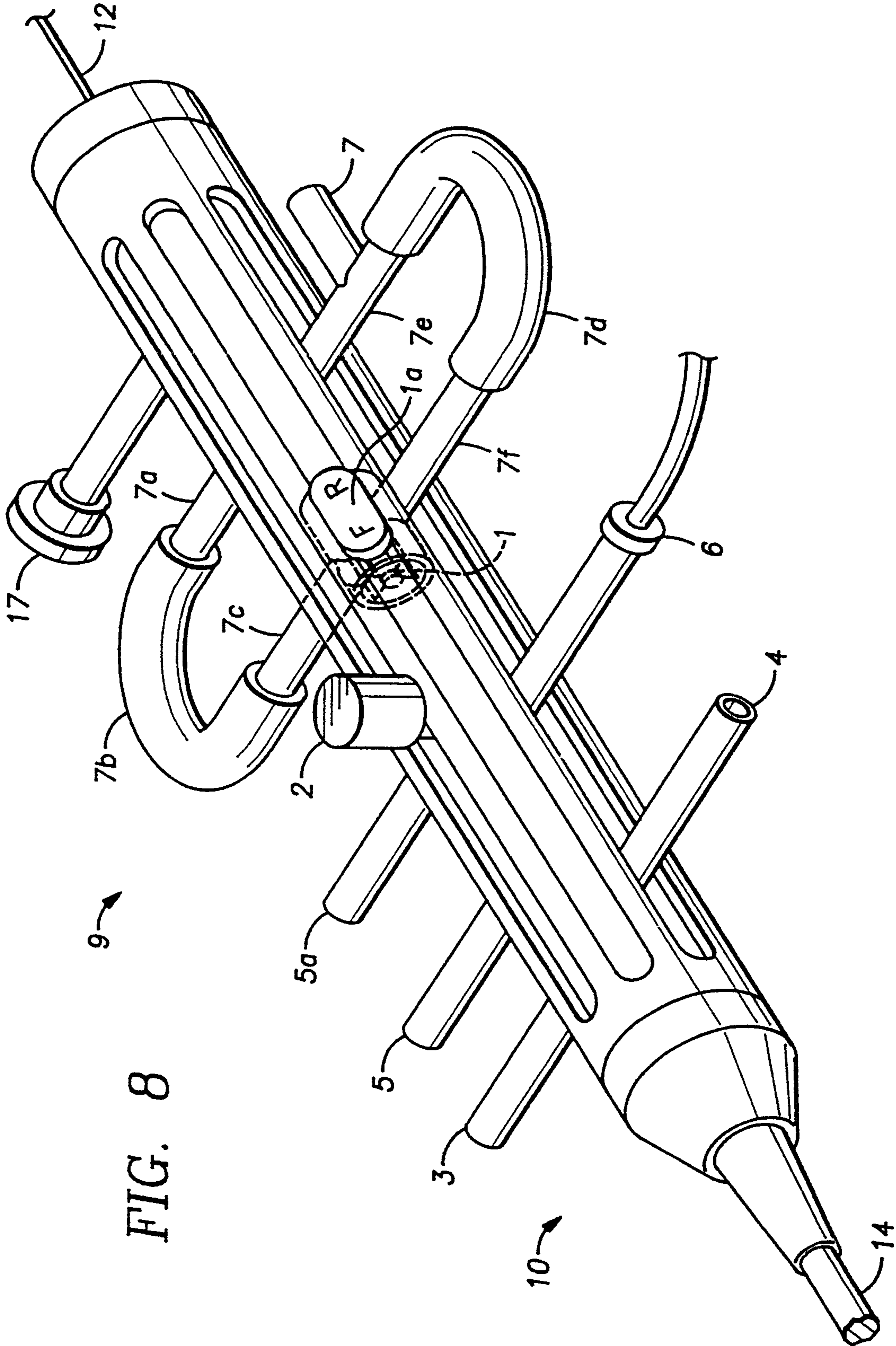


FIG. 8

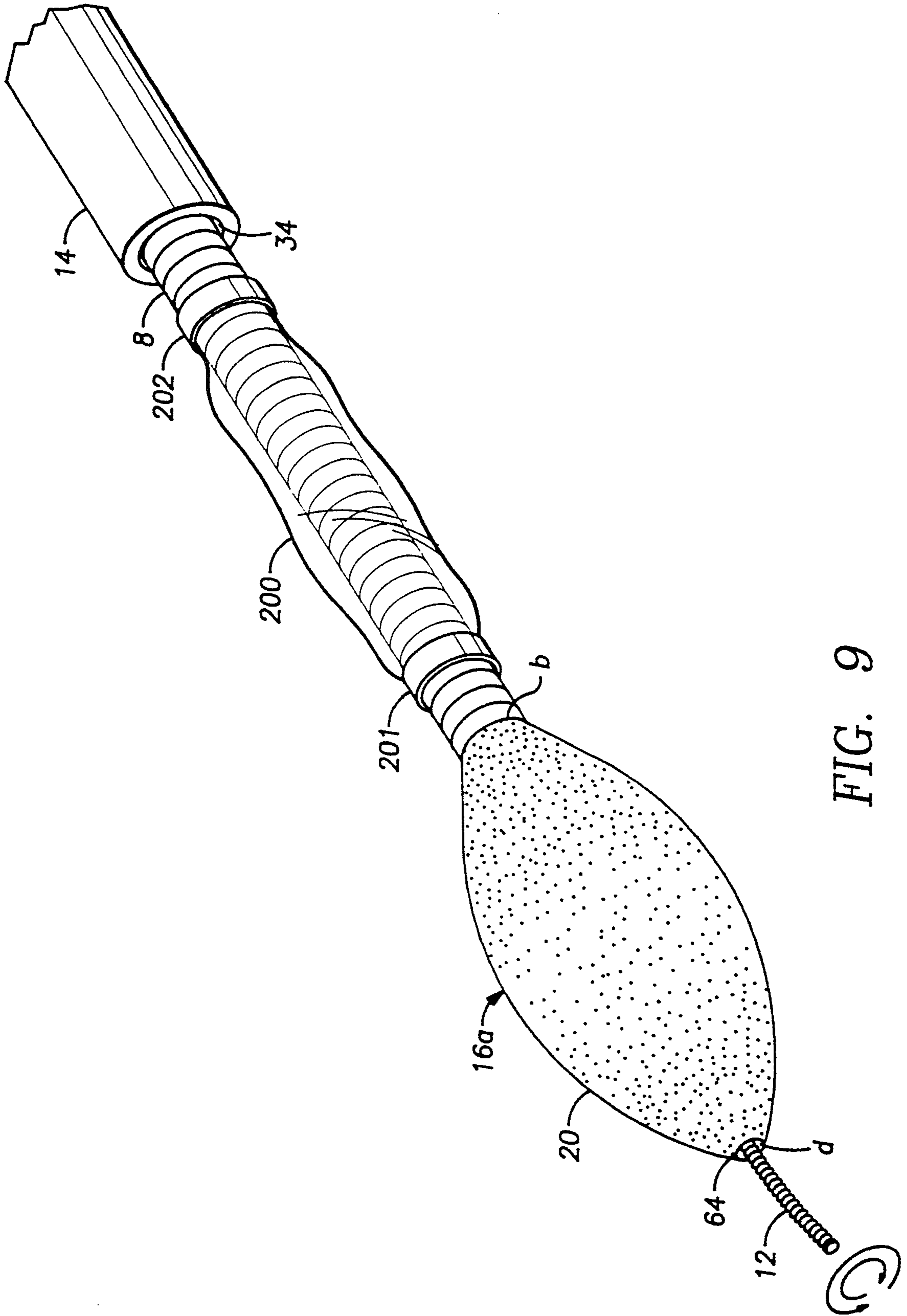


FIG. 9

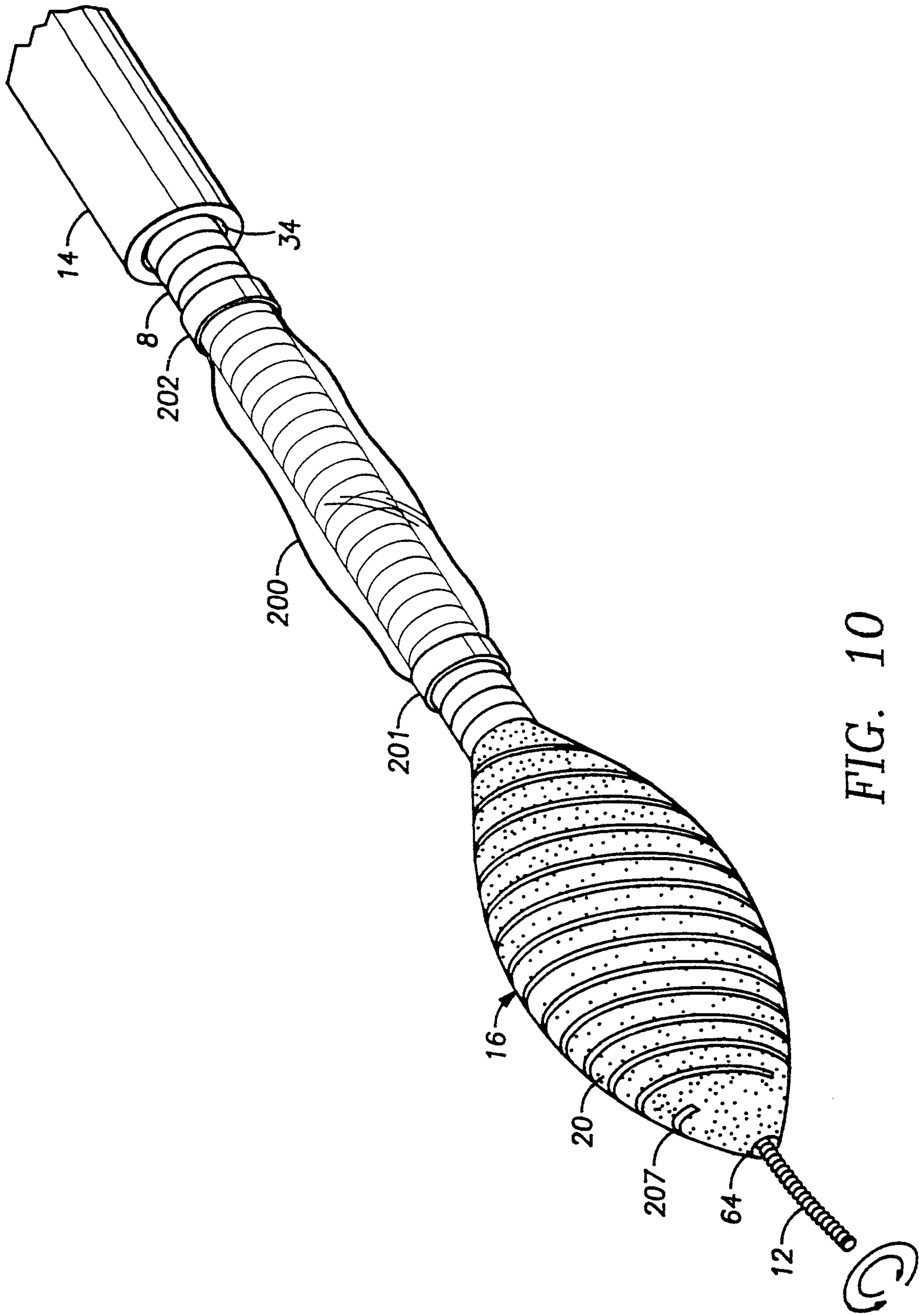


FIG. 10

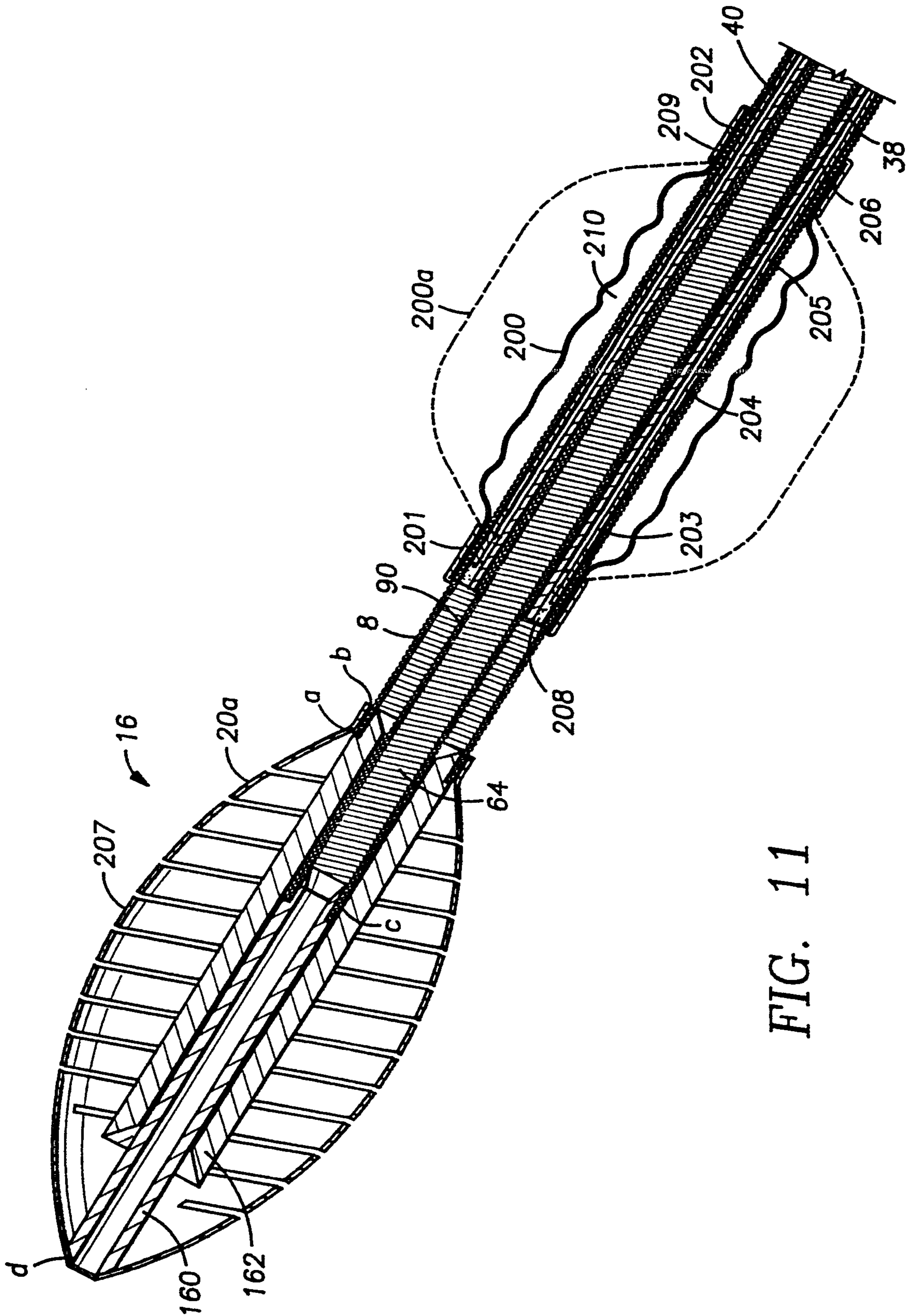


FIG. 11

12/15

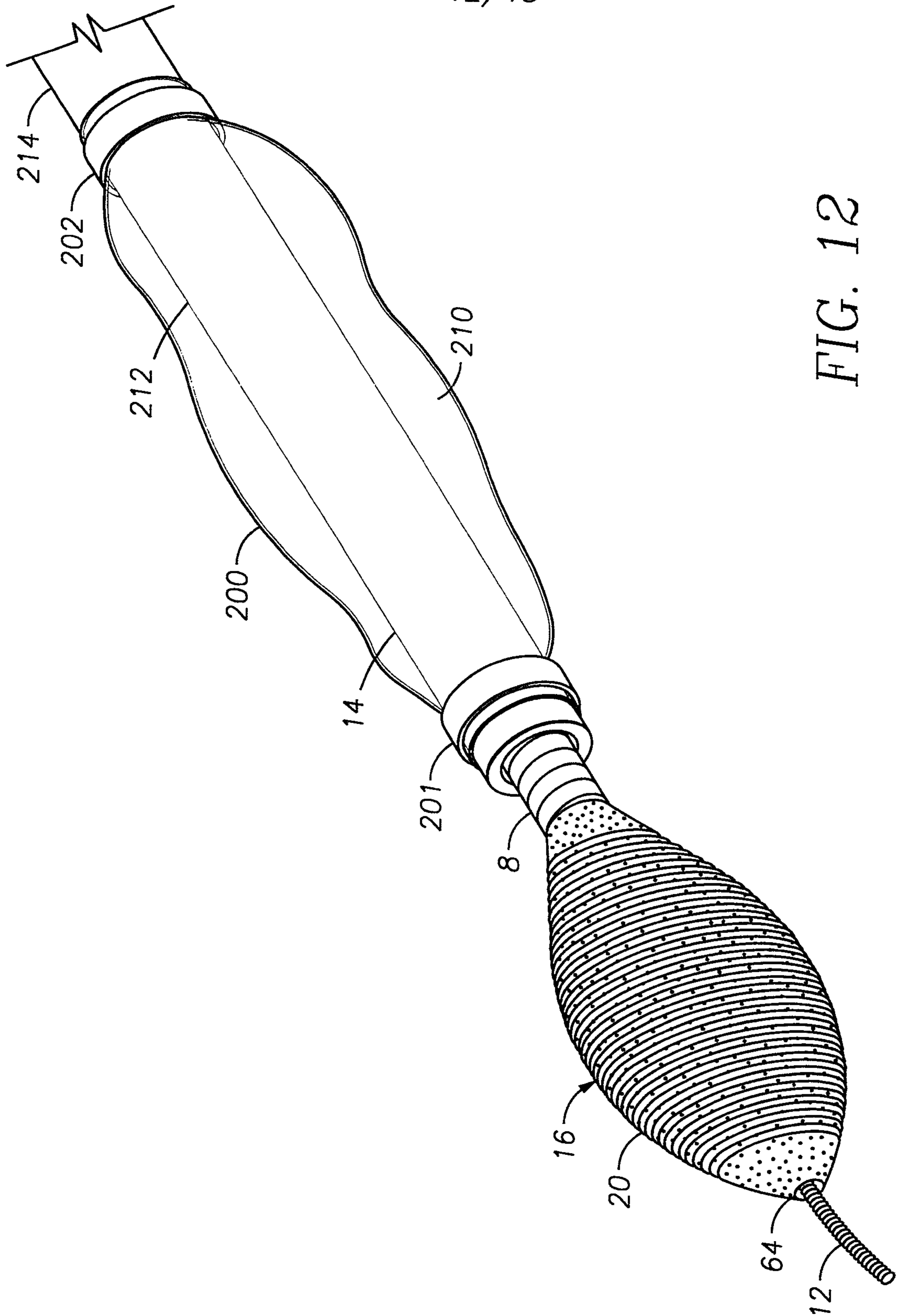


FIG. 12



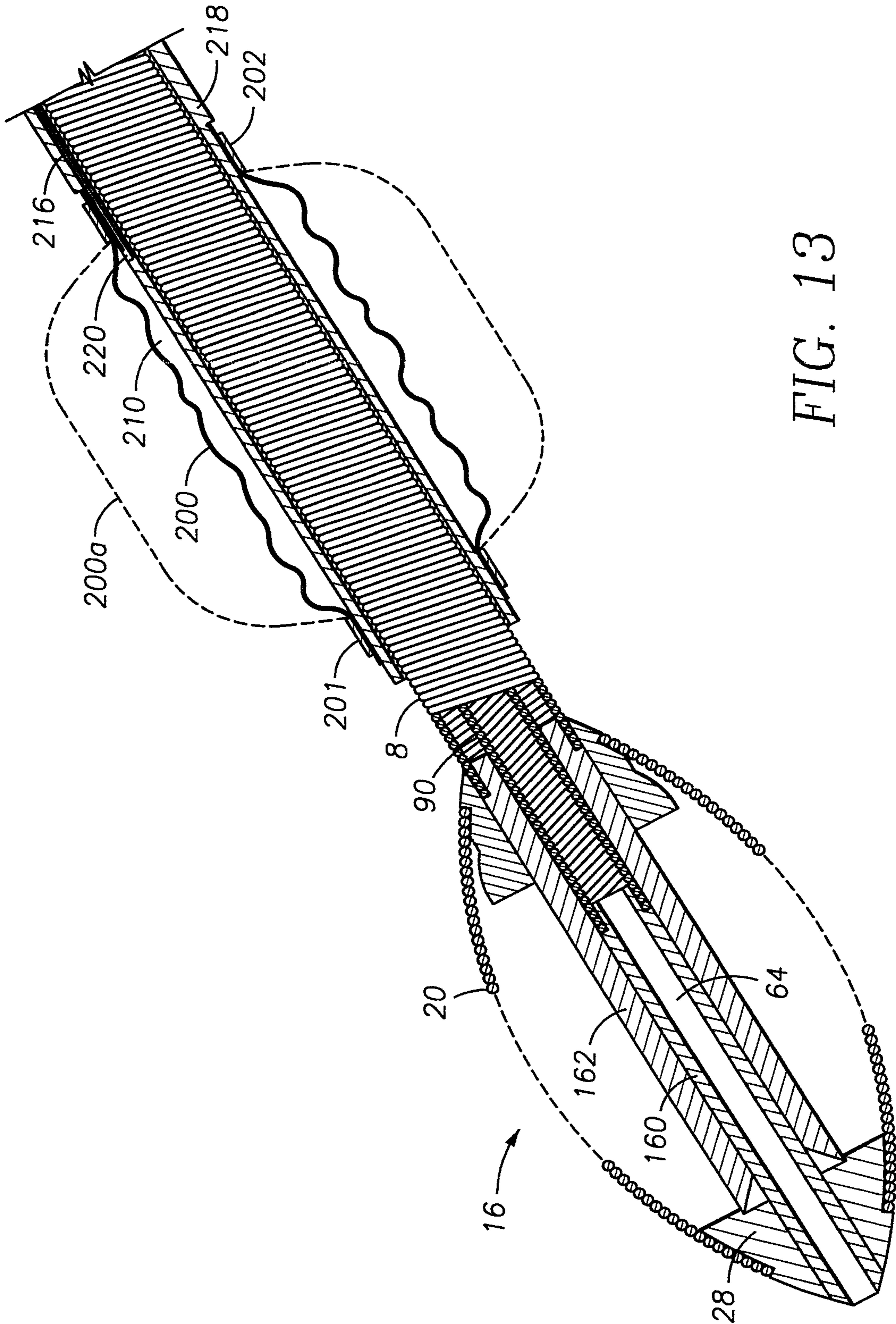


FIG. 13

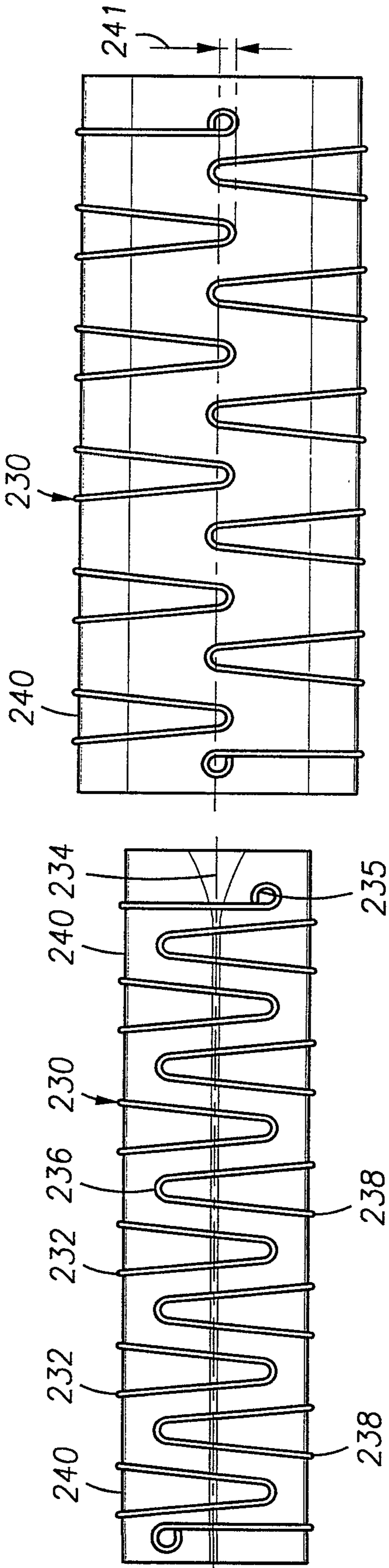


FIG. 14

FIG. 15

14/15

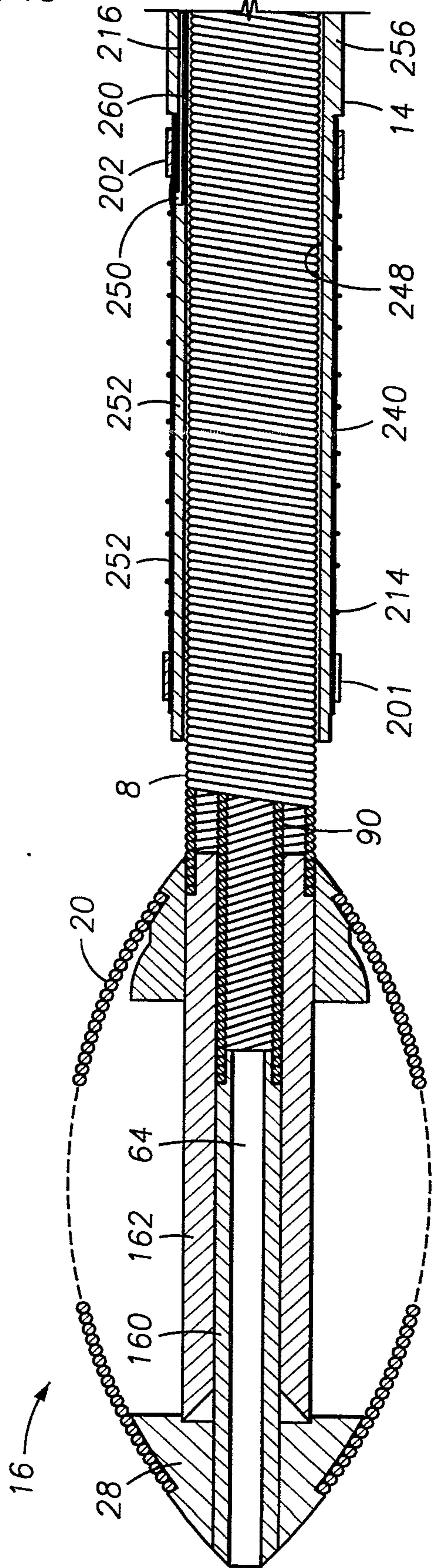


FIG. 17

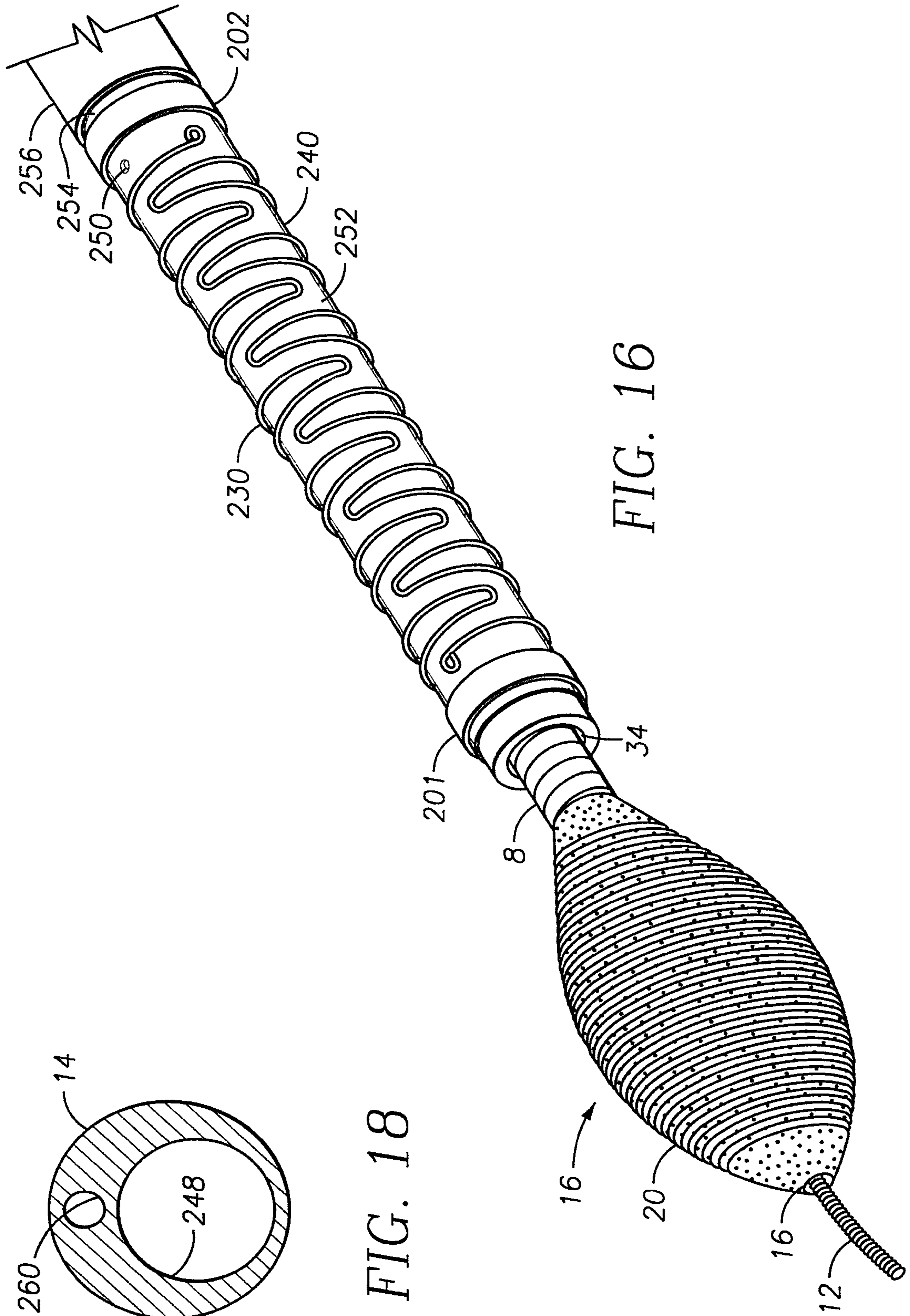


FIG. 16

FIG. 18

