

(19) World Intellectual Property Organization
International Bureau



(43) International Publication Date
4 January 2007 (04.01.2007)

PCT

(10) International Publication Number
WO 2007/001584 A3

- (51) International Patent Classification:
G06F 1/26 (2006.01)
- (21) International Application Number:
PCT/US2006/012831
- (22) International Filing Date: 7 April 2006 (07.04.2006)
- (25) Filing Language: English
- (26) Publication Language: English
- (30) Priority Data:
11/165,798 24 June 2005 (24.06.2005) US
- (71) Applicant (for all designated States except US): **POWER-ONE, INC.** [US/US]; 740 Calle Plano, Camarillo, California 93012 (US).
- (72) Inventors; and
- (75) Inventors/Applicants (for US only): **CHAPUIS, Alain** [CH/CH]; Reidikerstrasse 86a, CH-8616 Riedikon (CH). **GUZ, Mikhail** [US/US]; 15 Lakemont Drive, Daly City, California 94015 (US). **ROARK, Dennis, R.** [US/US]; 4003 Huntclub Court, Agoura, California 91301 (US).
- (74) Agent: **BERLINER, Brian, M.**; O'MELVENY & MYERS LLP, 400 South Hope Street, Los Angeles, CA 90071-2899 (US).

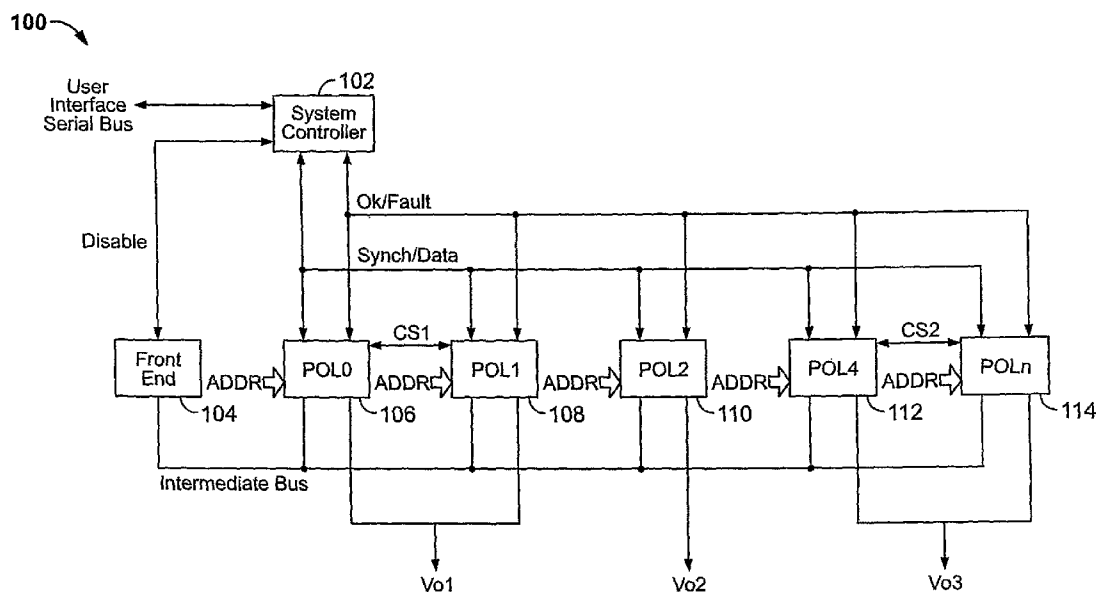
- (81) Designated States (unless otherwise indicated, for every kind of national protection available): AE, AG, AL, AM, AT, AU, AZ, BA, BB, BG, BR, BW, BY, BZ, CA, CH, CN, CO, CR, CU, CZ, DE, DK, DM, DZ, EC, EE, EG, ES, FI, GB, GD, GE, GH, GM, HR, HU, ID, IL, IN, IS, JP, KE, KG, KM, KN, KP, KR, KZ, LC, LK, LR, LS, LT, LU, LV, LY, MA, MD, MG, MK, MN, MW, MX, MZ, NA, NG, NI, NO, NZ, OM, PG, PH, PL, PT, RO, RU, SC, SD, SE, SG, SK, SL, SM, SY, TJ, TM, TN, TR, TT, TZ, UA, UG, US, UZ, VC, VN, YU, ZA, ZM, ZW.
- (84) Designated States (unless otherwise indicated, for every kind of regional protection available): ARIPO (BW, GH, GM, KE, LS, MW, MZ, NA, SD, SL, SZ, TZ, UG, ZM, ZW), Eurasian (AM, AZ, BY, KG, KZ, MD, RU, TJ, TM), European (AT, BE, BG, CH, CY, CZ, DE, DK, EE, ES, FI, FR, GB, GR, HU, IE, IS, IT, LT, LU, LV, MC, NL, PL, PT, RO, SE, SI, SK, TR), OAPI (BF, BJ, CF, CG, CI, CM, GA, GN, GQ, GW, ML, MR, NE, SN, TD, TG).

Published:
— with international search report

(88) Date of publication of the international search report:
12 April 2007

[Continued on next page]

(54) Title: METHOD AND SYSTEM FOR CONTROLLING AND MONITORING AN ARRAY OF POINT-OF-LOAD REGULATORS



(57) Abstract: A power control system comprises a plurality of POL regulators, at least one serial data bus operatively connecting the plurality of POL regulators, and a system controller connected to the serial data bus and adapted to send and receive digital data to and from the plurality of POL regulators. The serial data bus further comprises a first data bus carrying programming and control information between the system controller and the plurality of POL regulators. The serial data bus may also include a second data bus carrying fault management information between the system controller and the plurality of POL regulators. The power control may also include a front-end regulator providing an intermediate voltage to the plurality of POL regulators on an intermediate voltage bus.

WO 2007/001584 A3



For two-letter codes and other abbreviations, refer to the "Guidance Notes on Codes and Abbreviations" appearing at the beginning of each regular issue of the PCT Gazette.

INTERNATIONAL SEARCH REPORT

International application No.

PCT/US06/12831

A. CLASSIFICATION OF SUBJECT MATTER
IPC: G06F 1/26(2006.01)

USPC: 713/300
 According to International Patent Classification (IPC) or to both national classification and IPC

B. FIELDS SEARCHED

Minimum documentation searched (classification system followed by classification symbols)
 U.S. : 71300/300, 310, 330, 340; 323/266-269, 271, 272, 283

Documentation searched other than minimum documentation to the extent that such documents are included in the fields searched
 NONE

Electronic data base consulted during the international search (name of data base and, where practicable, search terms used)
 NONE

C. DOCUMENTS CONSIDERED TO BE RELEVANT

Category *	Citation of document, with indication, where appropriate, of the relevant passages	Relevant to claim No.
X	WO 02/31951 A2 (GOODFELLOW et al) 18 April 2002 (18.04.2002), see entire document.	1
X	US 6,563,294 B2 (DUFFY et al) 13 May 2003 (13.05.2003), see entire document.	1
X	US 2003/0006650 A1 (TANG et al) 09 January 2003 (09.01.2003), see entire document.	1
X	US 2002/0144163 A1 (GOODFELLOW et al) 03 October 2002 (03.10.2002), see entire document.	1
A,E	US 7,080,265 B2 (THAKER et al) 18 July 2006 (18.07.2006), see entire document.	1
A,P	US 6,936,999 B2 (CHAPUIS) 30 August 2005 (30.08.2005), see entire document.	1
A,P	US 6,949,916 B2 (CHAPUIS) 27 September 2005 (27.09.2005), see entire document.	1

Further documents are listed in the continuation of Box C. See patent family annex.

* Special categories of cited documents:		
"A" document defining the general state of the art which is not considered to be of particular relevance	"T"	later document published after the international filing date or priority date and not in conflict with the application but cited to understand the principle or theory underlying the invention
"E" earlier application or patent published on or after the international filing date	"X"	document of particular relevance; the claimed invention cannot be considered novel or cannot be considered to involve an inventive step when the document is taken alone
"L" document which may throw doubts on priority claim(s) or which is cited to establish the publication date of another citation or other special reason (as specified)	"Y"	document of particular relevance; the claimed invention cannot be considered to involve an inventive step when the document is combined with one or more other such documents, such combination being obvious to a person skilled in the art
"O" document referring to an oral disclosure, use, exhibition or other means		
"P" document published prior to the international filing date but later than the priority date claimed	"&"	document member of the same patent family

Date of the actual completion of the international search
 06 January 2007 (06.01.2007)

Date of mailing of the international search report
 23 JAN 2007

Name and mailing address of the ISA/US
 Mail Stop PCT, Attn: ISA/US
 Commissioner for Patents
 P.O. Box 1450
 Alexandria, Virginia 22313-1450
 Facsimile No. (571) 273-3201

Authorized officer
 JOSE G. DEES
 Telephone No. (571) 272-1569

Jose G. Dees

INTERNATIONAL SEARCH REPORTInternational application No.
PCT/US06/12831**C. (Continuation) DOCUMENTS CONSIDERED TO BE RELEVANT**

Category *	Citation of document, with indication, where appropriate, of the relevant passages	Relevant to claim No.
A,P	US 7,000,125 B2 (CHAPUIS et al) 14 February 2006 (14.02.2006), see entire document.	1
A,P	US 7,049,798 B2 (CHAPUIS et al) 23 May 2006 (23.05.2006), see entire document.	1
A,E	US 7,068,021 B2 (CHAPUIS) 27 June 2006 (27.06.2006), see entire document.	1