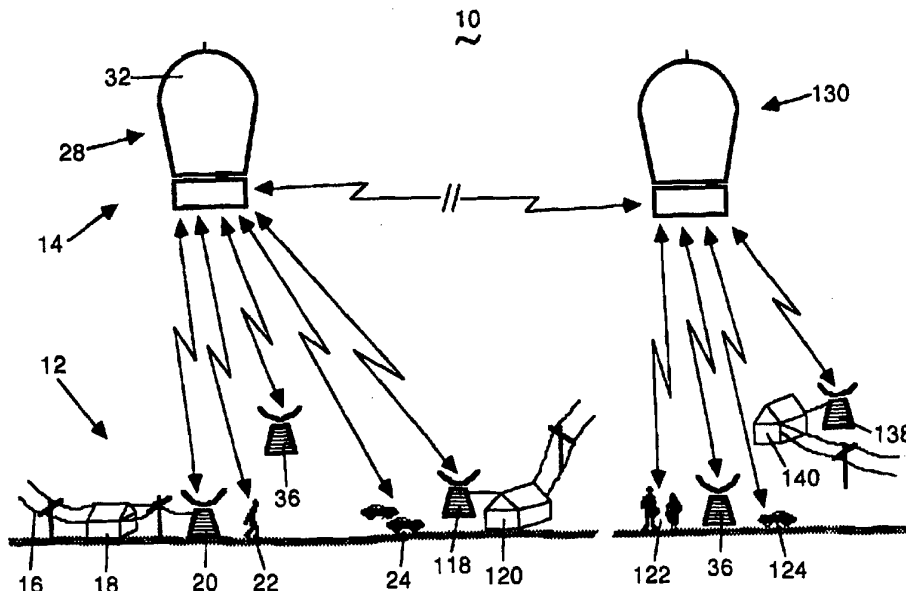




INTERNATIONAL APPLICATION PUBLISHED UNDER THE PATENT COOPERATION TREATY (PCT)

<p>(51) International Patent Classification ⁵ : H04B 7/185, B64B 1/44, 1/48, B64G 1/24</p>	<p>A1</p>	<p>(11) International Publication Number: WO 95/04407</p>
		<p>(43) International Publication Date: 9 February 1995 (09.02.95)</p>
<p>(21) International Application Number: PCT/US94/08059</p>	<p>(81) Designated States: AM, AT, AU, BB, BG, BR, BY, CA, CH, CN, CZ, DE, DK, ES, FI, GB, GE, HU, JP, KE, KG, KP, KR, KZ, LK, LT, LU, LV, MD, MG, MN, MW, NL, NO, NZ, PL, PT, RO, RU, SD, SE, SI, SK, TJ, TT, UA, US, UZ, VN, European patent (AT, BE, CH, DE, DK, ES, FR, GB, GR, IE, IT, LU, MC, NL, PT, SE), OAPI patent (BF, BJ, CF, CG, CI, CM, GA, GN, ML, MR, NE, SN, TD, TG), ARIPO patent (KE, MW, SD).</p>	
<p>(22) International Filing Date: 22 July 1994 (22.07.94)</p>		
<p>(30) Priority Data: 08/100,037 30 July 1993 (30.07.93) US</p>		
<p>(60) Parent Application or Grant (63) Related by Continuation US 08/100,037 (CIP) Filed on 30 July 1993 (30.07.93)</p>	<p>Published With international search report.</p>	
<p>(71) Applicant (for all designated States except US): INTERNATIONAL MULTI-MEDIA CORPORATION [US/US]; 1221 Centennial Road, Narberth, PA 19072 (US).</p>		
<p>(72) Inventors; and</p>		
<p>(75) Inventors/Applicants (for US only): SELIGSOHN, Sherwin, I. [US/US]; 1221 Centennial Road, Narberth, PA 19072 (US). SELIGSOHN, Scott [US/US]; 518 Ott Road, Bala Cynwyd, PA 19004 (US).</p>		
<p>(74) Agent: BECK, Stuart, E.; Suite 1200, Eleven Penn Center, Philadelphia, PA 19103 (US).</p>		

(54) Title: SUB-ORBITAL, HIGH ALTITUDE COMMUNICATIONS SYSTEM



(57) Abstract

A sub-orbital, high altitude communications system comprising at least two ground stations (12) and at least one high altitude relay station (28, 130). Each of the ground stations (12) including means for sending and receiving telecommunications signals (20, 22, 36). The relay stations (28, 130) include means for receiving and sending telecommunications signals (48) from and to the ground stations (12) and from and to other relay stations. Means are provided for controlling the lateral and vertical movement of the relay stations so that a predetermined altitude and location of each of the relay stations can be achieved and maintained. Means are provided for receiving the relay stations so that they can be serviced for reuse.

FOR THE PURPOSES OF INFORMATION ONLY

Codes used to identify States party to the PCT on the front pages of pamphlets publishing international applications under the PCT.

AT	Austria	GB	United Kingdom	MR	Mauritania
AU	Australia	GE	Georgia	MW	Malawi
BB	Barbados	GN	Guinea	NE	Niger
BE	Belgium	GR	Greece	NL	Netherlands
BF	Burkina Faso	HU	Hungary	NO	Norway
BG	Bulgaria	IE	Ireland	NZ	New Zealand
BJ	Benin	IT	Italy	PL	Poland
BR	Brazil	JP	Japan	PT	Portugal
BY	Belarus	KE	Kenya	RO	Romania
CA	Canada	KG	Kyrgystan	RU	Russian Federation
CF	Central African Republic	KP	Democratic People's Republic of Korea	SD	Sudan
CG	Congo	KR	Republic of Korea	SE	Sweden
CH	Switzerland	KZ	Kazakhstan	SI	Slovenia
CI	Côte d'Ivoire	LI	Liechtenstein	SK	Slovakia
CM	Cameroon	LK	Sri Lanka	SN	Senegal
CN	China	LV	Latvia	TD	Chad
CS	Czechoslovakia	LU	Luxembourg	TG	Togo
CZ	Czech Republic	LV	Latvia	TJ	Tajikistan
DE	Germany	MC	Monaco	TT	Trinidad and Tobago
DK	Denmark	MD	Republic of Moldova	UA	Ukraine
ES	Spain	MG	Madagascar	US	United States of America
FI	Finland	ML	Mali	UZ	Uzbekistan
FR	France	MN	Mongolia	VN	Viet Nam
GA	Gabon				

SUB-ORBITAL, HIGH ALTITUDE COMMUNICATIONS SYSTEMRelated Patent Applications:

5 This patent application is a continuation in part of U.S. patent application Serial No. 08/100,037 filed July 30, 1993 by Seligsohn et al. and entitled SUB-ORBITAL, HIGH ALTITUDE COMMUNICATIONS SYSTEM

10 Field of the Invention:

 This invention relates to a long duration, high altitude communication system, and more particularly to a communications system in a sub-orbital plane that is well above any system which is physically connected to the ground, and whose components can
15 stay aloft and on station for long periods.

Background of the Invention:

 Wireless telecommunications systems currently use either terrestrial (ground) based infrastructures or space (satellite)
20 based infrastructures. Terrestrial based systems include radio towers and antennae on tall buildings, mountains, and the like. Also, balloons that are tethered to the ground have been used. Spaced based systems rely on satellites having telecommunications equipment.

25 Terrestrial based wireless telecommunications systems have been known since the early days of radio, almost a hundred years ago. Their configurations range from simple one-way and two-way radio hookups - to radio and television broadcast networks - to today's sophisticated cellular networks and proposed personal
30 communications networks (PCN).

"Relay stations" are used to send and receive radio transmissions to and from other locations. Because they are on or close to the ground, their radio signals tend on the average to be closer to the horizontal than the vertical. Thus, each relay station can only send and receive signals from a limited distance. The distance that the radio signals can travel is limited because of horizon problems due to the curvature of the earth; line of sight problems due to uneven terrain, trees, and buildings; interference due to other signals or with reflections of the transmitted signal; and attenuation problems due to unwanted absorption of the transmitted signal. To increase the area of coverage, either more powerful equipment must be used, and/or the height of the relay stations must be increased. Increasing power helps to solve the attenuation problem and the interference with other signals problem; but it does not address the horizon, line-of-sight, and interference with reflected signal problems. Therefore, it is preferred to increase the height of the relay stations as by putting them on towers, tall buildings and mountain tops. This rolls back the horizon and line-of-sight for the relay station thereby increasing the area that it can cover, and to some extent reduces the attenuation problem and the interference with the reflected signal problem. However, it is not always feasible to place relay stations at optimum locations due to geographic or political factors, or merely because of the inability to obtain permission from a land owner or government.

To some extent these problems are alleviated by wireless telecommunications equipment carried by tethered balloons.

However, tethered balloons have their own problems. If the balloons are tethered at low altitudes, their area of coverage will not be any larger than that of a relay station on a tower or tall building making it difficult to justify their cost. Also, since they will be subject to the weather and wind conditions that exist at these altitudes, they are likely to be easily damaged and require frequent replacement.

On the other hand, if they are tethered at altitudes that enable them to relay telecommunications signals over a large enough area to make them economically feasible and to avoid weather conditions, thereby prolonging their life, both the balloons and tethers become hazardous to aircraft and the tethers remain subject to the stress of weather conditions.

Further, it is likely that the tether of a failed balloon will be strewn along hundreds if not thousands or tens of thousands of feet causing damage and risk of injury to property and persons. Additionally, if the tether falls across electric lines there is a risk of fire and power outages.

Accordingly, these disadvantages make tethered balloons unsuitable for use as part of a telecommunications system whose components are to operate for long periods.

To overcome many of the limitations of ground based wireless telecommunications systems, orbital space based telecommunications systems have been constructed using satellite technologies which have evolved since the first days of Sputnik (1957). Satellite systems in geosynchronous orbit (approximately 22,000 miles) have been used for many years with a high degree of

reliability. Their prime advantage is their high altitude which enables one satellite to send and receive signals from an area on the earth encompassing hundreds of thousands of square miles. However, satellites are expensive to manufacture, launch and
5 position, either initially or as replacements. Further, because of the cost associated with their manufacture and launch, and the great difficulty in servicing them, extraordinary care must be taken to assure their reliability.

Moreover, because of a satellite's high altitude, there is
10 a delay in radio transmission of about 1/8 of a second in each direction. This significantly limits the satellite's ability to carry and conduct familiar two way (duplex) voice communications. Also, due to its high altitude, its radio transmission equipment requires more power than required by comparable terrestrial
15 systems. This raises costs and affects the size and weight of equipment both on the satellite and on the ground.

When a satellite fails, as assuredly they all must do, either electronically, or by decay of orbit, attempts to recover or repair them are extremely expensive. Further, the attempts,
20 whether or not successful, subject personnel and equipment to the risk of injury or loss. On the other hand, a failed satellite may be left in orbit. It will be another piece of "space junk," until its orbit decays to the extent that it plunges through the atmosphere toward earth. If it is not fully consumed during the
25 plunge, it may cause damage to persons or property when it strikes the earth.

In an attempt to solve the problems attendant to existing high altitude satellite systems, it has been proposed to orbit

the satellites at an altitude of either about 500 miles or at about 5,000 miles. While this will reduce power requirements and transmission delay times, it creates other problems. This is because at these lower altitudes the satellites are not geosynchronous. Therefore, telecommunications signals may be required to be transmitted between several satellites during a particular communication. This is because the circumferential position of each satellite relative to the earth is continuously changing. Therefore, a particular satellite that is over a ground station at the beginning of a communication may orbit to such an extent during the communication that it loses the signal from the ground. To maintain the connection, the signal from the ground will have to be transferred to another satellite that is closer to the ground station. Also, the satellites will have to be programmed to permit this to happen. Thus, very complex routing features will need to be implemented. In addition, members of the industry disagree amongst themselves over optimum altitudes, angles of signal propagation, and how to deal with the doppler shifts. Furthermore, because of their lower altitude, the satellites' orbits will decay at faster rates than the higher altitude satellites so that they and the equipment they carry will need to be replaced more often, again incurring substantial expense.

The problems described could be substantially reduced by a telecommunications infrastructure using long duration, high altitude, recoverable telecommunications stations that can be kept on station and which are located in a sub-orbital plane, and which have the ability to receive telecommunication signals from

a ground station and relay them to another similar station or to a further ground station.

Since the propagation of radio signals to and from the relay stations would be nearly vertical; line of sight, reflective interference and attenuation problems would be minimized. This is because there would be less likelihood of tall buildings, trees or terrain to block, reflect, or absorb the radio signals. This means that less power would be needed to send a signal a given distance than if it were transmitted horizontally at or near the ground. Further, because the system would operate at altitudes that are less than ten percent of the lowest proposed satellite systems, less power would be required for telecommunications signals with no noticable delay in transmission.

This will create a means for providing relatively low cost, efficient, wireless telecommunications without incurring the economic and physical limitations associated with terrestrial based network infrastructures, tethered balloon systems or orbiting space based network infrastructures.

Summary of the Invention:

Accordingly, with the foregoing in mind the invention relates generally to a telecommunications system that comprises at least two ground stations. Each of the ground stations includes means for sending and means for receiving telecommunication signals. At least one relay station is provided. The relay station includes means for receiving and sending telecommunication signals from and to the ground stations and from and to other relay stations.

The relay stations are at an altitude of about 12 to 35 miles. Means are provided for controlling the lateral movement of the relay stations so that once a pre-determined altitude is reached, a predetermined location of each of the relay stations
5 can be achieved and maintained.

In another aspect the invention relates to a telecommunications method comprising the steps of providing at least two ground stations and at least one relay station. One of the relay stations is positioned at a predetermined location and at an
10 altitude of about 12 to 35 miles. A telecommunications signal is transmitted from one of the ground stations to one of the relay stations. The relay station then transmits the telecommunications signal to the second ground station or to at least another of the relay stations and then to the second ground
15 station. Each of the relay stations is maintained at a predetermined altitude and location.

In still another aspect the invention relates to a relay station for a high altitude sub-orbital telecommunications system. It includes means for receiving and sending telecommunications signals from and to ground stations and/or from and to
20 other relay stations. It also includes means for controlling the lateral and vertical movement of said relay station so that a predetermined altitude and location for the relay station can be achieved and maintained.

25

Description of the Drawing:

The invention can be further understood by referring to the accompanying drawing of a presently preferred form thereof, and wherein

5 Figure 1 is a schematic showing a communications system constructed in accordance with a presently preferred form of the invention.

 Figure 2 is a elevation view of one of the relay stations comprising the invention.

10 Figure 3 is a view of a portion of Figure 2 showing a propulsion system.

 Figure 4 is a view of a portion of Figure 2 showing another form of propulsion system.

15 Figures 5A and 5B are a plan view and an elevation view, respectively, of another form of a part of the invention shown in Figure 2.

 Figure 6A, 6B and 6C are views of further forms of a part of the invention shown in Figure 2.

20 Figure 7 is a schematic showing an alternate arrangement of the communications system illustrated in Figure 1.

 Figure 8 is a view of a portion of a relay station.

 Figure 9 is a view of a second embodiment of the portion of the relay station shown in Figure 5.

 Figure 10 is a view of a relay station being recovered.

25

Description of a Preferred Embodiment:

Referring now to Figure 1, the system 10 comprises a ground based portion 12 and an air based portion 14.

The ground based portion 12 may comprise conventional telephone networks 16 with branches that are connected to a ground station 18 having suitable long distance transmitting and receiving means such as antenna 20. The ground based portion 12
5 may also comprise mobile telephones of well known types such as cellular telephones that may be carried by individuals 22 or in vehicles 24. The microwave antennae 20 are operative to transmit and receive telecommunication signals to and from a sub-orbital, high altitude relay station 28 which is located at an altitude
10 of between about 12 to 35 miles.

Preferably, there are a plurality of relay stations 28; each one being on station at a fixed location over the earth. As presently preferred, the relay stations are designed to stay aloft and on station at least 20 to 30 days.

15 Each relay station 28 contains means for receiving telecommunication signals from a ground station 20, individual 22 or vehicle 24 and then transmitting them to another ground station 118, individual 122 or vehicle 124 either directly or by way of another relay station 130. Once the signals return to the ground
20 based portion 12 of the system 10, the telecommunication calls are completed in a conventional manner.

The relay station 28 may comprise a lifting device 32.

While ordinary zero pressure balloons have been considered as suitable lifting devices for high altitude flights, they are
25 not suitable for systems that must operate for periods longer than about a week or ten days. This is because as the gas in a zero pressure balloon cools each night, its density increases. As a result, it descends until it reaches a density altitude that

is equal to its own density. Therefore, to remain aloft the zero pressure balloon must drop about 8 - 9% of its weight each night to compensate for its increased density or it may strike the earth.

5 A suitable lifting device could be an inflatable, lighter than air device such as a high altitude super-pressure balloon of the type developed by Winzen International, Inc. of San Antonio, Texas. The super-pressure balloon 32 is configured so that it floats at a predetermined density altitude. The
10 configuring is accomplished by balancing inflation pressure of the balloon and the weight of its payload against the expected air pressure and ambient temperatures at the desired density altitude. It has been observed that devices of this character maintain a high degree of vertical stability during the diurnal
15 passage notwithstanding that they are subject to high degrees of temperature fluctuation.

 In the alternative the lifting device 32 could be an improved zero pressure balloon of the type having means for controlling the extent to which the gas inside the balloon is
20 heated during the day and is cooled at night. Thus, controlling the heat of the gas reduces the amount of ballast that will need to be dropped each night.

 As a further alternative, the lifting device 32 could be an overpressure zero pressure balloon. This is a conventional zero
25 pressure balloon that is modified by closing its vents. It is allowed to pressurize within established limits in flight by the controlled release of gas through a valve. This reduces the amount of ballast that must be dropped when the gas cools at

night as when a conventional zero pressure balloon would increase in density and lose altitude.

While the overpressure zero pressure balloon still experiences diurnal altitude changes, it requires significantly less ballast and gas loss than the zero pressure balloon with the heat control. Therefore, flight time and payload may be substantially greater than for zero pressure balloons. However, the expansion and contraction of the gas inside the balloon during a twenty-four hour period that accompany altitude changes places enormous stress on it so that the payload that it carries is reduced.

Therefore, it is desirable to control the altitude of the balloon and the expansion and contraction of the gases inside it so that the stresses on it are reduced. This can be accomplished by using a means for controlling the amount that the gas inside the balloon is heated during the day and is cooled at night. Thus, to the extent that the stress on the balloon can be controlled, payloads of up to three to four tons can be carried for relatively long periods.

The amount of heat inside the balloon can be controlled by making the skin of the balloon, or portions of the skin, from a suitable transparent, electro-chromatic or photo-chromatic material. Thus, the balloon skin will be substantially transparent at low light levels and at night. This will permit radiant heat energy to enter the balloon and heat its interior in a manner similar to a greenhouse. During the day, sunlight or a signal sent from the ground will cause the skin to become reflective or opaque. This will reduce the amount of radiant

energy that will enter the balloon, thereby keeping the interior of the balloon relatively cool.

Another way to control altitude is to use a balloon that includes a central expansible chamber that is filled with a lighter than air gas that is surrounded by an outer substantially non-expansible chamber that is filled with air. To reduce altitude, compressed air is forced into the outer chamber; to increase altitude, air is vented from the outer chamber. Typical of this system is the Odyssey balloon project of Albuquerque, New Mexico and described in the New York Times of June 7, 1994, at section C, page 1.

A plurality of tracking stations 36 are provided. They include well known means which can identify a particular relay station 28 without regard to whether it is in a cluster and detect its location and altitude.

As will be explained, a thrust system is provided for returning a relay station 28 to its preassigned station should a tracking station 36 detect that it has shifted. The thrust system can be operated automatically to keep the relay stations on station by using control systems that rely on fuzzy logic.

Referring to Figure 2, it can be seen that each of the relay stations 28 comprises one equipment module 38. In a presently preferred form of the invention, the equipment module comprises a platform. However, the equipment module 38 can be of any convenient shape and size that is sufficient to support the equipment necessary to accomplish the purpose of the relay station.

As seen in Figures 2 and 3 the equipment module 38 includes a housing 40 which is supported by device 32. The housing 40 contains a telecommunication signal transmitter and receiver 44 and a ground link antenna 48. Antenna 48 is for receiving and sending telecommunications signals between ground stations 20 and the relay station 28. The relay station 28 also includes a plurality of antennas 52 which are adapted to receive and transmit telecommunications signals from and to other relay stations. The housing 40 also contains a guidance module 56 that transmits the identity and location of the relay station to the tracking stations 36. It receives instructions from the tracking station for energizing the thrust system. A guidance antenna 58 is provided to enable communication between the tracking station 36 and the guidance module 56.

A suitable re-energizable power supply 60 is mounted on housing 40, the power supply 60 may comprise a plurality of solar panels 64. In a well known manner the solar panels capture the sun's light and convert it into electricity which can be used by the telecommunications equipment as well as for guidance and propulsion.

In addition the power supply could also comprise a plurality of wind vanes 68. The wind vanes may be arranged to face in different directions so that at least some of them are always facing the prevailing winds. The wind vanes 68 can be used to generate electric power in a well known manner which also can be used by the telecommunication equipment as well as for guidance and propulsion.

As seen in Figure 4, an alternate power supply 66 may be provided in the form of a microwave energy system similar to that which has been developed by Endosat, Inc. of Rockville, Maryland. The microwave energy system includes a ground based microwave generator (not shown) that creates a microwave energy beam of about 35 GHz. This beam is directed to receptors 80 on the relay station 28 and there converted to direct current. Further, the microwave energy could come from a source that is in orbit or from free space.

In a manner similar to the solar energy system, the microwave energy system could supply power sufficient to operate the telecommunications system on the relay station as well as provide power for guidance and propulsion.

As seen in Figures 3 and 4 the thrust system for the relay station 28 may comprise a plurality of rockets or jets 90 or propellers 94. The jets 90 and propellers 94 are arranged in a horizontal plane along mutually perpendicular axes which are supported by pods 100 on the housing 40. By selective energization of various ones of the jets or propellers the relay station 28 can be directed to and maintained at a pre-determined location over the earth.

If desired, additional jets or rockets 108 or propellers 112 could be located on vertical axes to assist in bringing the relay station to its pre-determined altitude on launch or restoring it should its drift from that altitude be more than an acceptable amount.

Drifting of the relay stations 28 from their pre-determined locations will be detected by the tracking stations 36. The

tracking stations 36 will then energize the thrust members on the relay stations 28 for selected intervals to return them to their pre-determined locations.

As an alternative, as seen in Figures 5A and 5B each relay station 28 can comprise a cluster of between two and four sections 34. Each section 34 comprises an equipment module 38 that is independently carried by its own lifting device 32.

Some of the equipment modules 38 can carry telecommunications equipment while other equipment modules 38 can carry power generation and transmitting equipment. Thus, energy can be transmitted from the power generation modules by beaming microwave energy to antennae on the communications modules. Since there are several sections 34 comprising a relay station, each section 34 can be smaller and lighter than if there were only one equipment module comprising the relay station 28. Further, the provision of a cluster of sections 34 creates a redundancy that will keep the relay station in service should the equipment on one of the sections 34 fail.

As another alternative, as seen in Figures 6A, 6B and 6C, lightweight, unmanned airplanes 114 could be used in lieu of the balloons. The airplanes 114 could be controlled from the ground in a well known manner. However, they are less desirable than balloons. This is because they are constantly changing position to remain aloft, and because their payloads are limited by the lightweight airframes required to reach high altitudes.

As seen in Figure 6A power to maintain the airplanes 114 aloft for long periods could be achieved by using solar power.

In this instance the airplane could be essentially a flying wing that is comprised of high efficiency solar panels 116. The solar panels in the wing could drive electric motors and an energy storage system.

5 Additionally, as seen in Figure 6B hydrogen - oxygen re-generative fuel cells 118 could be used to achieve long periods of flight.

 Further, as seen in Figure 6C the lightweight airplane 114 could achieve its power from microwave energy that is beamed to
10 antennae 126 on the airplane from a transmitting dish 128 on the ground as described above, or is collected from microwave energy in free space.

 When the system 10 is operating the customer will be unaware of its existence. Thus, when a call is placed, the telecommuni-
15 cations signal will be conveyed from the caller's telephone by way of a conventional network to the ground station 18 associated with that location. The microwave antenna 20 will then beam a telecommunications signal corresponding to that telephone call to the nearest relay station 28. Switching circuitry of a well
20 known type will direct the signal to another ground station 120 near the recipient. If the recipient is further, the signal will be sent to a further relay station 130 from which it will be directed to a mobile telephone carried by an individual 122 or in a vehicle 124 or to a ground station 140 near the recipient.
25 The signal received by the ground station 120 or 140 will be transmitted to the recipient's telephone by way of a conventional

telephone network. Once a communication link is established between two telephones by way of the ground stations and relay stations, the parties can communicate.

Since the relay stations are at an altitude of about 12 -
5 35 miles they are above adverse weather. None-the-less, at that altitude telecommunications power requirements are low enough to enable the use of frequencies that are the same as those used for terrestrial transmission. This means that existing allocated telecommunications frequencies can be used. Since much of the
10 engineering has been done for those telecommunications frequencies, the costs of implementing this system are reduced. Further, maximum use of the existing frequencies can be achieved by currently known digital multiple access technologies such as frequency division multiple access (FDMA), time division multiple
15 access (TDMA), code division multiple access (CDMA) or combinations of them.

Therefore, by comparison to telecommunications signals from satellites, the signals generated in the communications system of the invention can be relatively weak since they travel a
20 shorter distance. This is particularly advantageous since the ability to use a weaker signal results in transmitters and receivers that are smaller, lighter, and which require less power to operate.

This aspect of the telecommunications system could be
25 enhanced by having the relay stations 28 stationed over more densely populated areas 132 operate at lower altitudes and/or

with more narrowly focused angles of reception and propagation
142 than other relay stations 28 that are over less densely
populated areas 134 that will operate at higher altitudes and/or
with broadly focused angles of reception and propagation 144 as
5 seen in Figures 7A and 7B. By doing this, a substantial
unbalance in the volume of traffic handled by the various relay
stations comprising the telecommunications system can be reduced.
Further, as explained earlier, the relay stations 28 that are
designated for the more densely populated areas 132 may operate
10 with lower power. This can result in a lower cost of operation.
This is another advantage over a satellite based system since in
such a system a reduction in the height of the orbit for a
particular satellite will increase its decay rate and shorten its
life.

15 As best seen in Figures 2, 8, 9 and 10 a recovery system 150
for the relay stations 28 is provided. As will be more fully
explained, the recovery system includes a deflation device 152
and a remote controlled recovery parachute 154.

Referring to Figures 2 and 8 one embodiment of the deflation
20 device 152 includes a housing 160 that is formed integrally with
the suitable lighter than air device 32. The housing 160
includes an outwardly extending and radially directed flange 164
that is integrally connected to the device 32 as by welding or
by adhesive. The flange 164 supports a downwardly directed, and
25 generally cylindrical wall 168 that supports a bottom wall 172.
As seen in Figure 8, the bottom wall 172 is defined by an open

lattice so that the housing 160 is connected to the interior of the device 32 and is at the same pressure.

Near its upper end the cylindrical wall 168 supports an inwardly directed flange 176. A frangible cover 184 is connected to the flange in airtight relation. This can be accomplished by
5 connecting the cover to the flange by an adhesive, or with a suitable gasket between them, or by fabricating the cover as an integral part of the housing 160.

The cylindrical wall 168, bottom wall 172 and cover 184
10 define a chamber that contains the remote control recovery parachute 154.

A small chamber 190 is formed on the underside of the cover 184 by a wall 192. A small explosive pack 194 which is contained within the chamber 190 is responsive to a signal received by
15 antenna 196.

The parachute 154 has its control lines 198 connected to a radio controlled drive member 200 that is contained within the housing 160. The drive member 200 may include electric motors that are driven in response to signals from the ground to vary
20 the length of the control lines in a well known manner to thereby provide directional control to the parachute.

To recover the relay station a coded signal is sent to the device where it is received by antenna 196. This results in the explosive charge 194 being detonated and the frangible cover 184
25 being removed.

Since the cover 184 is designed to break, the explosive charge can be relatively light so that it does not damage the parachute 154.

In this regard the wall 192 helps to direct the explosive force upwardly against the cover rather than toward the device 32.

5 After the cover has been removed, the gases will begin to escape from the interior of the device 32 through bottom wall 172 and the opening in the top of the housing. The force of air exiting from the device 32 when the cover is first removed will be sufficient to deploy the parachute.

10 As seen in Figure 10 the parachute 154 will support the device 32 by way of its control lines 198. As explained above, the relay station 28 can be directed to a predetermined location on the ground.

15 In the embodiment shown in Figure 9 flange 164 supports cover 204 with an annular airtight gasket between them. The cover 204 is held against the flange 164 by a plurality of circumferentially spaced clamping brackets 210. The clamping brackets are retractably held in engagement with the cover 204 by electrically driven motors 212. The motors are energized in response to signals from the ground to retract the brackets 210.

20 When the brackets 210 are retracted, the pressure of the gases escaping from the device 32 will dislodge the cover and permit the parachute to be deployed.

25 After the relay station has been serviced, the recovery system 150 can be replaced and the device 32 can be re-inflated and returned to their respective stations.

If the relay stations comprise remotely controlled airplanes 114, they can be recovered in a well known manner for servicing and returned to their respective stations.

While the invention has been described with regard to particular embodiments, it is apparent that other embodiments will be obvious to those skilled in the art in light of the foregoing description. Thus, the scope of the invention should not be limited by the description, but rather, by the scope of
5 the appended claims.

Claims:

1. A telecommunications apparatus comprising
at least two ground stations, each of said ground
stations including means for sending and receiving telecommunica-
5 tions signals,
at least one relay station, said relay station
including means for receiving and sending telecommunications
signals from and to said ground stations and from and to others
of said relay stations,
10 said relay stations being at an altitude of about 12
to 35 miles, and
means for controlling the lateral and vertical movement
of said relay stations so that a predetermined altitude and loc-
ation of each of said relay stations can be achieved and main-
15 tained.
2. An apparatus as defined in claim 1 wherein
said means for controlling the lateral and vertical
movement of said relay stations so that a predetermined altitude
20 and location of each of said relay stations can be achieved and
maintained comprises
first means for identifying the current altitude and/or
location of a predetermined one of said relay stations, and
second means for identifying a predetermined altitude
25 and/or location for said last named relay station, and
energizable thrust systems on said relay stations, said
thrust systems being selectively operative to move said relay

station from its current altitude and/or location to said predetermined altitude and/or location.

3. An apparatus as defined in claim 2 wherein
5 said means for maintaining said relay stations at said predetermined altitude and/or location comprises a thrust system, and
means for energizing said thrust system.

10 4. An apparatus as defined in claim 2 wherein said thrust system comprises propellers.

5. An apparatus as defined in claim 2 wherein said thrust system comprises rockets.

15 6. An apparatus as defined in claim 2 wherein said thrust system comprises jets.

7. An apparatus as defined in claim 2 wherein
20 said means for energizing said thrust system includes means for receiving and converting solar energy to electric energy.

8. An apparatus as defined in claim 2 wherein
25 said means for energizing said thrust system includes means for receiving and converting wind energy to electric energy.

9. An apparatus as defined in claim 2 wherein said means for energizing said thrust system includes means for receiving and converting microwave energy to electric energy.

5

10. An apparatus as defined in claim 9 including at least one ground based microwave transmitter, and means for aiming a microwave beam at said microwave receiving means on said relay station.

10

11. An apparatus as defined in claim 9 including at least one microwave transmitter based on one of said relay stations, and means on said relay station for aiming a microwave beam at said receiving means on said other relay station.

15

12. An apparatus as defined in claim 2 wherein said means for energizing said thrust system includes means for converting chemical energy to electric energy.

20

13. An apparatus as defined in claim 2 wherein at least some of said relay stations are lighter than air.

25

14. An apparatus as defined in claim 13 wherein said means for controlling said lateral movement comprises a thrust system, and electric means for driving said thrust system.

15. An apparatus as defined in claim 13 wherein
said means for controlling said thrust system comprises
a plurality of propellers.

5

16. An apparatus as defined in claim 13 wherein
said means for controlling said thrust system comprises
a plurality of rockets.

10

17. An apparatus as defined in claim 13 wherein
said means for controlling said thrust system comprises
a plurality of jets.

15

18. An apparatus as defined in claim 13 wherein
at least some of said relay stations comprise inflat-
able devices, and
means connected to said inflatable devices for
deflating them while they are aloft.

20

19. An apparatus as defined in claim 18 wherein
said means for deflating said inflatable devices is
operative in response to a signal from a remote source.

25

20. An apparatus as defined in claim 19 wherein said
means for deflating said inflatable device includes
an opening in said inflatable device,

a cover closing said opening and being operative to seal said opening against the escape of gases from said inflatable device, and

an explosive charge connected to said cover, said explosive charge being operative when detonated to remove said cover from said opening.

21. An apparatus as defined in claim 19 wherein said means for deflating said inflatable device includes

an opening in said inflatable device,

a cover closing said opening against the escape of gases from said inflatable device, and

a plurality of clamping brackets for releasably retaining said cover in sealing relation with said opening,

at least one electrically driven motor supported by said inflatable device, said electrically driven motor being in engagement with said clamping brackets and being operative when energized to move said clamping brackets so that they release said cover from said opening.

22. An apparatus in defined in claim 18 wherein at least some of said inflatable devices include a parachute for controlling their descent when they are recovered.

23. An apparatus as defined in claim 22 including means for deploying said parachute, and means for connecting said means for deploying said parachute to said means for deflating said inflatable device so

that said parachute is deployed when said inflatable device is deflated.

24. An apparatus as defined in claim 23 including
5 radio controlled means supported by said inflatable device and being connected to the control lines for said parachute,

said radio controlled means being operative to provide directional control to said parachute as it descends.

10

25. An apparatus as defined in claim 1 including a ground based telecommunications network, and at least one of said ground stations is connected to a conventional ground based telecommunications network.

15

26. An apparatus as defined in claim 1 wherein at least one of said ground stations is mobile.

27. An apparatus as defined in claim 1 wherein
20 at least one of said ground stations is stationary.

20

28. An apparatus as defined in claim 1 wherein said relay station comprises a balloon.

29. An apparatus as defined in claim 28 wherein
25 said balloon includes means for controlling its altitude.

25

30. An apparatus as defined as in claim 29 wherein said balloon comprises a zero pressure balloon.

5 31. An apparatus as defined as in claim 29 wherein said balloon comprises an overpressure zero pressure balloon.

10 32. An apparatus as defined in claim 28 wherein said balloon comprises a super pressure balloon.

33. An apparatus as defined in claim 28 wherein said balloon includes means for controlling the temperature of the gas that it contains.

15 34. An apparatus as defined in claim 28 wherein said balloon includes a skin, and at least a portion of said skin is comprised of electro-chromatic material.

20 35. An apparatus as defined as in claim 34 wherein said balloon comprises a zero pressure balloon.

25 36. An apparatus as defined as in claim 34 wherein said balloon comprises an overpressure zero pressure balloon.

37. An apparatus as defined in claim 28 wherein said balloon includes a skin, and

at least a portion of said skin is comprised of photo-chromatic material.

5

38. An apparatus as defined as in claim 37 wherein said balloon comprises a zero pressure balloon.

10

39. An apparatus as defined as in claim 37 wherein said balloon comprises an overpressure zero pressure balloon.

40. An apparatus as defined in claim 1 wherein some of said relay stations comprise a plurality of sections,

15

at least one of said sections including means for selectively receiving and sending telecommunications signals from and to said ground stations and/or others of said relay stations, and

20

at least one of said sections including means for providing energy for said means for receiving and sending telecommunications signals and/or said means for controlling the lateral and vertical movement of said relay stations.

25

41. An apparatus as defined in claim 40 wherein at least two of said sections include means for selectively receiving and sending telecommunications signals from and to said ground stations and/or others of said relay stations, so that if said last named means on one of said sections fails, the

other section will continue to operate and thereby keep the relay station in service.

42. An apparatus as defined in claim 40 wherein
5 at least two of said sections include means for providing energy for said means for receiving and sending telecommunications signals and/or said means for controlling the lateral and vertical movement of said relay stations, so that if said last named means on one of said sections fails, the other
10 section will continue to operate and thereby keep the relay station in service.

43. An apparatus as defined in claim 40 wherein
said means for providing energy includes means for
15 receiving microwave energy and converting it to electric energy.

44. An apparatus as defined in claim 43 wherein
said means for receiving microwave energy includes
means for collecting microwave energy from space.
20

45. An apparatus as defined in claim 43 including
at least one ground microwave transmitter, and
said means for receiving microwave energy receives
microwave energy from said ground microwave transmitter.
25

46. An apparatus as defined in claim 40 wherein said means for providing energy includes means for converting solar energy to microwave energy and transmitting it to said means for receiving microwave energy.

5

47. An apparatus as defined in claim 40 wherein said means for providing energy includes means for converting chemical energy to microwave energy and transmitting it to said means for receiving microwave energy.

10

48. An apparatus as defined in claim 40 wherein said means for providing energy includes means for converting wind energy to microwave energy and transmitting it to said means for receiving microwave energy.

15

49. An apparatus as defined in claim 1 wherein said relay station comprises a light weight airplane.

50. An apparatus as defined in claim 50 wherein said airplane includes means for providing energy for said means for receiving and sending telecommunications signals and/or said means for controlling the lateral and vertical movement of said relay stations.

20

51. An apparatus as defined in claim 50 wherein said means for providing energy includes means for receiving microwave energy and converting it to electric energy.

52. An apparatus as defined in claim 51 including at least one ground microwave transmitter, and said means for receiving microwave energy receives microwave energy from said ground microwave transmitter.

5

53. An apparatus as defined in claim 50 wherein said means for providing energy includes means for converting solar energy to microwave energy and transmitting it to said means for receiving microwave energy.

10

54. An apparatus as defined in claim 50 wherein said means for providing energy includes means for converting chemical energy to microwave energy and transmitting it to said means for receiving microwave energy.

15

55. An apparatus as defined in claim 50 wherein said means for providing energy includes means for converting wind energy to microwave energy and transmitting it to said means for receiving microwave energy.

20

56. An apparatus as defined in claim 50 wherein said means for receiving microwave energy includes means for collecting microwave energy from space.

25

57. An apparatus as defined in claim 1 wherein said means for selectively receiving and sending telecommunications signals from and to said ground stations and/or others of said relay stations operates at frequencies that

are the same as those allocated to terrestrial telecommunications.

58. An apparatus as defined in claim 57 wherein
5 the use of said frequencies is increased by digital multiple access technologies.

59. An apparatus as defined in claim 1 wherein
there are a plurality of relay stations, and
10 relay stations stationed over more densely populated areas are lower than relay stations stationed over less densely populated areas.

60. An apparatus as defined in claim 59 wherein
15 said lower relay stations require less power for their telecommunications signals than said higher relay stations.

61. An apparatus as defined in claim 1 wherein
there are a plurality of relay stations,
20 the relay stations over more densely populated areas have a narrow focus for the angle of reception and propagation of telecommunications signals, and

the relay stations over less densely populated areas
have a broad focus for the angle of reception and propagation of
25 telecommunications signals.

62. An apparatus as defined in claim 61 wherein
said relay stations whose angles of reception and
propagation are narrow require less power for their telecommuni-
cations signals than said relay stations whose angles of
5 reception and propagation are broad.

63. A communications method comprising the steps of
providing at least two ground stations and at least one
relay station,
10 positioning said relay stations at predetermined
locations and at an altitude of about 12 to 35 miles,
transmitting a communications signal from one of said
ground stations to one of said relay stations,
receiving said communications signal at said one relay
15 station and transmitting said signal to second ground station or
to at least another of said relay stations and then to said
second ground station, and
maintaining each of said relay stations at a predeter-
mined altitude and location.

20

64. A method as defined in claim 63 including the
steps of
identifying the current altitude and/or location of a
predetermined one of said relay stations,
25 identifying a predetermined altitude and/or location
for said last named relay station, and
moving said relay station from its current altitude
and/or location to said predetermined altitude and/or location.

65. A method as defined in claim 64 wherein the step of moving said relay station includes the step of applying a thrust force to said relay station in the direction in which it is to move.

5

66. A method as defined in claim 65 including the step of

enabling said relay stations to receive and store energy, and

10

using said energy to create said thrust force and to enable said relay station to transmit and receive telecommunications signals.

15

67. A method as defined in claim 66 wherein said relay stations can receive and store solar energy.

68. A method as defined in claim 66 wherein said relay stations can receive and store microwave energy.

20

69. A method as defined in claim 66 wherein said relay stations can receive and store wind energy.

25

70. A method as defined in claim 66 wherein said energy is chemical energy.

71. A method as defined in claim 64 including the step of
returning said relay station to a predetermined location on the earth.

5

72. A method as defined in claim 63 wherein at least one of said ground stations is mobile.

10

73. A method as defined in claim 63 wherein said relay station is lighter than air.

74. A method as defined in claim 73 wherein said relay station is inflated with a gas.

15

75. A method as defined in claim 73 including the step of controlling the altitude of said relay station.

20

76. A method as defined in claim 75 wherein said step of controlling the altitude of said relay station includes controlling the temperature of said gas.

25

77. A method as defined in claim 76 wherein the temperature of said gas is controlled by controlling the amount of solar radiant energy that enters said balloon.

78. A method as defined in claim 77 wherein
said step of controlling the amount of solar energy
that enters said balloon includes the step of changing the
transparency of the skin of said balloon.

5

79. A method as defined in claim 78 wherein
at least a portion of said skin is comprised of
electro-chromatic material.

10

80. A method as defined as in claim 79 wherein
said balloon comprises a zero pressure balloon.

15

81. An method as defined as in claim 79 wherein
said balloon comprises an overpressure zero pressure
balloon.

20

82. A method as defined in claim 78 wherein
said balloon includes a skin, and
at least a portion of said skin is comprised of photo-
chromatic material.

25

83. A method as defined in claim 82 wherein
said balloon comprises a zero pressure balloon.

84. A method as defined in claim 82 wherein
said balloon comprises an overpressure zero pressure
balloon.

85. A method as defined in claim 63 wherein
the step of providing at least one relay station
includes the step of providing it with a plurality of sections,
selectively receiving and sending telecommunications
5 signals from and to said ground stations and/or other relay
stations by at least one of said sections,
transmitting energy to said last named section from at
least one of said other sections, and
said energy is operative to enable said telecommunica-
10 tions.

86. A method as defined in claim 85 wherein
the step of receiving and sending telecommunications
signals from and to said ground stations and/or other relay
15 stations is by at least two of said sections so that if there is
a failure of the ability to send and/or receive telecommunica-
tions signals from or to one of said sections, the other section
will continue to operate and thereby keep the relay station in
service.

87. A method as defined in claim 85 wherein
the step of transmitting energy to said section that
selectively receives and sends telecommunications signals from
and to said ground stations and/or other relay stations includes
25 the step of transmitting energy by at least two of said
sections so that if there is a failure of the ability to
transmitting energy from one of said sections, the other section

will continue to operate and thereby keep the relay station in service.

5 88. A method as defined in claim 85 wherein
said energy that is transmitted is microwave energy,
converting said microwave energy to electric energy,
and
using said electric energy for said telecommunication.

10 89. A method as defined in claim 85 wherein
said step of transmitting energy to said last named
section includes the steps of
collecting solar energy at said other section,
converting said solar energy to microwave energy, and
15 transmitting said microwave energy.

 90. A method as defined in claim 85 wherein
said step of transmitting energy to said last named
section includes the steps of
20 collecting wind energy at said other section, convert-
ing said wind energy to microwave energy, and
transmitting said microwave energy.

 91. A method as defined in claim 85 wherein
25 said step of transmitting energy to said last named
section includes the steps of

providing chemical energy at said other section,
converting said chemical energy to microwave energy, and
transmitting said microwave energy.

5 92. A method as defined in claim 85 wherein
said step of transmitting energy to said last named
section includes the steps of
collecting microwave energy at said other section, and
transmitting said microwave energy.

10

93. A method as defined in claim 63 wherein
said telecommunications signals are at the same
frequencies as those allocated to terrestrial telecommunications
signals.

15

94. A method as defined in claim 93 including the step
of
increasing the number of channels available for
communication on said frequencies by digital multiple access
20 technologies.

95. A method as defined in claim 94 wherein
said digital multiple access technology includes TDMA.

25

96. A method as defined in claim 94 wherein
said digital multiple access technology includes FDMA.

97. A method as defined in claim 94 wherein
said digital multiple access technology includes CDMA.

98. A method as defined in claim 63 including the step
5 of
providing a plurality of relay stations,
locating relay stations stationed over more densely
populated areas at lower altitudes than relay stations located
over less densely populated areas.

10

99. A method as defined in claim 98 wherein
said relay stations at lower altitudes require less
power for telecommunications signals than said higher relay
stations.

15

100. A method as defined in claim 63 including the step
of
providing a plurality of relay stations,
providing a narrow focus for the angle of reception and
20 propagation of telecommunications signals for those relay
stations over more densely populated areas, and
providing a broad focus for the angle of reception and
propagation of telecommunications signals for those relay
stations over less densely populated areas.

25

101. A method as defined in claim 100 including the steps of

providing said relay stations whose angles of reception and propagation are narrow with less power for their telecommunications signals than said relay stations whose angles of
5 reception and propagation are broad.

102. A relay station for a high altitude sub-orbital telecommunications system comprising

10 means for receiving and sending telecommunications signals from and to ground stations and/or from and to other relay stations, and

means for controlling the lateral and vertical movement of said relay station so that a predetermined altitude and location of said relay station can be achieved and maintained.
15

103. An apparatus as defined in claim 102 wherein said means for maintaining said relay station at said predetermined altitude and/or location comprises a thrust system,
20 and

means for energizing said thrust system.

104. An apparatus as defined in claim 102 wherein said means for controlling the lateral and vertical
25 movement of said relay station so that a predetermined altitude and location of said relay station can be achieved and maintained comprises

first means for identifying the current altitude and/or location of said relay station, and

second means for identifying a predetermined altitude and/or location for said relay station, and

5 an energizable thrust system on said relay station, said thrust system being selectively operative to move said relay station from its current altitude and/or location to said predetermined altitude and/or location.

10 105. An apparatus as defined in claim 104 wherein said thrust system comprises propellers.

106. An apparatus as defined in claim 104 wherein said thrust system comprises rockets.

15 107. An apparatus as defined in claim 104 wherein said thrust system comprises jets.

20 108. An apparatus as defined in claim 104 wherein said means for energizing said thrust system includes means for receiving and converting solar energy to electric energy.

25 109. An apparatus as defined in claim 104 wherein said means for energizing said thrust system includes means for receiving and converting wind energy to electric energy.

110. An apparatus as defined in claim 104 wherein said means for energizing said thrust system includes means for receiving and converting microwave energy to electric energy.

5

111. An apparatus as defined in claim 110 including at least one ground based microwave transmitter, and means for aiming a microwave beam at said microwave receiving means on said relay station.

10

112. An apparatus as defined in claim 111 including at least one microwave transmitter based on said relay station, and

15

means on said relay station for aiming a microwave beam at said receiving means on another relay station.

113. An apparatus as defined in claim 102 wherein said relay station comprises a balloon.

20

114. An apparatus as defined in claim 113 wherein said balloon includes means for controlling the temperature of the gas that it contains.

25

115. An apparatus as defined in claim 114 wherein said balloon includes a skin, and at least a portion of said skin is comprised of electro-chromatic material.

116. An apparatus as defined as in claim 115 wherein said balloon comprises a zero pressure balloon.

5

117. An apparatus as defined as in claim 115 wherein said balloon comprises an overpressure zero pressure balloon.

10

118. An apparatus as defined in claim 114 wherein said balloon includes a skin, and at least a portion of said skin is comprised of photochromatic material.

15

119. An apparatus as defined as in claim 118 wherein said balloon comprises a zero pressure balloon.

120. An apparatus as defined as in claim 118 wherein said balloon comprises an overpressure zero pressure balloon.

20

121. An apparatus as defined in claim 102 wherein said relay station is lighter than air.

25

122. An apparatus as defined in claim 121 wherein said means for controlling said lateral movement comprises a thrust system, and electric means for driving said thrust system.

123. An apparatus as defined in claim 121 wherein said thrust system comprises a plurality of propellers.

5 124. An apparatus as defined in claim 121 wherein said thrust system comprises a plurality of rockets.

125. An apparatus as defined in claim 121 wherein said thrust system comprises a plurality of jets.

10 126. An apparatus as defined in claim 121 wherein said relay station comprises an inflatable device, and means connected to said inflatable device for deflating it while it is aloft.

15 127. An apparatus as defined in claim 126 wherein said means for deflating said inflatable devices is operative in response to a signal from a remote source.

20 128. An apparatus as defined in claim 127 wherein said means for deflating said inflatable device includes an opening in said inflatable device, a cover closing said opening and being operative to seal said opening against the escape of gases from said inflatable device, and
25 an explosive charge connected to said cover, said explosive charge being operative when detonated to remove said cover from said opening.

129. An apparatus as defined in claim 127 wherein said means for deflating said inflatable device includes

an opening in said inflatable device,

a cover closing said opening against the escape of
5 gases from said inflatable device, and

a plurality of clamping brackets for releasably retaining said cover in sealing relation with said opening,

at least one electrically driven motor supported by said inflatable device, said electrically driven motor being in
10 engagement with said clamping brackets and being operative when energized to move said clamping brackets so that they release said cover from said opening.

130. An apparatus in defined in claim 126 wherein

15 said inflatable device includes a parachute for controlling its descent when it is recovered.

131. An apparatus as defined in claim 130 including means for deploying said parachute, and

20 means for connecting said means for deploying said parachute to said means for deflating said inflatable device so that said parachute is deployed when said inflatable device is deflated.

132. An apparatus as defined in claim 130 including

25 radio controlled means supported by said inflatable device and being connected to the control lines for said parachute, and

said radio controlled means is operative to provide directional control to said parachute as it descends.

5 133. An apparatus as defined in claim 113 wherein
said balloon includes means for controlling its
altitude.

10 134. An apparatus as defined as in claim 133 wherein
said balloon comprises a zero pressure balloon.

 135. An apparatus as defined as in claim 133 wherein
said balloon comprises an overpressure zero pressure
balloon.

15 136. An apparatus as defined in claim 113 wherein
said balloon comprises a super pressure balloon.

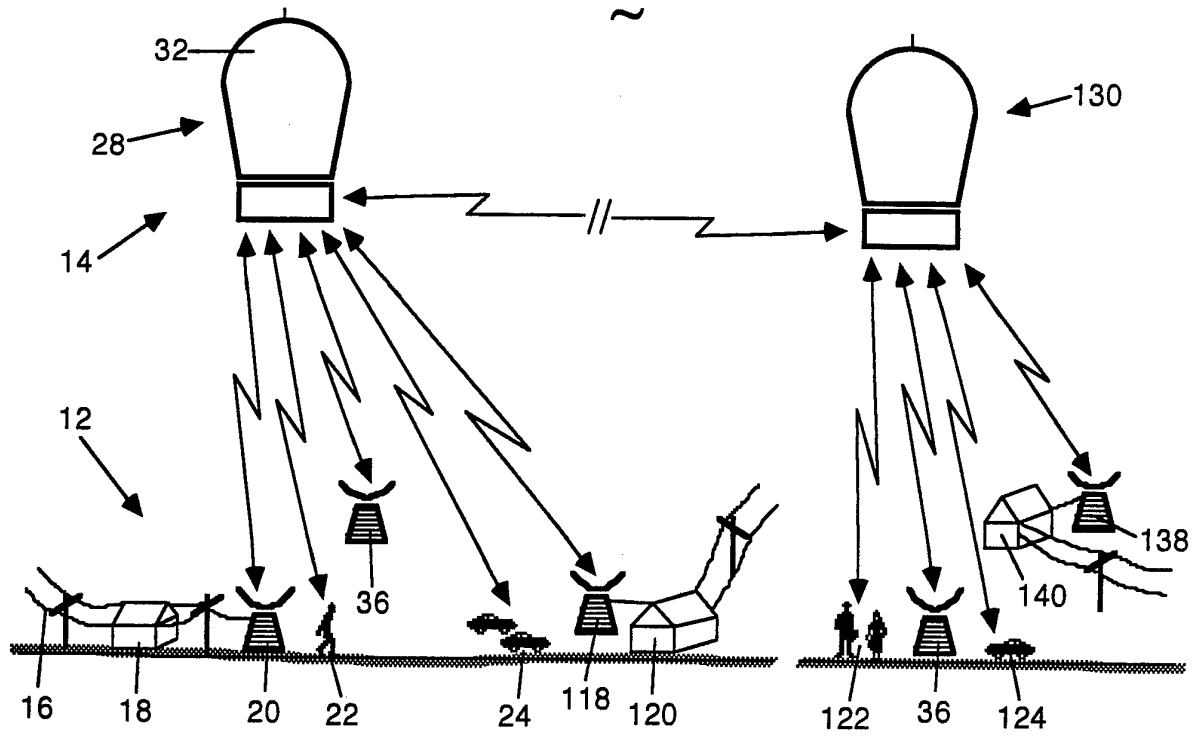


FIG. 1

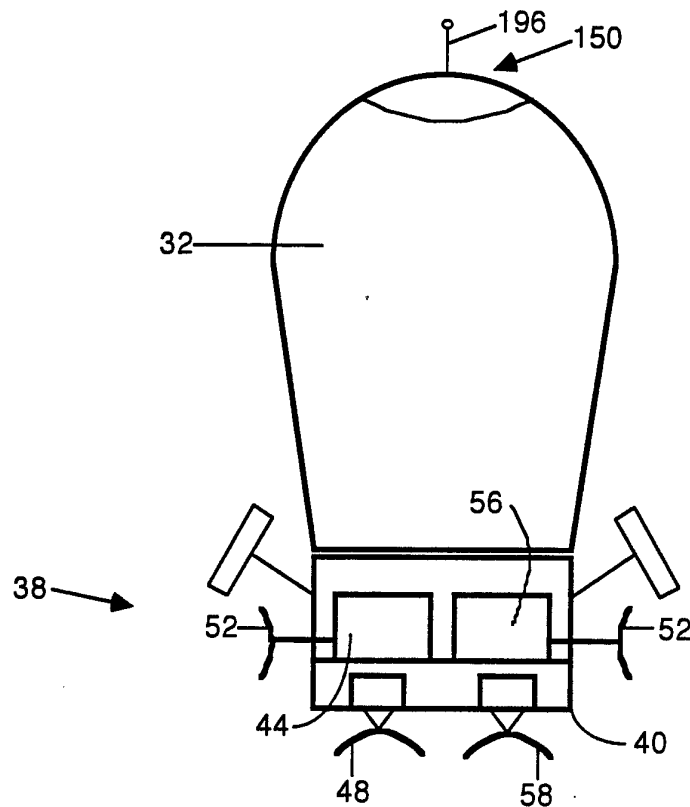


FIG. 2 SUBSTITUTE SHEET (RULE 26)

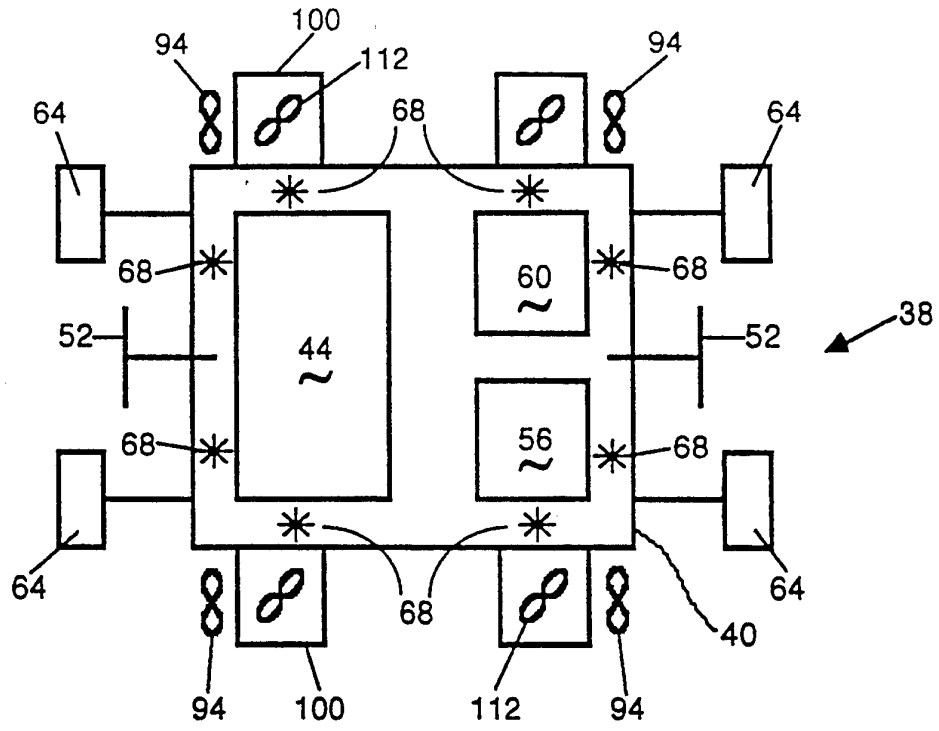


FIG. 3

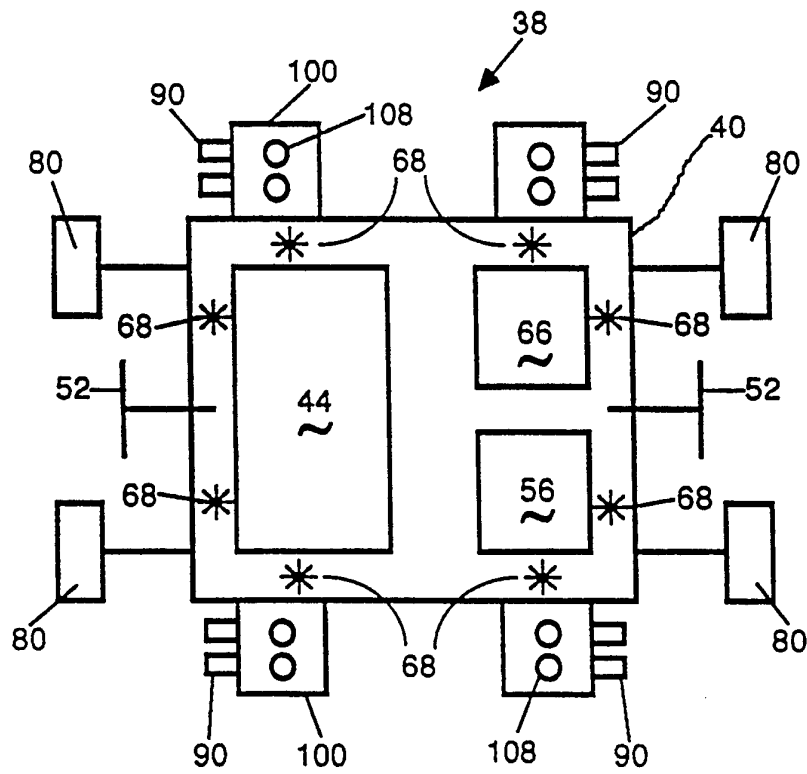


FIG. 4

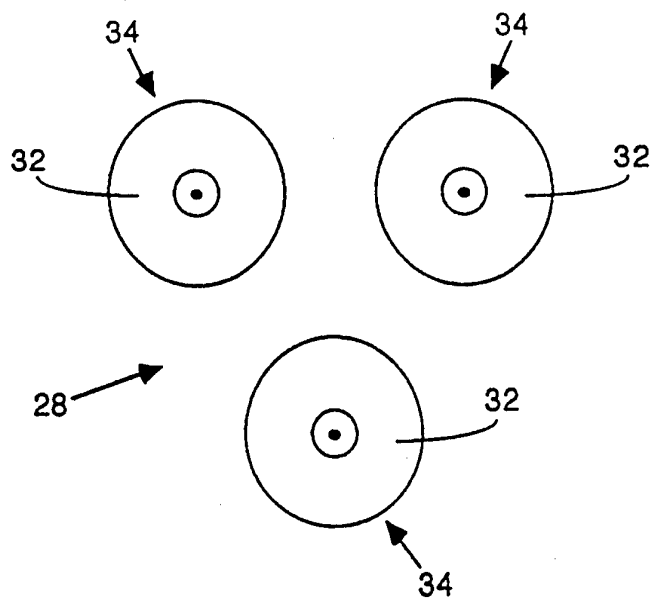


FIG. 5A

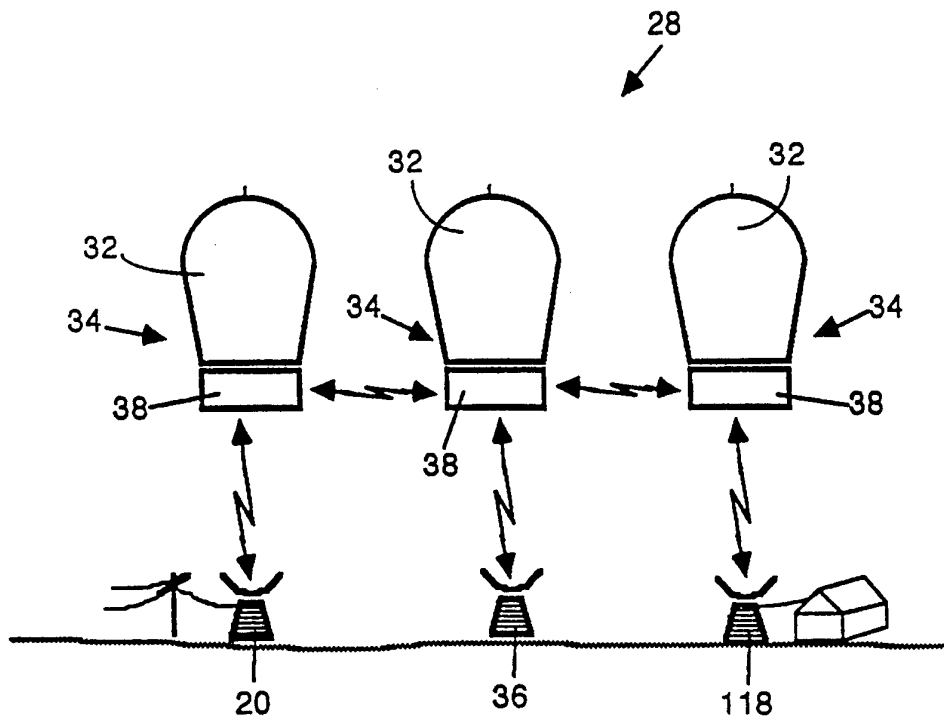


FIG. 5B

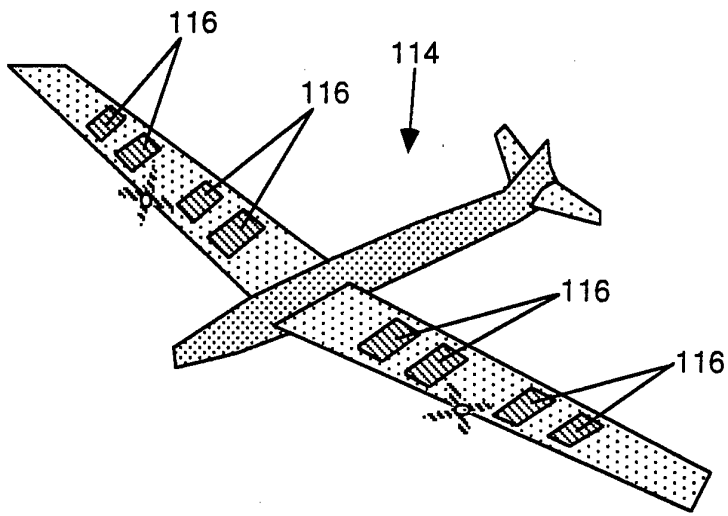


FIG. 6A

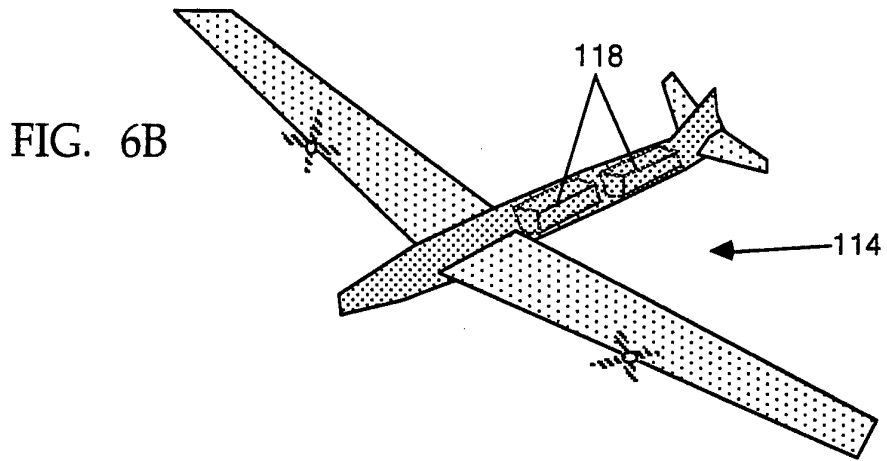


FIG. 6B

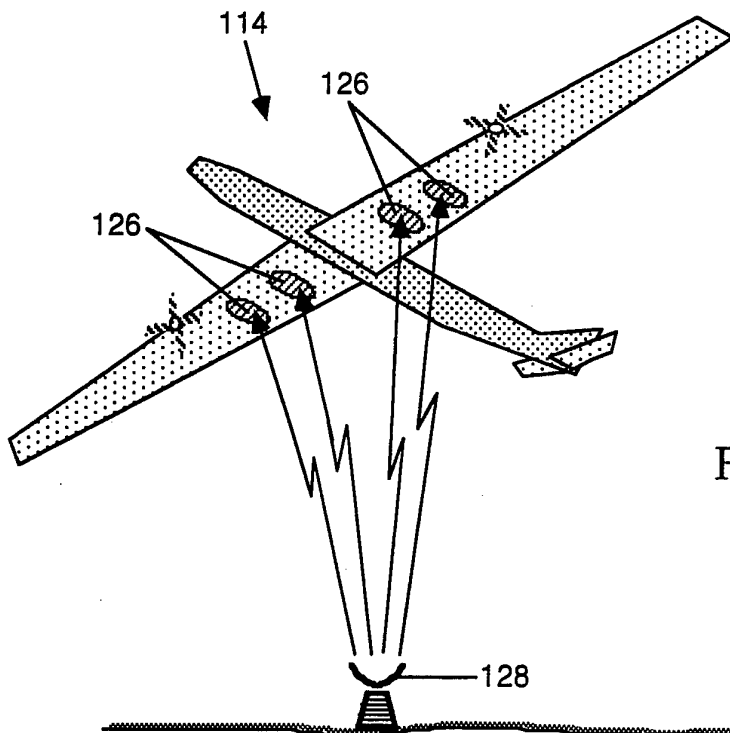


FIG. 6C

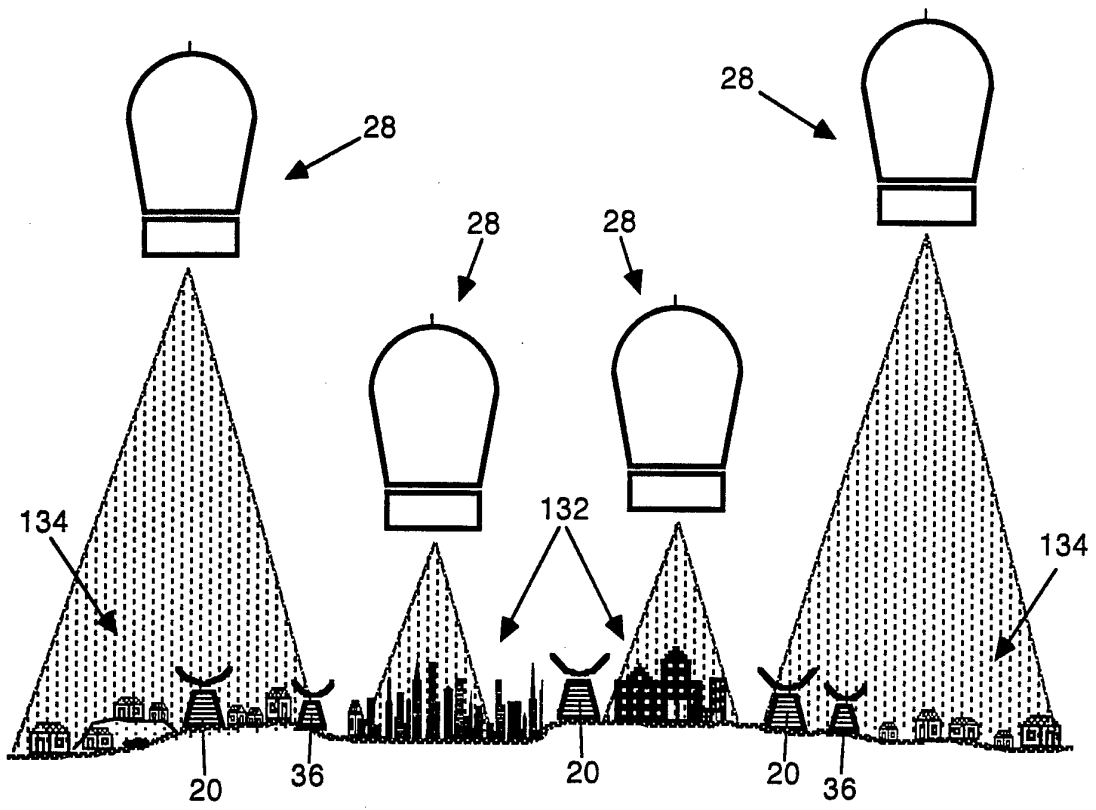


FIG. 7A

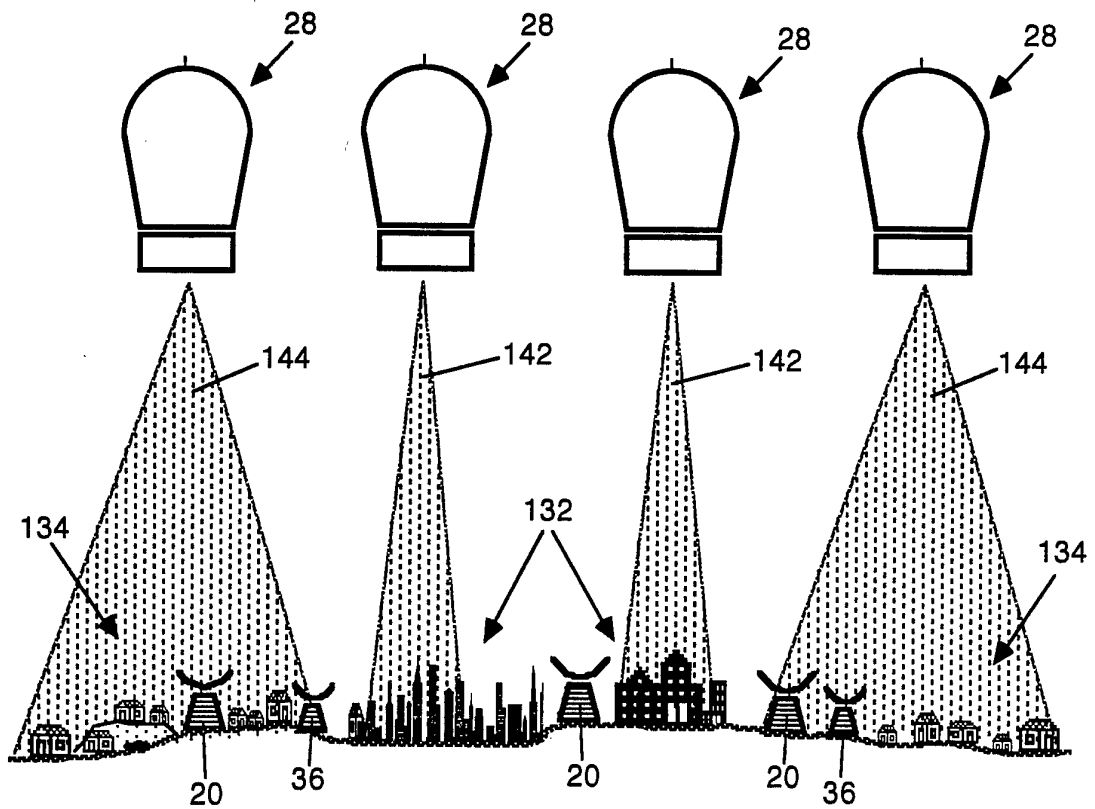


FIG. 7B
SUBSTITUTE SHEET (RULE 26)

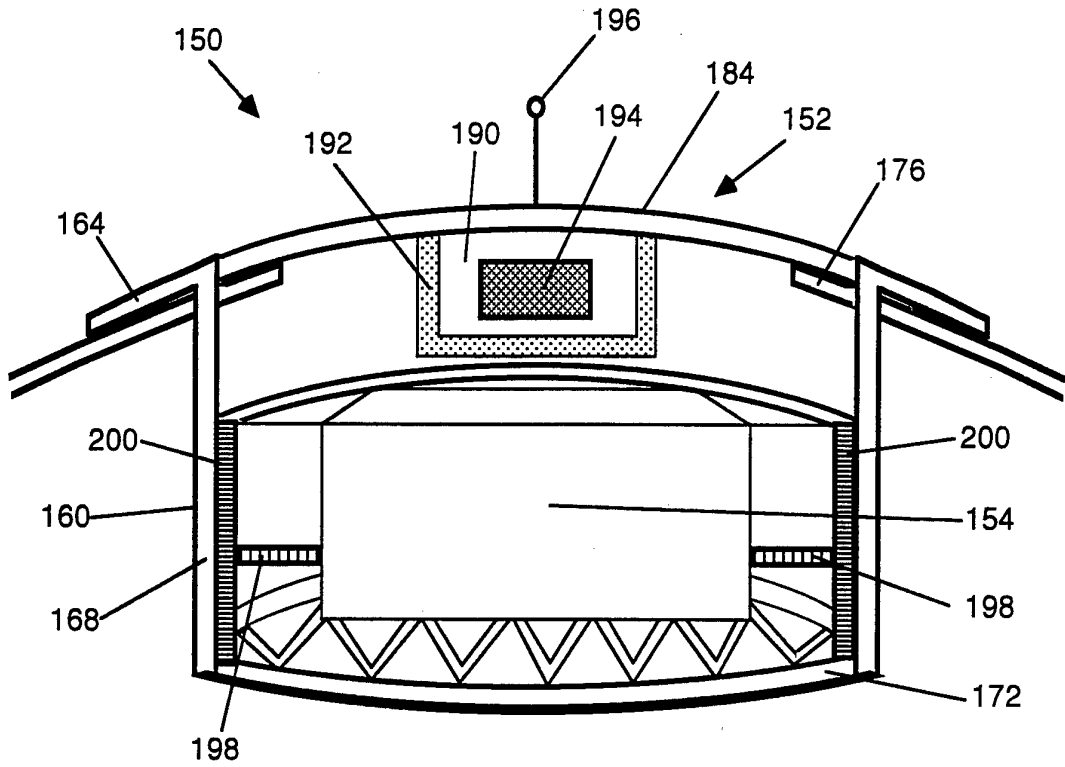


FIG. 8

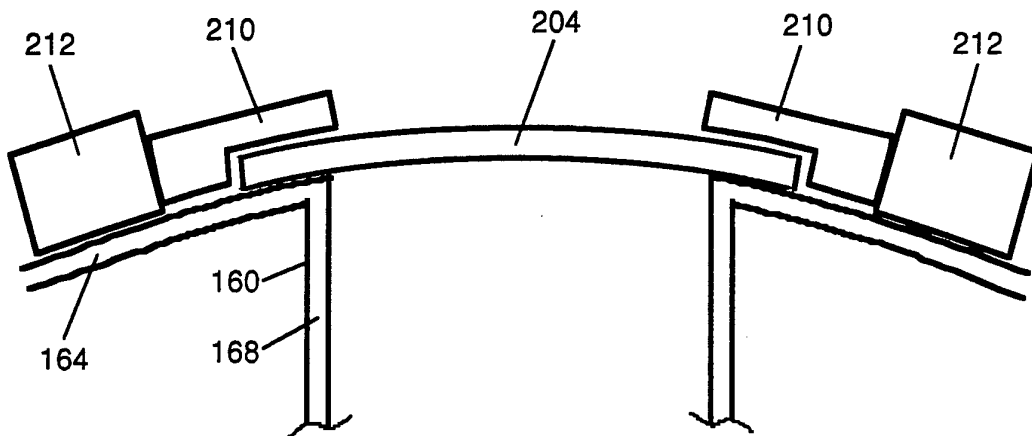


FIG. 9

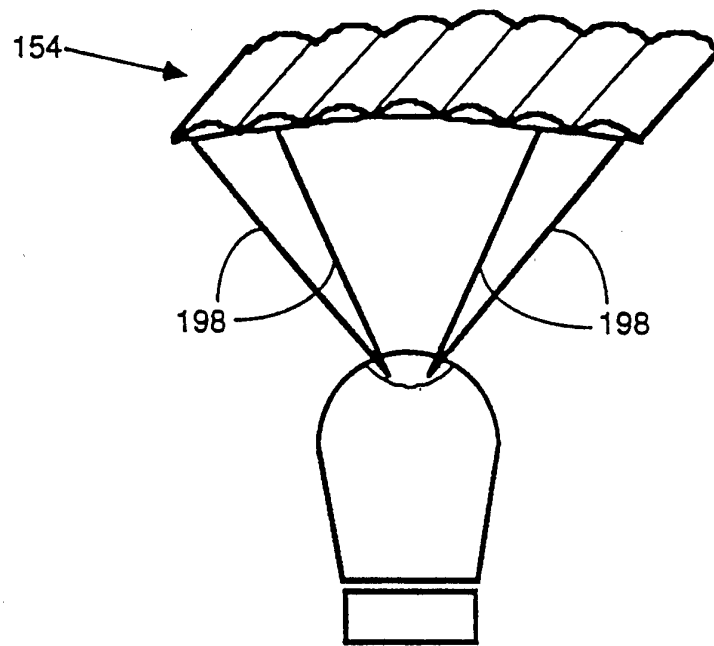


FIG. 10

INTERNATIONAL SEARCH REPORT

International application No.
PCT/US94/08059**A. CLASSIFICATION OF SUBJECT MATTER**

IPC(5) :H04B 7/185; B64B 1/44, 1/48; B64G 1/24.

US CL :455/12.1, 13.1; 244/32, 33, 169, 171.

According to International Patent Classification (IPC) or to both national classification and IPC

B. FIELDS SEARCHED

Minimum documentation searched (classification system followed by classification symbols)

U.S. : Please See Extra Sheet.

Documentation searched other than minimum documentation to the extent that such documents are included in the fields searched

NONE

Electronic data base consulted during the international search (name of data base and, where practicable, search terms used)

NONE

C. DOCUMENTS CONSIDERED TO BE RELEVANT

Category*	Citation of document, with indication, where appropriate, of the relevant passages	Relevant to claim No.
Y	US, A, 3,092,770 (SHOEMAKER) 04 June 1963, See figure 1, columns 2-3.	1-136
Y	US, A, 5,149,015 (DAVIS) 22 September 1992, See figures 1, 4-5, columns 3-4.	1-136
Y	US, A, 3,614,031 (DEMBOSKI) 19 October 1971, See figures 3-7, abstract, column 2.	18-24, 126-136.
Y	US, A, 2,699,495 (MAGNUSKI et al) 11 January 1955, See figure 1, column 4, lines 17-26.	41-42.
Y	US, A, 2,626,348 (NOBLES) 20 January 1953, See figures 1, 6, column 7, lines 45-50, column 14, line 46 to column 18, line 56.	49-56, 86-87.

 Further documents are listed in the continuation of Box C. See patent family annex.

* Special categories of cited documents:	"T" later document published after the international filing date or priority date and not in conflict with the application but cited to understand the principle or theory underlying the invention
"A" document defining the general state of the art which is not considered to be part of particular relevance	"X" document of particular relevance; the claimed invention cannot be considered novel or cannot be considered to involve an inventive step when the document is taken alone
"E" earlier document published on or after the international filing date	"Y" document of particular relevance; the claimed invention cannot be considered to involve an inventive step when the document is combined with one or more other such documents, such combination being obvious to a person skilled in the art
"L" document which may throw doubts on priority claim(s) or which is cited to establish the publication date of another citation or other special reason (as specified)	"&" document member of the same patent family
"O" document referring to an oral disclosure, use, exhibition or other means	
"P" document published prior to the international filing date but later than the priority date claimed	

Date of the actual completion of the international search

20 OCTOBER 1994

Date of mailing of the international search report

23 NOV 1994

Name and mailing address of the ISA/US
Commissioner of Patents and Trademarks
Box PCT
Washington, D.C. 20231

Facsimile No. (703) 305-3230

Authorized officer

NGUYEN VO

Telephone No. (703) 308-6728

INTERNATIONAL SEARCH REPORT

International application No.
PCT/US94/08059

C (Continuation). DOCUMENTS CONSIDERED TO BE RELEVANT		
Category*	Citation of document, with indication, where appropriate, of the relevant passages	Relevant to claim No.
Y	US, A, 2,748,266 (BOYD) 29 May 1956, See figure 1.	49-56, 86-87.
Y	US, A, 2,598,064 (LINDENBLAD) 27 May 1952, See figure 1.	49-56, 86-87.
Y	US, A, 4,039,947 (MIEDEMA) 02 August 1977, See figure 1, abstract.	41-42.

INTERNATIONAL SEARCH REPORT

International application No.
PCT/US94/08059

B. FIELDS SEARCHED

Minimum documentation searched

Classification System: U.S.

455/12.1, 13.1, 11.1, 8, 15, 25, 7, 49.1, 53.1, 54.1, 56.1, 33.1; 244/3.14, 3.19, 164, 169, 171, 172, 173, 24, 31, 32, 33; 342, 2; 370/95.3, 69.1, 18, 19.