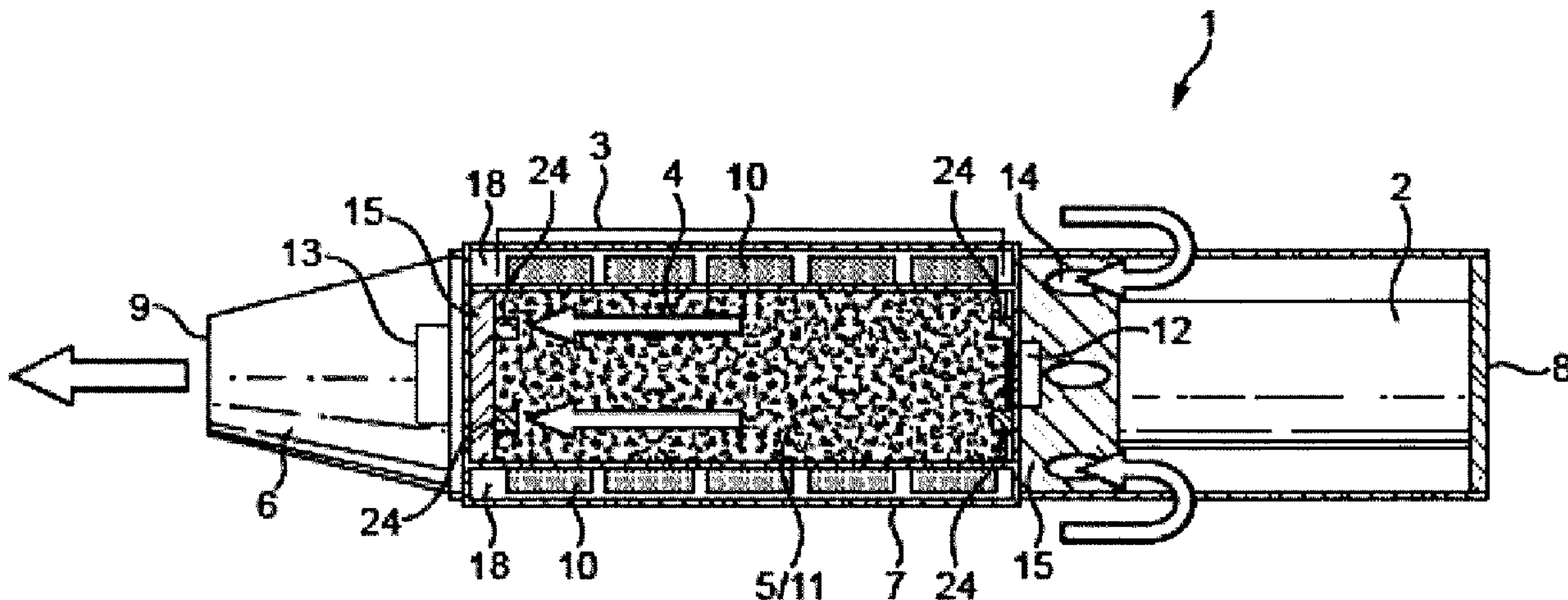




(86) **Date de dépôt PCT/PCT Filing Date:** 2013/04/11  
 (87) **Date publication PCT/PCT Publication Date:** 2013/10/31  
 (85) **Entrée phase nationale/National Entry:** 2014/08/29  
 (86) **N° demande PCT/PCT Application No.:** EP 2013/057539  
 (87) **N° publication PCT/PCT Publication No.:** 2013/160112  
 (30) **Priorité/Priority:** 2012/04/23 (GB1207039.7)

(51) **Cl.Int./Int.Cl. A24F 47/00** (2006.01),  
**F16L 59/065** (2006.01), **H05B 3/14** (2006.01),  
**H05B 3/42** (2006.01)  
 (71) **Demandeur/Applicant:**  
 BRITISH AMERICAN TOBACCO (INVESTMENTS)  
 LIMITED, GB  
 (72) **Inventeurs/Inventors:**  
 SALEEM, FOZIA, GB;  
 WOODMAN, THOMAS, GB  
 (74) **Agent:** SMART & BIGGAR

(54) **Titre : CHAUFFAGE D'UN MATERIAU A FUMER**  
 (54) **Title: HEATING SMOKEABLE MATERIAL**



**FIG. 1**

(57) **Abrégé/Abstract:**

An apparatus comprising a film heater configured to heat smokeable material to volatilise at least one component of the smokeable material for inhalation.

(12) INTERNATIONAL APPLICATION PUBLISHED UNDER THE PATENT COOPERATION TREATY (PCT)

(19) World Intellectual Property  
Organization  
International Bureau(10) International Publication Number  
**WO 2013/160112 A3**(43) International Publication Date  
31 October 2013 (31.10.2013)

## (51) International Patent Classification:

A24F 47/00 (2006.01) F16L 59/065 (2006.01)  
H05B 3/42 (2006.01) H05B 3/14 (2006.01)

## (21) International Application Number:

PCT/EP2013/057539

## (22) International Filing Date:

11 April 2013 (11.04.2013)

## (25) Filing Language:

English

## (26) Publication Language:

English

## (30) Priority Data:

1207039.7 23 April 2012 (23.04.2012) GB

(71) Applicant: **BRITISH AMERICAN TOBACCO (INVESTMENTS) LIMITED** [GB/GB]; Globe House, 1 Water Street, London WC2R 3LA (GB).(72) Inventors: **SALEEM, Fozia**; c/o Globe House, 1 Water Street, London WC2R 3LA (GB). **WOODMAN, Thomas**; c/o Globe House, 1 Water Street, London WC2R 3LA (GB).(74) Agent: **EIP EUROPE LLP**; Fairfax House, 15 Fulwood Place, London WC1V 6HU (GB).

(81) Designated States (unless otherwise indicated, for every kind of national protection available): AE, AG, AL, AM, AO, AT, AU, AZ, BA, BB, BG, BH, BN, BR, BW, BY,

BZ, CA, CH, CL, CN, CO, CR, CU, CZ, DE, DK, DM, DO, DZ, EC, EE, EG, ES, FI, GB, GD, GE, GH, GM, GT, HN, HR, HU, ID, IL, IN, IS, JP, KE, KG, KM, KN, KP, KR, KZ, LA, LC, LK, LR, LS, LT, LU, LY, MA, MD, ME, MG, MK, MN, MW, MX, MY, MZ, NA, NG, NI, NO, NZ, OM, PA, PE, PG, PH, PL, PT, QA, RO, RS, RU, RW, SC, SD, SE, SG, SK, SL, SM, ST, SV, SY, TH, TJ, TM, TN, TR, TT, TZ, UA, UG, US, UZ, VC, VN, ZA, ZM, ZW.

(84) Designated States (unless otherwise indicated, for every kind of regional protection available): ARIPO (BW, GH, GM, KE, LR, LS, MW, MZ, NA, RW, SD, SL, SZ, TZ, UG, ZM, ZW), Eurasian (AM, AZ, BY, KG, KZ, RU, TJ, TM), European (AL, AT, BE, BG, CH, CY, CZ, DE, DK, EE, ES, FI, FR, GB, GR, HR, HU, IE, IS, IT, LT, LU, LV, MC, MK, MT, NL, NO, PL, PT, RO, RS, SE, SI, SK, SM, TR), OAPI (BF, BJ, CF, CG, CI, CM, GA, GN, GQ, GW, ML, MR, NE, SN, TD, TG).

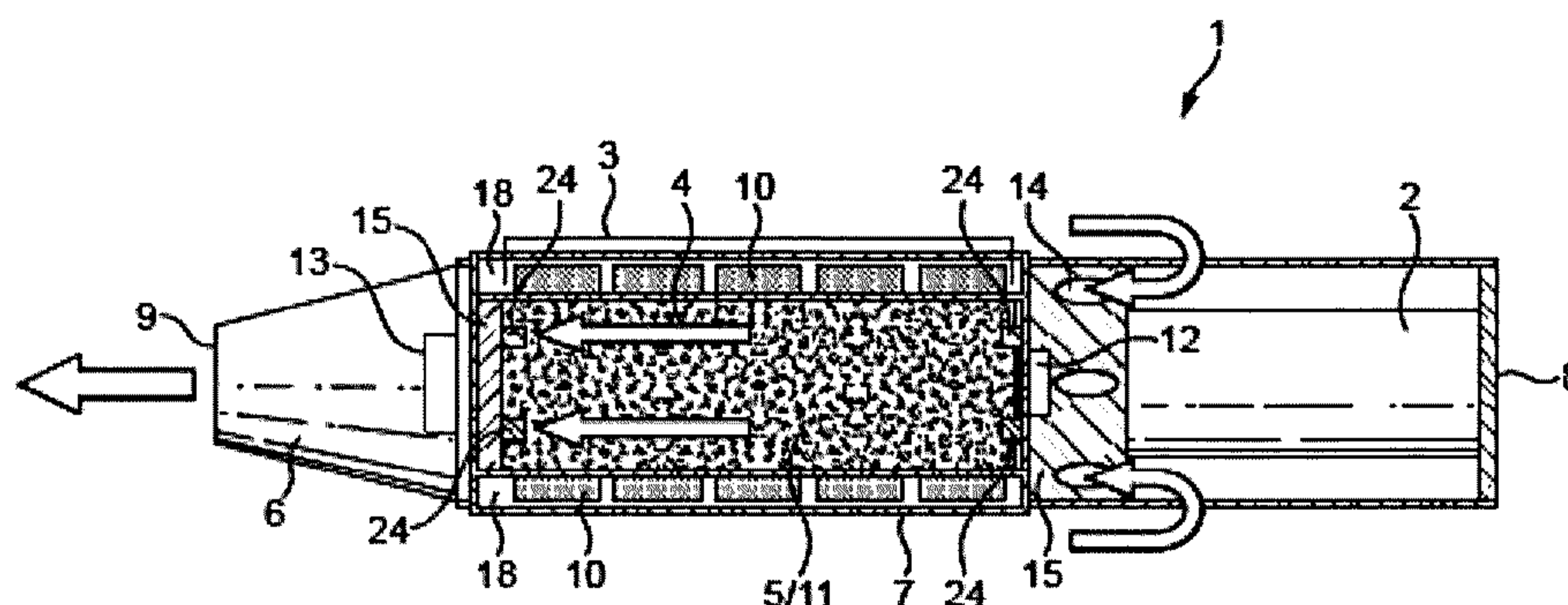
## Published:

- with international search report (Art. 21(3))
- before the expiration of the time limit for amending the claims and to be republished in the event of receipt of amendments (Rule 48.2(h))

## (88) Date of publication of the international search report:

3 April 2014

(54) Title: HEATING SMOKEABLE MATERIAL

**FIG. 1**

(57) Abstract: An apparatus comprising a film heater 3 configured to heat smokeable material to volatilize at least one component of the smokeable material for inhalation.

## Heating Smokeable Material

### Field

The invention relates to heating smokeable material.

5

### Background

Smoking articles such as cigarettes and cigars burn tobacco during use to create tobacco smoke. Attempts have been made to provide alternatives to these smoking articles by creating products which release compounds without creating tobacco smoke. Examples of such products are so-called heat-not-burn products which release compounds by heating, but not burning, tobacco.

10

### Summary

According to the invention, there is provided an apparatus comprising a film heater configured to heat smokeable material to volatilize at least one component of the smokeable material for inhalation.

15

The film heater may be a polyimide film heater.

20

The heater may have a thickness of less than 1mm.

The heater may have a thickness of less than 0.5mm.

25

The heater may have a thickness of between approximately 0.2mm and 0.0002mm.

The apparatus may comprise thermal insulation integrated with the heater.

The apparatus may comprise thermal insulation lined with the heater.

30

The apparatus may comprise thermal insulation separated from the heater by a barrier.

The barrier may comprise a layer of stainless steel.

The thermal insulation may comprise a core region which is evacuated to a lower pressure than an exterior of the insulation.

5 Wall sections of the insulation either side of the core region may converge to a sealed gas outlet.

A thickness of the insulation may be less than approximately 1mm.

10 A thickness of the insulation may be less than approximately 0.1mm.

A thickness of the insulation may be between approximately 1mm and 0.001mm.

15 The apparatus may comprise a mouthpiece for inhaling volatized components of the smokeable material.

The apparatus may be configured to heat the smokeable material without combusting the smokeable material.

20 In accordance with the invention, there is provided a method of manufacturing the apparatus and a method of heating smokeable material using the apparatus.

The insulation may be located between a smokeable material heating chamber and an exterior of the apparatus to reduce heat loss from heated smokeable material.

25 The insulation may be located co-axially around the heating chamber.

The smokeable material heating chamber may comprise a substantially tubular heating chamber and the insulation may be located around a longitudinal surface of  
30 the tubular heating chamber.

The insulation may comprise a substantially tubular body of insulation located around the heating chamber.

The smokeable material heating chamber may be located between the insulation and a heater.

- 5 A heater may be located between the smokeable material heating chamber and the insulation.

The insulation may be located externally of the heater.

- 10 The heater may be located co-axially around the heating chamber and the insulation may be located co-axially around the heater.

The insulation may comprise an infra-red radiation-reflective material to reduce the propagation of the infra-red radiation through the insulation.

15

The insulation may comprise an exterior wall which encloses the core region.

An internal surface of the wall may comprise an infra-red radiation-reflective coating to reflect infra-red radiation within the core region.

20

The wall may comprise a layer of stainless steel having a thickness of at least approximately 100 microns.

- 25 Wall sections either side of the core region may be connected by a joining wall section which follows an indirect path between the sections either side of the core region.

A pressure in the core region may be between approximately 0.1 and approximately 0.001 mbar.

30

A heat transfer coefficient of the insulation may be between approximately 1.10 W/(m<sup>2</sup>K) and approximately 1.40 W/(m<sup>2</sup>K) when a temperature of the insulation is in a range of from 150 degrees Celsius to 250 degrees Celsius.

The core region may comprise a porous material.

The converging wall sections may converge in an end region of the insulation.

5

The heater may be electrically-powered.

For exemplary purposes only, embodiments of the invention are described below with reference to the accompanying figures in which:

10

#### **Brief description of the figures**

Figure 1 is a schematic, cross sectional illustration of an apparatus configured to heat smokeable material to release aromatic compounds and/or nicotine from the smokeable material;

15 Figure 2 is a perspective, partially cut-away illustration of an apparatus configured to heat smokeable material to release aromatic compounds and/or nicotine from the smokeable material;

figure 3 is a perspective, partially cut-away illustration of an apparatus configured to heat smokeable material, in which the smokeable material is provided around an elongate ceramic heater divided into radial heating sections;

20 figure 4 is an exploded, partially cut-away view of an apparatus configured to heat smokeable material, in which the smokeable material is provided around an elongate ceramic heater divided into radial heating sections;

figure 5 is a flow diagram showing a method of activating heating regions and opening and closing heating chamber valves during puffing;

25 figure 6 is a schematic illustration of a gaseous flow through an apparatus configured to heat smokeable material;

figure 7 is a graphical illustration of a heating pattern which can be used to heat smokeable material using a heater;

30 figure 8 is a schematic illustration of a smokeable material compressor configured to compress smokeable material during heating;

figure 9 is a schematic illustration of a smokeable material expander configured to expand smokeable material during puffing;

figure 10 is a flow diagram showing a method of compressing smokeable material during heating and expanding the smokeable material for puffing;

figure 11 is a schematic, cross-sectional illustration of a section of vacuum insulation configured to insulate heated smokeable material from heat loss;

5 figure 12 is another schematic, cross-sectional illustration of a section of vacuum insulation configured to insulate heated smokeable material from heat loss;

figure 13 is a schematic, cross-sectional illustration of a heat resistive thermal bridge which follows an indirect path from a higher temperature insulation wall to a lower temperature insulation wall;

10 figure 14 is a schematic, cross-sectional illustration of a heat shield and a heat-transparent window which are moveable relative to a body of smokeable material to selectively allow thermal energy to be transmitted to different sections of the smokeable material through the window;

figure 15 is schematic, cross sectional illustration of part of an apparatus configured 15 to heat smokeable material, in which a heating chamber is hermetically sealable by check valves; and

figure 16 is a schematic, cross sectional illustration of a partial section of deep-vacuum insulation configured to thermally insulate an apparatus configured to heat smokeable material.

20

### **Detailed description**

As used herein, the term 'smokeable material' includes any material that provides volatilized components upon heating and includes any tobacco-containing material and may, for example, include one or more of tobacco, tobacco derivatives, 25 expanded tobacco, reconstituted tobacco or tobacco substitutes.

An apparatus 1 for heating smokeable material comprises an energy source 2, a heater 3 and a heating chamber 4. The energy source 2 may comprise a battery such as a Li-ion battery, Ni battery, Alkaline battery and/or the like, and is electrically 30 coupled to the heater 3 to supply electrical energy to the heater 3 when required. The heating chamber 4 is configured to receive smokeable material 5 so that the smokeable material 5 can be heated in the heating chamber 4. For example, the heating chamber 4 may be located adjacent to the heater 3 so that thermal energy

from the heater 3 heats the smokeable material 5 therein to volatilize aromatic compounds and nicotine in the smokeable material 5 without burning the smokeable material 5. A mouthpiece 6 is provided through which a user of the apparatus 1 can inhale the volatilized compounds during use of the apparatus 1.

5 The smokeable material 5 may comprise a tobacco blend.

A housing 7 may contain components of the apparatus 1 such as the energy source 2 and heater 3. As shown in figure 1, the housing 7 may comprise an approximately cylindrical tube with the energy source 2 located towards its first end 8 and the  
10 heater 3 and heating chamber 4 located towards its opposite, second end 9. The energy source 2 and heater 3 extend along the longitudinal axis of the housing 7. For example, as shown in figure 1, the energy source 2 and heater 3 can be aligned along the central longitudinal axis of the housing 7 in a substantially end-to-end arrangement so that an end face of the energy source 2 faces an end face of the  
15 heater 3. The length of the housing 7 may be approximately 130mm, the length of energy source may be approximately 59mm, and the length of the heater 3 and heating region 4 may be approximately 50mm. The diameter of the housing 7 may be between approximately 15mm and approximately 18mm. For example, the diameter of the housing's first end 8 may be 18mm whilst the diameter of the  
20 mouthpiece 6 at the housing's second end 9 may be 15mm. The diameter of the heater 3 may be between approximately 2.0mm and approximately 6.0mm. The diameter of the heater 3 may, for example, be between approximately 4.0mm and approximately 4.5mm or between approximately 2.0mm and approximately 3.0mm. Heater diameters and thicknesses outside these ranges may alternatively be used.  
25 For example, the diameter of the housing 7 and size of the apparatus 1 as a whole can be reduced significantly by the use of the film heater 3 and vacuum insulation 18 described below. The depth of the heating chamber 4 may be approximately 5mm and the heating chamber 4 may have an exterior diameter of approximately 10mm at its outwardly-facing surface. The diameter of the energy source 2 may be  
30 between approximately 14.0mm and approximately 15.0mm, such as 14.6mm. However, an energy source 2 with a smaller diameter could alternatively be used.

Heat insulation may be provided between the energy source 2 and the heater 3 to prevent direct transfer of heat from one to the other. The mouthpiece 6 can be located at the second end 9 of the housing 7, adjacent the heating chamber 4 and smokeable material 5. The housing 7 is suitable for being gripped by a user during  
5 use of the apparatus 1 so that the user can inhale volatilized smokeable material compounds from the mouthpiece 6 of the apparatus 1.

The heater 3 may comprise a film heater 3 such as a film polyimide heater 3. An example is a Kapton® polyimide heater 3. Other materials could alternatively be  
10 used. The film heater 3 has high tensile strength and high resistance to tearing. The dielectric strength of the heater 3 may be approximately 1000VAC. The film heater 3 has a small thickness, such as less than 1mm, which can contribute significantly in reducing the size of the apparatus 1 compared to the use of other types of heaters. An example thickness of the film 3 is approximately 0.2mm,  
15 although heaters 3 with smaller and larger thickness dimensions can alternatively be used. For example, the thickness of the film heater 3 may be as low as approximately 0.0002mm. The power output of the heater 3 may be between approximately 5W/cm<sup>2</sup> and approximately 8W/cm<sup>2</sup>, although the power output may be lower and may be controlled, as required, over time. The film heater 3 may  
20 optionally be transparent, thereby allowing easy inspection of its internal structure. Such ease of inspection may be beneficial for quality control and maintenance tasks. The film heater 3 may incorporate one or more etched foil heating elements for heating the smokeable material in the heating chamber 4. The operating temperature of the heater 3 may, for example, be up to approximately 260°C. The  
25 apparatus 1 may comprise a Resistance Temperature Detector (RTD) or a thermocouple for use with controlling the temperature of the heater 3. Sensors may be mounted to a surface of the heater 3, which are configured to send resistance measurements to a controller 12 so that the controller 12 can maintain or adjust the temperature of the heater 3 as required. For example, the controller 12 may cycle  
30 the heater 3 at a set temperature for a predetermined period of time or may vary the temperature in accordance with a heating regime. The controller 12 and examples of heating regimes are described in more detail below. The film heater 3 has a low mass and therefore its use can help to reduce the overall mass of the apparatus 1.

As shown in figure 1, the heater 3 may comprise a plurality of individual heating regions 10. The heating regions 10 may be operable independently of one another so that different regions 10 can be activated at different times to heat the smokeable material 5. The heating regions 10 may be arranged in the heater 3 in any geometric arrangement. However, in the example shown in figure 1, the heating regions 10 are geometrically arranged in the heater 3 so that different ones of the heating regions 10 are arranged to predominately and independently heat different regions of the smokeable material 5.

10

For example, referring to figures 1 and 2, the heater 3 may comprise a plurality of axially aligned heating regions 10 in a substantially elongate arrangement. The regions 10 may each comprise an individual element of the heater 3. The heating regions 10 may, for example, all be aligned with each other along a longitudinal axis of the heater 3, thus providing a plurality of independent heating zones along the length of the heater 3.

Referring to figure 1, each heating region 10 may comprise a hollow heating cylinder 10, which may be a ring 10, having a finite length which is significantly less than the length of the heater 3 as a whole. The arrangement of axially aligned heating regions 10 define the exterior of the heating chamber 4 and are configured to heat smokeable material 5 located in the heating chamber 4. The heat is applied inwardly, predominately towards the central longitudinal axis of the heating chamber 4. The heating regions 10 are arranged with their radial, or otherwise transverse, surfaces facing one another along the length of the heater 3. The transverse surfaces of each heating region 10 may be separated from the transverse surfaces of their neighbouring heating region(s) 10 by thermal insulation 18, as shown in figure 1 and described below.

As shown in figure 2, the heater 3 may alternatively be located in a central region of the housing 7 and the heating chamber 4 and smokeable material 5 may be located around the longitudinal surface of the heater 3. In this arrangement, thermal energy

emitted by the heater 3 travels outwards from the longitudinal surface of the heater 3 into the heating chamber 4 and the smokeable material 5.

The heating regions 10 may each comprise an individual element of the heater 3. As shown in figures 1 and 2, each heating region 10 may comprise a heating cylinder 10 having a finite length which is significantly less than the length of the heater 3 as a whole. However, other configurations of heater 3 could alternatively be used and so the use of cylindrical sections of film heater 3 is not required. The heating regions 10 may be arranged with their transverse surfaces facing one another along the length of the heater 3. The transverse surfaces of each region 10 may touch the transverse surfaces of its neighbouring regions 10. Alternatively, a heat insulating or heat reflecting layer may be present between the transverse surfaces of the regions 10 so that thermal energy emitted from each one of the regions 10 does not substantially heat the neighbouring regions 10 and instead travels predominately into the heating chamber 4 and smokeable material 5. Each heating region 10 may have substantially the same dimensions as the other regions 10.

In this way, when a particular one of the heating regions 10 is activated, it supplies thermal energy to the smokeable material 5 located adjacent, for example radially adjacent, the heating region 10 without substantially heating the remainder of the smokeable material 5. Referring to figure 2, the heated region of smokeable material 5 may comprise a ring of smokeable material 5 located around the heating region 10 which has been activated. The smokeable material 5 can therefore be heated in independent sections, for example rings or substantially solid cylinders, where each section corresponds to smokeable material 5 located directly adjacent a particular one of the heating regions 10 and has a mass and volume which is significantly less than the body of smokeable material 5 as a whole.

Additionally or alternatively, the heater 3 may comprise a plurality of elongate, longitudinally extending heating regions 10 positioned at different locations around the central longitudinal axis of the heater 3. The heating regions 10 may be of different lengths, or may be of substantially the same length so that each extends along substantially the whole length of the heater 3.

The heated sections of smokeable material 5 may comprise longitudinal sections of smokeable material 5 which lie parallel and directly adjacent to the longitudinal heating regions 10. Therefore, as explained previously, the smokeable material 5  
5 can be heated in independent sections.

As will be described further below, the heating regions 10 can each be individually and selectively activated.

10 The smokeable material 5 may be comprised in a cartridge 11 which can be inserted into the heating chamber 4. For example, as shown in figure 1, the cartridge 11 can comprise a substantially solid body of smokeable material 5 such as a cylinder which fits into a recess of the heater 3. In this configuration, the external surface of the smokeable material body faces the heater 3. Alternatively, as shown in figure 2, the  
15 cartridge 11 can comprise a smokeable material tube 11 which can be inserted around the heater 3 so that the internal surface of the smokeable material tube 11 faces the longitudinal surface of the heater 3. The smokeable material tube 11 may be hollow. The diameter of the hollow centre of the tube 11 may be substantially equal to, or slightly larger than, the diameter or otherwise transverse dimension of  
20 the heater 3 so that the tube 11 is a close fit around the heater 3. The length of the cartridge 11 may be approximately equal to the length of the heater 3 so that the heater 3 can heat the cartridge 11 along its whole length.

The housing 7 of the apparatus 1 may comprise an opening through which the  
25 cartridge 11 can be inserted into the heating chamber 4. The opening may, for example, comprise an opening located at the housing's second end 9 so that the cartridge 11 can be slid into the opening and pushed directly into the heating chamber 4. The opening is preferably closed during use of the apparatus 1 to heat the smokeable material 5. Alternatively, a section of the housing 7 at the second  
30 end 9 is removable from the apparatus 1 so that the smokeable material 5 can be inserted into the heating chamber 4. The apparatus 1 may optionally be equipped with a user-operable smokeable material ejection unit, such as an internal mechanism configured to slide used smokeable material 5 off and/or away from the

heater 3. The used smokeable material 5 may, for example, be pushed back through the opening in the housing 7. A new cartridge 11 can then be inserted as required.

As mentioned previously, the apparatus 1 may comprise a controller 12, such as a  
5 microcontroller 12, which is configured to control operation of the apparatus 1. The controller 12 is electronically connected to the other components of the apparatus 1 such as the energy source 2 and heater 3 so that it can control their operation by sending and receiving signals. The controller 12 is, in particular, configured to control activation of the heater 3 to heat the smokeable material 5.  
10 For example, the controller 12 may be configured to activate the heater 3, which may comprise selectively activating one or more heating regions 10, in response to a user drawing on the mouthpiece 6 of the apparatus 1. In this regard, the controller 12 may be in communication with a puff sensor 13 via a suitable communicative coupling. The puff sensor 13 is configured to detect when a puff occurs at the  
15 mouthpiece 6 and, in response, is configured to send a signal to the controller 12 indicative of the puff. An electronic signal may be used. The controller 12 may respond to the signal from the puff sensor 13 by activating the heater 3 and thereby heating the smokeable material 5. The use of a puff sensor 13 to activate the heater 3 is not, however, essential and other means for providing a stimulus to activate the  
20 heater 3 can alternatively be used. For example, the controller 12 may activate the heater 3 in response to another type of activation stimulus such as actuation of a user-operable actuator. The volatilized compounds released during heating can then be inhaled by the user through the mouthpiece 6. The controller 12 can be located at any suitable position within the housing 7. An example position is between the  
25 energy source 2 and the heater 3/heating chamber 4, as illustrated in figure 4.

If the heater 3 comprises two or more heating regions 10 as described above, the controller 12 may be configured to activate the heating regions 10 in a predetermined order or pattern. For example, the controller 12 may be configured  
30 to activate the heating regions 10 sequentially along or around the heating chamber 4. Each activation of a heating region 10 may be in response to detection of a puff by the puff sensor 13 or may be triggered in an alternative way, as described further below.

Referring to figure 5, an example heating method may comprise a first step S1 in which an activation stimulus such as a first puff is detected followed by a second step S2 in which a first section of smokeable material 5 is heated in response to the first puff or other activation stimulus. In a third step S3, hermetically sealable inlet and outlet valves 24 may be opened to allow air to be drawn through the heating chamber 4 and out of the apparatus 1 through the mouthpiece 6. In a fourth step, the valves 24 are closed. These valves 24 are described in more detail below with respect to figure 20. In fifth S5, sixth S6, seventh S7 and eighth S8 steps, a second section of smokeable material 5 may be heated in response to a second activation stimulus such as a second puff, with a corresponding opening and closing of the heating chamber inlet and outlet valves 24. In ninth S9, tenth S10, eleventh S11 and twelfth S12 steps, a third section of the smokeable material 5 may be heated in response to a third activation stimulus such as a third puff with a corresponding opening and closing of the heating chamber inlet and outlet valves 24, and so on. As referred to above, means other than a puff sensor 13 could alternatively be used. For example, a user of the apparatus 1 may actuate a control switch to indicate that he/she is taking a new puff. In this way, a fresh section of smokeable material 5 may be heated to volatilize nicotine and aromatic compounds for each new puff. The number of heating regions 10 and/or independently heatable sections of smokeable material 5 may correspond to the number of puffs for which the cartridge 11 is intended to be used. Alternatively, each independently heatable smokeable material section 5 may be heated by its corresponding heating region(s) 10 for a plurality of puffs such as two, three or four puffs, so that a fresh section of smokeable material 5 is heated only after a plurality of puffs have been taken whilst heating the previous smokeable material section.

Instead of activating each heating region 10 in response to an individual puff, the heating regions 10 may alternatively be activated sequentially, one after the other, in response to a single, initial puff at the mouthpiece 6. For example, the heating regions 10 may be activated at regular, predetermined intervals over the expected inhalation period for a particular smokeable material cartridge 11. The inhalation period may, for example, be between approximately one and approximately four

minutes. Therefore, at least the fifth and ninth steps S5, S9 shown in figure 5 are optional. Each heating region 10 may be activated for a predetermined period corresponding to the duration of the single or plurality of puffs for which the corresponding independently heatable smokeable material section 5 is intended to be heated. Once all of the heating regions 10 have been activated for a particular cartridge 11, the controller 12 may be configured to indicate to the user that the cartridge 11 should be changed. The controller 12 may, for example, activate an indicator light at the external surface of the housing 7.

10 It will be appreciated that activating individual heating regions 10 in order rather than activating the entire heater 3 means that the energy required to heat the smokeable material 5 is reduced over what would be required if the heater 3 were activated fully over the entire inhalation period of a cartridge 11. Therefore, the maximum required power output of the energy source 2 is also reduced. This  
15 means that a smaller and lighter energy source 2 can be installed in the apparatus 1.

The controller 12 may be configured to de-activate the heater 3, or reduce the power being supplied to the heater 3, in between puffs. This saves energy and extends the life of the energy source 2. For example, upon the apparatus 1 being  
20 switched on by a user or in response to some other stimulus, such as detection of a user placing their mouth against the mouthpiece 6, the controller 12 may be configured to cause the heater 3, or next heating region 10 to be used to heat the smokeable material 5, to be partially activated so that it heats up in preparation to volatilize components of the smokeable material 5. The partial activation does not  
25 heat the smokeable material 5 to a sufficient temperature to volatilize nicotine. A suitable temperature could be approximately 100°C. In response to detection of a puff by the puff sensor 13, the controller 12 can then cause the heater 3 or heating region 10 in question to heat the smokeable material 5 further in order to rapidly volatilize the nicotine and other aromatic compounds for inhalation by the user. If  
30 the smokeable material 5 comprises tobacco, a suitable temperature for volatilizing the nicotine and other aromatic compounds may be between 150°C and 250°C. Therefore, an example full activation temperature is 250°C. A super-capacitor can optionally be used to provide the peak current used to heat the smokeable material

5 to the volatilization temperature. An example of a suitable heating pattern is shown in figure 7, in which the peaks may respectively represent the full activation of different heating regions 10. As can be seen, the smokeable material 5 is maintained at the volatilization temperature for the approximate period of the puff which, in this example, is two seconds.

Three example operational modes of the heater 3 are described below.

10 In a first operational mode, during full activation of a particular heating region 10, all other heating regions 10 of the heater are deactivated. Therefore, when a new heating region 10 is activated, the previous heating region is deactivated. Power is supplied only to the activated region 10.

15 Alternatively, in a second operational mode, during full activation of a particular heating region 10, one or more of the other heating regions 10 may be partially activated. Partial activation of the one or more other heating regions 10 may comprise heating the other heating region(s) 10 to a temperature which is sufficient to substantially prevent condensation of components such as nicotine volatilized from the smokeable material 5 in the heating chamber 4. The temperature of the heating regions 10 which are partially activated is less than the temperature of the heating region 10 which is fully activated. The smokeable material 10 located adjacent the partially activated regions 10 is not heated to a temperature sufficient to volatilize components of the smokeable material 5.

25 Alternatively, in a third operational mode, once a particular heating region 10 has been activated, it remains fully activated until the heater 3 is switched off. Therefore, the power supplied to the heater 3 incrementally increases as more of the heating regions 10 are activated during inhalation from the cartridge 11. As with the second mode previously described, the continuing activation of the heating regions 10 substantially prevent condensation of components such as nicotine volatilized from the smokeable material 5 in the heating chamber 4.

The apparatus 1 may comprise a heat shield 3a, which is located between the heater 3 and the heating chamber 4/smokeable material 5. The heat shield 3a is configured to substantially prevent thermal energy from flowing through the heat shield 3a and therefore can be used to selectively prevent the smokeable material 5 from being  
5 heated even when the heater 3 is activated and emitting thermal energy. Referring to figure 14, the heat shield 3a may, for example, comprise a cylindrical layer of heat reflective material which is located co-axially around the heater 3. Alternatively, if the heater 3 is located around the heating chamber 4 and smokeable material 5 as previously described with reference to figure 1, the heat shield 3a may comprise a  
10 cylindrical layer of heat reflective material which is located co-axially around the heating chamber 4 and co-axially inside of the heater 3. The heat shield 3a may additionally or alternatively comprise a heat-insulating layer configured to insulate the heater 3 from the smokeable material 5.

15 The heat shield 3a comprises a substantially heat-transparent window 3b which allows thermal energy to propagate through the window 3b and into the heating chamber 4 and smokeable material 5. Therefore, the section of smokeable material 5 which is aligned with the window 3b is heated whilst the remainder of the smokeable material 5 is not. The heat shield 3a and window 3b may be rotatable or  
20 otherwise moveable with respect the smokeable material 5 so that different sections of the smokeable material 5 can be selectively and individually heated by rotating or moving the heat shield 3a and window 3b. The effect is similar to the effect provided by selectively and individually activating the heating regions 10 referred to above. For example, the heat shield 3a and window 3b may be rotated or otherwise  
25 moved incrementally in response to a signal from the puff detector 13. Additionally or alternatively, the heat shield 3a and window 3b may be rotated or otherwise moved incrementally in response to a predetermined heating period having elapsed. Movement or rotation of the heat shield 3a and window 3b may be controlled by electronic signals from the controller 12. The relative rotation or other movement  
30 of the heat shield 3a/window 3b and smokeable material 5 may be driven by a stepper motor 3c under the control of the controller 12. This is illustrated in figure 14. Alternatively, the heat shield 3a and window 3b may be manually rotated using a user control such as an actuator on the housing 7. The heat shield 3a does not

need to be cylindrical and may optionally comprise one or more suitably positioned longitudinally extending elements and or/plates.

It will be appreciated that a similar result can be obtained by rotating or moving the smokeable material 5 relative to the heater 3, heat shield 3a and window 3b. For example, the heating chamber 4 may be rotatable around the heater 3. If this is the case, the above description relating to movement of the heat shield 3a can be applied instead to movement of the heating chamber 4 relative to the heat shield 3a.

The heat shield 3a may comprise a coating on the longitudinal surface of the heater 3. In this case, an area of the heater's surface is left uncoated to form the heat-transparent window 3b. The heater 3 can be rotated or otherwise moved, for example under the control of the controller 12 or user controls, to cause different sections of the smokeable material 5 to be heated. Alternatively, the heat shield 3a and window 3b may comprise a separate shield 3a which is rotatable or otherwise moveable relative to both the heater 3 and the smokeable material 5 under the control of the controller 12 or other user controls.

The apparatus 1 may comprise air inlets 14 which allow external air to be drawn into the housing 7 and through the heated smokeable material 5 during puffing. The air inlets 14 may comprise apertures 14 in the housing 7 and may be located upstream from the smokeable material 5 and heating chamber 4 towards the first end 8 of the housing 7. This is shown in figure 1. Another example is shown in figure 6. Air drawn in through the inlets 14 travels through the heated smokeable material 5 and therein is enriched with smokeable material vapours, such as aroma vapours, before being inhaled by the user at the mouthpiece 6. Optionally, as shown in figure 6, the apparatus 1 may comprise a heat exchanger 15 configured to warm the air before it enters the smokeable material 5 and/or to cool the air before it is drawn through the mouthpiece 6. For example, the heat exchanger 15 may be configured to use heat extracted from the air entering the mouthpiece 6 to warm new air before it enters the smokeable material 5.

The apparatus 1 may comprise a smokeable material compressor 16 configured to cause the smokeable material 5 to compress upon activation of the compressor 16. The apparatus 1 can also comprise a smokeable material expander 17 configured to cause the smokeable material 5 to expand upon activation of the expander 17. The compressor 16 and expander 17 may, in practice, be implemented as the same unit as will be explained below. The smokeable material compressor 16 and expander 17 may optionally operate under the control of the controller 12. In this case, the controller 12 is configured to send a signal, such as an electrical signal, to the compressor 16 or expander 17 which causes the compressor 16 or expander 17 to respectively compress or expand the smokeable material 5. Alternatively, the compressor 16 and expander 17 may be actuated by a user of the apparatus 1 using a manual control on the housing 7 to compress or expand the smokeable material 5 as required.

The compressor 16 is principally configured to compress the smokeable material 5 and thereby increase its density during heating. Compression of the smokeable material increases the thermal conductivity of the body of smokeable material 5 and therefore provides a more rapid heating and consequent rapid volatilization of nicotine and other aromatic compounds. This is preferable because it allows the nicotine and aromatics to be inhaled by the user without substantial delay in response to detection of a puff. Therefore, the controller 12 may activate the compressor 16 to compress the smokeable material 5 for a predetermined heating period, for example one second, in response to detection of a puff. The compressor 16 may be configured to reduce its compression of the smokeable material 5, for example under the control of the controller 12, after the predetermined heating period. Alternatively, the compression may be reduced or automatically ended in response to the smokeable material 5 reaching a predetermined threshold temperature. A suitable threshold temperature may be in the range of approximately 150°C to 250°C, and may be user selectable. A temperature sensor may be used to detect the temperature of the smokeable material 5.

The expander 17 is principally configured to expand the smokeable material 5 and thereby decrease its density during puffing. The arrangement of smokeable material 5 in the heating chamber 4 becomes more loose when the smokeable material 5 has been expanded and this aids the gaseous flow, for example air from the inlets 14, 5 through the smokeable material 5. The air is therefore more able to carry the volatilized nicotine and aromatics to the mouthpiece 6 for inhalation. The controller 12 may activate the expander 17 to expand the smokeable material 5 immediately following the compression period referred to above so that air can be drawn more freely through the smokeable material 5. Actuation of the expander 17 10 may be accompanied by a user-audible sound or other indication to indicate to the user that the smokeable material 5 has been heated and that puffing can commence.

Referring to figures 8 and 9, the compressor 16 and expander 17 may comprise a spring-actuated driving rod which is configured to compress the smokeable material 15 5 in the heating chamber 4 when the spring is released from compression. This is schematically illustrated in figures 8 and 9, although it will be appreciated that other implementations could be used. For example, the compressor 16 may comprise a ring, having a thickness approximately equal to the tubular-shaped heating chamber 4 described above, which is driven by a spring or other means into the heating 20 chamber 4 to compress the smokeable material 5. Alternatively, the compressor 16 may be comprised as part of the heater 3 so that the heater 3 itself is configured to compress and expand the smokeable material 5 under the control of the controller 12. A method of compressing and expanding the smokeable material 5 is shown in figure 10.

25 The heater 3 may be integrated with the thermal insulation 18 mentioned previously. For example, referring to figure 1, the thermal insulation 18 may comprise a substantially elongate, hollow body, such as a substantially cylindrical tube of insulation 18, which is located co-axially around the heating chamber 4 and into 30 which the heating regions 10 are integrated. The thermal insulation 18 may comprise a layer in which recesses are provided in the inwardly facing surface profile 21. Heating regions 10 are located in these recesses so that the heating regions 10 face the smokeable material 5 in the heating chamber 4. The surfaces of

the heating regions 10 which face the heating chamber 4 may be flush with the inside surface 21 of the thermal insulation 18 in regions of the insulation 18 which are not recessed.

5 The integration of the heater 3 with the thermal insulation 18 means that the heating regions 10 are substantially surrounded by the insulation 18 on all sides of the heating regions 10 other than those which face inwardly towards the smokeable material heating chamber 4. As such, heat emitted by the heater 3 is concentrated in the smokeable material 5 and does not dissipate into other parts of the apparatus 1  
10 or into the atmosphere outside the housing 7.

Integration of the heater 3 with the thermal insulation 18 may also reduce the thickness of the combination of heater 3 and thermal insulation 18. This can allow the diameter of the apparatus 1, in particular the external diameter of the housing 7,  
15 to be further reduced. Alternatively, the reduction in thickness provided by the integration of the heater 3 with the thermal insulation 18 can allow a wider smokeable material heating chamber 4 to be accommodated in the apparatus 1, or the introduction of further components, without any increase in the overall width of the housing 7.

20 Alternatively, the heater 3 may be adjacent the insulation 18 rather than being integrated into it. For example, if the heater 3 is located externally of the heating chamber 4, the insulation 18 may be lined with the film heater 3 around its inwardly-facing surface 21. If the heater 3 is located internally of the heating  
25 chamber 4, the insulation 18 may be lined with the film heater 3 on its outwardly-facing surface 22.

Optionally, a barrier may be present between the heater 3 and the insulation 18. For example, a layer of stainless steel may be present between the heater 3 and the  
30 insulation 18. The barrier may comprise a stainless steel tube which fits between the heater 3 and the insulation 18. The thickness of the barrier may be small so as not to substantially increase the dimensions of the apparatus. An example thickness is between approximately 0.1mm and 1.0mm.

Additionally, a heat reflecting layer may be present between the transverse surfaces of the heating regions 10. The arrangement of the heating regions 10 relative to each other may be such that thermal energy emitted from each one of the heating regions 10 does not substantially heat the neighbouring heating regions 10 and instead travels predominately inwardly from the circumferential surface of the heating region 10 into the heating chamber 4 and smokeable material 5. Each heating region 10 may have substantially the same dimensions as the other regions 10.

10

The heater 3 may be bonded or otherwise secured in the apparatus 1 using pressure sensitive adhesive. For example, the heater 3 may be adhered to the insulation 18 or barrier referred to above using pressure sensitive adhesive. The heater 3 may alternatively be adhered to the cartridge 11 or an exterior surface of the smokeable material heating chamber 4.

15

As an alternative to the use of pressure sensitive adhesive, the heater 3 may be secured in position in the apparatus 1 using self-fusing tape or by clamps which clamp the heater 3 in place. All of these methods provide a secure fixing for the heater 3 and allow effective heat transfer from the heater 3 to the smokeable material 5. Other types of fixing are also possible.

20

The thermal insulation 18, which is provided between the smokeable material 5 and an external surface 19 of the housing 7 as described above, reduces heat loss from the apparatus 1 and therefore improves the efficiency with which the smokeable material 5 is heated. For example, referring to figure 1, a wall of the housing 7 may comprise a layer of insulation 18 which extends around the outside of the heating chamber 4. The insulation layer 18 may comprise a substantially tubular length of insulation 18 located co-axially around the heating chamber 4 and smokeable material 5. This is shown in figure 1. It will be appreciated that the insulation 18 could also be comprised as part of the smokeable material cartridge 11, in which it would be located co-axially around the outside of the smokeable material 5.

30

Referring to figure 11, the insulation 18 may comprise vacuum insulation 18. For example, the insulation 18 may comprise a layer which is bounded by a wall material 19 such as a metallic material. An internal region or core 20 of the insulation 18 may comprise an open-cell porous material, for example comprising polymers, aerogels or other suitable material, which is evacuated to a low pressure. The pressure in the internal region 20 may be in the range of 0.1 to 0.001 mbar. The wall 19 of the insulation 18 is sufficiently strong to withstand the force exerted against it due to the pressure differential between the core 20 and external surfaces of the wall 19, thereby preventing the insulation 18 from collapsing. The wall 19 may, for example, comprise a stainless steel wall 19 having a thickness of approximately 100 $\mu$ m. The thermal conductivity of the insulation 18 may be in the range of 0.004 to 0.005 W/mK. The heat transfer coefficient of the insulation 18 may be between approximately 1.10 W/(m<sup>2</sup>K) and approximately 1.40 W/(m<sup>2</sup>K) within a temperature range of between approximately 150 degrees Celsius and approximately 250 degrees Celsius. The gaseous conductivity of the insulation 18 is negligible. A reflective coating may be applied to the internal surfaces of the wall material 19 to minimize heat losses due to radiation propagating through the insulation 18. The coating may, for example, comprise an aluminium IR reflective coating having a thickness of between approximately 0.3 $\mu$ m and 1.0 $\mu$ m. The evacuated state of the internal core region 20 means that the insulation 18 functions even when the thickness of the core region 20 is very small. The insulating properties are substantially unaffected by its thickness. This helps to reduce the overall size of the apparatus 1.

As shown in figure 11, the wall 19 may comprise an inwardly-facing section 21 and an outwardly-facing section 22. The inwardly-facing section 21 substantially faces the smokeable material 5 and heating chamber 4. The outwardly-facing section 22 substantially faces the exterior of the housing 7. During operation of the apparatus 1, the inwardly-facing section 21 may be warmer due to the thermal energy originating from the heater 3, whilst the outwardly-facing section 22 is cooler due to the effect of the insulation 18. The inwardly-facing section 21 and the outwardly-facing section 22 may, for example, comprise substantially parallel longitudinally-extending walls 19 which are at least as long as the heater 3. The internal surface of

the outwardly-facing wall section 22, i.e. the surface facing the evacuated core region 20, may comprise a coating for absorbing gas in the core 20. A suitable coating is a titanium oxide film.

- 5 The thermal insulation 18 may comprise hyper-deep vacuum insulation such as an Insulon® Shaped-Vacuum Thermal Barrier as described in US 7,374,063. The overall thickness of such insulation 18 may be extremely small. An example thickness is between approximately 1mm and approximately 1 $\mu$ m, such as approximately 0.1mm, although other larger or smaller thicknesses are also possible.
- 10 The thermally insulating properties of the insulation 18 are substantially unaffected by its thickness and therefore thin insulation 18 can be used without any substantial additional heat loss from the apparatus 1. The very small thickness of the thermal insulation 18 may allow the size of the housing 7 and apparatus 1 as a whole to be reduced beyond the sizes previously discussed and may allow the thickness, for
- 15 example the diameter, of the apparatus 1 to be approximately equal to smoking articles such as cigarettes, cigars and cigarillos. The weight of the apparatus 1 may also be reduced, providing similar benefits to the size reductions discussed above.

Although the thermal insulation 18 described previously may comprise a gas-  
20 absorbing material to maintain or aid with creation of the vacuum in the core region 20, a gas absorbing material is not used in the deep-vacuum insulation 18. The absence of the gas absorbing material aids with keeping the thickness of the insulation 18 very low and thus helps to reduce the overall size of the apparatus 1.

- 25 The geometry of the hyper-deep insulation 18 allows the vacuum in the insulation to be deeper than the vacuum used to extract molecules from the core region 20 of the insulation 18 during manufacture. For example, the deep vacuum inside the insulation 18 may be deeper than that of the vacuum-furnace chamber in which it is created. The vacuum inside the insulation 18 may, for example, be of the order 10<sup>-7</sup>
- 30 Torr. Referring to figure 16, an end of the core region 20 of the deep-vacuum insulation 18 may taper as the outwardly facing section 22 and inwardly facing section 21 converge to an outlet 25 through which gas in the core region 20 may be evacuated to create a deep vacuum during manufacture of the insulation 18. Figure

16 illustrates the outwardly facing section 22 converging towards the inwardly facing section 21 but a converse arrangement, in which the inwardly facing section 21 converges to the outwardly facing section 22, could alternatively be used. The converging end of the insulating wall 19 is configured to guide gas molecules in the core region 20 out of the outlet 25 and thereby create a deep vacuum in the core 20. The outlet 25 is sealable so as to maintain a deep vacuum in the core region 20 after the region 20 has been evacuated. The outlet 25 can be sealed, for example, by creating a brazed seal at the outlet 25 by heating brazing material at the outlet 25 after gas has been evacuated from the core 20. Alternative sealing techniques could be used.

In order to evacuate the core region 20, the insulation 18 may be placed in a low pressure, substantially evacuated environment such as a vacuum furnace chamber so that gas molecules in the core region 20 flow into the low pressure environment outside the insulation 18. When the pressure inside the core region 20 becomes low, the tapered geometry of the core region 20, and in particular the converging sections 21, 22 referred to above, becomes influential in guiding remaining gas molecules out the core 20 via the outlet 25. Specifically, when the gas pressure in the core region 20 is low, the guiding effect of the converging inwardly and outwardly facing sections 21, 22 is effective to channel the remaining gas molecules inside the core 20 towards the outlet 25 and make the probability of gas exiting the core 20 higher than the probability of gas entering the core 20 from the external, low pressure environment. In this way, the geometry of the core 20 allows the pressure inside the core 20 to be reduced below the pressure of the environment outside the insulation 18.

Optionally, as previously described, one or more low emissivity coatings may be present on the internal surfaces of the inwardly and outwardly facing sections 21, 22 of the wall 19 in order to substantially prevent heat losses by radiation.

30

Although the shape of the insulation 18 is generally described herein as substantially cylindrical or similar, the thermal insulation 18 could be another shape, for example in order to accommodate and insulate a different configuration of the apparatus 1

such as different shapes and sizes of heating chamber 4, heater 3, housing 7 or energy source 2. For example, the size and shape of deep-vacuum insulation 18 such as an Insulon® Shaped-Vacuum Thermal Barrier referred to above is substantially unlimited by its manufacturing process. Suitable materials for forming the converging structure described above include ceramics, metals, metalloids and combinations of these.

Referring to the schematic illustration in figure 12, a thermal bridge 23 may connect the inwardly-facing wall section 21 to the outwardly-facing wall section 22 at one or more edges of the insulation 18 in order to completely encompass and contain the low pressure core 20. The thermal bridge 23 may comprise a wall 19 formed of the same material as the inwardly and outwardly-facing sections 21, 22. A suitable material is stainless steel, as previously discussed. The thermal bridge 23 has a greater thermal conductivity than the insulating core 20 and therefore may undesirably conduct heat out of the apparatus 1 and, in doing so, reduce the efficiency with which the smokeable material 5 is heated.

To reduce heat losses due to the thermal bridge 23, the thermal bridge 23 may be extended to increase its resistance to heat flow from the inwardly-facing section 21 to the outwardly-facing section 22. This is schematically illustrated in figure 13. For example, the thermal bridge 23 may follow an indirect path between the inwardly-facing section 21 of wall 19 and the outwardly-facing section 22 of wall 19. This may be facilitated by providing the insulation 18 over a longitudinal distance which is longer than the lengths of the heater 3, heating chamber 4 and smokeable material 5 so that the thermal bridge 23 can gradually extend from the inwardly-facing section 21 to the outwardly-facing section 22 along the indirect path, thereby reducing the thickness of the core 20 to zero, at a longitudinal location in the housing 7 where the heater 3, heating chamber 4 and smokeable material 5 are not present.

30

Referring to figure 15, as previously discussed, the heating chamber 4 insulated by the insulation 18 may comprise inlet and outlet valves 24 which hermetically seal the heating chamber 4 when closed. The valves 24 can thereby prevent air from

undesirably entering and exiting the chamber 4 and can prevent smokeable material flavours from exiting the chamber 4. The inlet and outlet valves 24 may, for example, be provided in the insulation 18. For example, between puffs, the valves 24 may be closed by the controller 12 so that all volatilized substances remain  
5 contained inside the chamber 4 in-between puffs. The partial pressure of the volatilized substances between puffs reaches the saturated vapour pressure and the amount of evaporated substances therefore depends only on the temperature in the heating chamber 4. This helps to ensure that the delivery of volatilized nicotine and aromatic compounds remains constant from puff to puff. During puffing, the  
10 controller 12 is configured to open the valves 24 so that air can flow through the chamber 4 to carry volatilized smokeable material components to the mouthpiece 6. A membrane can be located in the valves 24 to ensure that no oxygen enters the chamber 4. The valves 24 may be breath-actuated so that the valves 24 open in response to detection of a puff at the mouthpiece 6. The valves 24 may close in  
15 response to a detection that a puff has ended. Alternatively, the valves 24 may close following the elapse of a predetermined period after their opening. The predetermined period may be timed by the controller 12. Optionally, a mechanical or other suitable opening/closing means may be present so that the valves 24 open and close automatically. For example, the gaseous movement caused by a user  
20 puffing on the mouthpiece 6 may be used to open and close the valves 24. Therefore, the use of the controller 12 is not necessarily required to actuate the valves 24.

The mass of the smokeable material 5 which is heated by the heater 3, for example  
25 by each heating region 10, may be in the range of 0.2 to 1.0g. The temperature to which the smokeable material 5 is heated may be user controllable, for example to any temperature within the temperature range of 150°C to 250°C as previously described. The mass of the apparatus 1 as a whole may be in the range of 70 to 125g, although the mass of the apparatus 1 can be lower when incorporating the  
30 film heater 3 and/or deep-vacuum insulation 18. A battery 2 with a capacity of 1000 to 3000mAh and voltage of 3.7V can be used. The heating regions 10 may be configured to individually and selectively heat between approximately 10 and 40 sections of smokeable material 5 for a single cartridge 11.

It will be appreciated that any of the alternatives described above can be used singly or in combination.

5 In order to address various issues and advance the art, the entirety of this disclosure shows by way of illustration various embodiments in which the claimed invention(s) may be practiced and provide for superior apparatus. The advantages and features of the disclosure are of a representative sample of embodiments only, and are not exhaustive and/or exclusive. They are presented only to assist in understanding and  
10 teach the claimed features. It is to be understood that advantages, embodiments, examples, functions, features, structures, and/or other aspects of the disclosure are not to be considered limitations on the disclosure as defined by the claims or limitations on equivalents to the claims, and that other embodiments may be utilised and modifications may be made without departing from the scope and/or spirit of  
15 the disclosure. Various embodiments may suitably comprise, consist of, or consist essentially of, various combinations of the disclosed elements, components, features, parts, steps, means, etc. In addition, the disclosure includes other inventions not presently claimed, but which may be claimed in future.

**Claims**

1. An apparatus comprising a film heater configured to heat smokeable material to volatilize at least one component of the smokeable material for inhalation.  
5
2. An apparatus according to claim 1, wherein the film heater is a polyimide film heater.
3. An apparatus according to claim 1 or 2, wherein the heater has a thickness of  
10 less than 1mm.
4. An apparatus according to any preceding claim, wherein the heater has a thickness of less than 0.5mm.
- 15 5. An apparatus according to any preceding claim, wherein the heater has a thickness of between approximately 0.2mm and 0.0002mm.
6. An apparatus according to any preceding claim, wherein the apparatus comprises thermal insulation integrated with the heater.  
20
7. An apparatus according to any of claims 1 to 5, wherein the apparatus comprises thermal insulation lined with the heater.
8. An apparatus according to any of claims 1 to 5, wherein the apparatus  
25 comprises thermal insulation separated from the heater by a barrier.
9. An apparatus according to claim 8, wherein the barrier comprises a layer of stainless steel.
- 30 10. An apparatus according to any of claims 6 to 9, wherein the thermal insulation comprises a core region which is evacuated to a lower pressure than an exterior of the insulation.

11. An apparatus according to claim 10, wherein wall sections of the insulation either side of the core region converge to a sealed gas outlet.
12. An apparatus according to claim 10 or 11, wherein a thickness of the  
5 insulation is less than approximately 1mm.
13. An apparatus according claim 10 or 11, wherein a thickness of the insulation is less than approximately 0.1mm.
- 10 14. An apparatus according to any preceding claim, wherein the apparatus comprises a mouthpiece for inhaling volatized components of the smokeable material.
- 15 15. An apparatus according to any preceding claim, wherein the apparatus is configured to heat the smokeable material without combusting the smokeable material.
16. A method of manufacturing an apparatus according to any preceding claim.
- 20 17. A method of heating smokeable material using an apparatus according to any of claims 1 to 15.

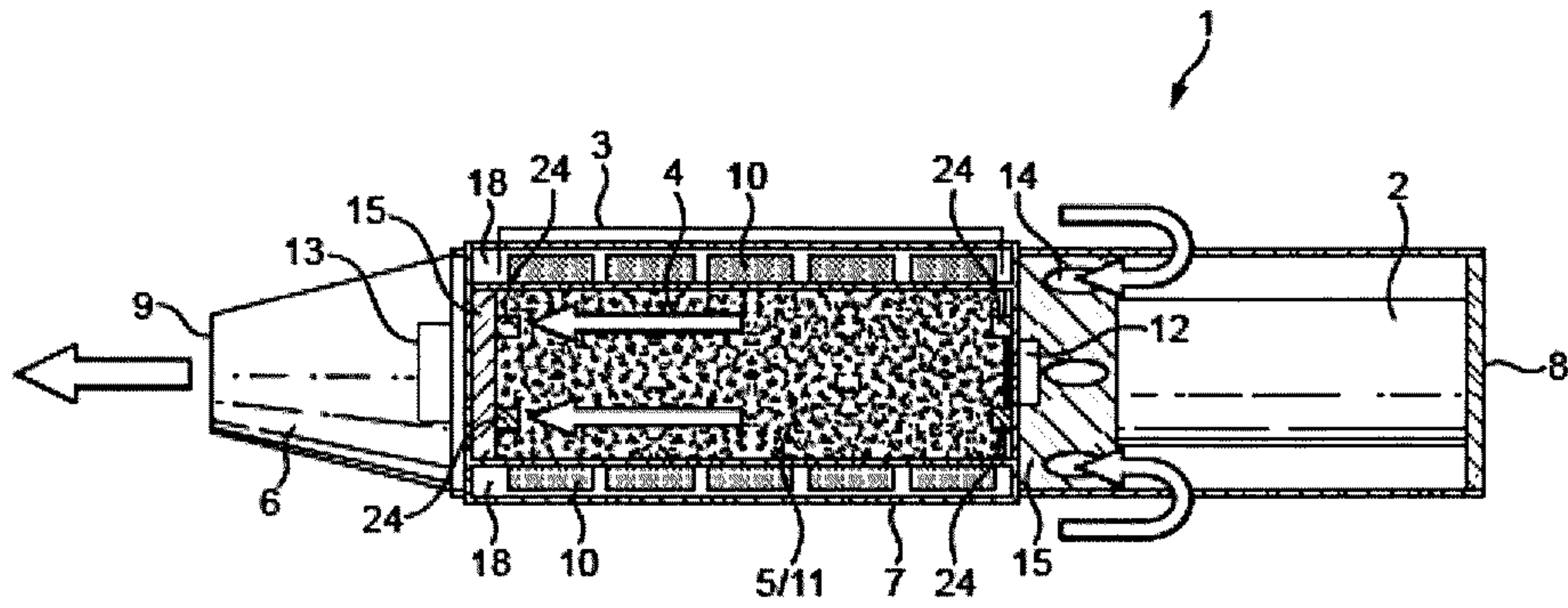


FIG. 1

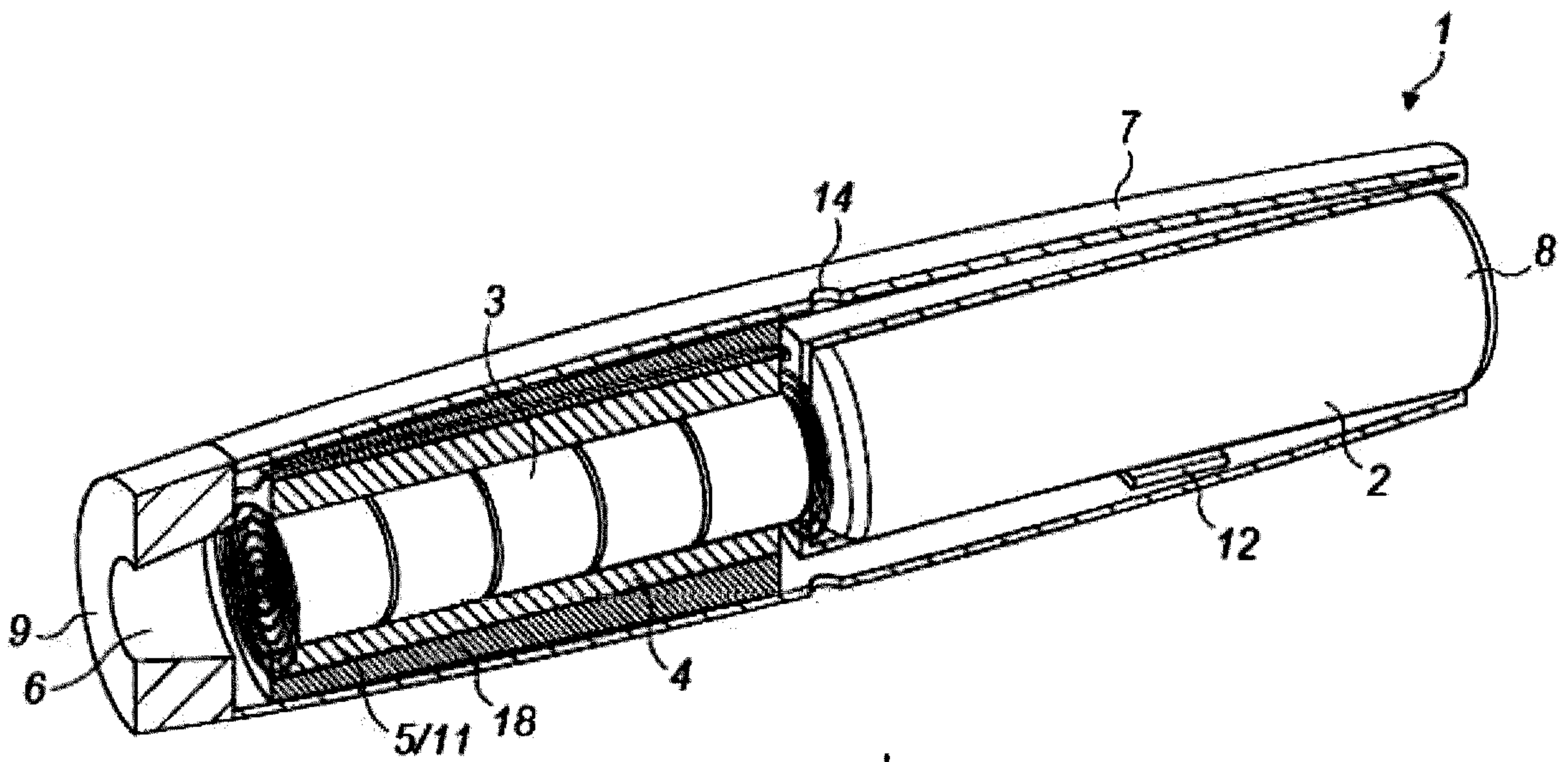


FIG. 2

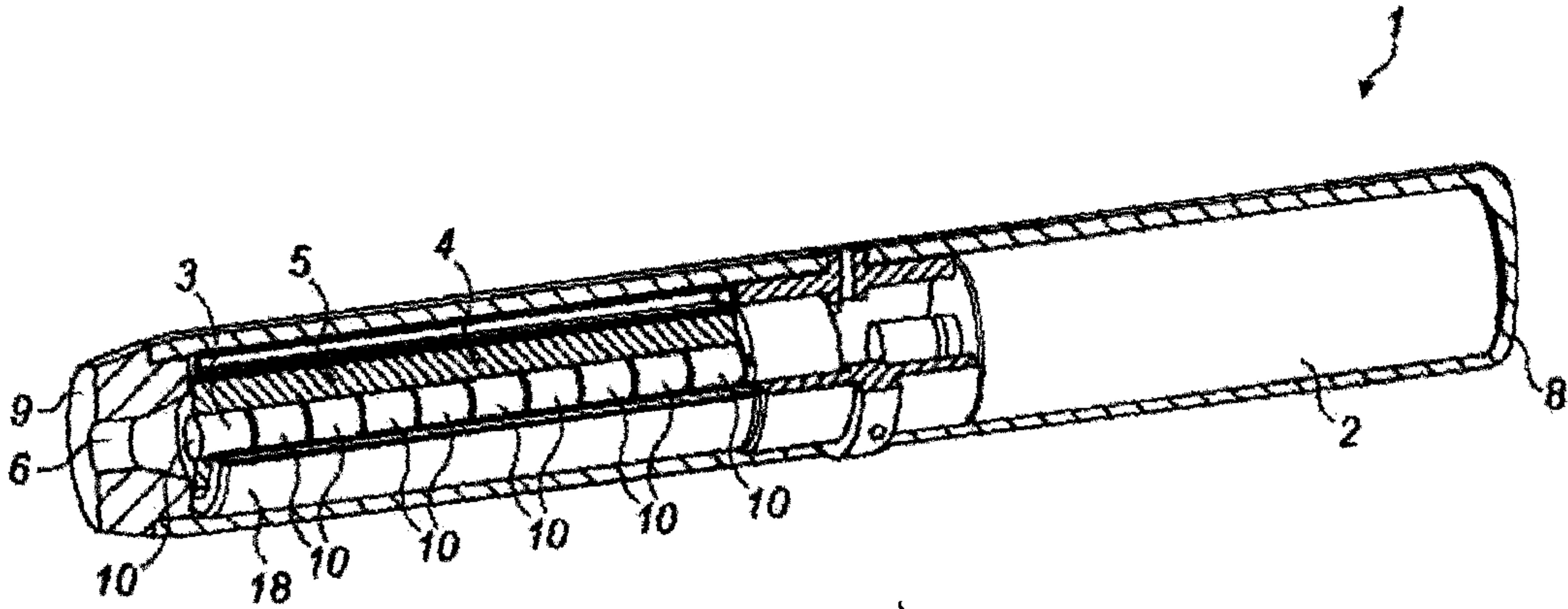


FIG. 3'

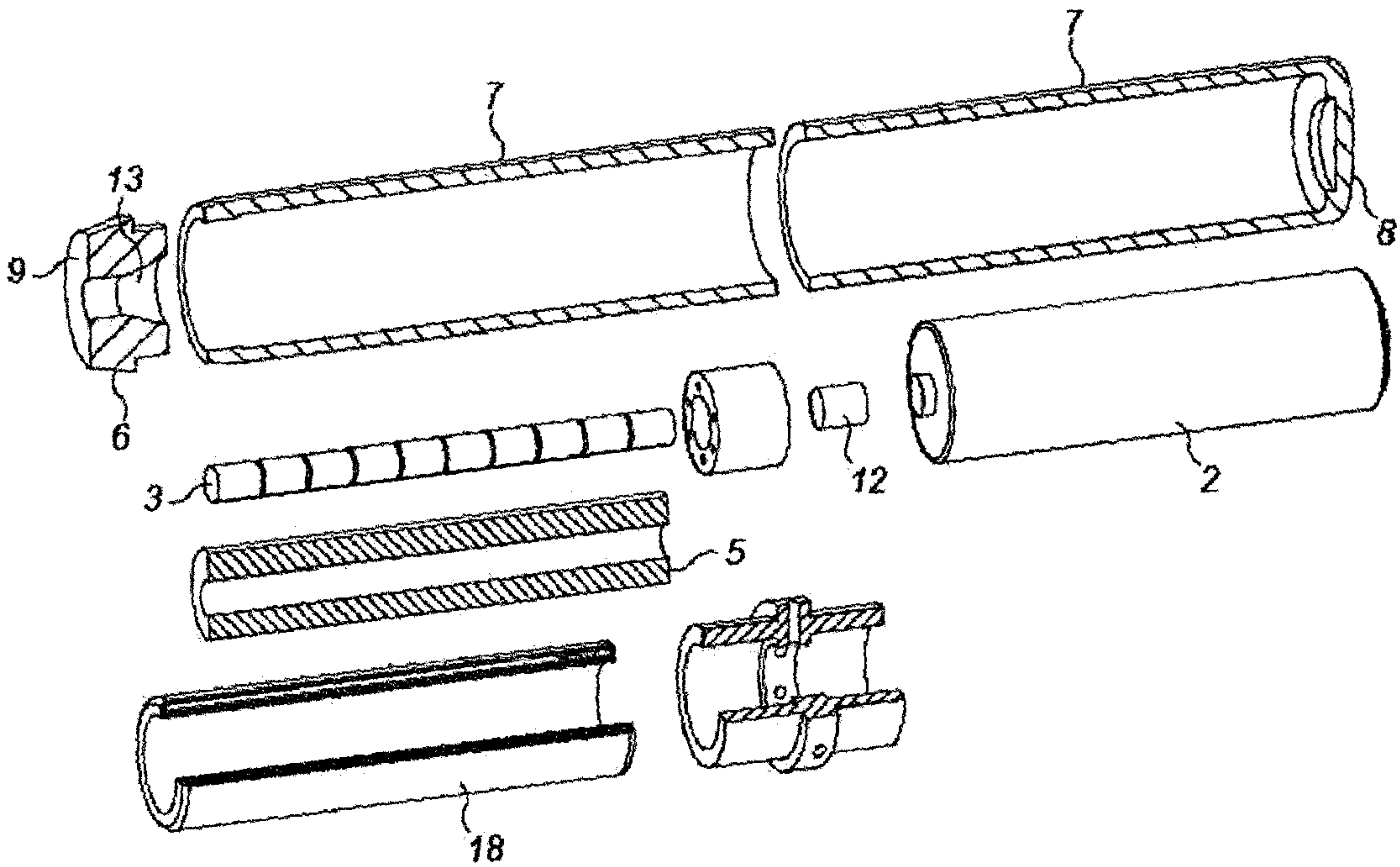
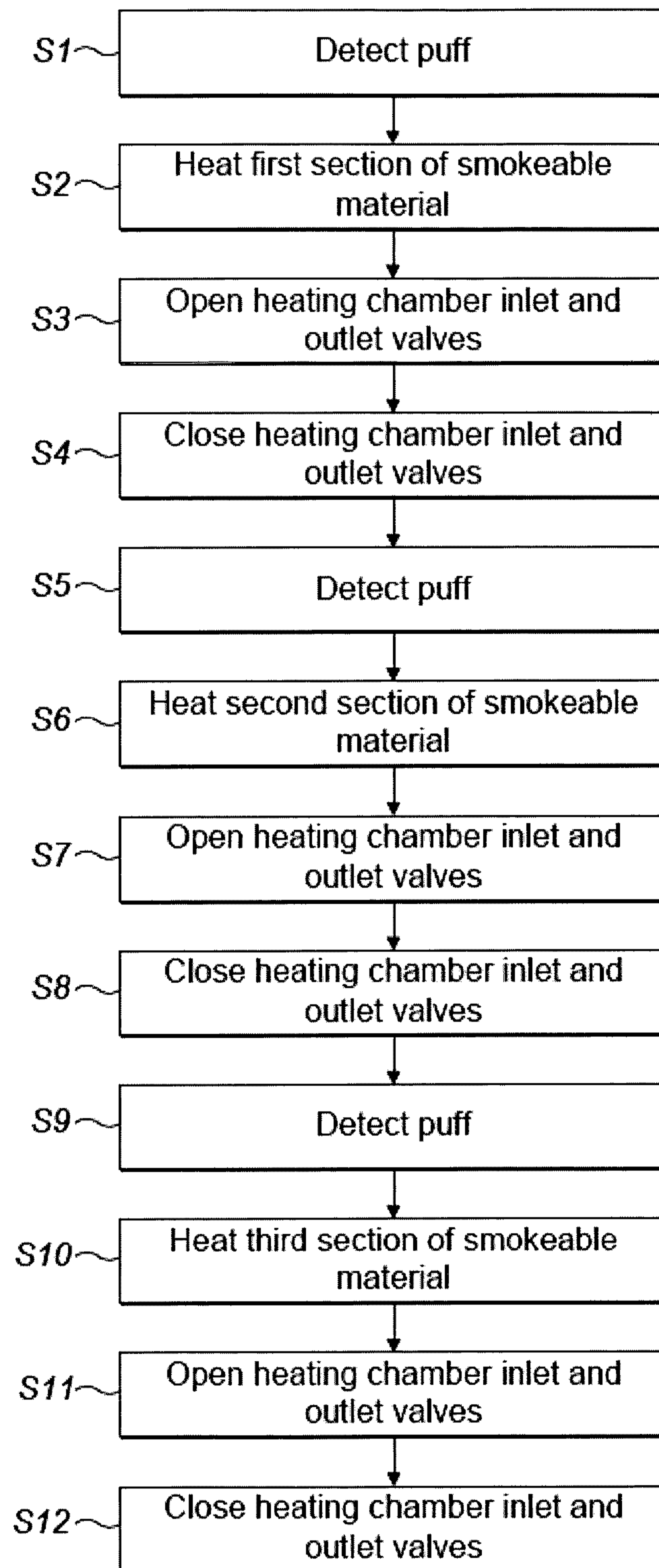


FIG. 4

**FIG. 5**

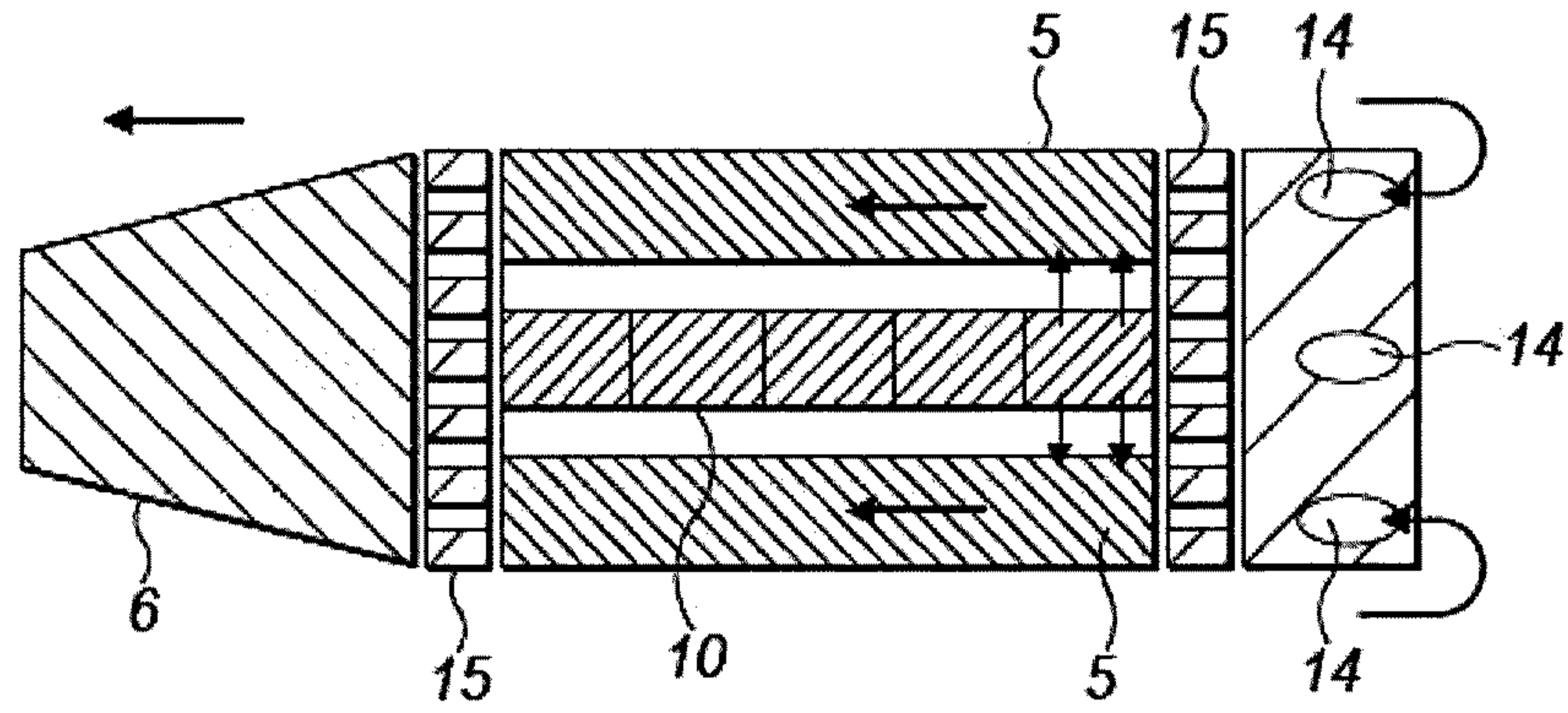


FIG. 6

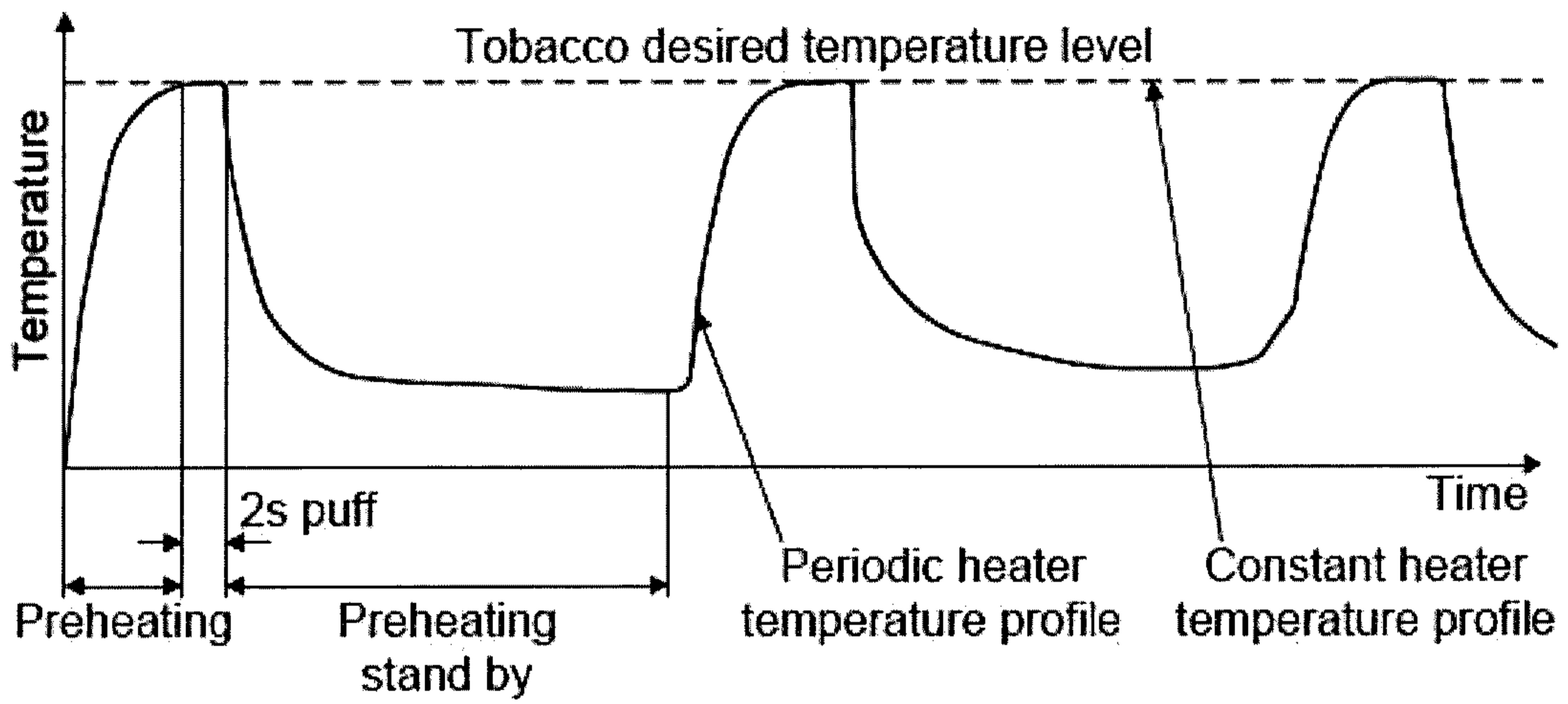


FIG. 7

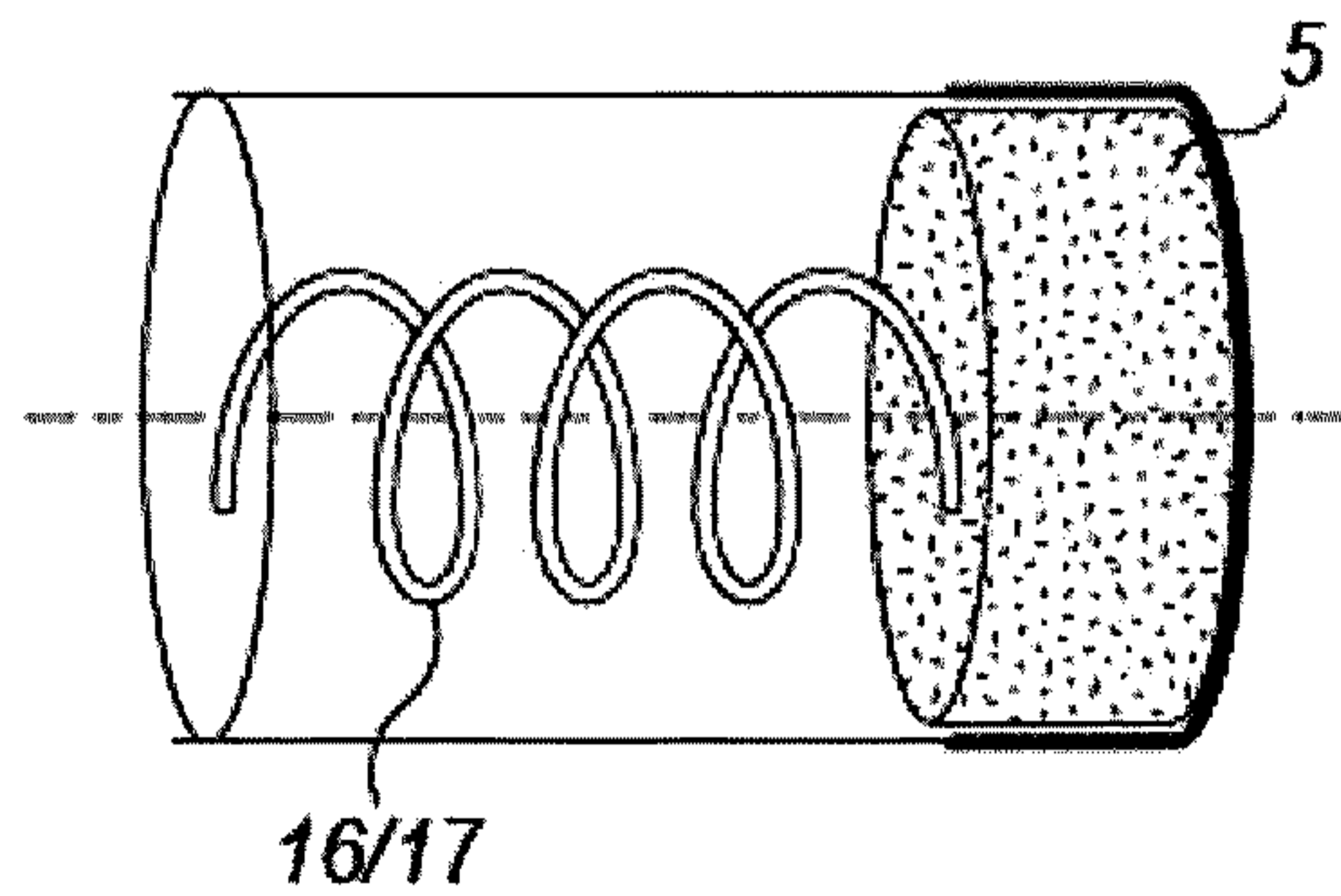


FIG. 8

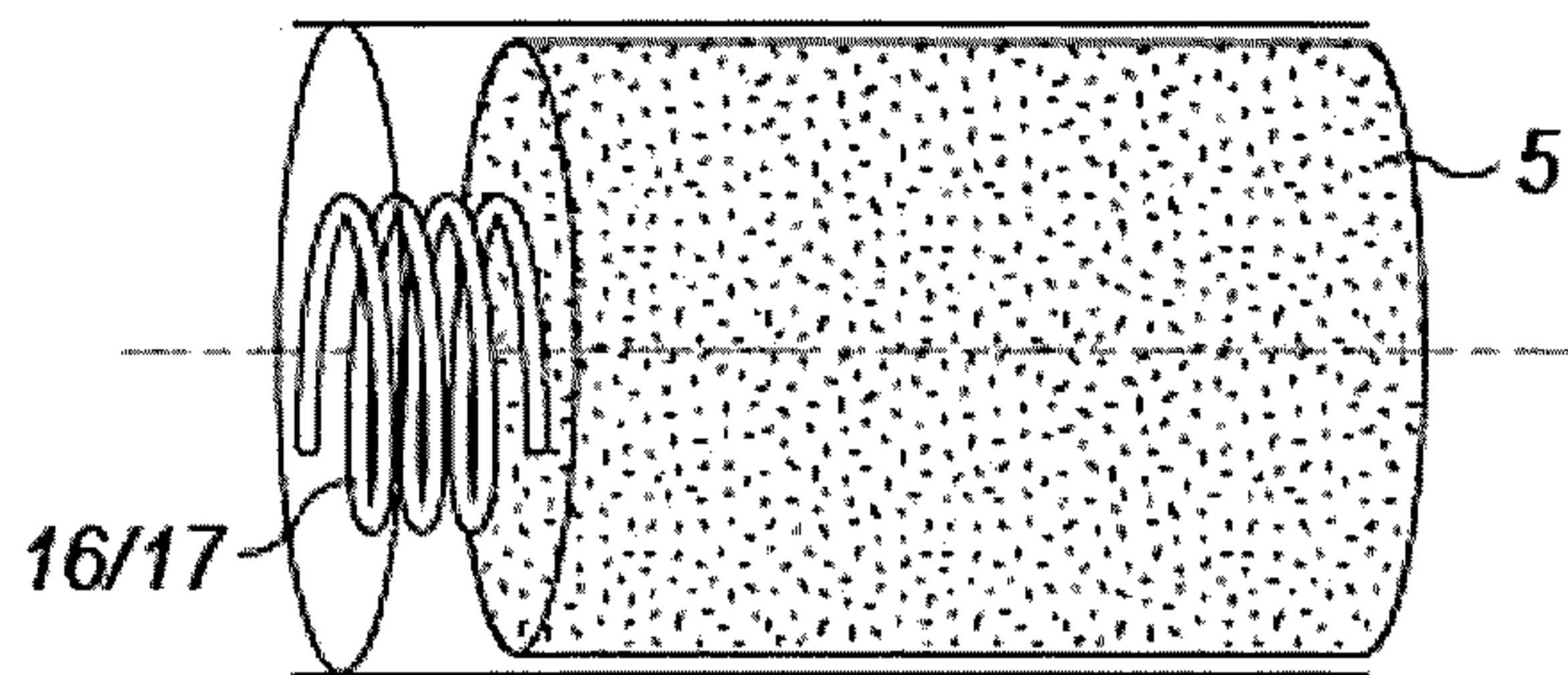


FIG. 9

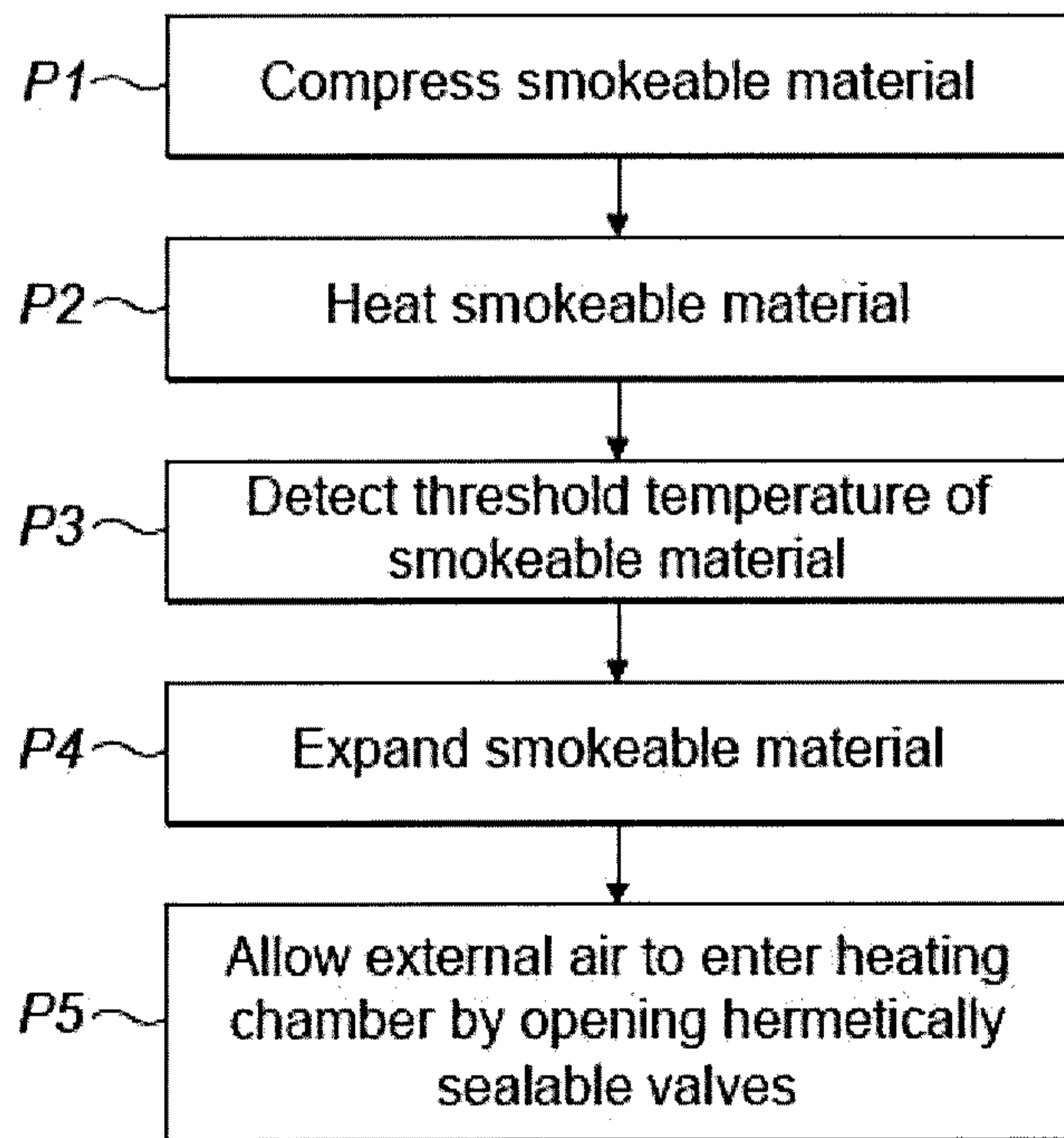


FIG. 10

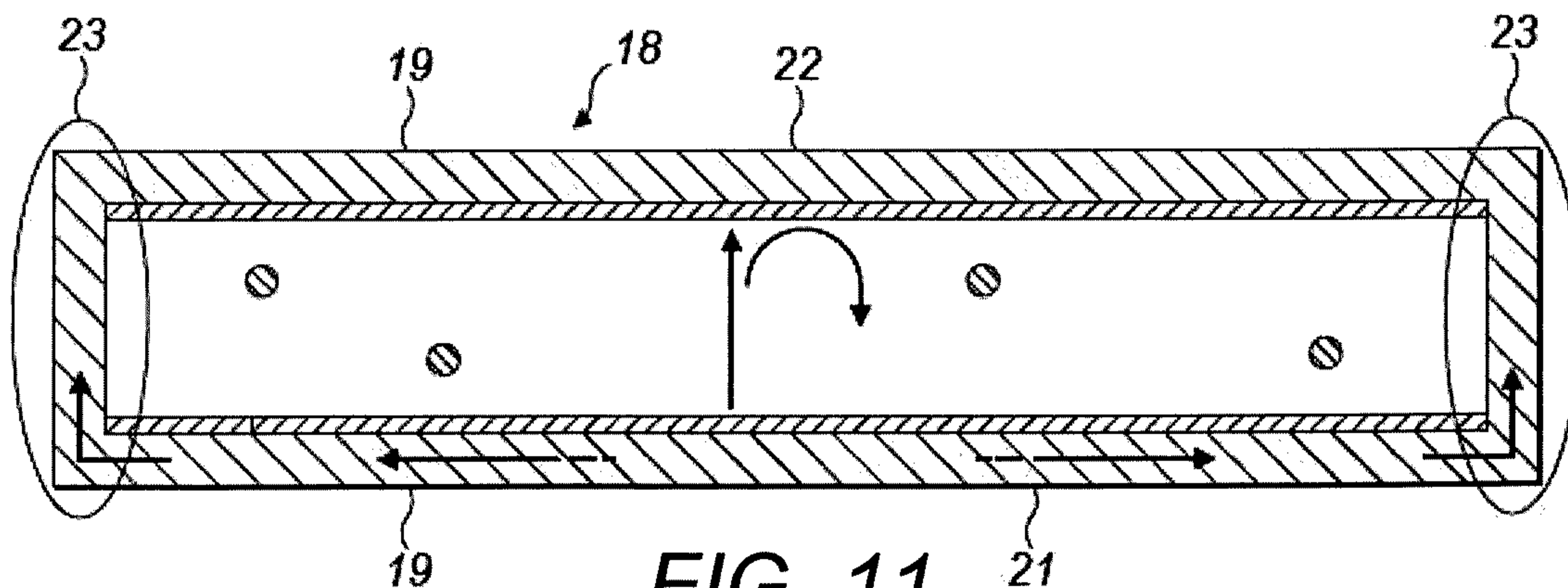


FIG. 11

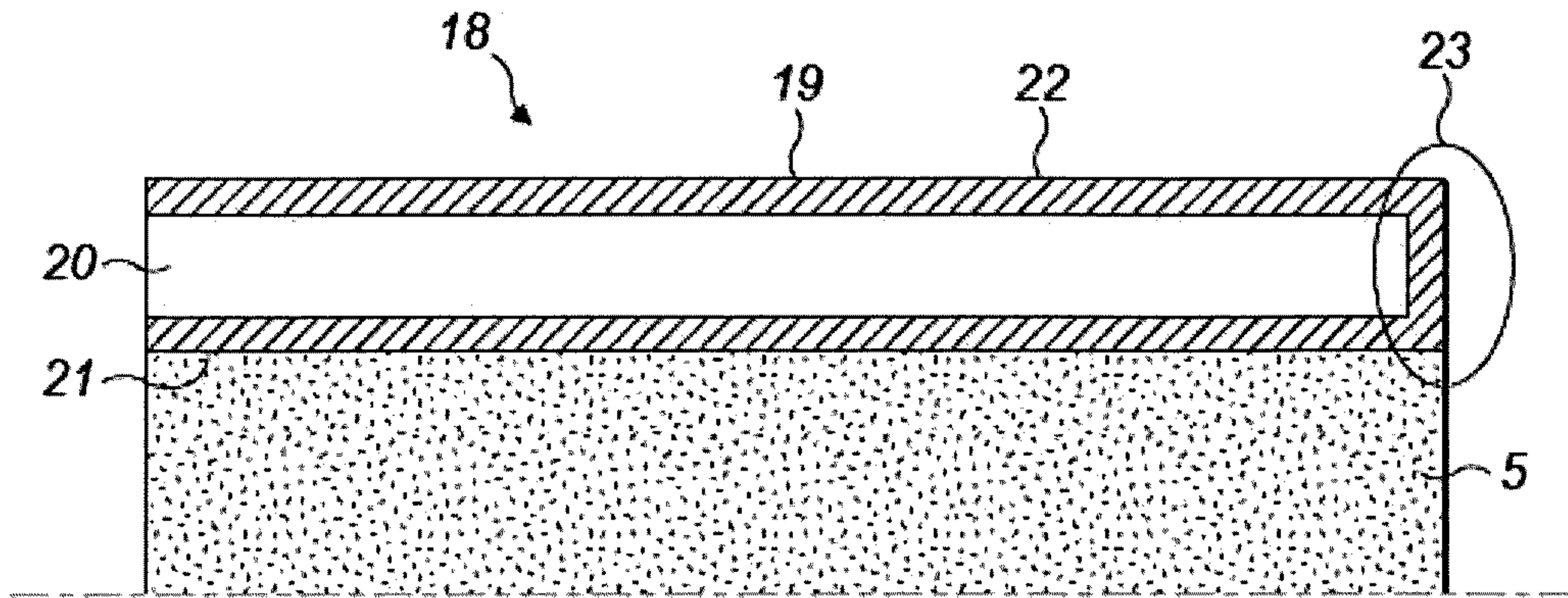


FIG. 12

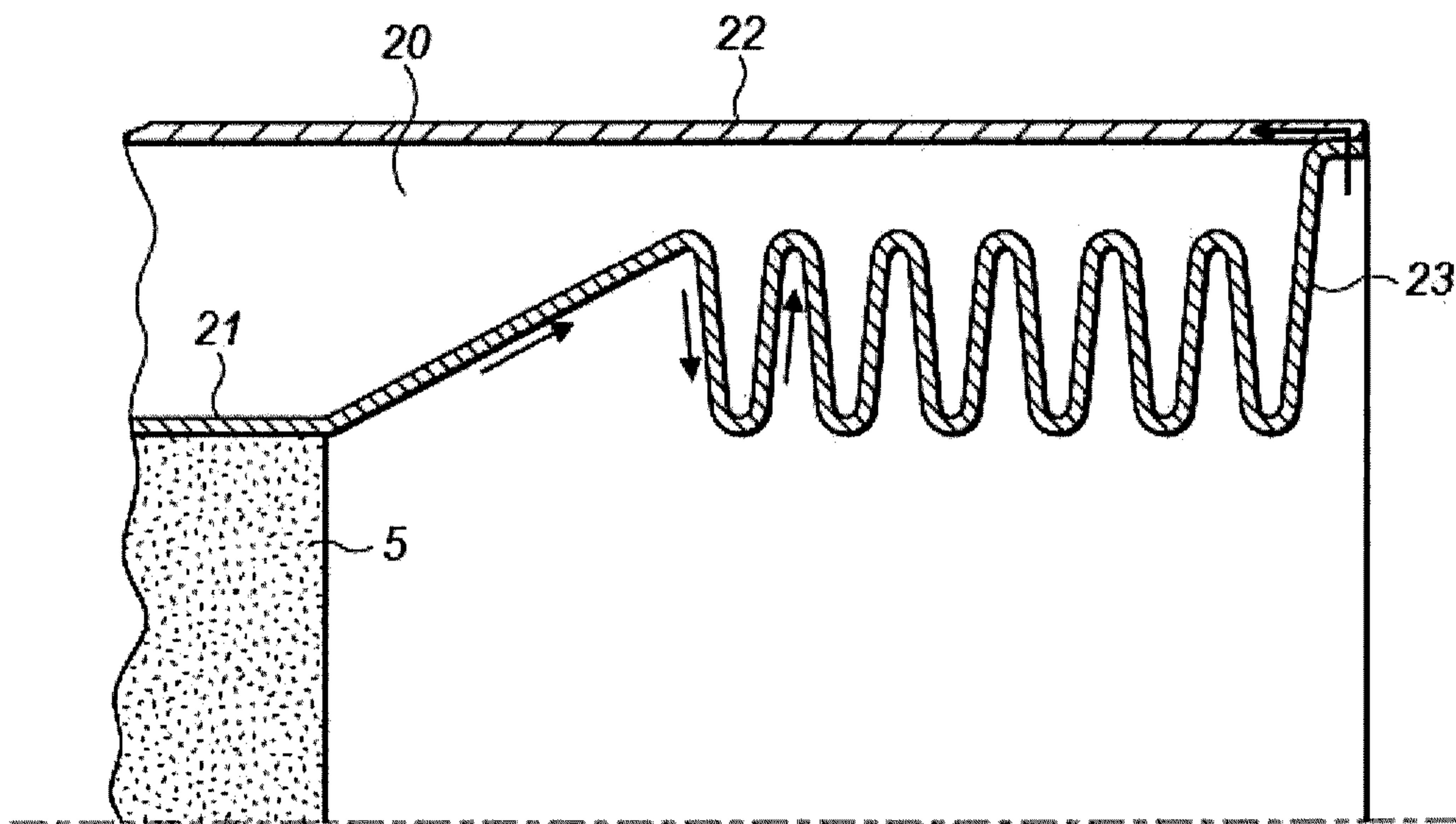


FIG. 13

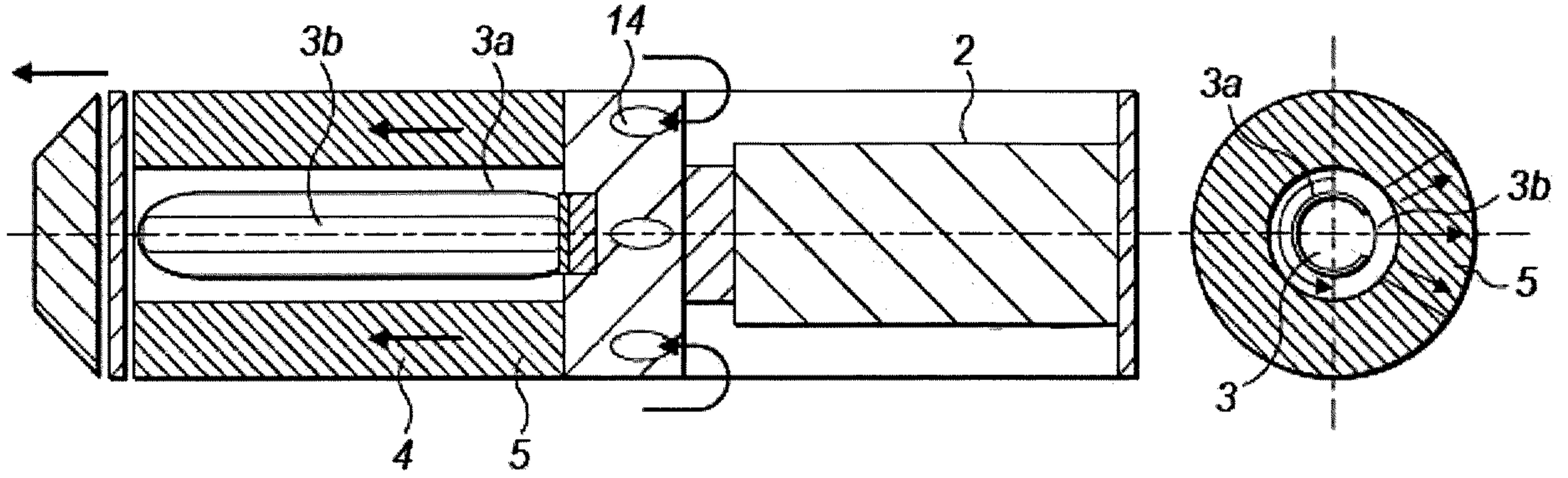


FIG. 14

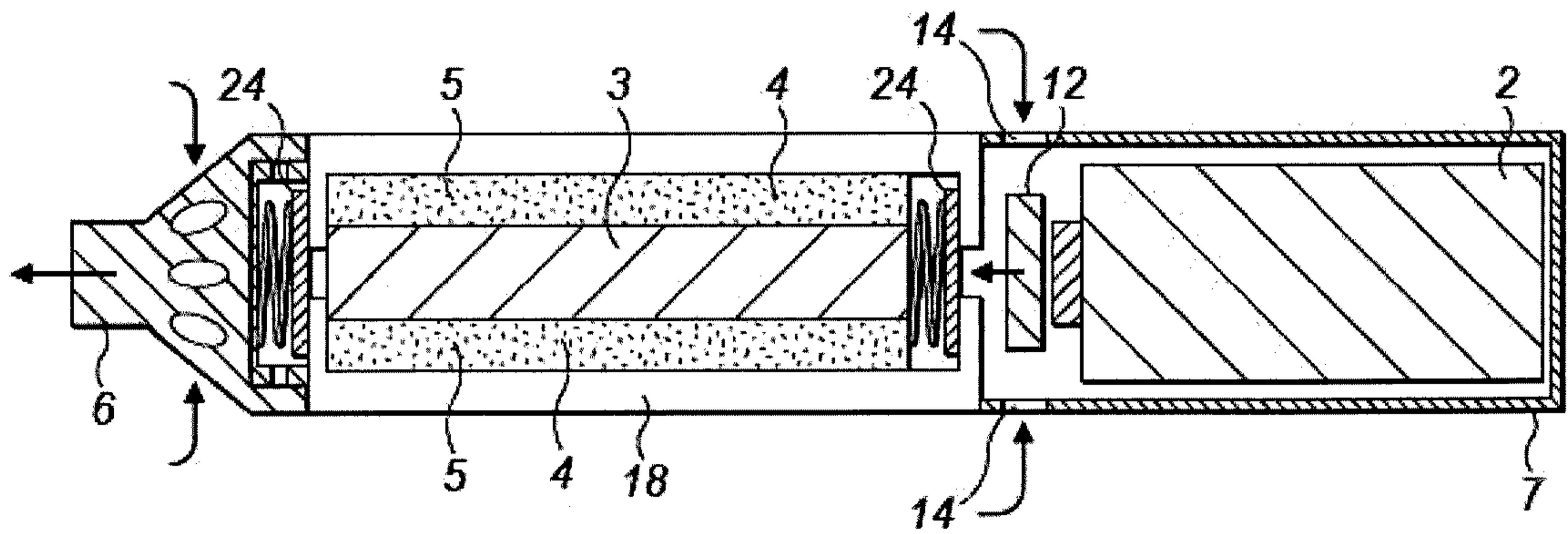
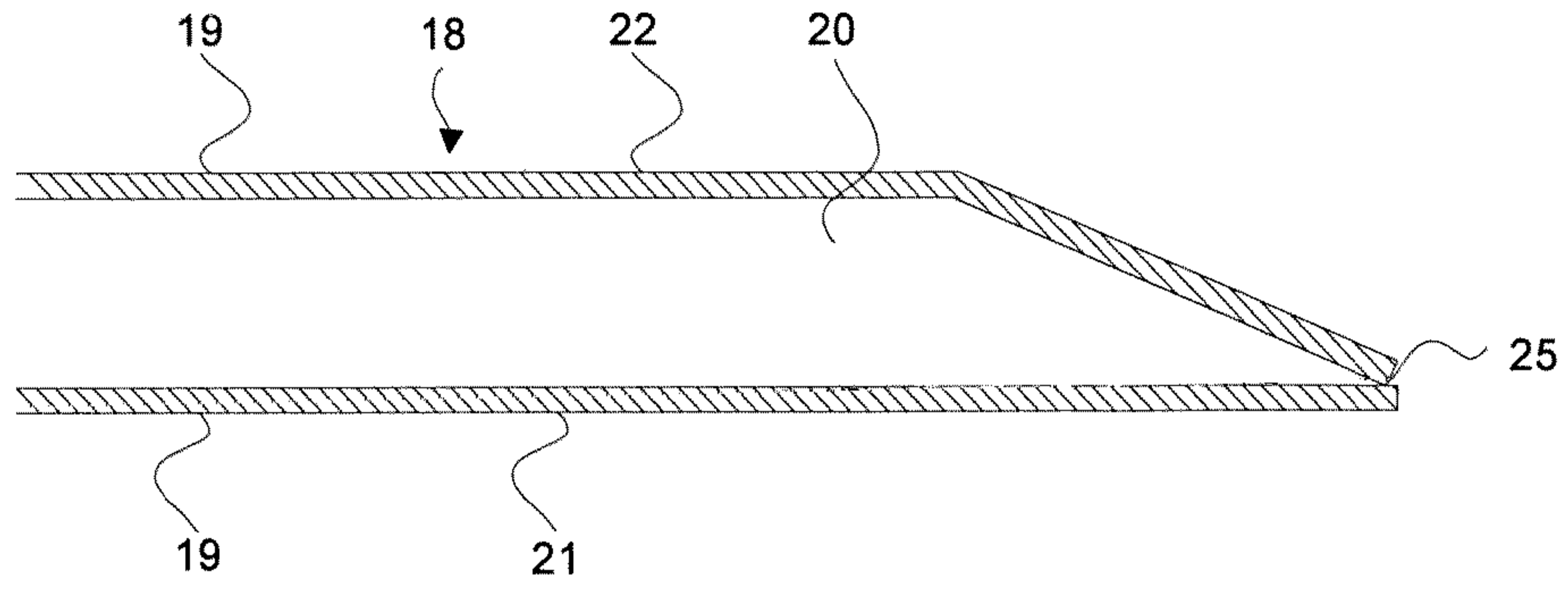
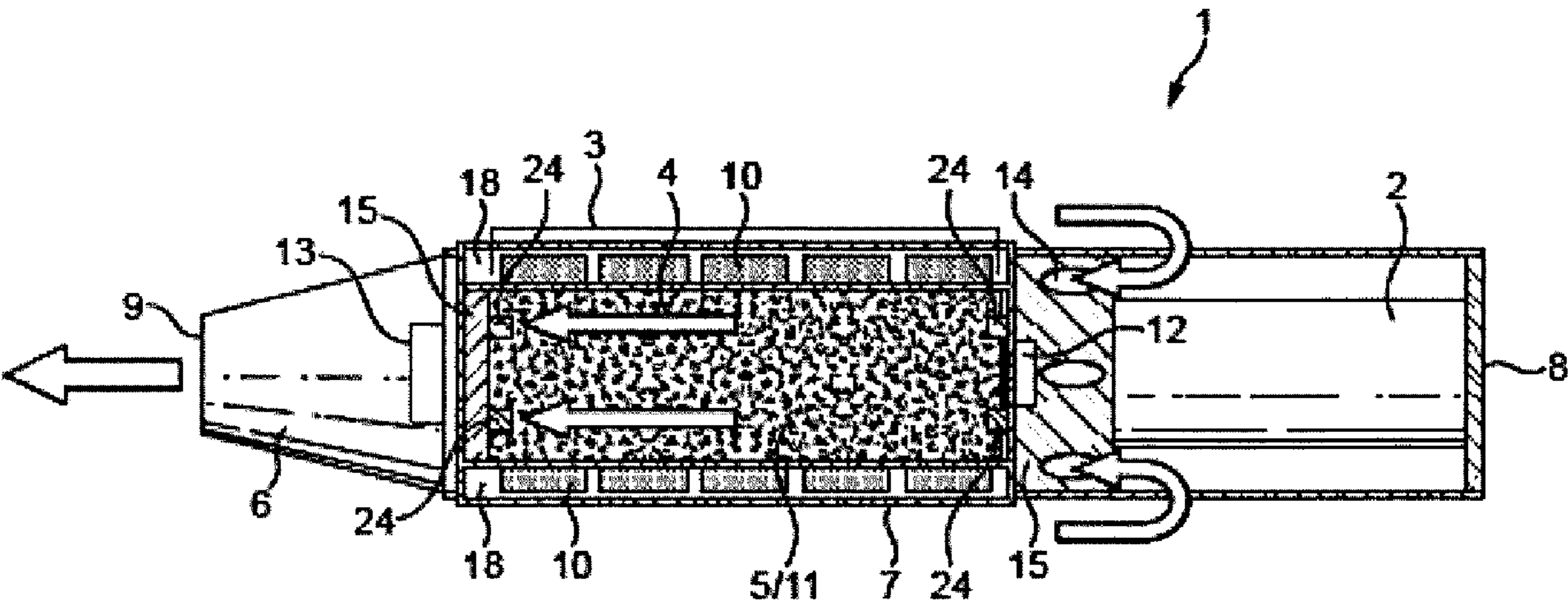


FIG. 15



**FIG. 16**



**FIG. 1**