



US00D376232S

United States Patent [19]

Villar

[11] Patent Number: **Des. 376,232**

[45] Date of Patent: ****Dec. 3, 1996**

[54] **GAS HEATED SEAMING IRON**
[76] Inventor: **Albert Villar**, 4240 U.S. 17 N Lot 153,
Brunswick, Ga. 31525

[**] Term: **14 Years**

[21] Appl. No.: **41,950**

[22] Filed: **Jul. 27, 1995**

[52] U.S. Cl. **D32/69**

[58] Field of Search D32/68, 70, 71,
D32/72, 73, 69; 38/69, 74, 77.6, 79, 88,
77.1, 77.5, 77.8, 77.7, 77.9; 49/245, 246,
247

[56] References Cited

U.S. PATENT DOCUMENTS

D. 286,095	10/1986	Asten	D32/69
D. 287,892	1/1987	Rosa et al.	D32/45
D. 294,989	3/1988	Jinkins	D32/45
1,333,722	3/1920	Lowenstein	219/245 X
1,402,245	1/1922	Muntwyler	219/245 X
1,595,995	8/1926	Cleifton	
3,523,176	8/1970	Hill	219/245
3,582,436	6/1971	Bucher	156/545 X
4,536,244	8/1985	Greci et al.	156/304.4
4,584,040	4/1986	Anderson	156/152
4,829,157	5/1989	Loyd	219/228

5,028,295	7/1991	Cracchiolo	156/574
5,089,080	2/1992	Ramirez et al.	156/498
5,211,158	5/1993	Morris	126/271.2
5,384,001	1/1995	Hoopengardner	219/245 X

FOREIGN PATENT DOCUMENTS

313528	5/1918	Germany
492505	2/1930	Germany

Primary Examiner—Susan J. Lucas
Assistant Examiner—Cynthia E. Ramirez
Attorney, Agent, or Firm—Dennis H. Lambert

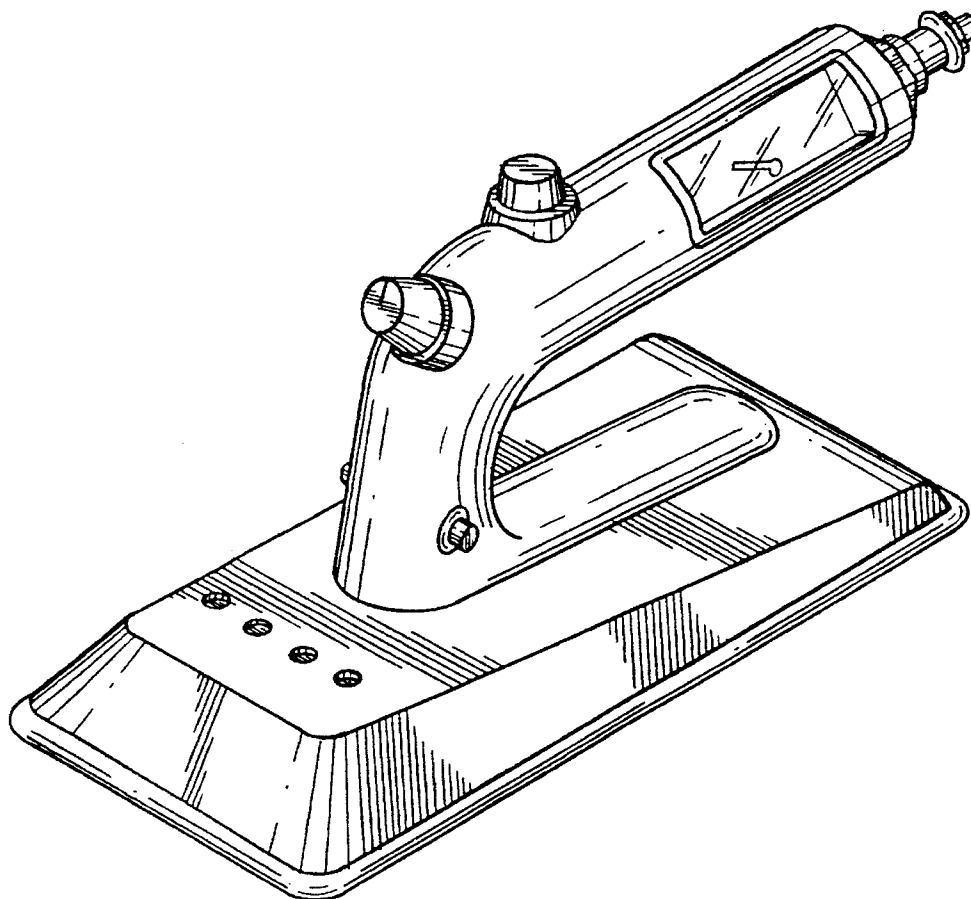
[57] CLAIM

The ornamental design for a gas heated seaming iron, as shown and described.

DESCRIPTION

FIG. 1 is a front, top and side perspective view of the gas heated seaming iron embodying the design of the present invention;
FIG. 2 is a front elevational view thereof;
FIG. 3 is a rear elevational view thereof;
FIG. 4 is a right side elevational view thereof;
FIG. 5 is a top plan view thereof;
FIG. 6 is a bottom plan view thereof; and,
FIG. 7 is a left side elevational view thereof.

1 Claim, 4 Drawing Sheets



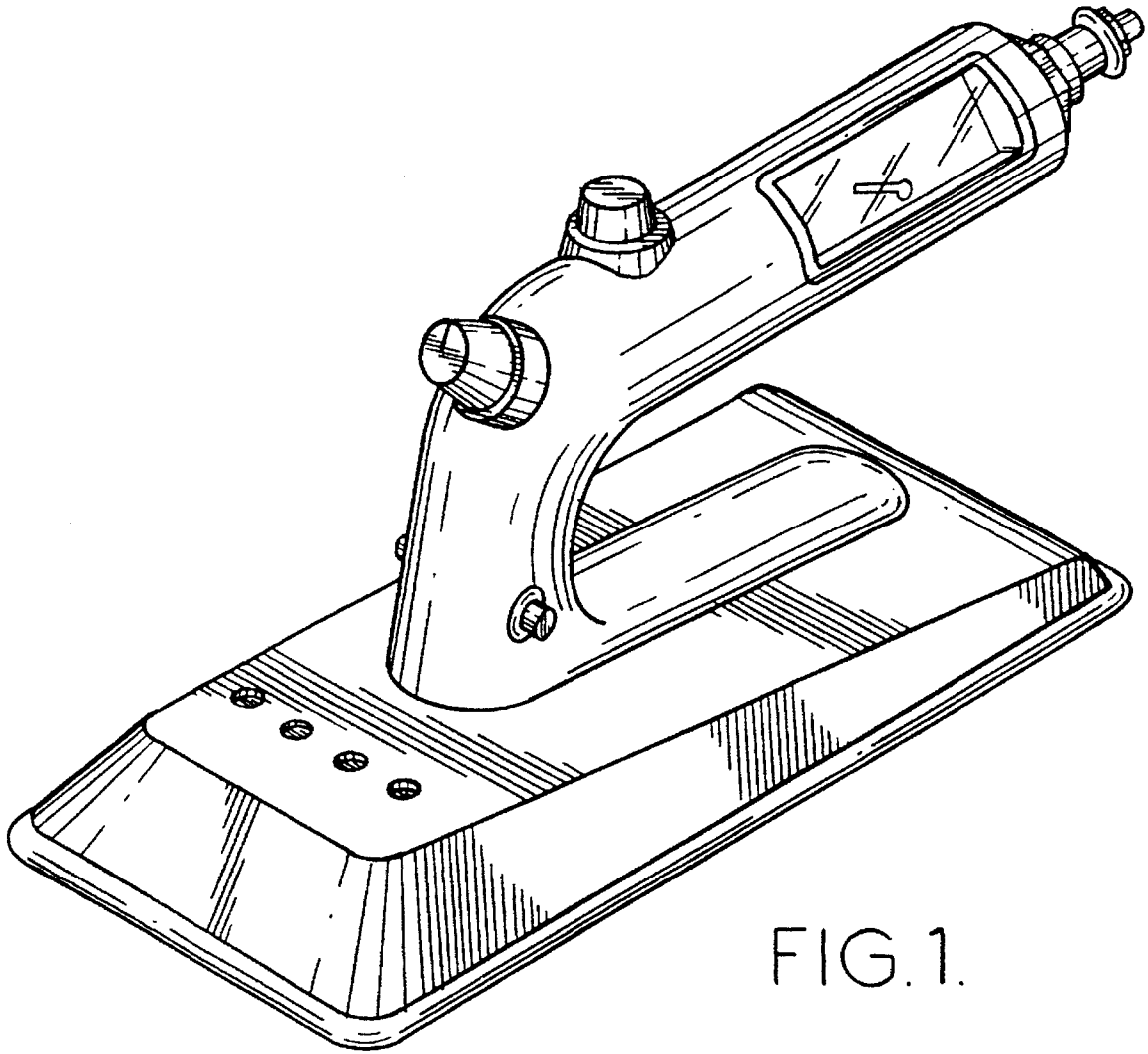


FIG. 1.

FIG. 2.

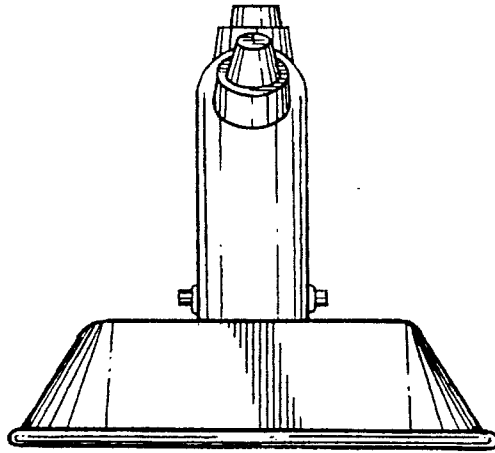


FIG. 6.

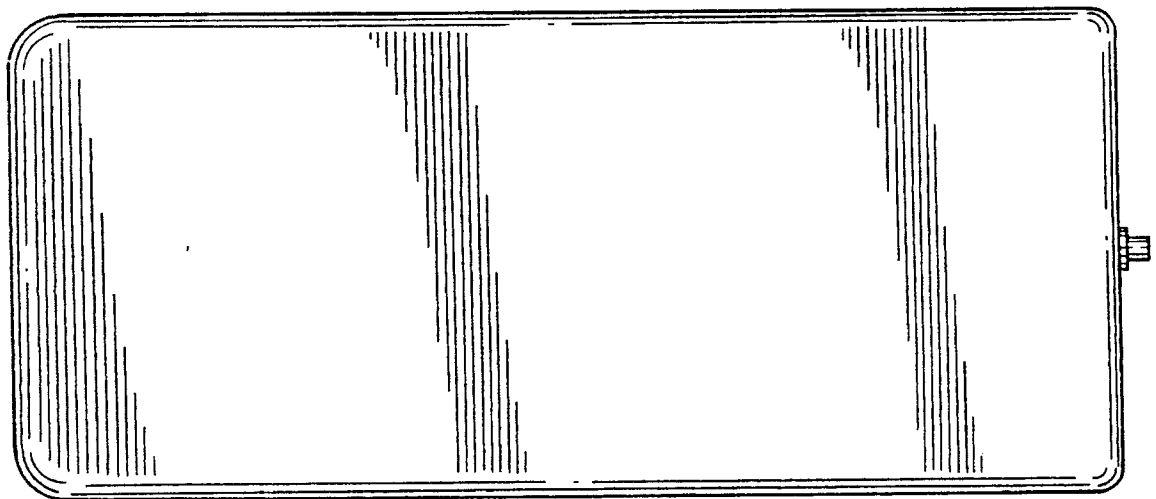


FIG. 4.

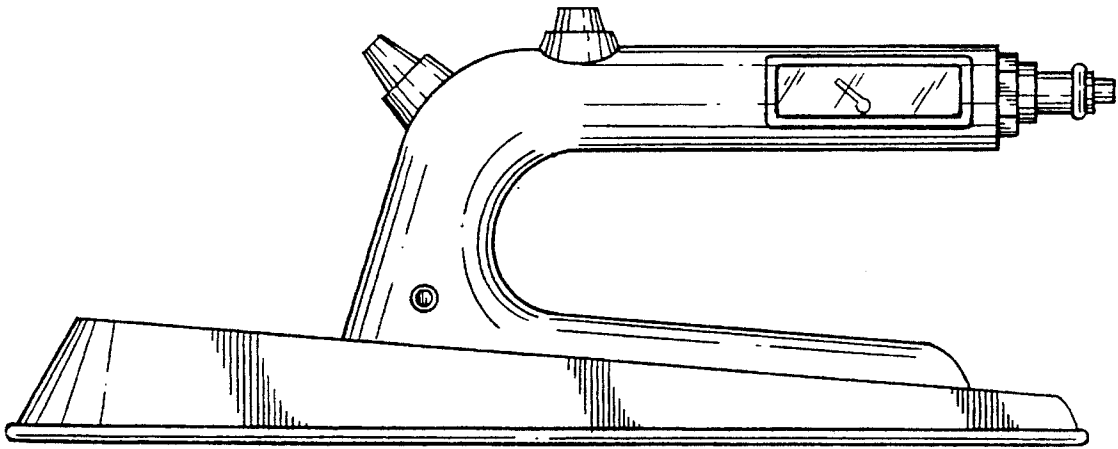


FIG. 5.

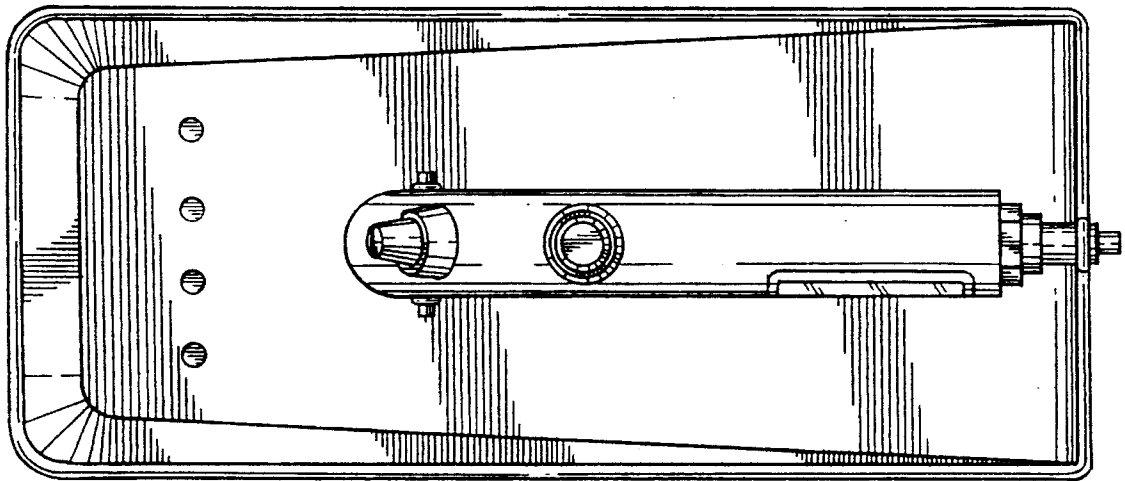
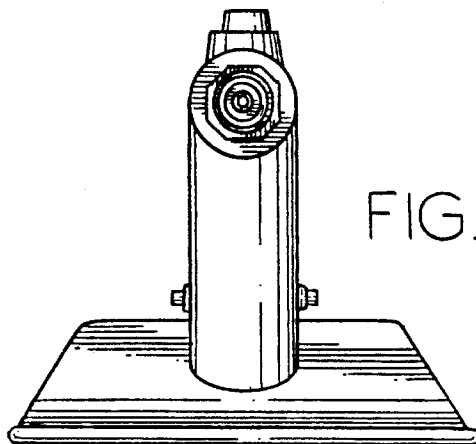


FIG. 3.



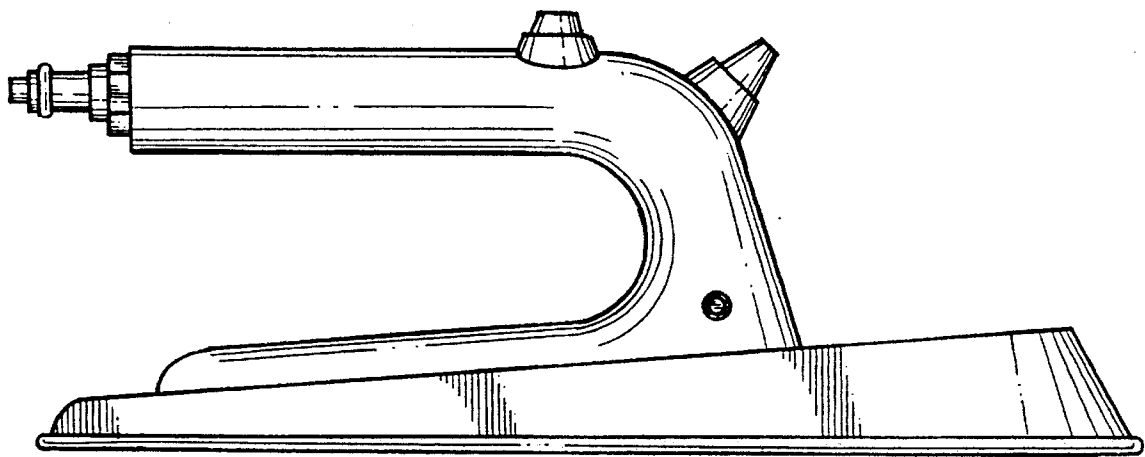


FIG. 7.