

(19) World Intellectual Property Organization  
International Bureau



(43) International Publication Date  
18 April 2002 (18.04.2002)

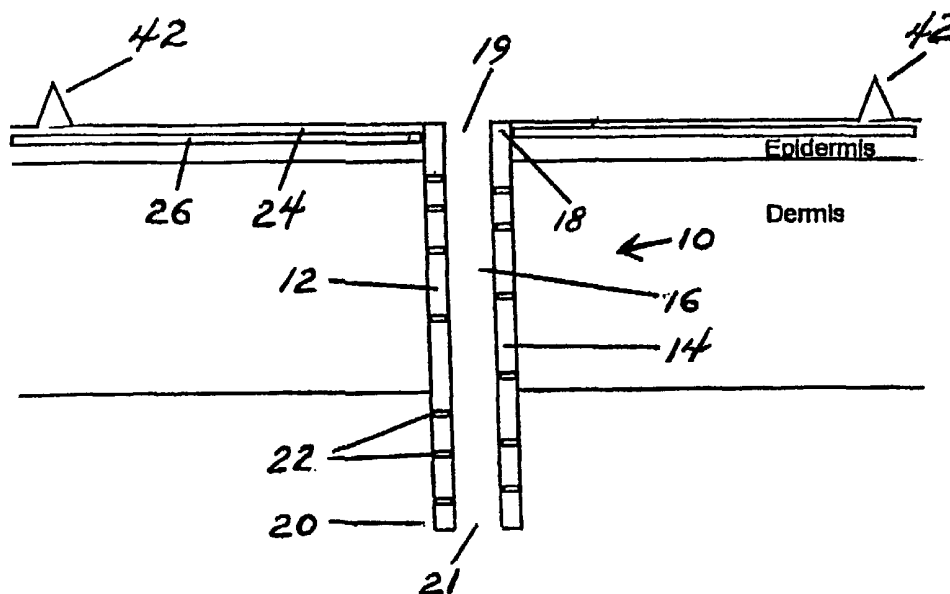
PCT

(10) International Publication Number  
WO 02/030488 A3

- (51) International Patent Classification<sup>7</sup>: A61B 5/15
- (74) Agents: WEINSTEIN, David, L. et al.; Dept. 377/AP6D-2, 100 Abbott Park Road, Abbott Park, IL 60064-6050 (US).
- (21) International Application Number: PCT/US01/32006
- (81) Designated States (national): CA, JP.
- (22) International Filing Date: 11 October 2001 (11.10.2001)
- (84) Designated States (regional): European patent (AT, BE, CH, CY, DE, DK, ES, FI, FR, GB, GR, IE, IT, LU, MC, NL, PT, SE, TR).
- (25) Filing Language: English
- (26) Publication Language: English
- (30) Priority Data: 09/689,527 12 October 2000 (12.10.2000) US
- Published: — with international search report
- (71) Applicant: ABBOTT LABORATORIES [US/US]; Dept. 377/AP6D-2, 100 Abbott Park Road, Abbott Park, IL 60064-6050 (US).
- (88) Date of publication of the international search report: 29 August 2002
- (72) Inventors: HENNING, Timothy, P.; 189 Sheffield Lane, Vernon Hills, IL 60061 (US). LOWERY, Michael, G.; 33720 Royal Oak Lane #201, Wildwood, IL 60030 (US).

For two-letter codes and other abbreviations, refer to the "Guidance Notes on Codes and Abbreviations" appearing at the beginning of each regular issue of the PCT Gazette.

(54) Title: DEVICE AND METHOD FOR OBTAINING INTERSTITIAL FLUID FROM A PATIENT FOR DIAGNOSTIC TESTS



(57) Abstract: A device for obtaining a sample of interstitial fluid from a patient for use in monitoring the level of blood glucose in the patient. The device comprises a hollow tube having a wall surrounding a cavity, wherein the wall of the tube contains a multiplicity of pores. The hollow tube is inserted into the tissues through the skin with the help of an introduction needle. No external suction is applied.



WO 02/030488 A3

## INTERNATIONAL SEARCH REPORT

International Application No

PCT/US 01/32006

## A. CLASSIFICATION OF SUBJECT MATTER

IPC 7 A61B5/15

According to International Patent Classification (IPC) or to both national classification and IPC

## B. FIELDS SEARCHED

Minimum documentation searched (classification system followed by classification symbols)

IPC 7 A61B A61M

Documentation searched other than minimum documentation to the extent that such documents are included in the fields searched

Electronic data base consulted during the international search (name of data base and, where practical, search terms used)

EPO-Internal, PAJ, WPI Data

## C. DOCUMENTS CONSIDERED TO BE RELEVANT

Category *	Citation of document, with indication, where appropriate, of the relevant passages	Relevant to claim No.
A	US 5 174 291 A (SCHOONEN ADELBERT J M ET AL) 29 December 1992 (1992-12-29) description fig.3 column 7, line 15-35	1
A	US 6 042 561 A (ASH STEPHEN R ET AL) 28 March 2000 (2000-03-28) abstract	1
A	US 5 746 217 A (HENDRICKSON TRACY A ET AL) 5 May 1998 (1998-05-05) column 10, line 24-45; figures 7,9,10	1

 Further documents are listed in the continuation of box C. Patent family members are listed in annex.

## \* Special categories of cited documents:

- \*A\* document defining the general state of the art which is not considered to be of particular relevance
- \*E\* earlier document but published on or after the international filing date
- \*L\* document which may throw doubts on priority claim(s) or which is cited to establish the publication date of another citation or other special reason (as specified)
- \*O\* document referring to an oral disclosure, use, exhibition or other means
- \*P\* document published prior to the international filing date but later than the priority date claimed

- \*T\* later document published after the international filing date or priority date and not in conflict with the application but cited to understand the principle or theory underlying the invention
- \*X\* document of particular relevance; the claimed invention cannot be considered novel or cannot be considered to involve an inventive step when the document is taken alone
- \*Y\* document of particular relevance; the claimed invention cannot be considered to involve an inventive step when the document is combined with one or more other such documents, such combination being obvious to a person skilled in the art.
- \*&\* document member of the same patent family

Date of the actual completion of the international search

8 April 2002

Date of mailing of the international search report

15/04/2002

Name and mailing address of the ISA

European Patent Office, P.B. 5818 Patentlaan 2  
 NL - 2280 HV Rijswijk  
 Tel. (+31-70) 340-2040, Tx. 31 651 epo nl,  
 Fax: (+31-70) 340-3016

Authorized officer

Papone, F

## INTERNATIONAL SEARCH REPORT

information on patent family members

In International Application No

PCT/US 01/32006

Patent document cited in search report		Publication date	Patent family member(s)	Publication date
US 5174291	A	29-12-1992	NL 8702370 A	01-05-1989
			AT 109339 T	15-08-1994
			DE 3850972 D1	08-09-1994
			DE 3850972 T2	01-12-1994
			EP 0393054 A1	24-10-1990
			JP 2786646 B2	13-08-1998
			JP 3505516 T	05-12-1991
			WO 8902720 A1	06-04-1989
			US 6042561	A
US 5746217	A	05-05-1998	US 5582184 A	10-12-1996
			US 6080116 A	27-06-2000
			US 5820570 A	13-10-1998
			AT 175331 T	15-01-1999
			AU 687912 B2	05-03-1998
			AU 8015894 A	04-05-1995
			DE 69415821 D1	18-02-1999
			DE 69415821 T2	20-05-1999
			EP 0723418 A1	31-07-1996
			ES 2126156 T3	16-03-1999
			JP 9510879 T	04-11-1997
			WO 9510223 A2	20-04-1995