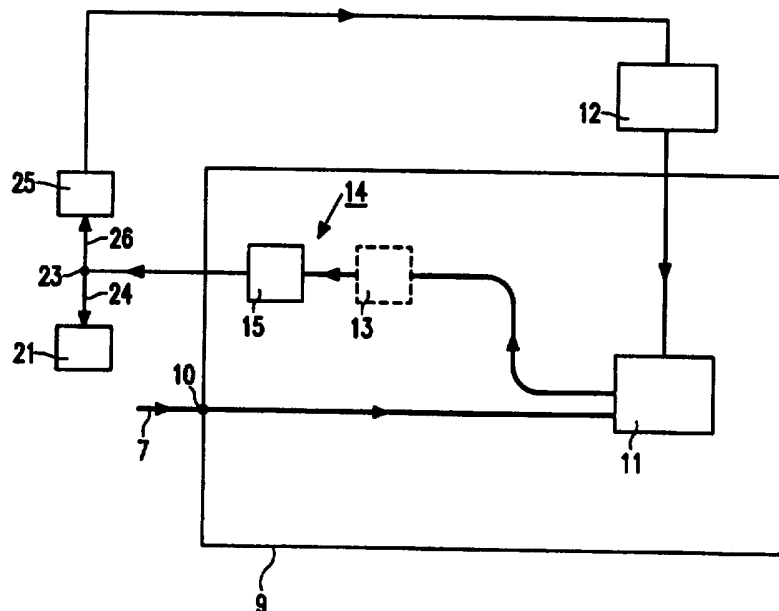




INTERNATIONAL APPLICATION PUBLISHED UNDER THE PATENT COOPERATION TREATY (PCT)

(51) International Patent Classification ⁶ : H04B 10/06, 10/17	A3	(11) International Publication Number: WO 96/09699 (43) International Publication Date: 28 March 1996 (28.03.96)
(21) International Application Number: PCT/IB95/00758 (22) International Filing Date: 13 September 1995 (13.09.95) (30) Priority Data: 94202745.9 23 September 1994 (23.09.94) EP (34) Countries for which the regional or international application was filed: AT et al. (71) Applicant: PHILIPS ELECTRONICS N.V. [NL/NL]; Groenewoudseweg 1, NL-5621 BA Eindhoven (NL). (71) Applicant (for SE only): PHILIPS NORDEN AB [SE/SE]; Kottbygatan 5, Kista, S-164 85 Stockholm (SE). (72) Inventors: LIEDENBAUM, Coen, Theodorus, Hubertus, Franciscus; Groenewoudseweg 1, NL-5621 BA Eindhoven (NL). REID, John, James, Ellis; Groenewoudseweg 1, NL-5621 BA Eindhoven (NL). (74) Agent: FAESSEN, Louis, M., H.; Internationaal Octrooibureau B.V., P.O. Box 220, NL-5600 AE Eindhoven (NL).		(81) Designated States: CA, JP, European patent (AT, BE, CH, DE, DK, ES, FR, GB, GR, IE, IT, LU, MC, NL, PT, SE). Published <i>With international search report.</i> (88) Date of publication of the international search report: 30 May 1996 (30.05.96)

(54) Title: OPTICAL UNIT FOR RESTORING A PULSE PATTERN, AND RECEIVER SUITABLE FOR USE IN A TRANSMISSION SYSTEM COMPRISING SUCH A UNIT

**(57) Abstract**

An optical unit (9) for restoring a pulse pattern is described. The unit (9) has an input (10) for receiving a signal pulse series at a modulation period T and wavelength λ_p , and comprises a pulsed laser (11) for supplying a pulse series whose distance between two consecutive pulses is equal to $n \cdot T$, in which n is an integer and is variable throughout the pulse series. Pulses of the signal pulse series can be injected into the pulsed laser (11). Moreover, the unit (9) comprises at least a detection system (14) arranged in the path of the radiation emitted by the pulsed laser (11), which system detects on the basis of a variation of a feedback-sensitive parameter of the laser (11).

FOR THE PURPOSES OF INFORMATION ONLY

Codes used to identify States party to the PCT on the front pages of pamphlets publishing international applications under the PCT.

AT	Austria	GB	United Kingdom	MR	Mauritania
AU	Australia	GE	Georgia	MW	Malawi
BB	Barbados	GN	Guinea	NE	Niger
BE	Belgium	GR	Greece	NL	Netherlands
BF	Burkina Faso	HU	Hungary	NO	Norway
BG	Bulgaria	IE	Ireland	NZ	New Zealand
BJ	Benin	IT	Italy	PL	Poland
BR	Brazil	JP	Japan	PT	Portugal
BY	Belarus	KE	Kenya	RO	Romania
CA	Canada	KG	Kyrgystan	RU	Russian Federation
CF	Central African Republic	KP	Democratic People's Republic of Korea	SD	Sudan
CG	Congo	KR	Republic of Korea	SE	Sweden
CH	Switzerland	KZ	Kazakhstan	SI	Slovenia
CI	Côte d'Ivoire	LI	Liechtenstein	SK	Slovakia
CM	Cameroon	LK	Sri Lanka	SN	Senegal
CN	China	LU	Luxembourg	TD	Chad
CS	Czechoslovakia	LV	Larvia	TG	Togo
CZ	Czech Republic	MC	Monaco	TJ	Tajikistan
DE	Germany	MD	Republic of Moldova	TT	Trinidad and Tobago
DK	Denmark	MG	Madagascar	UA	Ukraine
ES	Spain	ML	Mali	US	United States of America
FI	Finland	MN	Mongolia	UZ	Uzbekistan
FR	France			VN	Viet Nam
GA	Gabon				

INTERNATIONAL SEARCH REPORT

International application No.

PCT/IB 95/00758

A. CLASSIFICATION OF SUBJECT MATTER

IPC6: H04B 10/06, H04B 10/17

According to International Patent Classification (IPC) or to both national classification and IPC

B. FIELDS SEARCHED

Minimum documentation searched (classification system followed by classification symbols)

IPC6: H04B

Documentation searched other than minimum documentation to the extent that such documents are included in the fields searched

Electronic data base consulted during the international search (name of data base and, where practicable, search terms used)

WPI

C. DOCUMENTS CONSIDERED TO BE RELEVANT

Category*	Citation of document, with indication, where appropriate, of the relevant passages	Relevant to claim No.
X	US 4980891 A (H. ISADPANAH), 25 December 1990 (25.12.90), column 2, line 24 - column 3, line 41 --	1-10
A	US 5309267 A (A. HUANG), 3 May 1994 (03.05.94), column 1, line 30 - column 2, line 2 -- -----	1

 Further documents are listed in the continuation of Box C. See patent family annex.

* Special categories of cited documents:	"T" later document published after the international filing date or priority date and not in conflict with the application but cited to understand the principle or theory underlying the invention
"A" document defining the general state of the art which is not considered to be of particular relevance	"X" document of particular relevance: the claimed invention cannot be considered novel or cannot be considered to involve an inventive step when the document is taken alone
"E" earlier document but published on or after the international filing date	"Y" document of particular relevance: the claimed invention cannot be considered to involve an inventive step when the document is combined with one or more other such documents, such combination being obvious to a person skilled in the art
"L" document which may throw doubts on priority claim(s) or which is cited to establish the publication date of another citation or other special reason (as specified)	"&" document member of the same patent family
"O" document referring to an oral disclosure, use, exhibition or other means	
"P" document published prior to the international filing date but later than the priority date claimed	

Date of the actual completion of the international search

15 March 1996

Date of mailing of the international search report

15 -03- 1996

Name and mailing address of the ISA/
Swedish Patent Office
Box 5055, S-102 42 STOCKHOLM
Facsimile No. +46 8 666 02 86

Authorized officer

Håkan Sandh
Telephone No. +46 8 782 25 00

INTERNATIONAL SEARCH REPORT

Information on patent family members

05/02/96

International application No.

PCT/IB 95/00758

Patent document cited in search report	Publication date	Patent family member(s)	Publication date
US-A- 4980891	25/12/90	NONE	
US-A- 5309267	03/05/94	EP-A- 0589617 JP-A- 6235951	30/03/94 23/08/94