



US00D767074S

(12) **United States Design Patent** (10) **Patent No.:** **US D767,074 S**
Sui (45) **Date of Patent:** **** Sep. 20, 2016**

(54) **MUZZLE BRAKE**
(71) Applicant: **Yongming Sui**, Ontario, CA (US)
(72) Inventor: **Yongming Sui**, Ontario, CA (US)
(**) Term: **14 Years**
(21) Appl. No.: **29/517,838**
(22) Filed: **Feb. 17, 2015**
(51) **LOC (10) Cl.** **22-01**
(52) **U.S. Cl.** **D22/108**
USPC **D22/108**
(58) **Field of Classification Search**
USPC D22/103, 108; D21/572-575
CPC F41A 21/34; F41A 21/325; F41A 21/32;
F41A 21/28
See application file for complete search history.

(56) **References Cited**
U.S. PATENT DOCUMENTS
8,333,139 B2 * 12/2012 Addis F41A 21/32
42/75.02
D729,894 S * 5/2015 DeLuca D22/108

D747,429 S * 1/2016 Larson, Jr. D22/108
9,228,789 B1 * 1/2016 Oglesby F41A 21/36
2010/0275492 A1 * 11/2010 Moller F41A 21/40
42/79

* cited by examiner

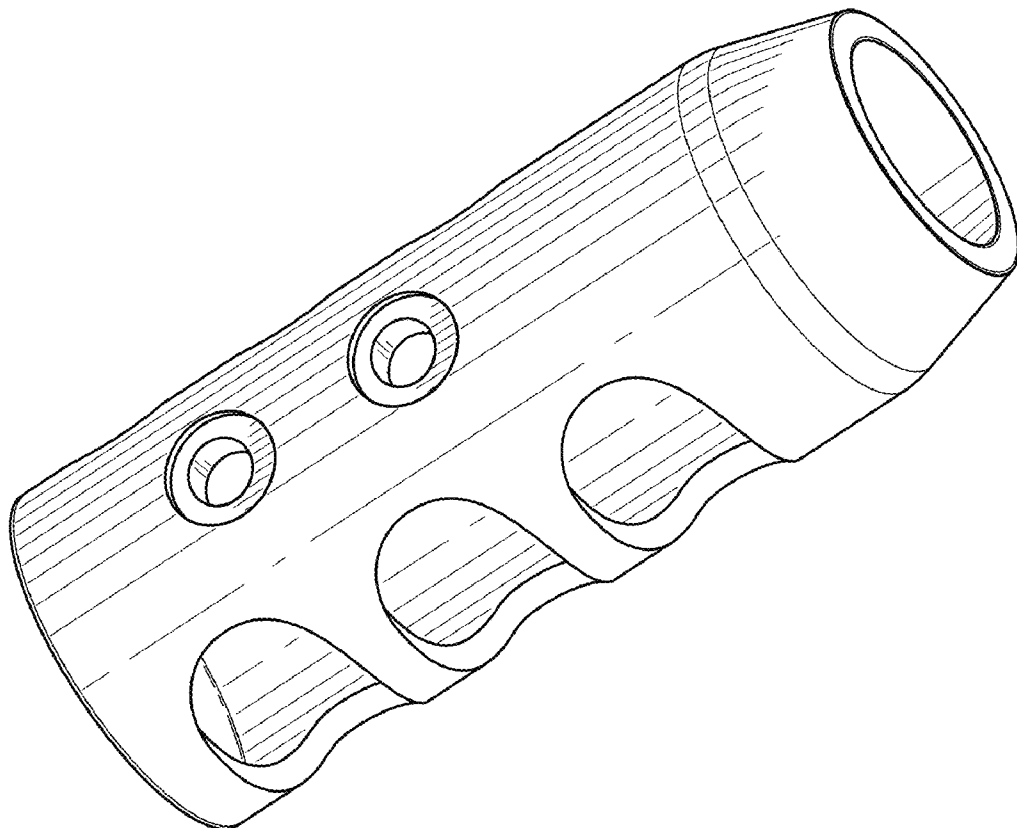
Primary Examiner — Michael A Pratt
(74) *Attorney, Agent, or Firm* — Che-Yang Chen; Law
Offices of Scott Warmuth

(57) **CLAIM**
The ornamental design for a muzzle brake, as shown and
described.

DESCRIPTION

FIG. 1 is a perspective view of a muzzle brake showing my
new design;
FIG. 2 is a front elevational view thereof;
FIG. 3 is a rear elevational view thereof;
FIG. 4 is a left side elevational view thereof;
FIG. 5 is a right side elevational view thereof;
FIG. 6 is a top plan view thereof; and,
FIG. 7 is a bottom plan view thereof.

1 Claim, 3 Drawing Sheets



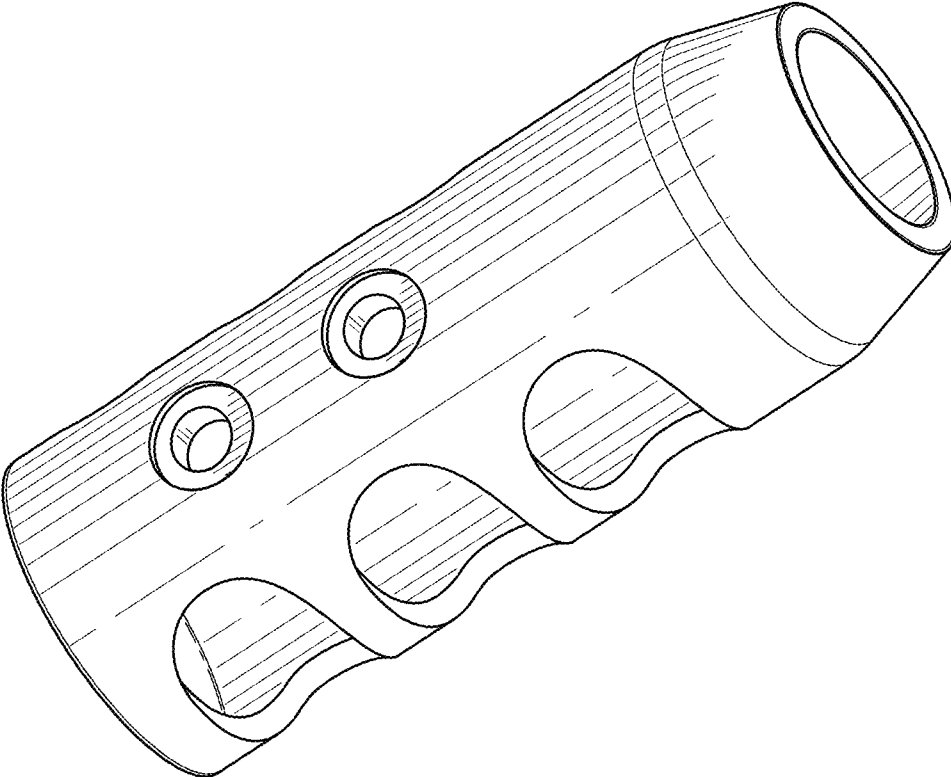


FIG. 1

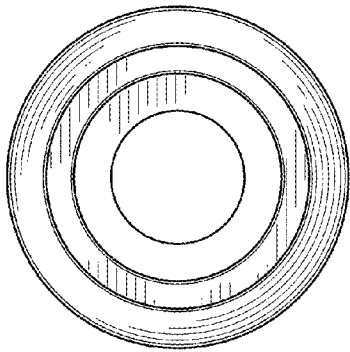


FIG. 2

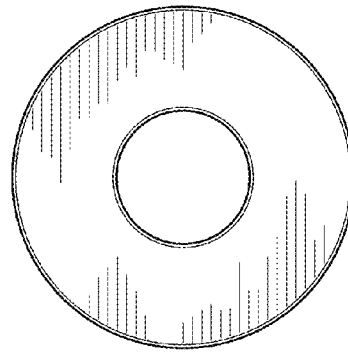


FIG. 3

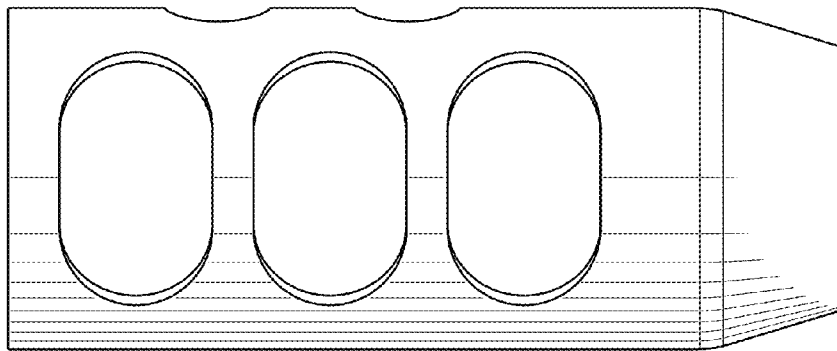


FIG. 4

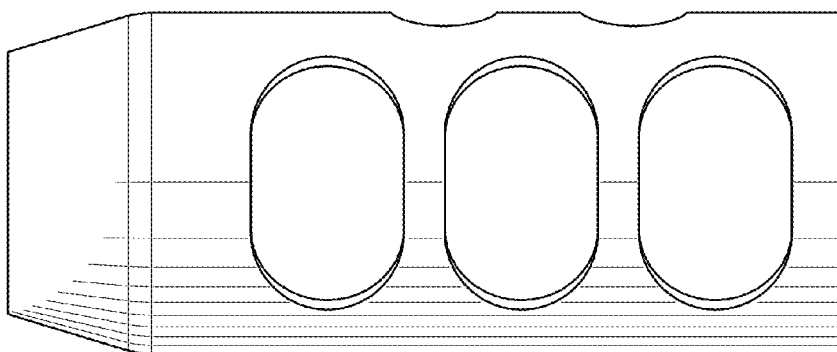


FIG. 5

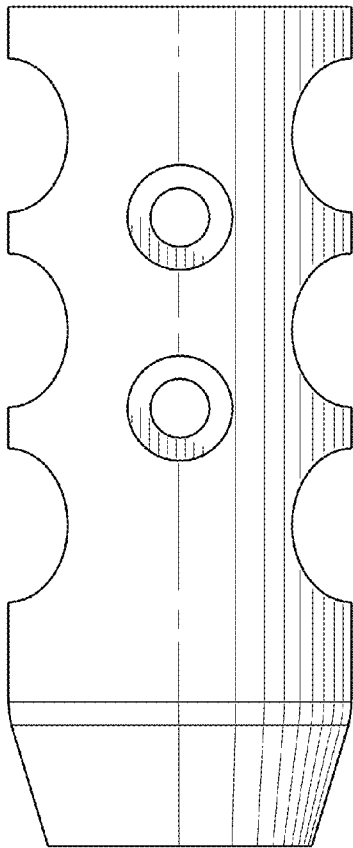


FIG. 6

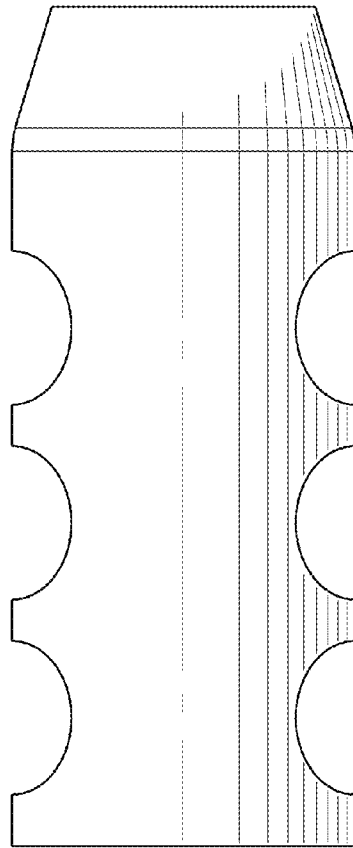


FIG. 7