

(19) World Intellectual Property Organization
International Bureau



(43) International Publication Date
3 January 2008 (03.01.2008)

PCT

(10) International Publication Number
WO 2008/001308 A3

- (51) **International Patent Classification:**
H04N 5/445 (2006.01)
- (21) **International Application Number:**
PCT/IB2007/052475
- (22) **International Filing Date:** 26 June 2007 (26.06.2007)
- (25) **Filing Language:** English
- (26) **Publication Language:** English
- (30) **Priority Data:**
60/817,460 29 June 2006 (29.06.2006) US
- (71) **Applicant (for all designated States except US):** KONINKLIJKE PHILIPS ELECTRONICS, N.V. [NL/NL]; Groenewoudseweg 1, NL-5621 BA Eindhoven (NL).
- (71) **Applicant (for AE only):** U.S. PHILIPS CORPORATION [US/US]; 1251 Avenue of the Americas, New York, New York 10020 (US).
- (72) **Inventor; and**
- (75) **Inventor/Applicant (for US only):** GUILLORIT, Fabian [NL/NL]; Groenewoudseweg 1, NL-5621 BA Eindhoven (NL).
- (74) **Common Representative:** KONINKLIJKE PHILIPS ELECTRONICS, N.V.; Intellectual Property & Standards, c/o BRAM, Eric M., P.O. Box 3001, Briarcliff Manor, New York 10510-8001 (US).

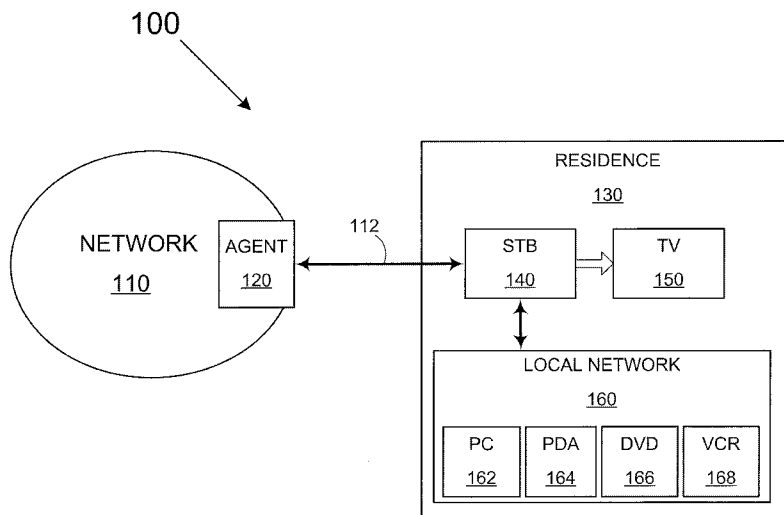
- (81) **Designated States (unless otherwise indicated, for every kind of national protection available):** AE, AG, AL, AM, AT, AU, AZ, BA, BB, BG, BH, BR, BW, BY, BZ, CA, CH, CN, CO, CR, CU, CZ, DE, DK, DM, DO, DZ, EC, EE, EG, ES, FI, GB, GD, GE, GH, GM, GT, HN, HR, HU, ID, IL, IN, IS, JP, KE, KG, KM, KN, KP, KR, KZ, LA, LC, LK, LR, LS, LT, LU, LY, MA, MD, ME, MG, MK, MN, MW, MX, MY, MZ, NA, NG, NI, NO, NZ, OM, PG, PH, PL, PT, RO, RS, RU, SC, SD, SE, SG, SK, SL, SM, SV, SY, TJ, TM, TN, TR, TT, TZ, UA, UG, US, UZ, VC, VN, ZA, ZM, ZW.
- (84) **Designated States (unless otherwise indicated, for every kind of regional protection available):** ARIPO (BW, GH, GM, KE, LS, MW, MZ, NA, SD, SL, SZ, TZ, UG, ZM, ZW), Eurasian (AM, AZ, BY, KG, KZ, MD, RU, TJ, TM), European (AT, BE, BG, CH, CY, CZ, DE, DK, EE, ES, FI, FR, GB, GR, HU, IE, IS, IT, LT, LU, LV, MC, MT, NL, PL, PT, RO, SE, SI, SK, TR), OAPI (BF, BJ, CF, CG, CI, CM, GA, GN, GQ, GW, ML, MR, NE, SN, TD, TG).

Declarations under Rule 4.17:

- as to applicant's entitlement to apply for and be granted a patent (Rule 4.17(ii))
- as to the applicant's entitlement to claim the priority of the earlier application (Rule 4.17(iii))

[Continued on next page]

(54) **Title:** METHODS AND SYSTEMS RELATING TO THE IMPORT, MANIPULATION AND EXPORT OF DATA USING SET-TOP BOXES



(57) **Abstract:** Methods and devices for exporting and displaying video information are disclosed. For example, an exemplary set-top box especially configured to receive, manipulate and export video signals and television programming information is described. The set-top box includes a tuning device capable of receiving both television signals and programming signals relating to the received television signals, a data extraction device configured to extract programming information from the received programming signals, and a network interface capable of communicating with a network residing in a consumer residence, wherein the data extraction device is further configured to provide the programming information to one or more computer-based devices connected to the network via a data-transmission protocol.

WO 2008/001308 A3



Published:

- *with international search report*
- *before the expiration of the time limit for amending the claims and to be republished in the event of receipt of amendments*

(88) Date of publication of the international search report:
10 July 2008

INTERNATIONAL SEARCH REPORT

International application No
PCT/IB2007/052475

A. CLASSIFICATION OF SUBJECT MATTER
INV. H04N5/445

According to International Patent Classification (IPC) or to both national classification and IPC

B. FIELDS SEARCHED

Minimum documentation searched (classification system followed by classification symbols)
H04N

Documentation searched other than minimum documentation to the extent that such documents are included in the fields searched

Electronic data base consulted during the international search (name of data base and, where practical, search terms used)

EPO-Internal, WPI Data, COMPENDEX

C. DOCUMENTS CONSIDERED TO BE RELEVANT

Category*	Citation of document, with indication, where appropriate, of the relevant passages	Relevant to claim No.
X Y	US 2006/080408 A1 (ISTVAN ANTHONY F [US] ET AL) 13 April 2006 (2006-04-13) abstract paragraphs [0005] - [0008] paragraphs [0018] - [0039] paragraphs [0050] - [0062] paragraphs [0076] - [0096] figures 1-7	1-13, 17-19 14, 16
Y	US 2006/031888 A1 (SPARRELL CARLTON J [US]) 9 February 2006 (2006-02-09) abstract paragraphs [0015] - [0034] paragraphs [0063] - [0077] figures 1,2	14, 16
	----- -/-- -----	

Further documents are listed in the continuation of Box C.

See patent family annex.

* Special categories of cited documents :

- *A* document defining the general state of the art which is not considered to be of particular relevance
- *E* earlier document but published on or after the international filing date
- *L* document which may throw doubts on priority claim(s) or which is cited to establish the publication date of another citation or other special reason (as specified)
- *O* document referring to an oral disclosure, use, exhibition or other means
- *P* document published prior to the international filing date but later than the priority date claimed

- *T* later document published after the international filing date or priority date and not in conflict with the application but cited to understand the principle or theory underlying the invention
- *X* document of particular relevance; the claimed invention cannot be considered novel or cannot be considered to involve an inventive step when the document is taken alone
- *Y* document of particular relevance; the claimed invention cannot be considered to involve an inventive step when the document is combined with one or more other such documents, such combination being obvious to a person skilled in the art.
- *&* document member of the same patent family

Date of the actual completion of the international search

15 February 2008

Date of mailing of the international search report

21/05/2008

Name and mailing address of the ISA/
European Patent Office, P.B. 5818 Patentlaan 2
NL - 2280 HV Rijswijk
Tel. (+31-70) 340-2040, Tx. 31 651 epo nl,
Fax: (+31-70) 340-3016

Authorized officer

Horstmannshoff, Jens

INTERNATIONAL SEARCH REPORT

International application No
PCT/IB2007/052475

C(Continuation). DOCUMENTS CONSIDERED TO BE RELEVANT

Category*	Citation of document, with indication, where appropriate, of the relevant passages	Relevant to claim No.
A	CYRIL DEGUET, ALEXIS DE LATTRE: "VLS User Guide" [Online] 2004, VIDEO LAN PROJECT , XP002466697 Retrieved from the Internet: URL: http://download.videolan.org/doc/vls-user-guide/en/vls-user-guide-en.pdf [retrieved on 2008-01-23] the whole document -----	1-14, 16-19
A	WO 2006/031714 A (UNIVERSAL ELECTRONICS INC [US]; LOUIE ALEX [US]; ALVARADO CESAR [US];) 23 March 2006 (2006-03-23) abstract -----	1-14, 16-19

INTERNATIONAL SEARCH REPORT

International application No.
PCT/IB2007/052475

Box No. II Observations where certain claims were found unsearchable (Continuation of item 2 of first sheet)

This international search report has not been established in respect of certain claims under Article 17(2)(a) for the following reasons:

1. Claims Nos.:
because they relate to subject matter not required to be searched by this Authority, namely:

2. Claims Nos.:
because they relate to parts of the international application that do not comply with the prescribed requirements to such an extent that no meaningful international search can be carried out, specifically:

3. Claims Nos.:
because they are dependent claims and are not drafted in accordance with the second and third sentences of Rule 6.4(a).

Box No. III Observations where unity of invention is lacking (Continuation of item 3 of first sheet)

This International Searching Authority found multiple inventions in this international application, as follows:

see additional sheet

1. As all required additional search fees were timely paid by the applicant, this international search report covers allsearchable claims.

2. As all searchable claims could be searched without effort justifying an additional fees, this Authority did not invite payment of additional fees.

3. As only some of the required additional search fees were timely paid by the applicant, this international search report covers only those claims for which fees were paid, specifically claims Nos.:

4. No required additional search fees were timely paid by the applicant. Consequently, this international search report is restricted to the invention first mentioned in the claims; it is covered by claims Nos.:

see annex

Remark on Protest

- The additional search fees were accompanied by the applicant's protest and, where applicable, the payment of a protest fee.
- The additional search fees were accompanied by the applicant's protest but the applicable protest fee was not paid within the time limit specified in the invitation.
- No protest accompanied the payment of additional search fees.

FURTHER INFORMATION CONTINUED FROM PCT/ISA/ 210

This International Searching Authority found multiple (groups of) inventions in this international application, as follows:

1. claims: 1-14,16-19

Broadcasting of video signals and programming information in a consumer residence network

2. claims: 15,20-34

Aggregation of programming information from multiple sources in a single device within a consumer residence network

INTERNATIONAL SEARCH REPORT

Information on patent family members

International application No

PCT/IB2007/052475

Patent document cited in search report	Publication date	Patent family member(s)	Publication date
US 2006080408	A1	13-04-2006	NONE
US 2006031888	A1	09-02-2006	NONE
WO 2006031714	A	23-03-2006	NONE