



US0D1069020S

(12) **United States Design Patent**
Radau et al.

(10) **Patent No.:** **US D1,069,020 S**
(45) **Date of Patent:** **** *Apr. 1, 2025**

(54) **THERMAL FRONT ATTACHMENT FOR TELESCOPIC SIGHT**

(71) Applicant: **Carl Zeiss AG**, Oberkochen (DE)

(72) Inventors: **Nils Radau**, Salzburg (AT); **Julien Quiring**, Salzburg (AT); **Julian Schloemer**, Sankt Leonhard (AT)

(73) Assignee: **Carl Zeiss AG**, Oberkochen (DE)

(*) Notice: This patent is subject to a terminal disclaimer.

(**) Term: **15 Years**

(21) Appl. No.: **29/824,209**

(22) Filed: **Jan. 22, 2022**

(51) **LOC (15) Cl.** **22-01**

(52) **U.S. Cl.**
USPC **D22/109**

(58) **Field of Classification Search**
USPC D16/130, 132, 133, 220; D21/572-574; D22/108, 109, 110, 199; D26/38, 60
CPC F41G 1/00; F41G 1/32; F41G 1/35
See application file for complete search history.

(56) **References Cited**

U.S. PATENT DOCUMENTS

D274,915 S *	7/1984	Keil	D16/133
D347,018 S *	5/1994	Jehn	D16/132
D349,510 S *	8/1994	Tomita	D16/132
5,434,704 A *	7/1995	Connors	G02B 23/12 359/425
D365,858 S *	1/1996	Tomita	D16/132
D369,367 S *	4/1996	Tomita	D16/132
D490,097 S *	5/2004	Regan	D16/132
D510,402 S *	10/2005	Owens	D22/108
D512,449 S *	12/2005	Regan	D16/132
D515,118 S *	2/2006	Larsson	D16/132

(Continued)

FOREIGN PATENT DOCUMENTS

CH 146459-0002 * 12/2021
EM 008626972-0002 * 8/2021

(Continued)

OTHER PUBLICATIONS

Zeiss DTC 3, Zeiss Online Product Page. Earliest Publication Date: May 3, 2022. Date Accessed: Dec. 15, 2023. Retrieved from Internet URL: <https://www.zeiss.com/consumer-products/int/home/content/newsroom/news-overview/2022/zeiss-dtc-3.html> ((Year: 2022).*

(Continued)

Primary Examiner — S. Bryan Reinholdt, Jr.

Assistant Examiner — Kaitlan Walker

(74) *Attorney, Agent, or Firm* — Ewers IP Law PLLC; Falk Ewers

(57) **CLAIM**

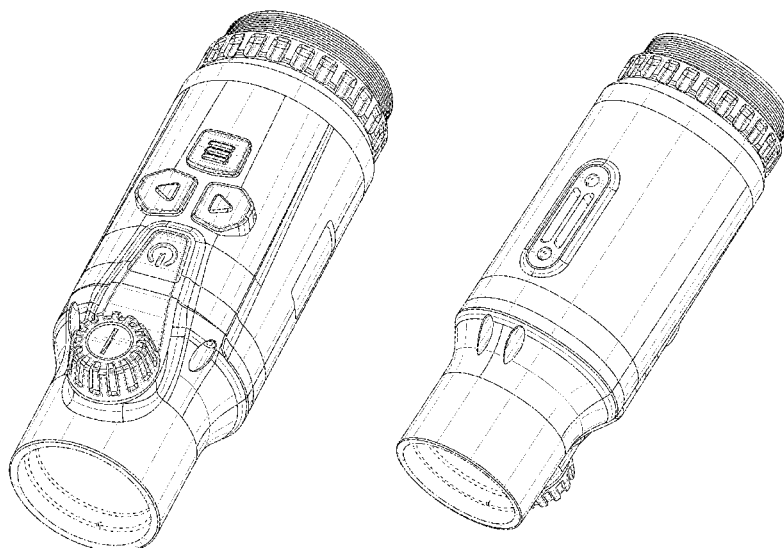
The ornamental design for a thermal front attachment for telescopic sight, as shown and described.

DESCRIPTION

FIG. 1 is a top perspective view of a thermal front attachment for telescopic sight showing our new design; FIG. 2 is a top plan view thereof; FIG. 3 is a bottom plan view thereof; FIG. 4 is a right side view thereof; FIG. 5 is a left side view thereof; FIG. 6 is a rear view thereof; FIG. 7 is a front view thereof; and, FIG. 8 is a bottom perspective view thereof.

The evenly broken lines depict portions of the thermal front attachment for telescopic sight that form no part of the claimed design. The dot-dash boundary lines define the bounds of the thermal front attachment for telescopic sight that form no part of the claimed design.

1 Claim, 8 Drawing Sheets



(56)

References Cited

U.S. PATENT DOCUMENTS

D517,639	S *	3/2006	Sauter	D22/109
D519,537	S *	4/2006	Regan	D16/132
D532,803	S *	11/2006	Regan	D16/132
D548,385	S *	8/2007	Sharrah	D26/51
D578,599	S *	10/2008	Cheng	D22/108
D604,384	S *	11/2009	Bengtsson	D22/109
D615,141	S *	5/2010	Leighton	D22/108
D630,359	S *	1/2011	Kang	D26/61
D674,858	S *	1/2013	Galli	D22/108
D676,096	S *	2/2013	Gambino	D22/109
D707,784	S *	6/2014	Cragie	D22/108
D709,158	S *	7/2014	Wells	D22/108
D732,134	S *	6/2015	Wells	D22/108
D742,992	S *	11/2015	Arnedo Vera	D22/109
D750,726	S *	3/2016	Cheng	D22/109
D757,886	S *	5/2016	Cheng	D22/109
D762,806	S *	8/2016	Chavez	D22/109
D764,006	S *	8/2016	Horton	D22/109
D764,007	S *	8/2016	Horton	D22/109
D765,212	S *	8/2016	Cheng	D22/109
RE46,226	E *	12/2016	Gambino	D22/109
D774,158	S *	12/2016	Cheng	D22/109
D783,116	S *	4/2017	Cheng	D22/109
D795,989	S *	8/2017	Horton	D22/109
D800,362	S *	10/2017	Galli	D26/60
D806,820	S *	1/2018	Larsson	D22/109
D808,489	S *	1/2018	Cheng	D22/108
D813,340	S *	3/2018	Galli	D22/108
9,982,965	B2 *	5/2018	Sun	F41G 1/345
D841,111	S *	2/2019	Proell	D22/109
D844,734	S *	4/2019	Cheng	D22/108
D862,558	S *	10/2019	Larsson	D16/132
D888,874	S *	6/2020	Hamilton	D22/109
D895,050	S *	9/2020	Larsson	D22/109
D900,273	S *	10/2020	Cheng	D22/109
D908,182	S *	1/2021	Galli	D22/108
D917,651	S *	4/2021	Huang	D22/109
D927,632	S *	8/2021	Li	D22/108
D928,905	S *	8/2021	Larsson	D22/109
11,105,586	B2 *	8/2021	Tayon	F41G 1/35
11,236,971	B2 *	2/2022	Sheets, Jr.	F41G 1/345
D946,073	S *	3/2022	Radau	D16/202
D946,641	S *	3/2022	Radau	D16/202
D953,474	S *	5/2022	Kim	D22/109
D957,018	S *	7/2022	Chen	D22/108
11,604,344	B2 *	3/2023	Abe	G02B 25/001
D987,012	S *	5/2023	Pischke	D22/109
D987,765	S *	5/2023	Sheets, Jr.	D22/199
D992,029	S *	7/2023	Liu	D22/108
D994,070	S *	8/2023	Kim	D22/109
D995,695	S *	8/2023	Larsson	D22/109
D995,696	S *	8/2023	Pischke	D22/109
D997,285	S *	8/2023	Worman	D22/108
D997,413	S *	8/2023	Sharrah	D22/108
D998,744	S *	9/2023	Larsson	D22/199
D999,332	S *	9/2023	Eichelberger	F41G 11/003
				D26/49
D1,005,541	S *	11/2023	Worman	F21V 23/0421
				D22/199
2004/0212878	A1 *	10/2004	Regan	G02B 23/02
				359/402
2005/0268521	A1 *	12/2005	Cox	F41G 3/06
				42/130
2007/0113461	A1 *	5/2007	Wang	F41G 11/003
				42/146
2008/0295380	A1 *	12/2008	Buckingham	F41G 1/345
				250/462.1
2009/0168057	A1 *	7/2009	Gerlach	F41G 1/30
				356/251
2011/0296732	A1 *	12/2011	Carlson	F41G 11/008
				42/90
2012/0055063	A1 *	3/2012	Lindau	F41G 1/30
				42/130
2014/0237884	A1 *	8/2014	Koesler	F41G 1/345
				42/111
2017/0038177	A1 *	2/2017	Sun	F41G 11/003
2018/0372448	A1 *	12/2018	Noskowicz	F41G 1/345
2021/0247055	A1 *	8/2021	Abe	G02B 7/02
2022/0099409	A1 *	3/2022	Larsson	F41G 1/38

FOREIGN PATENT DOCUMENTS

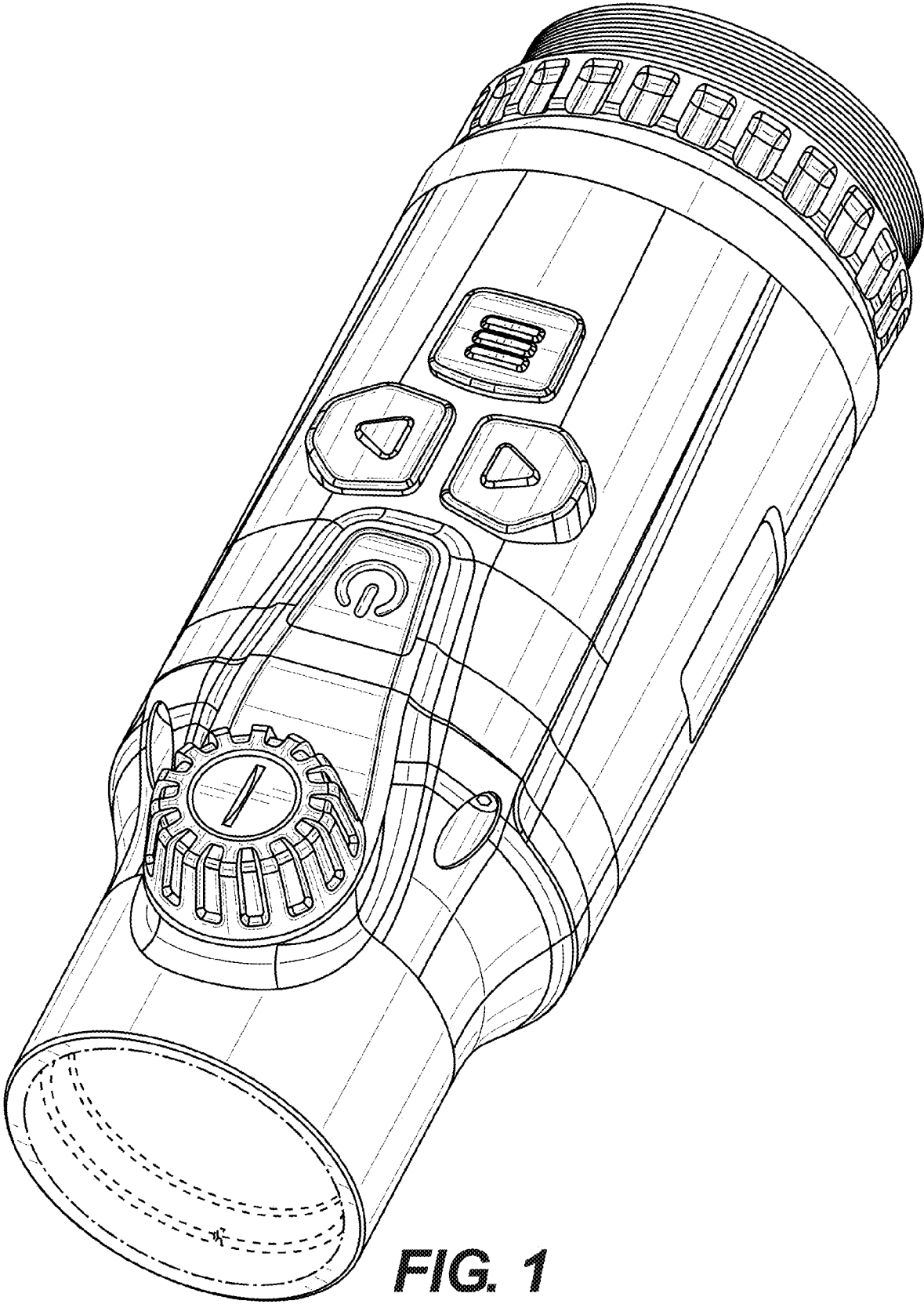
GB	6175896	*	11/2021
GB	6175897	*	11/2021
GH	146459-0001	*	12/2021
NO	087271-0001	*	3/2022
NO	087271-0002	*	3/2022

OTHER PUBLICATIONS

DTC3_38, Zeiss Online Product Page. Earliest Publication Date: May 20, 2022. Date Accessed: Dec. 15, 2023. Retrieved from Internet URL: <https://www.zeiss.com/consumer-products/int/hunting/thermal-imaging/dtc-3/dtc-338.html> (Year: 2022).*

Office Action issued in Chinese Patent Application No. CN 202130859966.1, dated Mar. 28, 2022 and English language translation thereof.

* cited by examiner



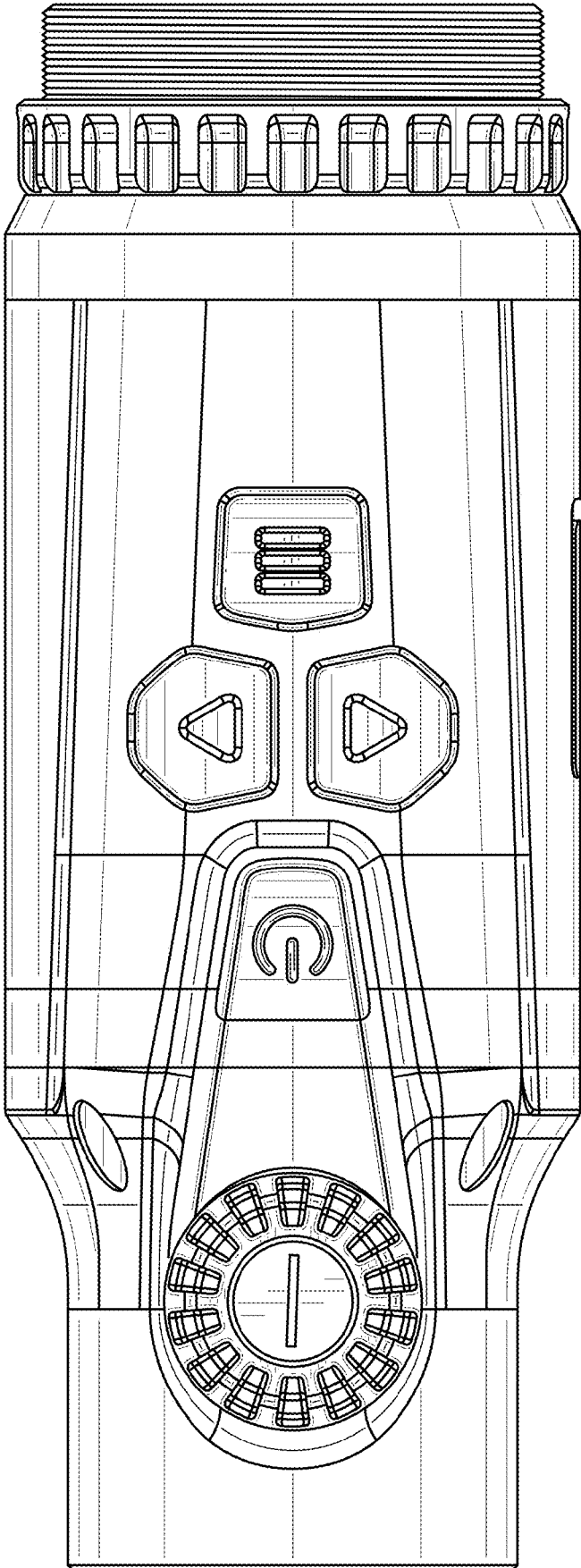


FIG. 2

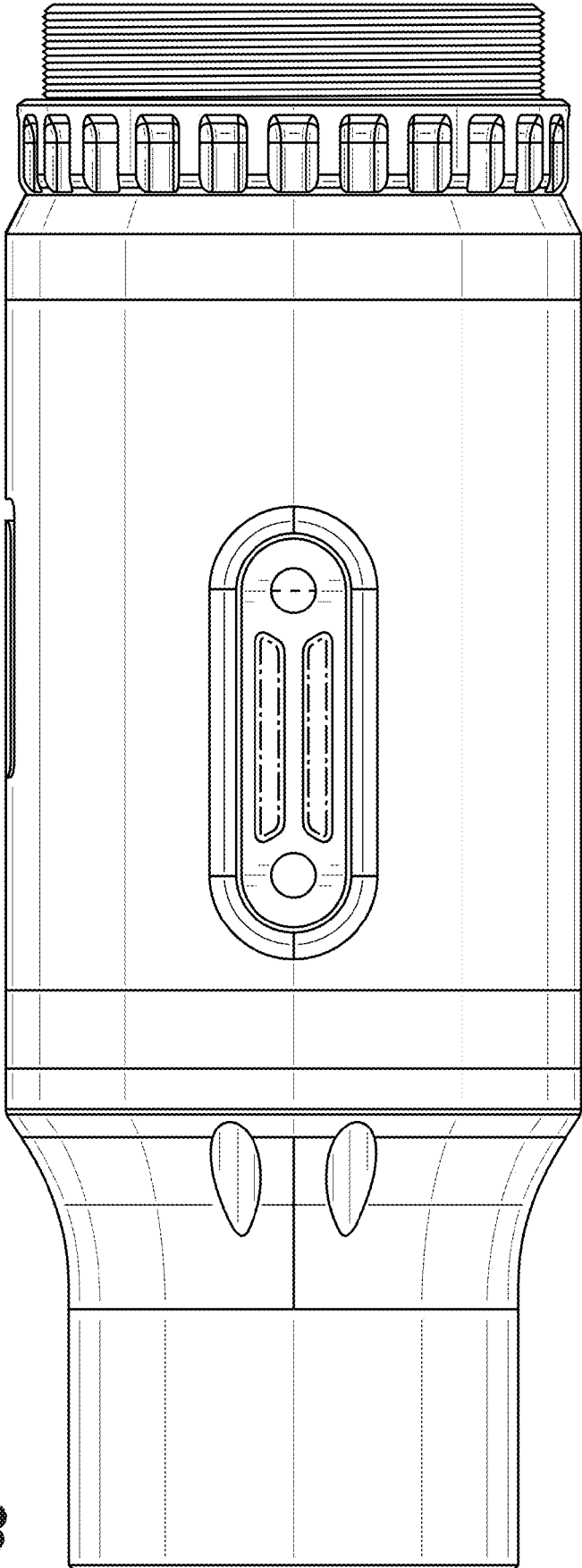


FIG. 3

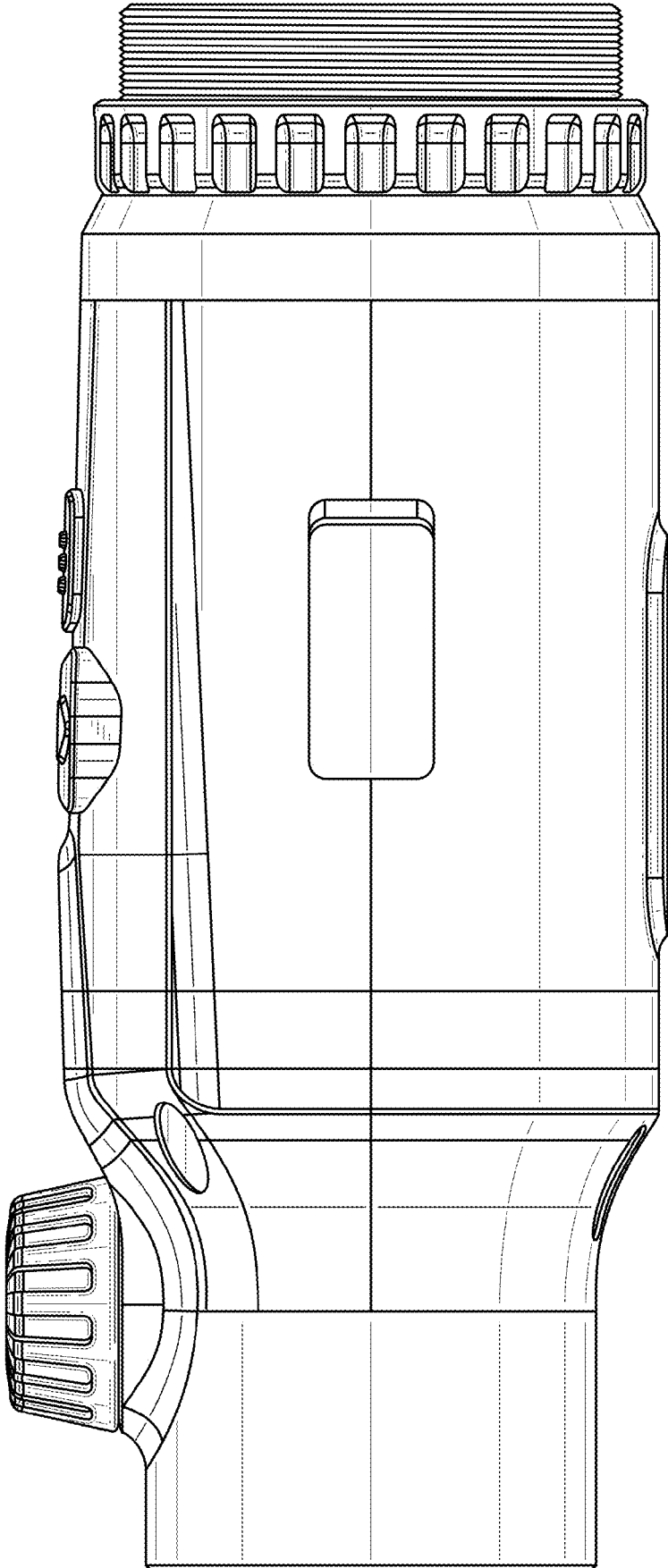


FIG. 4

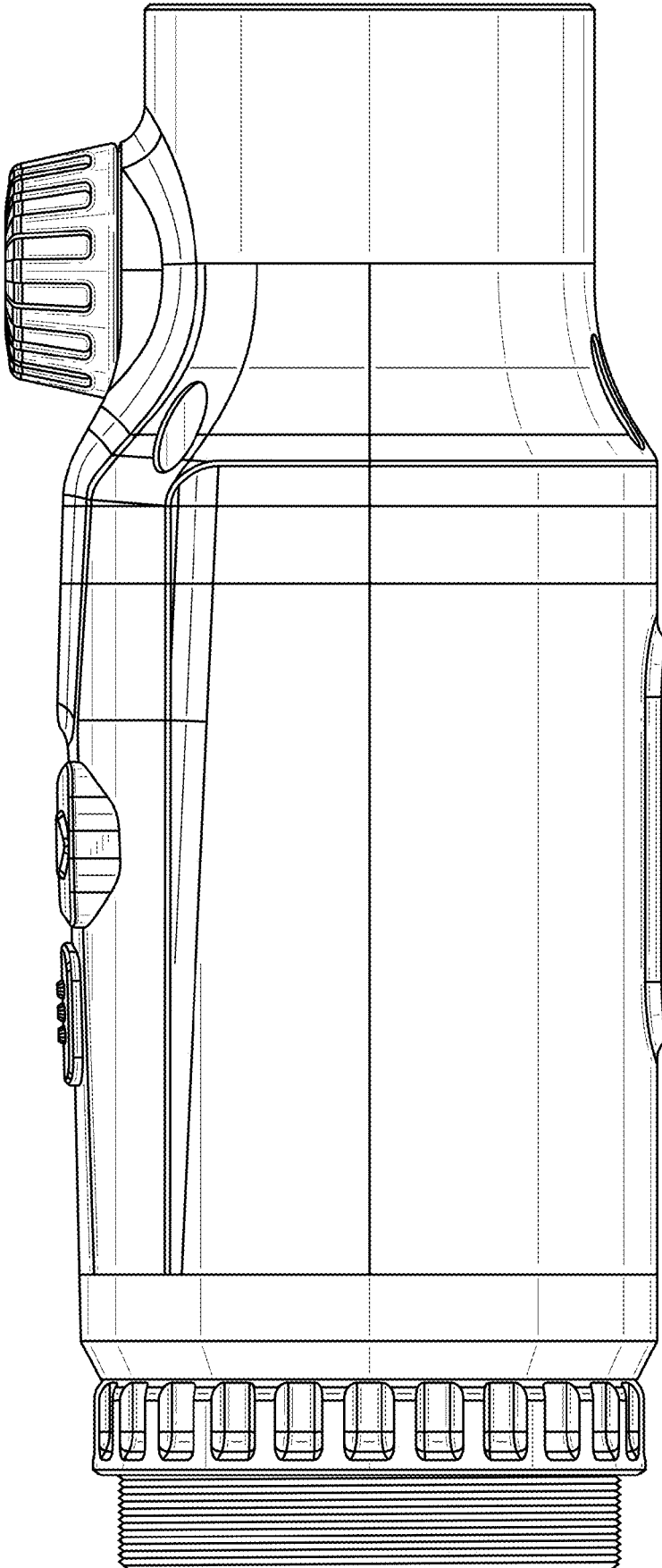


FIG. 5

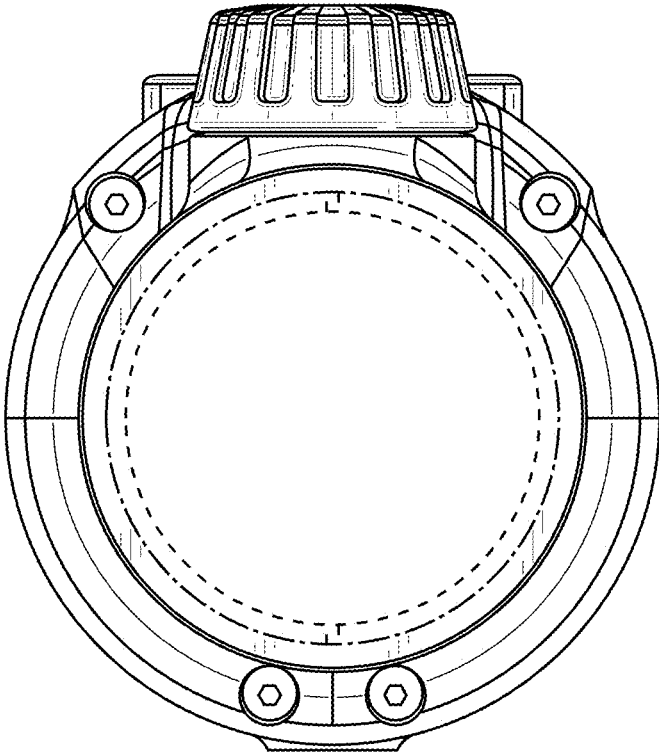


FIG. 6

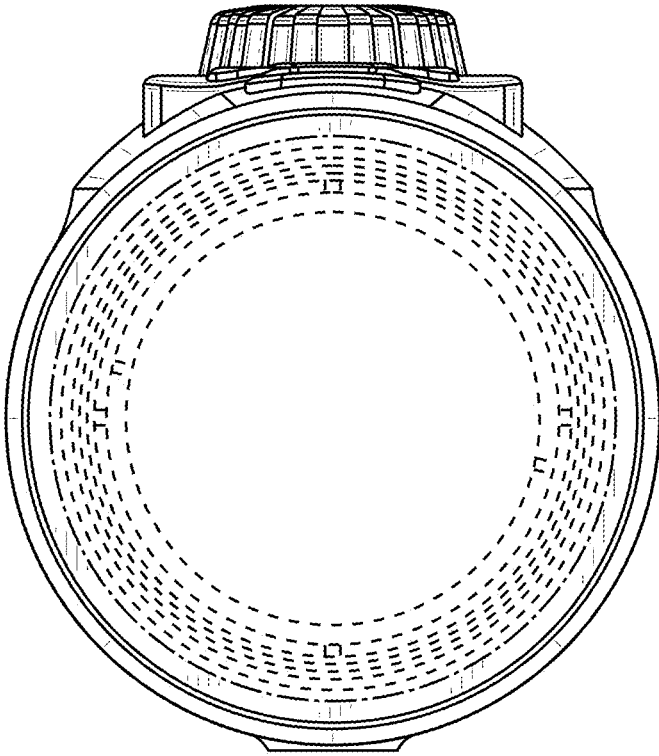


FIG. 7

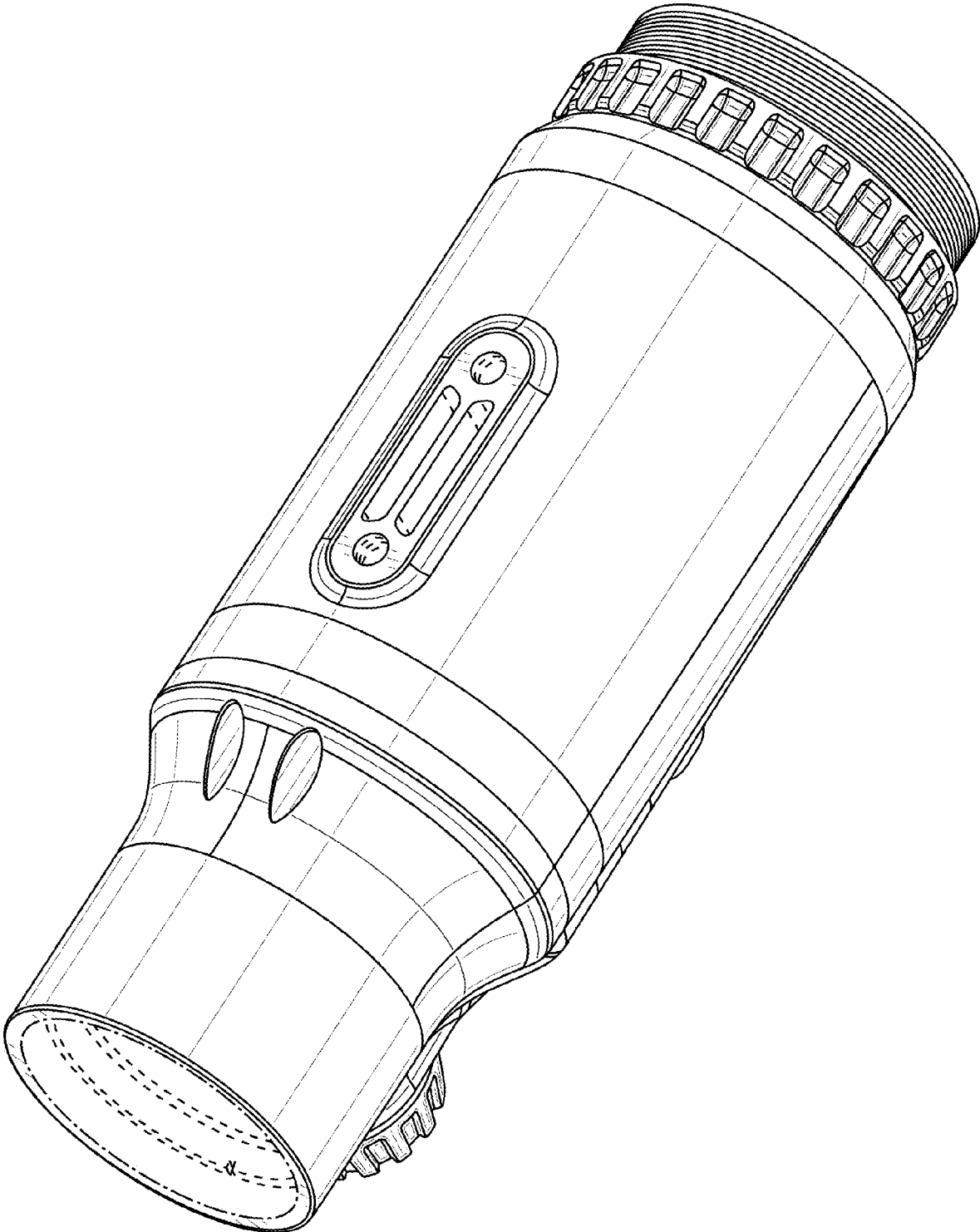


FIG. 8