

CORRECTED VERSION

(19) World Intellectual Property Organization
International Bureau



(10) International Publication Number
WO 2017/165584 A8

(43) International Publication Date
28 September 2017 (28.09.2017)

(51) International Patent Classification:

E02D 17/20 (2006.01) E02B 3/12 (2006.01)
E01F 7/02 (2006.01) B28B 1/16 (2006.01)

(21) International Application Number:

PCT/US2017/023710

(22) International Filing Date:

23 March 2017 (23.03.2017)

(25) Filing Language:

English

(26) Publication Language:

English

(30) Priority Data:

62/312,392 23 March 2016 (23.03.2016) US
62/312,979 24 March 2016 (24.03.2016) US

(72) Inventors; and

(71) Applicants: MOTZ, James, G. [US/US]; 3153 Madison Road, Cincinnati, OH 45209 (US). MOTZ, Matthew, J. [US/US]; 3153 Madison Road, Cincinnati, OH 45209 (US).

(74) Agent: LIENESCH, Theodore, D. et al.; Thompson Hine LLP, 10050 Innovation Drive, Suite 400, Dayton, OH 45342-4934 (US).

(81) Designated States (unless otherwise indicated, for every kind of national protection available):

AE, AG, AL, AM, AO, AT, AU, AZ, BA, BB, BG, BH, BN, BR, BW, BY, BZ, CA, CH, CL, CN, CO, CR, CU, CZ, DE, DJ, DK, DM, DO, DZ, EC, EE, EG, ES, FI, GB, GD, GE, GH, GM, GT, HN, HR, HU, ID, IL, IN, IR, IS, JP, KE, KG, KH, KN, KP, KR, KW, KZ, LA, LC, LK, LR, LS, LU, LY, MA, MD, ME, MG, MK, MN, MW, MX, MY, MZ, NA, NG, NI, NO, NZ, OM, PA, PE, PG, PH, PL, PT, QA, RO, RS, RU, RW, SA, SC, SD, SE, SG, SK, SL, SM, ST, SV, SY, TH, TJ, TM, TN, TR, TT, TZ, UA, UG, US, UZ, VC, VN, ZA, ZM, ZW.

(84) Designated States (unless otherwise indicated, for every kind of regional protection available):

ARIPO (BW, GH, GM, KE, LR, LS, MW, MZ, NA, RW, SD, SL, ST, SZ, TZ, UG, ZM, ZW), Eurasian (AM, AZ, BY, KG, KZ, RU, TJ, TM), European (AL, AT, BE, BG, CH, CY, CZ, DE, DK, EE, ES, FI, FR, GB, GR, HR, HU, IE, IS, IT, LT, LU, LV, MC, MK, MT, NL, NO, PL, PT, RO, RS, SE, SI, SK, SM, TR), OAPI (BF, BJ, CF, CG, CI, CM, GA, GN, GQ, GW, KM, ML, MR, NE, SN, TD, TG).

Published:

— with international search report (Art. 21(3))

(54) Title: SYSTEM AND METHOD FOR ASSEMBLING AN EROSION-PREVENTING MAT

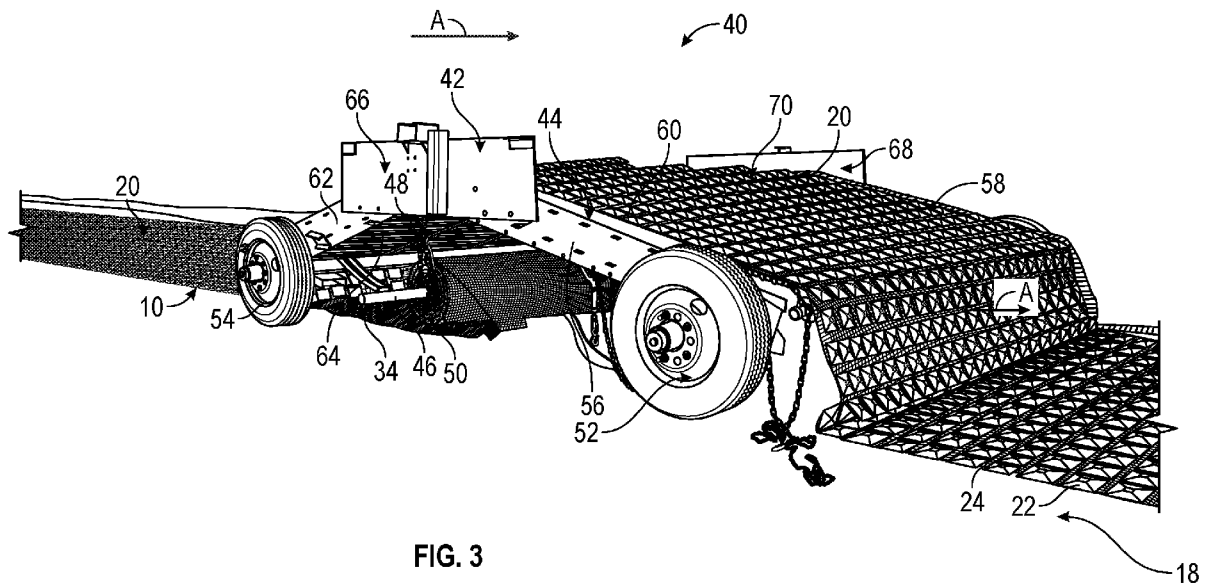


FIG. 3

(57) Abstract: A system for forming an erosion-preventing laminate mat having a layer of a first mat beneath a substantially flat, elongate sheet of tied block mat includes a movable frame having an upper surface shaped to pass beneath and support a segment of the tied block mat above the ground, the frame including a spindle suspended below the upper surface that retains a roll of the layer of the sheet material.



WO 2017/165584 A8

(48) Date of publication of this corrected version:

12 April 2018 (12.04.2018)

(15) Information about Correction:

see Notice of 12 April 2018 (12.04.2018)