



(43) International Publication Date
12 February 2009 (12.02.2009)

PCT

(10) International Publication Number
WO 2009/019655 A3

- (51) International Patent Classification:
H05B 33/08 (2006.01)
- (21) International Application Number:
PCT/IB2008/053149
- (22) International Filing Date:
6 August 2008 (06.08.2008)
- (25) Filing Language: English
- (26) Publication Language: English
- (30) Priority Data:
2596184 7 August 2007 (07.08.2007) CA
- (71) Applicant (for all designated States except US): **KONINKLIJKE PHILIPS ELECTRONICS N.V.** [NL/NL]; Groenewoudseweg 1, NL-5621 BA Eindhoven (NL).
- (72) Inventors; and
- (75) Inventors/Applicants (for US only): **ASHDOWN, Ian** [CA/CA]; c/o Philips Intellectual Property and Standards, 7700 Riverfront Gate, Burnaby, British Columbia V5J 5M4 (CA). **SALSBURY, Marc** [CA/CA]; c/o Philips Intellectual Property and Standards, 7700 Riverfront Gate, Burnaby, British Columbia V5J 5M4 (CA).

- (74) Agents: **BEKKERS, Joost, J.J.** et al.; High Tech Campus Building 44, NL-5656 AE Eindhoven (NL).
- (81) Designated States (unless otherwise indicated, for every kind of national protection available): AE, AG, AL, AM, AO, AT, AU, AZ, BA, BB, BG, BH, BR, BW, BY, BZ, CA, CH, CN, CO, CR, CU, CZ, DE, DK, DM, DO, DZ, EC, EE, EG, ES, FI, GB, GD, GE, GH, GM, GT, HN, HR, HU, ID, IL, IN, IS, JP, KE, KG, KM, KN, KP, KR, KZ, LA, LC, LK, LR, LS, LT, LU, LY, MA, MD, ME, MG, MK, MN, MW, MX, MY, MZ, NA, NG, NI, NO, NZ, OM, PG, PH, PL, PT, RO, RS, RU, SC, SD, SE, SG, SK, SL, SM, ST, SV, SY, TJ, TM, TN, TR, TT, TZ, UA, UG, US, UZ, VC, VN, ZA, ZM, ZW.
- (84) Designated States (unless otherwise indicated, for every kind of regional protection available): ARIPO (BW, GH, GM, KE, LS, MW, MZ, NA, SD, SL, SZ, TZ, UG, ZM, ZW), Eurasian (AM, AZ, BY, KG, KZ, MD, RU, TJ, TM), European (AT, BE, BG, CH, CY, CZ, DE, DK, EE, ES, FI, FR, GB, GR, HR, HU, IE, IS, IT, LT, LU, LV, MC, MT, NL, NO, PL, PT, RO, SE, SI, SK, TR), OAPI (BF, BJ, CF, CG, CI, CM, GA, GN, GQ, GW, ML, MR, NE, SN, TD, TG).

Declarations under Rule 4.17:

[Continued on next page]

(54) Title: METHOD AND APPARATUS FOR DISCRIMINATING MODULATED LIGHT IN A MIXED LIGHT SYSTEM

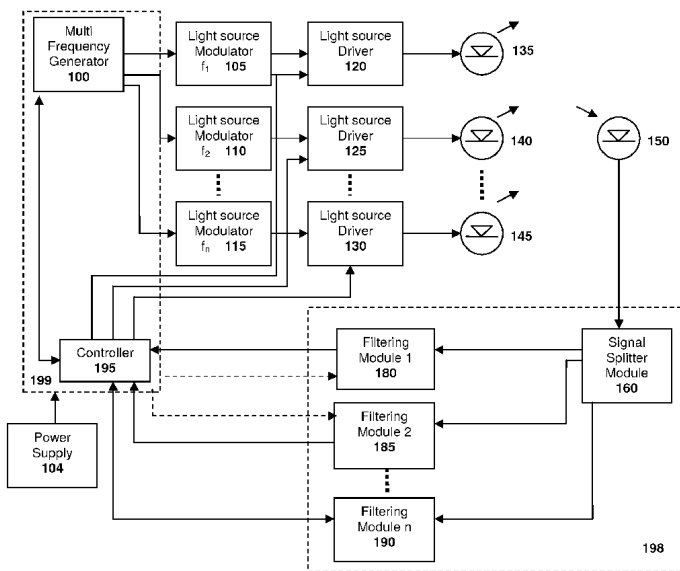


FIGURE 1

(57) Abstract: Methods and apparatus are disclosed for providing optical emission feedback control for an illumination system comprising mixed light including light from a first light source (135) and a second light source (140). Each light source is driven by a drive current configured using a control and/or modification signal associated with that light source. The control signal in turn can be configured using a modification signal associated with the light source. An optical signal indicative of the mixed light is generated, for example using an optical sensor (150), and the optical signal is processed based on a reference signal to provide measurements indicative of light from each light source, which are used for feedback control of the illumination system. The reference signals can be generated locally or based on a corresponding control or modification signal. To provide measurements for a light source, processing (198) of the optical signal can comprise mixing (235) and compensation (255) operations based on control and/or modification signals associated with that light source.



WO 2009/019655 A3



- *as to applicant's entitlement to apply for and be granted a patent (Rule 4.17(ii))*
- *as to the applicant's entitlement to claim the priority of the earlier application (Rule 4.17(iii))*
- *before the expiration of the time limit for amending the claims and to be republished in the event of receipt of amendments (Rule 48.2(h))*

(88) Date of publication of the international search report:
28 January 2010

Published:

- *with international search report (Art. 21(3))*

A. CLASSIFICATION OF SUBJECT MATTER
INV. H05B33/08

According to International Patent Classification (IPC) or to both national classification and IPC

B. FIELDS SEARCHED

 Minimum documentation searched (classification system followed by classification symbols)
H05B

Documentation searched other than minimum documentation to the extent that such documents are included in the fields searched

Electronic data base consulted during the international search (name of data base and, where practical, search terms used)

EPO-Internal, INSPEC, WPI Data
C. DOCUMENTS CONSIDERED TO BE RELEVANT

Category*	Citation of document, with indication, where appropriate, of the relevant passages	Relevant to claim No.
X	WO 2004/057923 A1 (KONINKL PHILIPS ELECTRONICS NV [NL]; ZWANENBURG MICHEL J [US]; GAINES) 8 July 2004 (2004-07-08) page 1, lines 13-22 page 3, line 32 - page 14, line 4 -----	1-27
X	EP 1 635 617 A2 (AGILENT TECHNOLOGIES INC [US] AVAGO TECH ECBU IP SG PTE LTD [SG]) 15 March 2006 (2006-03-15) paragraph [0014] paragraph [0019] paragraph [0024] - paragraph [0032] -----	1-27
A	US 6 150 774 A (MUELLER GEORGE G [US] ET AL) 21 November 2000 (2000-11-21) column 3 - column 7 -----	1-27

 Further documents are listed in the continuation of Box C.

 See patent family annex.

* Special categories of cited documents :

"A" document defining the general state of the art which is not considered to be of particular relevance

"E" earlier document but published on or after the international filing date

"L" document which may throw doubts on priority claim(s) or which is cited to establish the publication date of another citation or other special reason (as specified)

"O" document referring to an oral disclosure, use, exhibition or other means

"P" document published prior to the international filing date but later than the priority date claimed

"T" later document published after the international filing date or priority date and not in conflict with the application but cited to understand the principle or theory underlying the invention

"X" document of particular relevance; the claimed invention cannot be considered novel or cannot be considered to involve an inventive step when the document is taken alone

"Y" document of particular relevance; the claimed invention cannot be considered to involve an inventive step when the document is combined with one or more other such documents, such combination being obvious to a person skilled in the art.

"&" document member of the same patent family

Date of the actual completion of the international search

4 December 2009

Date of mailing of the international search report

11/12/2009

Name and mailing address of the ISA/

 European Patent Office, P.B. 5818 Patentlaan 2
 NL - 2280 HV Rijswijk
 Tel. (+31-70) 340-2040.
 Fax: (+31-70) 340-3016

Authorized officer

Nicolaucig, Aldo

Patent document cited in search report		Publication date	Patent family member(s)		Publication date
WO 2004057923	A1	08-07-2004	AU	2003286348 A1	14-07-2004
			CN	1729721 A	01-02-2006
			EP	1579732 A1	28-09-2005
			JP	2006511081 T	30-03-2006

EP 1635617	A2	15-03-2006	CN	1746948 A	15-03-2006
			JP	2006079099 A	23-03-2006
			KR	20060051100 A	19-05-2006
			US	2006054776 A1	16-03-2006

US 6150774	A	21-11-2000	AT	222013 T	15-08-2002
			AU	757000 B2	30-01-2003
			AU	9206098 A	16-03-1999
			CA	2302227 A1	04-03-1999
			DE	69807092 D1	12-09-2002
			DE	69807092 T2	08-05-2003
			EP	1016062 A1	05-07-2000
			ES	2182358 T3	01-03-2003
			HK	1025416 A1	01-11-2002
			JP	2001514432 T	11-09-2001
			JP	4230236 B2	25-02-2009
			JP	2004006253 A	08-01-2004
			WO	9910867 A1	04-03-1999
US	6016038 A	18-01-2000			
