

(19) World Intellectual Property Organization
International Bureau



(43) International Publication Date
29 December 2005 (29.12.2005)

PCT

(10) International Publication Number
WO 2005/123571 A3

- (51) International Patent Classification:
B67D 3/00 (2006.01)
- (21) International Application Number:
PCT/US2005/020678
- (22) International Filing Date: 13 June 2005 (13.06.2005)
- (25) Filing Language: English
- (26) Publication Language: English
- (30) Priority Data:
60/579,104 14 June 2004 (14.06.2004) US
11/149,661 10 June 2005 (10.06.2005) US
- (71) Applicants and
- (72) Inventors: PATEL, Madhukant, C. [GB/US]; 5325 Yorktown Boulevard, Arlington, VA 22207 (US). PATEL, Bharati [IN/US]; 5325 Yorktown Boulevard, Arlington, VA 22207 (US).

AT, AU, AZ, BA, BB, BG, BR, BW, BY, BZ, CA, CH, CN, CO, CR, CU, CZ, DE, DK, DM, DZ, EC, EE, EG, ES, FI, GB, GD, GE, GH, GM, HR, HU, ID, IL, IN, IS, JP, KE, KG, KM, KP, KR, KZ, LC, LK, LR, LS, LT, LU, LV, MA, MD, MG, MK, MN, MW, MX, MZ, NA, NG, NI, NO, NZ, OM, PG, PH, PL, PT, RO, RU, SC, SD, SE, SG, SK, SL, SM, SY, TJ, TM, TN, TR, TT, TZ, UA, UG, US, UZ, VC, VN, YU, ZA, ZM, ZW.

- (74) Agent: BENDER, Michael, S.; P.O.Box 530-399, St. Petersburg, FL 33747 (US).
- (81) Designated States (unless otherwise indicated, for every kind of national protection available): AE, AG, AL, AM,

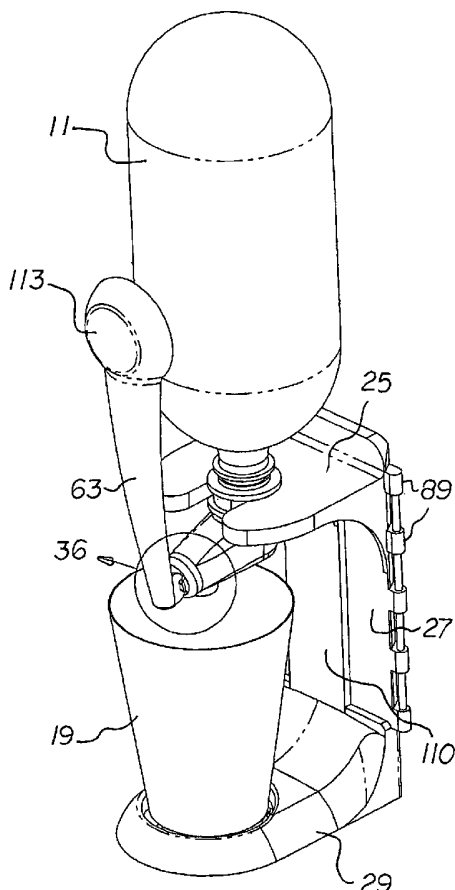
(84) Designated States (unless otherwise indicated, for every kind of regional protection available): ARIPO (BW, GH, GM, KE, LS, MW, MZ, NA, SD, SL, SZ, TZ, UG, ZM, ZW), Eurasian (AM, AZ, BY, KG, KZ, MD, RU, TJ, TM), European (AT, BE, BG, CH, CY, CZ, DE, DK, EE, ES, FI, FR, GB, GR, HU, IE, IS, IT, LT, LU, MC, NL, PL, PT, RO, SE, SI, SK, TR), OAPI (BF, BJ, CF, CG, CI, CM, GA, GN, GQ, GW, ML, MR, NE, SN, TD, TG).

Published:
— with international search report

(88) Date of publication of the international search report:
8 June 2006

[Continued on next page]

(54) Title: INVERTED BOTTLE SUPPORT AND DISPENSING APPARATUS



(57) Abstract: An inverted bottle support and dispenser apparatus is provided comprising an inverted bottle support bracket adapted to receive an inverted bottle which, in turn, has a manually-operated dispenser assembly connectable to said inverted bottle. In one preferred embodiment, the assembly includes a combination dispensing valve and vent tube unit for connecting to a bottle and includes a portion for being removably received in a top portion of the support bracket. The support bracket includes a top bracket portion for receiving the combination dispensing valve and vent tube unit, a riser bracket portion connected to the top bracket portion and descending downward therefrom, and a bottom bracket portion connectable to a bottom end of the riser bracket portion. A receiver portion for supporting a cup is defined by the bottom bracket portion.

WO 2005/123571 A3



For two-letter codes and other abbreviations, refer to the "Guidance Notes on Codes and Abbreviations" appearing at the beginning of each regular issue of the PCT Gazette.

INTERNATIONAL SEARCH REPORT

International application No.

PCT/US05/20678

A. CLASSIFICATION OF SUBJECT MATTER

IPC(7): B67D 03/00
U.S. CL: 222/181.3

According to International Patent Classification (IPC) or to both national classification and IPC

B. FIELDS SEARCHED

Minimum documentation searched (classification system followed by classification symbols)
US: 222, 222/181.1, 222/181.3
IPC: B67D003/00

Documentation searched other than minimum documentation to the extent that such documents are included in the fields searched

Electronic data base consulted during the international search (name of data base and, where practicable, search terms used)

EAST, Micropatent

C. DOCUMENTS CONSIDERED TO BE RELEVANT

Category*	Citation of document, with indication, where appropriate, of the relevant passages	Relevant to claim No.
X ---	US 4,303,109 A (COHEN DONALD P.) 01 December 1981 (01.12.1981), abstract; figures 1-4	1, 2, 4
Y		3, 5, 7, 8, 17, 18
X ---	US 5,351,861 A (JOVELLANA BARTOLOME D.) 04 October 1994 (04.10.1994), figure 1; figure 4; figure 5; column 7, lines 8-11	6, 13-15
Y		3, 5, 7-12, 16
Y	US 5,678,737 A (WHITE JONATHAN Z.) 21 October 1997 (21.10.1997), figure 2	9-12
Y	US 6,170,920 B1 (MARKLING FLOYD F) 09 January 2001 (09.01.2001), figure 1; figure 3	16
Y	US 6,109,482 A (BRIGGS TRAVIS M) 29 August 2000 (29.08.2000), figure 4; column 5, lines 19-27	17, 18

Further documents are listed in the continuation of Box C. See patent family annex.


* Special categories of cited documents:	"T" later document published after the international filing date or priority date and not in conflict with the application but cited to understand the principle or theory underlying the invention
"A" document defining the general state of the art which is not considered to be of particular relevance	"X" document of particular relevance; the claimed invention cannot be considered novel or cannot be considered to involve an inventive step when the document is taken alone
"E" earlier application or patent but published on or after the international filing date	"Y" document of particular relevance; the claimed invention cannot be considered to involve an inventive step when the document is combined with one or more other such documents, such combination being obvious to a person skilled in the art
"L" document which may throw doubts on priority claim(s) or which is cited to establish the publication date of another citation or other special reason (as specified)	"&" document member of the same patent family
"O" document referring to an oral disclosure, use, exhibition or other means	
"P" document published prior to the international filing date but later than the priority date claimed	

Date of the actual completion of the international search
31 October 2005 (31.10.2005)

Date of mailing of the international search report

22 DEC 2005

Name and mailing address of the ISA/US
Mail Stop PCT, Attn: ISA/US, Commissioner for Patents
P.O. Box 1450, Alexandria, Virginia 22313-1450
Facsimile No. 571-273-3201

Authorized officer:

Blaine R. Copenheaver
Telephone No. 571-272-7774