



US00D652361S

(12) **United States Design Patent**
Forschner

(10) **Patent No.:** **US D652,361 S**

(45) **Date of Patent:** **** Jan. 17, 2012**

(54) **WHEEL OR WHEEL COVER**

(75) Inventor: **Anne Kristina Forschner**, Munich (DE)

(73) Assignee: **Bayerische Motoren Werke Aktiengesellschaft**, Munich (DE)

(**) Term: **14 Years**

(21) Appl. No.: **29/393,766**

(22) Filed: **Jun. 9, 2011**

(30) **Foreign Application Priority Data**

Dec. 10, 2010 (DE) 402010006653

(51) **LOC (9) Cl.** **12-16**

(52) **U.S. Cl.** **D12/209**

(58) **Field of Classification Search** D12/204-213;
301/37.101, 64.101, 65, 64.201

See application file for complete search history.

(56) **References Cited**

U.S. PATENT DOCUMENTS

D325,189 S	4/1992	Kapitza	
D400,841 S *	11/1998	Sacco et al.	D12/209
D409,966 S *	5/1999	Chung	D12/209
D445,391 S *	7/2001	Chung	D12/209
D451,460 S *	12/2001	Arellano	D12/209
D454,823 S *	3/2002	McMath	D12/209
D455,701 S *	4/2002	McMath	D12/209
D455,991 S *	4/2002	Kaucher	D12/209
D460,397 S *	7/2002	Bintoro	D12/209
D581,337 S *	11/2008	Juergens et al.	D12/209

D584,209 S *	1/2009	Klimas	D12/209
D589,425 S	3/2009	Theiss	
D594,800 S	6/2009	Blasi	
D619,951 S *	7/2010	Baum	D12/209
D630,564 S	1/2011	Baum	
D631,812 S	2/2011	Juergens et al.	
D631,814 S *	2/2011	Baum	D12/209

FOREIGN PATENT DOCUMENTS

DE	M8908658.9	8/1990
EM	000825609-0002	11/2009
EM	001036552-0002	11/2009
EM	001635897-0002	10/2010
EM	001772922-0017	10/2010
EM	001714668-0002	1/2011

* cited by examiner

Primary Examiner — Stacia Cadmus

(74) *Attorney, Agent, or Firm* — Crowell & Moring LLP

(57) **CLAIM**

The ornamental design for a wheel or wheel cover, as shown and described.

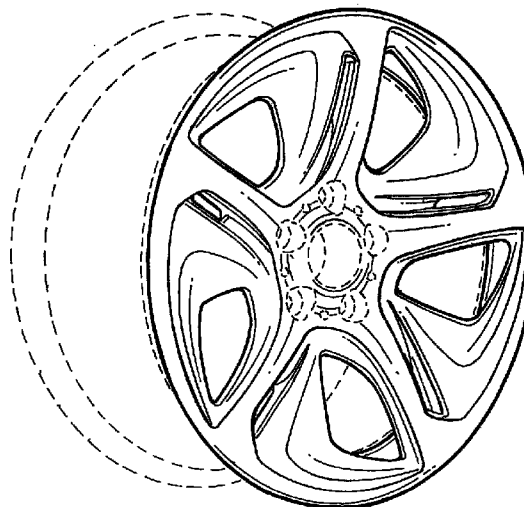
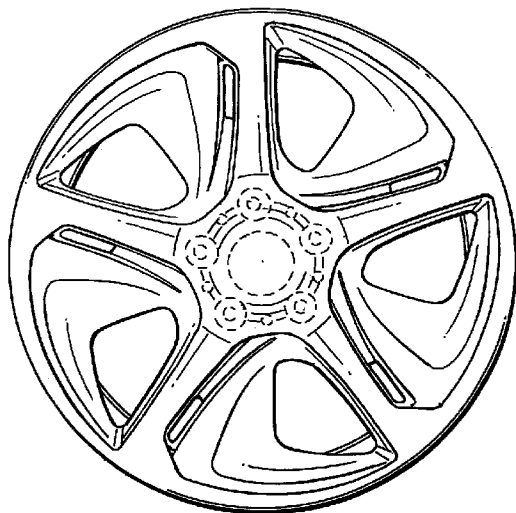
DESCRIPTION

FIG. 1 is a front view of a wheel or wheel cover according to my design; and,

FIG. 2 is a perspective view thereof.

The broken line showing of the rear of the rim, and the bolt holes and the center hole in the central hub area is included for the purpose of illustrating environment and forms no part of the claimed design.

1 Claim, 1 Drawing Sheet



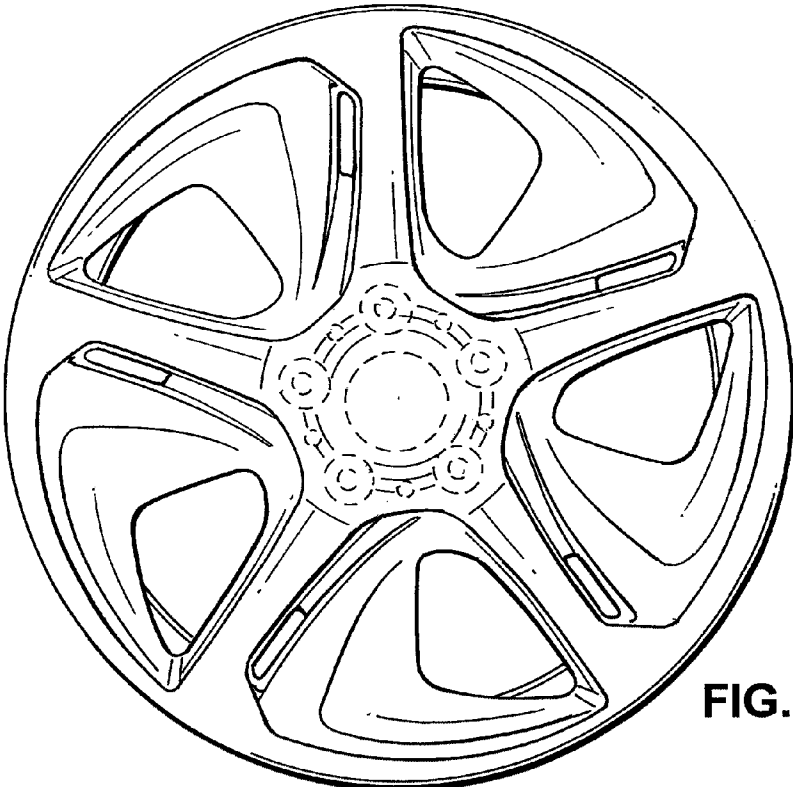


FIG. 1

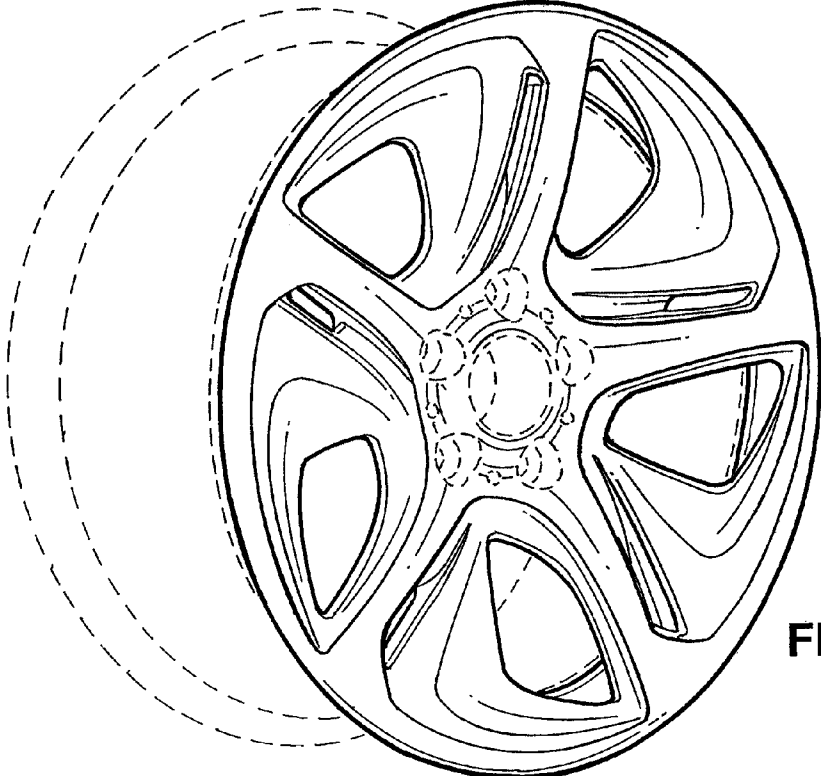


FIG. 2