



US00D752928S

(12) **United States Design Patent**
Lee et al.

(10) **Patent No.:** **US D752,928 S**
(45) **Date of Patent:** **** Apr. 5, 2016**

- (54) **OVER ARM COLANDER**
 - (71) Applicant: **Robinson Home Products Inc.**,
Williamsville, NY (US)
 - (72) Inventors: **Stuart Harvey Lee**, Forest Hills, NY
(US); **Jochen Schaepers**, New York, NY
(US); **Jenna Marie Edgemon**,
Brooklyn, NY (US)
 - (73) Assignee: **Robinson Home Products Inc.**,
Williamsville, NY (US)
 - (**) Term: **14 Years**
 - (21) Appl. No.: **29/513,005**
 - (22) Filed: **Dec. 24, 2014**
 - (51) **LOC (10) Cl.** **07-04**
 - (52) **U.S. Cl.**
USPC **D7/667**
 - (58) **Field of Classification Search**
USPC D7/667, 668, 538-549, 586, 587
CPC A47J 19/00; A47J 43/24; A47J 43/22;
A47J 47/20; A47J 47/18; A47G 19/02;
A47G 19/12; A45F 3/20
- See application file for complete search history.

- 5,505,850 A * 4/1996 Licari A47J 47/20
210/464
- 6,783,674 B2 * 8/2004 Iannizzotto B01D 29/035
210/238
- D503,313 S * 3/2005 Shamoan D7/667
- D514,764 S * 2/2006 Kumagai D32/55
- D665,234 S * 8/2012 Bagley D7/667
- D691,426 S * 10/2013 Brown D7/667
- 2012/0285879 A1 * 11/2012 Housley A47J 43/24
210/249

* cited by examiner

Primary Examiner — Terry Wallace
(74) *Attorney, Agent, or Firm* — Florek & Endres PLLC

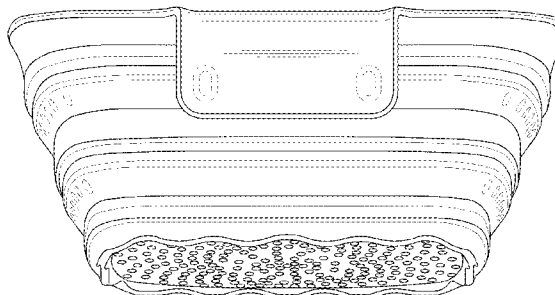
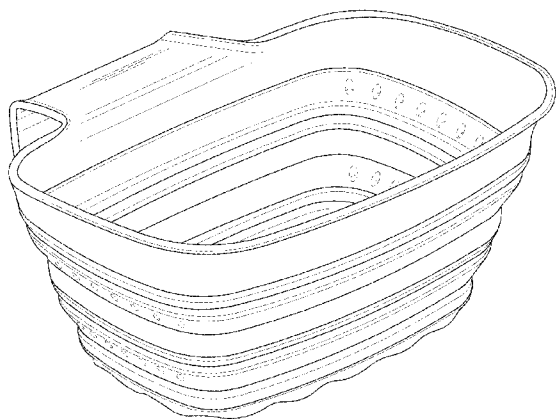
(57) **CLAIM**
The ornamental design for an over arm colander, as shown and described.

DESCRIPTION

FIG. 1 is a perspective view of the over arm colander of the present invention in its open configuration.
FIG. 2 is a left side elevation of the over arm colander of FIG. 1.
FIG. 3 is a right side elevation of the over arm colander of FIG. 1.
FIG. 4 is a front elevation of the over arm colander of FIG. 1.
FIG. 5 is a rear elevation of the over arm colander of FIG. 1.
FIG. 6 is a top plan view of the over arm colander of FIG. 1; and,
FIG. 7 is a bottom plan view of the over arm colander of FIG. 1.
The broken lines in the drawings represent unclaimed features.

1 Claim, 7 Drawing Sheets

- (56) **References Cited**
U.S. PATENT DOCUMENTS
- D259,535 S * 6/1981 Daenen D7/667
- D346,725 S * 5/1994 Kolada D7/667
- D361,477 S * 8/1995 Licari D7/667



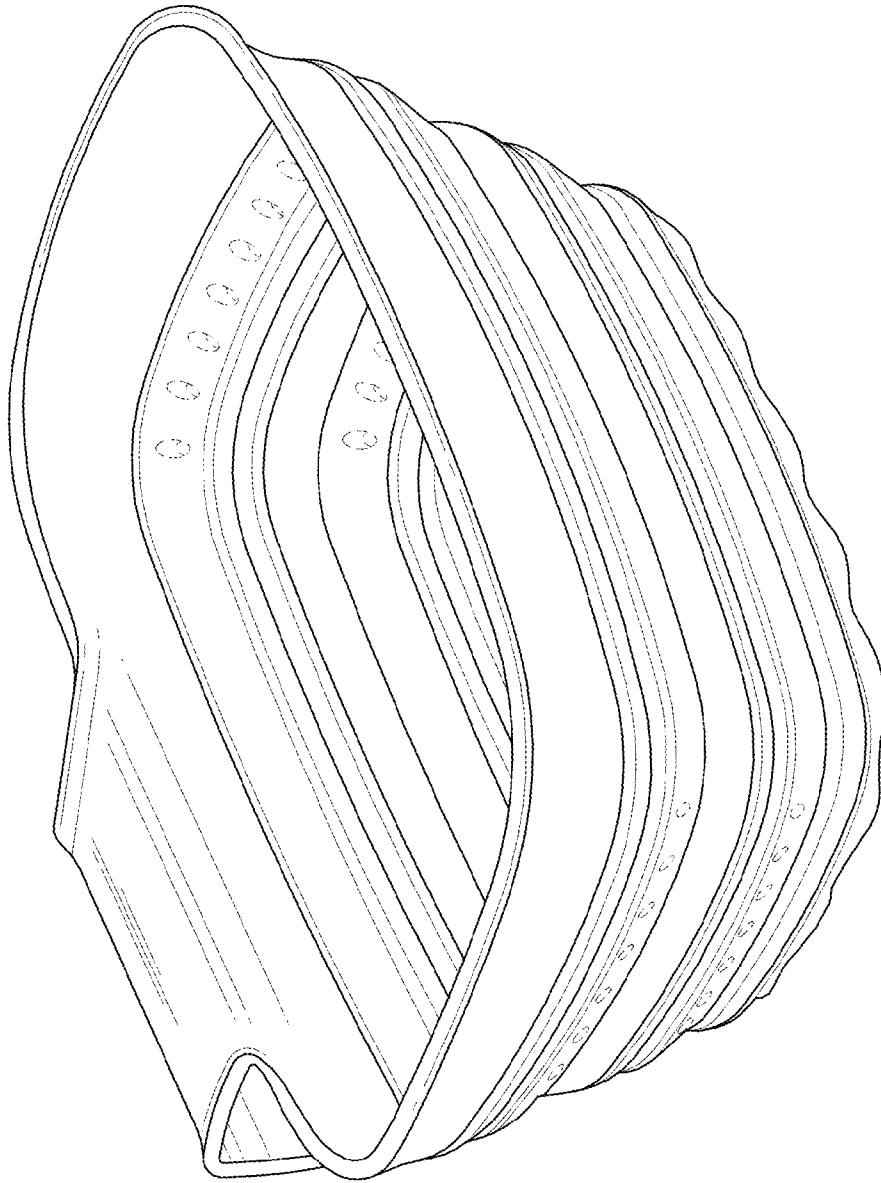


FIG. 1

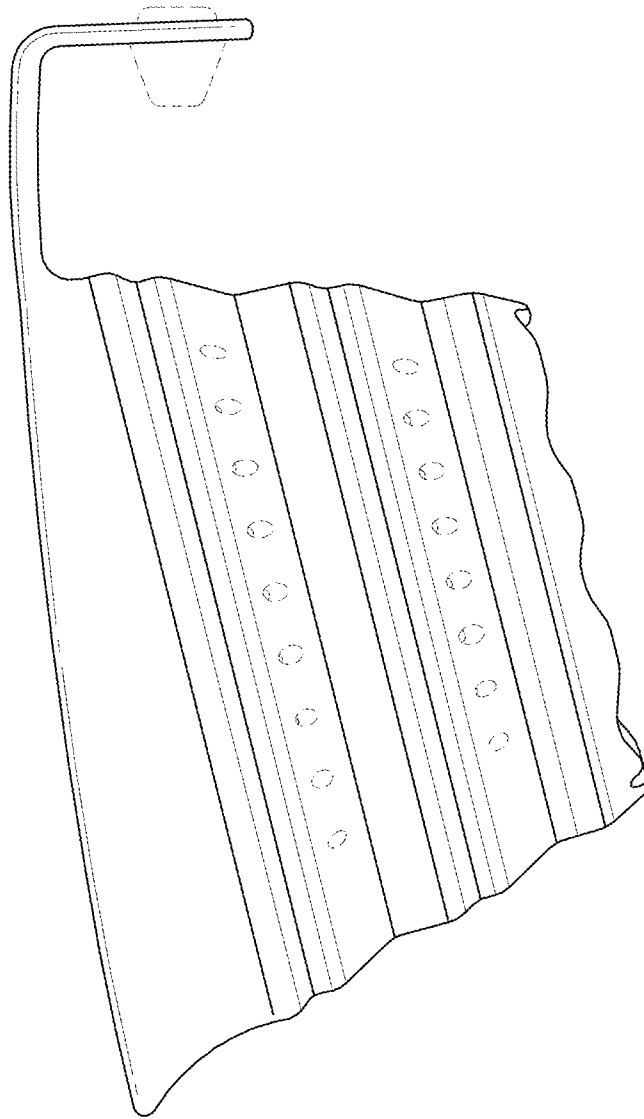


FIG. 2

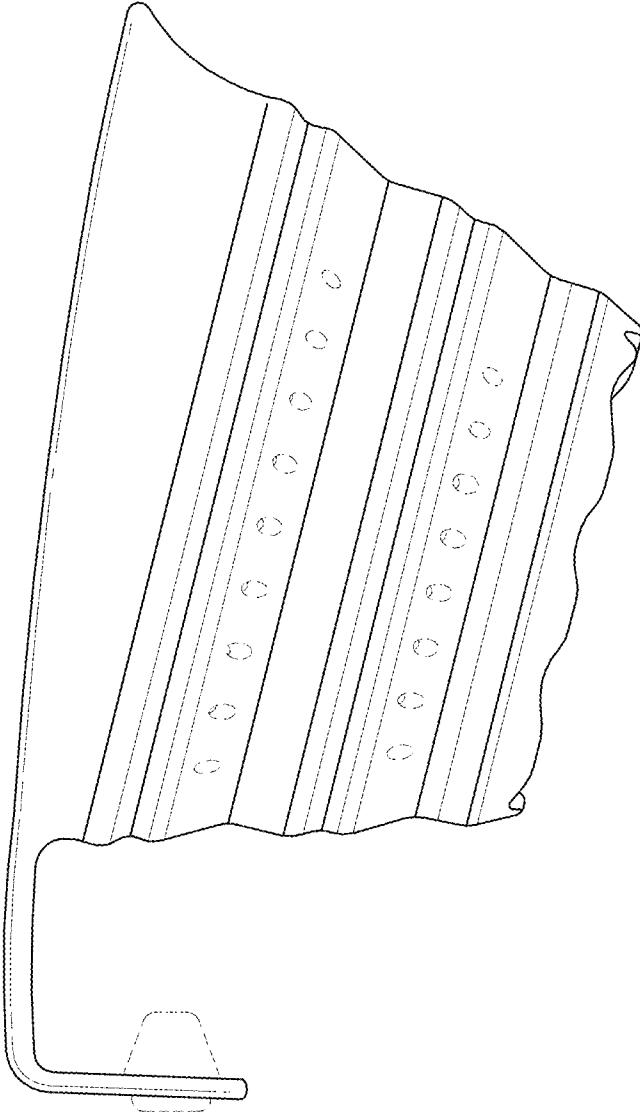


FIG. 3

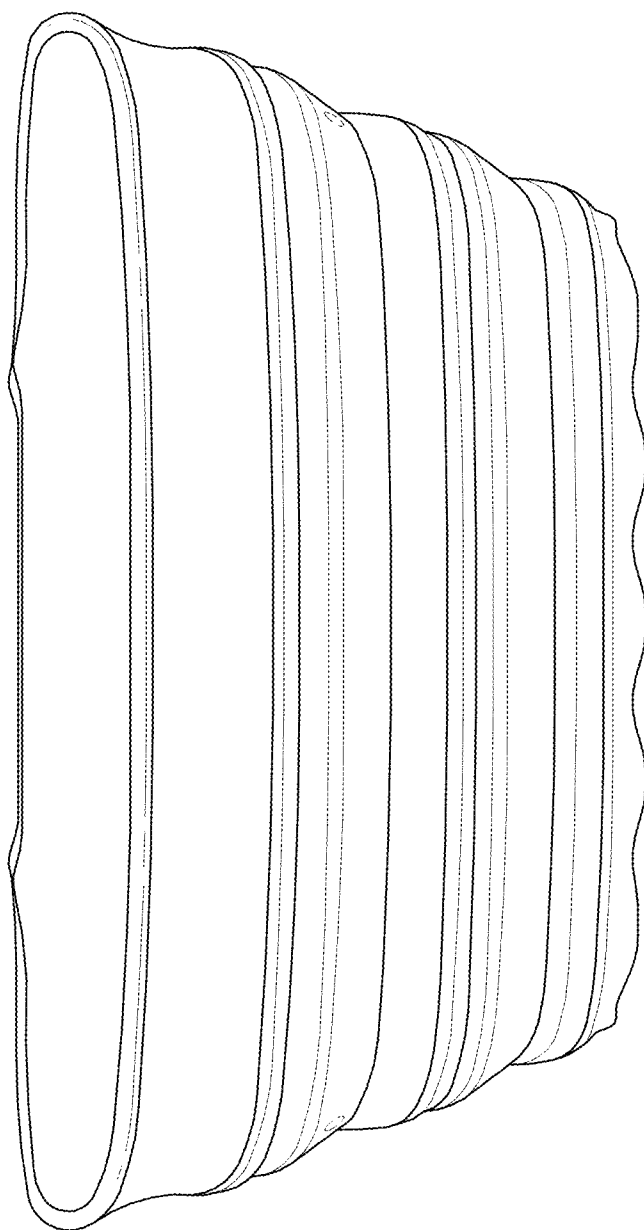


FIG. 4

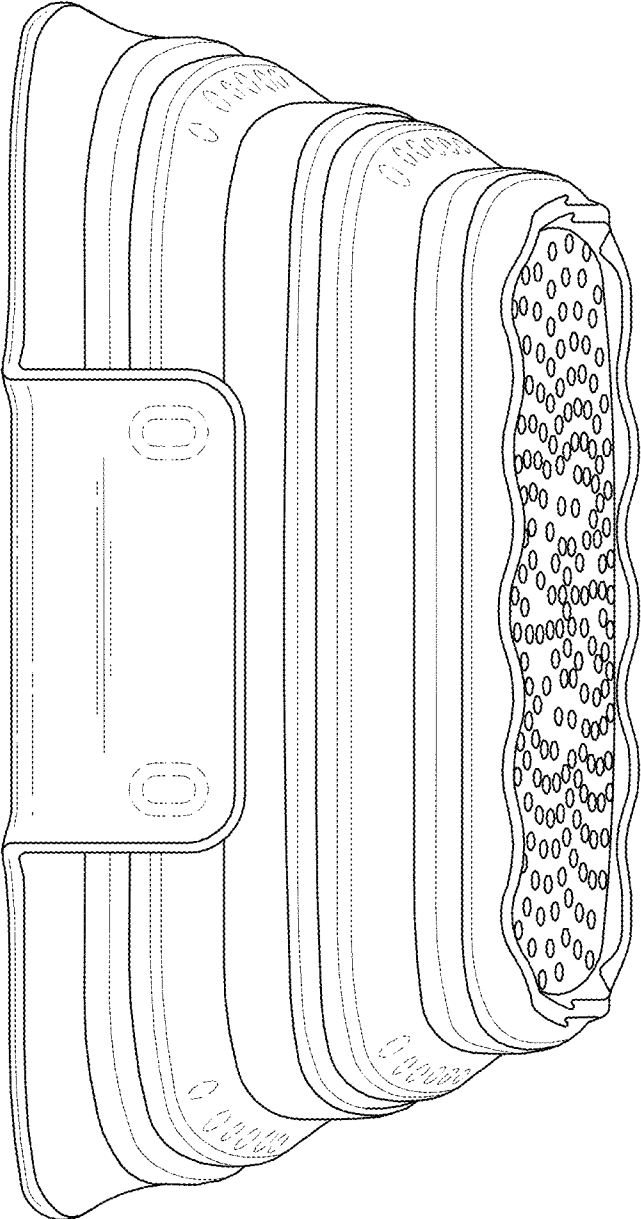


FIG. 5

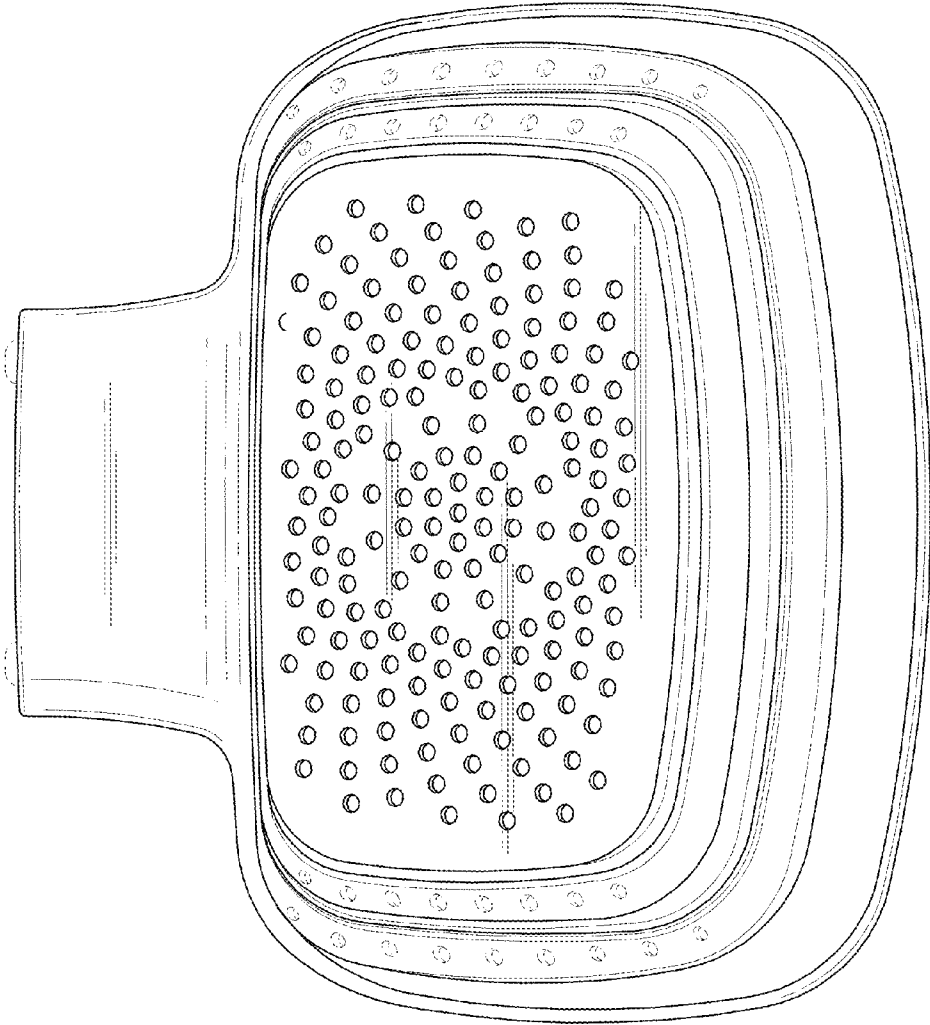


FIG. 6

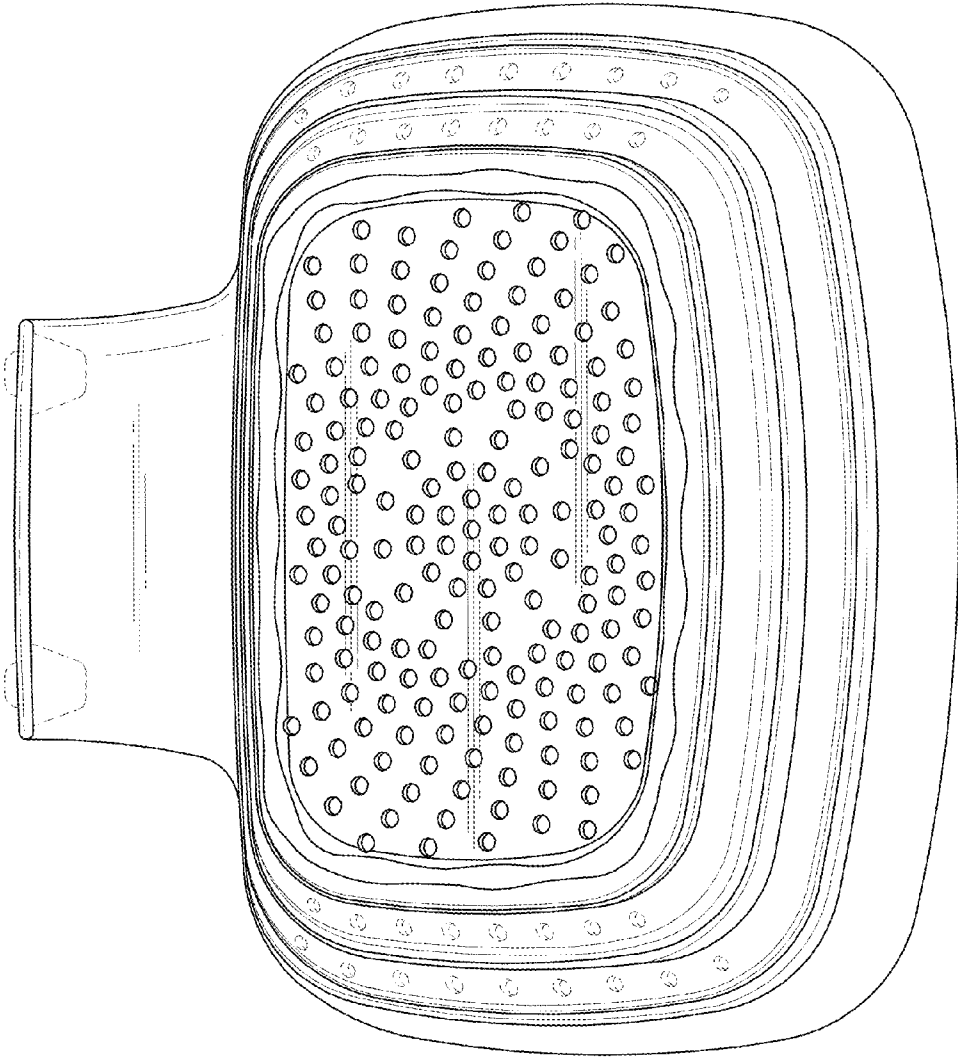


FIG. 7