

(19) World Intellectual Property Organization
International Bureau



(43) International Publication Date
14 December 2006 (14.12.2006)

PCT

(10) International Publication Number
WO 2006/133239 A3

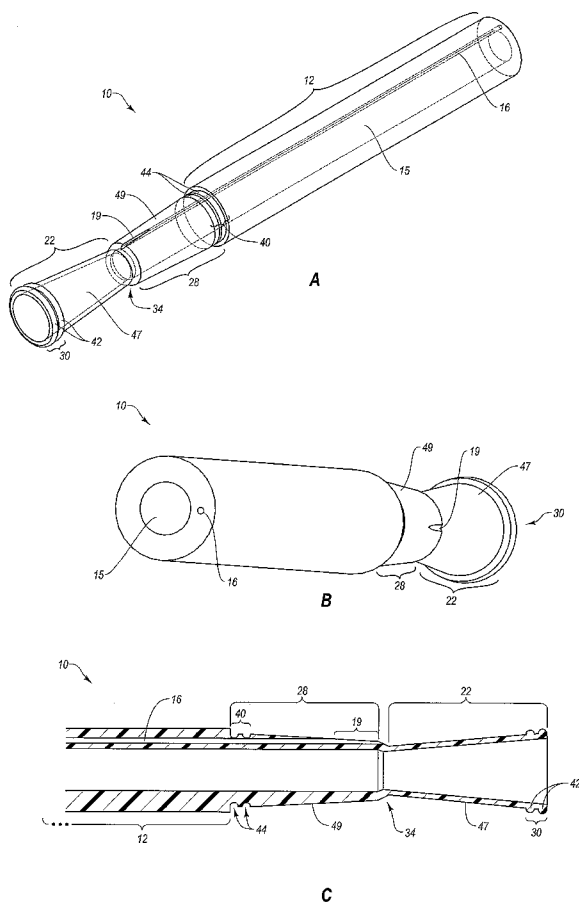
- (51) International Patent Classification:
A61J 15/00 (2006.01) A61M 25/10 (2006.01)
- (21) International Application Number:
PCT/US2006/022020
- (22) International Filing Date: 6 June 2006 (06.06.2006)
- (25) Filing Language: English
- (26) Publication Language: English
- (30) Priority Data:
60/687,703 6 June 2005 (06.06.2005) US
- (71) Applicant (for all designated States except US): **C.R. BARD, INC.** [US/US]; 730 Central Avenue, Murray Hill, NJ 07974 (US).
- (72) Inventors: **BURNSIDE, Eddie, K.**; 3842 N. 4000 West, Morgan, UT 84050 (US). **HAMATAKE, Bret**; 297 West Clark Street, Grantsville, UT 84029 (US).
- (74) Agent: **LEE, Jonathan, R.**; HOLLAND & HART LLP, 60 East South Temple, Suite 2000, Salt Lake City, UT 84111 (US).

- (81) Designated States (unless otherwise indicated, for every kind of national protection available): AE, AG, AL, AM, AT, AU, AZ, BA, BB, BG, BR, BW, BY, BZ, CA, CH, CN, CO, CR, CU, CZ, DE, DK, DM, DZ, EC, EE, EG, ES, FI, GB, GD, GE, GH, GM, HR, HU, ID, IL, IN, IS, JP, KE, KG, KM, KN, KP, KR, KZ, LC, LK, LR, LS, LT, LU, LV, LY, MA, MD, MG, MK, MN, MW, MX, MZ, NA, NG, NI, NO, NZ, OM, PG, PH, PL, PT, RO, RU, SC, SD, SE, SG, SK, SL, SM, SY, TJ, TM, TN, TR, TT, TZ, UA, UG, US, UZ, VC, VN, YU, ZA, ZM, ZW.
- (84) Designated States (unless otherwise indicated, for every kind of regional protection available): ARIPO (BW, GH, GM, KE, LS, MW, MZ, NA, SD, SL, SZ, TZ, UG, ZM, ZW), Eurasian (AM, AZ, BY, KG, KZ, MD, RU, TJ, TM), European (AT, BE, BG, CH, CY, CZ, DE, DK, EE, ES, FI, FR, GB, GR, HU, IE, IS, IT, LT, LU, LV, MC, NL, PL, PT, RO, SE, SI, SK, TR), OAPI (BF, BJ, CF, CG, CI, CM, GA, GN, GQ, GW, ML, MR, NE, SN, TD, TG).

Published:
— with international search report

[Continued on next page]

(54) Title: FEEDING DEVICE INCLUDING BALLOON TIP AND METHOD OF MANUFACTURE



(57) Abstract: A feeding tube device for delivering a substance into a stomach of a patient is disclosed, comprising a feeding tube, an overlapping segment integrally formed with and extending from the distal end of the feeding tube, and an inflation lumen defined within the feeding tube. The overlapping segment may be configured to surround at least a portion of the distal end of the feeding tube to form a balloon structure in communication with the inflation lumen. The overlapping segment may also be sealed against at least a portion of the distal end of the feeding tube device. A second overlapping segment may also be integrally formed with and extend from the proximate end of the feeding tube, with the second overlapping segment configured to surround at least a portion of the proximate end of the feeding tube to form a second balloon structure. A corresponding method of manufacturing is also disclosed.

WO 2006/133239 A3



-
- (88) **Date of publication of the international search report:** 19 April 2007 *For two-letter codes and other abbreviations, refer to the "Guidance Notes on Codes and Abbreviations" appearing at the beginning of each regular issue of the PCT Gazette.*
- (15) **Information about Correction:**
Previous Correction:
see PCT Gazette No. 04/2007 of 25 January 2007

INTERNATIONAL SEARCH REPORT

International application No
PCT/US2006/022020

A. CLASSIFICATION OF SUBJECT MATTER INV. A61J15/00 ADD. A61M25/10		
According to International Patent Classification (IPC) or to both national classification and IPC		
B. FIELDS SEARCHED		
Minimum documentation searched (classification system followed by classification symbols) A61J A61M		
Documentation searched other than minimum documentation to the extent that such documents are included in the fields searched		
Electronic data base consulted during the international search (name of data base and, where practical, search terms used) EPO-Internal		
C. DOCUMENTS CONSIDERED TO BE RELEVANT		
Category*	Citation of document, with indication, where appropriate, of the relevant passages	Relevant to claim No.
X	WO 02/087492 A (NUTRICIA HEALTHCARE S A [CH]; KLIEM MICHAEL [DE]; WOLKENSTOERFER REINH) 7 November 2002 (2002-11-07) page 8, line 6 - page 12, line 2 figures 1-3,5,6	1-16
X	US 2004/103518 A1 (TRIEBES THOMAS GREGORY [US] ET AL TRIEBES THOMAS GREGORY [US] ET AL) 3 June 2004 (2004-06-03) paragraph [0045] - paragraph [0051] figures 4-6,6A	1,2,4,5, 8-14,16
X	US 5 234 454 A (BANGS ROGER G [US]) 10 August 1993 (1993-08-10) column 4, line 35 - line 61 figures 2,8,9	1,6,8-12
----- -/--		
<input checked="" type="checkbox"/> Further documents are listed in the continuation of Box C.		
<input checked="" type="checkbox"/> See patent family annex.		
* Special categories of cited documents :		
A document defining the general state of the art which is not considered to be of particular relevance	*T* later document published after the international filing date or priority date and not in conflict with the application but cited to understand the principle or theory underlying the invention	
E earlier document but published on or after the international filing date	*X* document of particular relevance; the claimed invention cannot be considered novel or cannot be considered to involve an inventive step when the document is taken alone	
L document which may throw doubts on priority claim(s) or which is cited to establish the publication date of another citation or other special reason (as specified)	*Y* document of particular relevance; the claimed invention cannot be considered to involve an inventive step when the document is combined with one or more other such documents, such combination being obvious to a person skilled in the art.	
O document referring to an oral disclosure, use, exhibition or other means	*&* document member of the same patent family	
P document published prior to the international filing date but later than the priority date claimed		
Date of the actual completion of the international search 11 January 2007	Date of mailing of the international search report 25/01/2007	
Name and mailing address of the ISA/ European Patent Office, P.B. 5818 Patentlaan 2 NL - 2280 HV Rijswijk Tel. (+31-70) 340-2040, Tx. 31 651 epo nl, Fax: (+31-70) 340-3016	Authorized officer Schiffmann, Rudolf	

INTERNATIONAL SEARCH REPORT

International application No
PCT/US2006/022020

C(Continuation). DOCUMENTS CONSIDERED TO BE RELEVANT

Category*	Citation of document, with indication, where appropriate, of the relevant passages	Relevant to claim No.
A	US 3 915 171 A (SHERMETA DENNIS WILLIAM) 28 October 1975 (1975-10-28) column 3, line 21 - line 46 column 4, line 23 - line 34 figures 1,2,6 -----	6

INTERNATIONAL SEARCH REPORT

Information on patent family members

International application No

PCT/US2006/022020

Patent document cited in search report	Publication date	Patent family member(s)	Publication date
WO 02087492	A	07-11-2002	CA 2445862 A1 07-11-2002
			EP 1383459 A1 28-01-2004
			US 2004147874 A1 29-07-2004
US 2004103518	A1	03-06-2004	AU 2003284198 A1 23-06-2004
			MX PA05005648 A 18-10-2005
			WO 2004050157 A1 17-06-2004
US 5234454	A	10-08-1993	NONE
US 3915171	A	28-10-1975	NONE