

(19) World Intellectual Property Organization  
International Bureau



(43) International Publication Date  
27 March 2008 (27.03.2008)

PCT

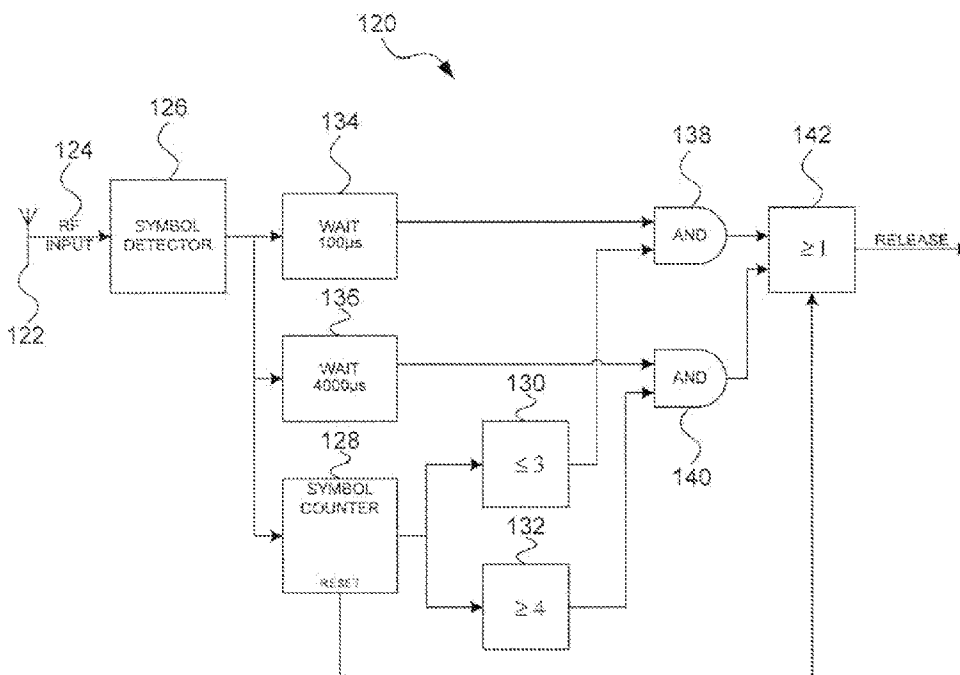
(10) International Publication Number  
**WO 2008/035263 A3**

- (51) International Patent Classification:  
*G06K 7/00* (2006.01)      *G06K 19/07* (2006.01)
- (21) International Application Number:  
PCT/IB2007/053726
- (22) International Filing Date:  
15 September 2007 (15.09.2007)
- (25) Filing Language: English
- (26) Publication Language: English
- (30) Priority Data:  
2006/07917      21 September 2006 (21.09.2006)      ZA
- (71) Applicants (for all designated States except US): **IPICO SOUTH AFRICA (PROPRIETARY) LIMITED** [ZA/ZA]; Building 43C, CSIR Campus, Meiring Naude, Road, Brummeria, 0184 Pretoria (ZA). **EM MICRO-ELECTRONIC-MARIN SA** [CH/CH]; Rue des Sors 3, Marin, CH-2074 Switzerland (CH).
- (72) Inventors; and
- (75) Inventors/Applicants (for US only): **VAN EEDEN, Hendrik, Lodewyk** [ZA/ZA]; 607 Sean Street, Moreletapark, 0181 Pretoria (ZA). **PRETORIUS, Albertus, Jacobus** [ZA/ZA]; 225 Irene Glen, Kungwini, 1020 Bronkhorstspuit (ZA). **PREISHUBER-PFLUEGL,**

- Josef** [AT/AT]; Schmelzhuettenstrasse 49, Klagenfurt, A-9020 Austria (AT). **SCHUHAI, Andreas** [AT/AT]; 10 Oktoberstrasse 76, Poertschach, A-9210 Austria (AT). **ROZ, Thierry** [CH/CH]; Bois-Soleil 4, Les Hauts-Genèveys, CH-2208 Switzerland (CH).
- (74) Agents: **VAN DER WALT, Louis, Stephanus** et al.; Adams & Adams, Adams & Adams Place, 1140 Prospect Street, Hatfield, PO Box 1014, 0001 Pretoria (ZA).
- (81) Designated States (unless otherwise indicated, for every kind of national protection available): AE, AG, AL, AM, AT, AU, AZ, BA, BB, BG, BH, BR, BW, BY, BZ, CA, CH, CN, CO, CR, CU, CZ, DE, DK, DM, DO, DZ, EC, EE, EG, ES, FI, GB, GD, GE, GH, GM, GT, HN, HR, HU, ID, IL, IN, IS, JP, KE, KG, KM, KN, KP, KR, KZ, LA, LC, LK, LR, LS, LT, LU, LY, MA, MD, ME, MG, MK, MN, MW, MX, MY, MZ, NA, NG, NI, NO, NZ, OM, PG, PH, PL, PT, RO, RS, RU, SC, SD, SE, SG, SK, SL, SM, SV, SY, TJ, TM, TN, TR, TT, TZ, UA, UG, US, UZ, VC, VN, ZA, ZM, ZW.
- (84) Designated States (unless otherwise indicated, for every kind of regional protection available): ARIPO (BW, GH, GM, KE, LS, MW, MZ, NA, SD, SL, SZ, TZ, UG, ZM, ZW), Eurasian (AM, AZ, BY, KG, KZ, MD, RU, TJ, TM),

[Continued on next page]

(54) Title: RFID TAG



(57) Abstract: An electronic tag is configured to be responsive to a TTO or TTF protocol energising signal from a reader, but to suspend transmission when receiving an RTF protocol communication signal from a reader. The tag typically includes a protocol detector 120 which is operable to detect receipt of an RTF protocol communication signal and to suspend transmission when the electronic tag receives an RTF protocol communication signal from a reader.

WO 2008/035263 A3



European (AT, BE, BG, CH, CY, CZ, DE, DK, EE, ES, FI, FR, GB, GR, HU, IE, IS, IT, LT, LU, LV, MC, MT, NL, PL, PT, RO, SE, SI, SK, TR), OAPI (BF, BJ, CF, CG, CI, CM, GA, GN, GQ, GW, ML, MR, NE, SN, TD, TG).

— *of inventorship (Rule 4.17(iv))*

**Published:**

— *with international search report*

**Declarations under Rule 4.17:**

— *as to applicant's entitlement to apply for and be granted a patent (Rule 4.17(ii))*

**(88) Date of publication of the international search report:**

3 July 2008

## INTERNATIONAL SEARCH REPORT

International application No

PCT/IB2007/053726

A. CLASSIFICATION OF SUBJECT MATTER  
 INV. G06K7/00 G06K19/07

According to International Patent Classification (IPC) or to both national classification and IPC

## B. FIELDS SEARCHED

Minimum documentation searched (classification system followed by classification symbols)

G06K H04B H04L

Documentation searched other than minimum documentation to the extent that such documents are included in the fields searched

Electronic data base consulted during the international search (name of data base and, where practical, search terms used)

EPO-Internal

## C. DOCUMENTS CONSIDERED TO BE RELEVANT

| Category* | Citation of document, with indication, where appropriate, of the relevant passages  | Relevant to claim No. |
|-----------|---|-----------------------|
| X         | US 2006/007049 A1 (NITZAN ZVI [IL] ET AL)<br>12 January 2006 (2006-01-12)<br>paragraphs [0009], [0023], [0041],<br>[0042], [0190], [0199]                                 | 1-15                  |
| P, X      | WO 2007/096797 A (IPICO INNOVATION INC<br>[CA]; VAN EEDEN HENDRIK LODEWYK [ZA])<br>30 August 2007 (2007-08-30)<br>abstract<br>page 3, line 5 - page 4, line 19            | 1-15                  |
| A         | WO 2004/063971 A (KONINKL PHILIPS<br>ELECTRONICS NV [NL]; BREITFUSS KLEMENS<br>[AT]; KUNKAT HO) 29 July 2004 (2004-07-29)<br>abstract<br>page 2, line 4 - page 4, line 14 | 1, 14                 |



Further documents are listed in the continuation of Box C.



See patent family annex.

\* Special categories of cited documents:

\*A\* document defining the general state of the art which is not considered to be of particular relevance

\*E\* earlier document but published on or after the international filing date

\*L\* document which may throw doubts on priority claim(s) or which is cited to establish the publication date of another citation or other special reason (as specified)

\*O\* document referring to an oral disclosure, use, exhibition or other means

\*P\* document published prior to the international filing date but later than the priority date claimed

\*T\* later document published after the international filing date or priority date and not in conflict with the application but cited to understand the principle or theory underlying the invention

\*X\* document of particular relevance: the claimed invention cannot be considered novel or cannot be considered to involve an inventive step when the document is taken alone

\*Y\* document of particular relevance: the claimed invention cannot be considered to involve an inventive step when the document is combined with one or more other such documents, such combination being obvious to a person skilled in the art

\* & \* document member of the same patent family

Date of the actual completion of the international search

19 March 2008

Date of mailing of the international search report

08/04/2008

Name and mailing address of the ISA/

European Patent Office, P.B. 5818 Patentlaan 2  
 NL - 2280 HV Rijswijk  
 Tel. (+31-70) 340-2040, Tx. 31 651 epo nl,  
 Fax. (+31-70) 340-3016

Authorized officer

Palukova, Mila

# INTERNATIONAL SEARCH REPORT

Information on patent family members

International application No

PCT/IB2007/053726

| Patent document cited in search report | Publication date | Patent family member(s) | Publication date            |
|--|------------------|-------------------------|-----------------------------|
| US 2006007049                          | A1               | 12-01-2006              | NONE                        |
| WO 2007096797                          | A                | 30-08-2007              | NONE                        |
| WO 2004063971                          | A                | 29-07-2004              | AU 2003285723 A1 10-08-2004 |
|  |                  | CN 1735893 A            | 15-02-2006                  |
|  |                  | JP 2006513624 T         | 20-04-2006                  |
|  |                  | US 2006119470 A1        | 08-06-2006                  |