



- (51) International Patent Classification: A63B 69/32 (2006.01)
- (21) International Application Number: PCT/US2011/045220
- (22) International Filing Date: 25 July 2011 (25.07.2011)
- (25) Filing Language: English
- (26) Publication Language: English
- (30) Priority Data: 61/401,819 19 August 2010 (19.08.2010) US
12/917,199 1 November 2010 (01.11.2010) US
- (71) Applicant (for all designated States except US): NEXER-SYS CORPORATION [US/US]; 500 San Marcos, Suite 201, Austin, Texas 78702 (US).
- (72) Inventors: JONES, Terry G.; 500 San Marcos, Suite 201, Austin, Texas 78702 (US). SHAH, Redza; 2900 S. Congress Ave., Ste. 107, Austin, Texas 78704 (US).
- (74) Agent: LANGLEY, JR, H. Dale; 610 West Lynn, Austin, Texas 78703 (US).
- (81) Designated States (unless otherwise indicated, for every kind of national protection available): AE, AG, AL, AM, AO, AT, AU, AZ, BA, BB, BG, BH, BR, BW, BY, BZ, CA, CH, CL, CN, CO, CR, CU, CZ, DE, DK, DM, DO, DZ, EC, EE, EG, ES, FI, GB, GD, GE, GH, GM, GT, HN, HR, HU, ID, IL, IN, IS, JP, KE, KG, KM, KN, KP, KR, KZ, LA, LC, LK, LR, LS, LT, LU, LY, MA, MD, ME, MG, MK, MN, MW, MX, MY, MZ, NA, NG, NI, NO, NZ, OM, PE, PG, PH, PL, PT, RO, RS, RU, SC, SD, SE, SG, SK, SL, SM, ST, SV, SY, TH, TJ, TM, TN, TR, TT, TZ, UA, UG, US, UZ, VC, VN, ZA, ZM, ZW.
- (84) Designated States (unless otherwise indicated, for every kind of regional protection available): ARIPO (BW, GH, GM, KE, LR, LS, MW, MZ, NA, SD, SL, SZ, TZ, UG, ZM, ZW), Eurasian (AM, AZ, BY, KG, KZ, MD, RU, TJ, TM), European (AL, AT, BE, BG, CH, CY, CZ, DE, DK, EE, ES, FI, FR, GB, GR, HR, HU, IE, IS, IT, LT, LU, LV, MC, MK, MT, NL, NO, PL, PT, RO, RS, SE, SI, SK, SM,

[Continued on next page]

(54) Title: BOXING AND MARTIAL ARTS FIGHT, TRAINER, AND GAME SYSTEM AND METHOD

(57) Abstract: A boxing or martial arts training and/or exercise device and method includes a frame with a plurality of striking pads communicatively connected to one or more impact sensors, a control unit, and a display. The control unit directs users to strike various impact sensors according to various sequences, including fighting and training sequences. The impact sensors detect touches and taps from punches and kicks, and responsive to detection, the control unit receives input from the impact sensors, and directs next sequences displayed in the display accordingly, for example, by processing and displaying of informational content relative to punches and kicks.

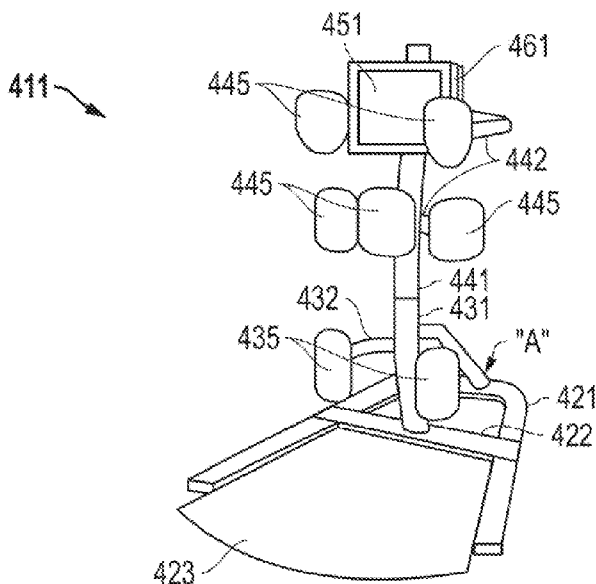


FIG. 4



TR), OAPI (BF, BJ, CF, CG, CI, CM, GA, GN, GQ, GW, (88) Date of publication of the international search report:
ML, MR, NE, SN, TD, TG). 3 October 2013

Published:

— with international search report (Art. 21(3))

INTERNATIONAL SEARCH REPORT

International application No.

PCT/US 11/45220

A. CLASSIFICATION OF SUBJECT MATTER IPC(8) - A63B 69/32 (2011.01) USPC - 482/84 According to International Patent Classification (IPC) or to both national classification and IPC		
B. FIELDS SEARCHED Minimum documentation searched (classification system followed by classification symbols) USPC: 482/84 Documentation searched other than minimum documentation to the extent that such documents are included in the fields searched IPC(8): A63B 69/32 (2011.01) USPC: 482/84, 8, 83, 86, 87, 148 Electronic data base consulted during the international search (name of data base and, where practicable, search terms used) PubWEST (PGPB, USPT, EPAB, JPAB) and Google: Punch, punching, kick, kicking, strike, striking, struck, fight, fighting, spar, sparring, MMA, martial, mixed, arts, combat, self defense, pad, padding, bag, mitt, box, boxing, glove, hook, jab, target, sensor, detector, sensing, detecting, visual, display, monitor, screen,axis		
C. DOCUMENTS CONSIDERED TO BE RELEVANT		
Category*	Citation of document, with indication, where appropriate, of the relevant passages	Relevant to claim No.
X	US 2005/0209066 A1 (Penney) 22 September 2005 (22.09.2005) entire document, especially para [0002], [0007]-[0008], [0025], [0027]-[0030], [0033]-[0035], [0038] and [0048]; Fig. 1, 2	1-27
Y	US 2010/0130329 A1 (Sullivan et al) 27 May 2010 (27.05.2010) entire document, especially para [0029]-[0030], [0032], [0033], [0055]; Fig. 1, 3	1-27
Y	US 2005/0181913 A1 (Vang et al) 18 August 2005 (18.08.2005) entire document, especially para [0049]-[0069] and [0076]-[0077]; Fig. 6-8	1-27
Y	US 2005/0266967 A1 (Considine et al) 01 December 2005 (01.12.2005) entire document, especially para [0015]-[0032]; Fig. 13	1-27
<input type="checkbox"/> Further documents are listed in the continuation of Box C. <input type="checkbox"/>		
* Special categories of cited documents: "A" document defining the general state of the art which is not considered to be of particular relevance "E" earlier application or patent but published on or after the international filing date "L" document which may throw doubts on priority claim(s) or which is cited to establish the publication date of another citation or other special reason (as specified) "O" document referring to an oral disclosure, use, exhibition or other means "P" document published prior to the international filing date but later than the priority date claimed "T" later document published after the international filing date or priority date and not in conflict with the application but cited to understand the principle or theory underlying the invention "X" document of particular relevance; the claimed invention cannot be considered novel or cannot be considered to involve an inventive step when the document is taken alone "Y" document of particular relevance; the claimed invention cannot be considered to involve an inventive step when the document is combined with one or more other such documents, such combination being obvious to a person skilled in the art "&" document member of the same patent family		
Date of the actual completion of the international search 12 December 2011 (12.12.2011)		Date of mailing of the international search report 05 JAN 2012
Name and mailing address of the ISA/US Mail Stop PCT, Attn: ISA/US, Commissioner for Patents P.O. Box 1450, Alexandria, Virginia 22313-1450 Facsimile No. 571-273-3201		Authorized officer: Lee W. Young PCT Helpdesk: 571-272-4300 PCT OSP: 571-272-7774