



US00D444130S

(12) **United States Design Patent** (10) **Patent No.:** **US D444,130 S**
Hayashi et al. (45) **Date of Patent:** **** Jun. 26, 2001**

(54) **ELECTRIC CONNECTOR**
(75) Inventors: **Koji Hayashi**, Tachikawa; **Masaaki Takaku**, Tokyo, both of (JP)
(73) Assignee: **Japan Aviation Electronics Industry, Limited**, Tokyo (JP)
(**) Term: **14 Years**
(21) Appl. No.: **29/119,792**
(22) Filed: **Mar. 8, 2000**
(30) **Foreign Application Priority Data**

 Sep. 9, 1999 (JP) 11-24315
(51) **LOC (7) Cl.** **13-03**
(52) **U.S. Cl.** **D13/147**
(58) **Field of Search** D13/146, 147;
 439/357, 260, 329, 422, 492-499, 660

(56) **References Cited**
 U.S. PATENT DOCUMENTS
 D. 293,432 * 12/1987 Masuda D13/147
 D. 323,484 * 1/1992 Takayanagi D13/147
 D. 376,582 * 12/1996 Mitani et al. D13/147
 D. 429,219 * 8/2000 Chiou D13/147
 3,960,436 * 6/1976 Zebisch 439/660
 5,241,135 * 8/1993 Fetzer 174/88 R
 6,015,310 * 1/2000 Tojo 439/260
 6,099,346 * 8/2000 Hashiguchi et al. 439/495

* cited by examiner

Primary Examiner—Joel Sincavage
(74) *Attorney, Agent, or Firm*—Laff, Whitesel & Saret, Ltd.; J. Warren Whitesel

(57) **CLAIM**
The ornamental design for an electric connector, as shown and described.

DESCRIPTION
FIG. 1 is a front elevational view of an electrical connector; FIG. 2 is a rear elevational view thereof; FIG. 3 is a right side elevational view thereof; FIG. 4 is a cross-sectional view thereof along the line 4—4 of FIG. 1; FIG. 5 is a cross-sectional view thereof along the line 5—5 of FIG. 1; FIG. 6 is a top plan view thereof; FIG. 7 is a bottom plan view thereof; FIG. 8 is a perspective view of the front and right side thereof; and, FIG. 9 is a perspective view illustrating a state in use thereof wherein the electric connector is coupled with a flexible printed cable. In FIG. 9, the broken line shows a flexible printed circuit which is included only to illustrate the environmental structure and forms no part of the claimed design.
A left side elevational view of the electrical connector is omitted because it is presented symmetrical to the right side elevational view of FIG. 3.

1 Claim, 3 Drawing Sheets

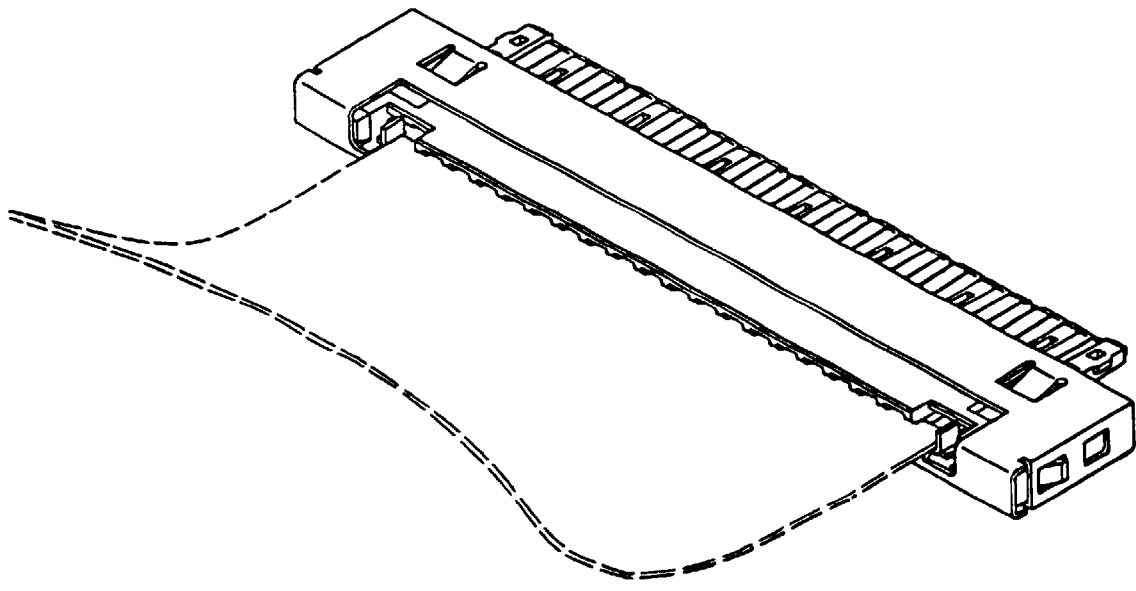


FIG. 1

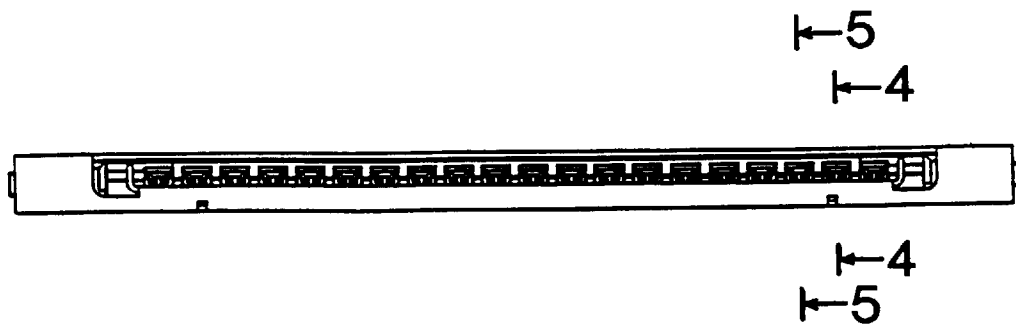


FIG. 2



FIG. 3



FIG. 4



FIG. 5



FIG. 6

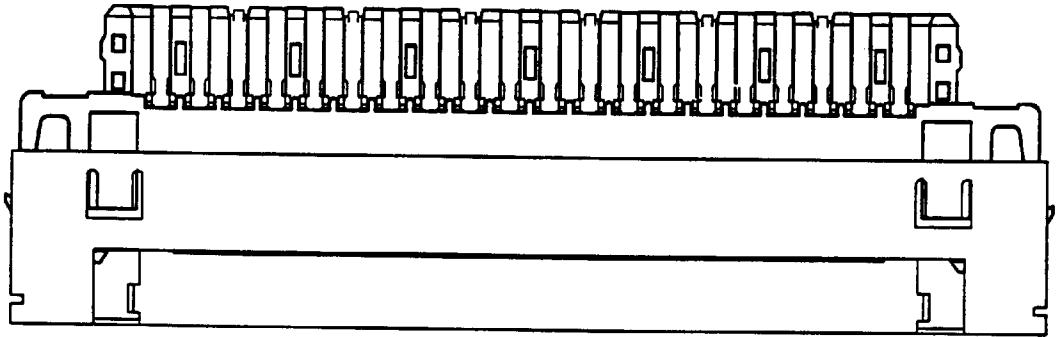
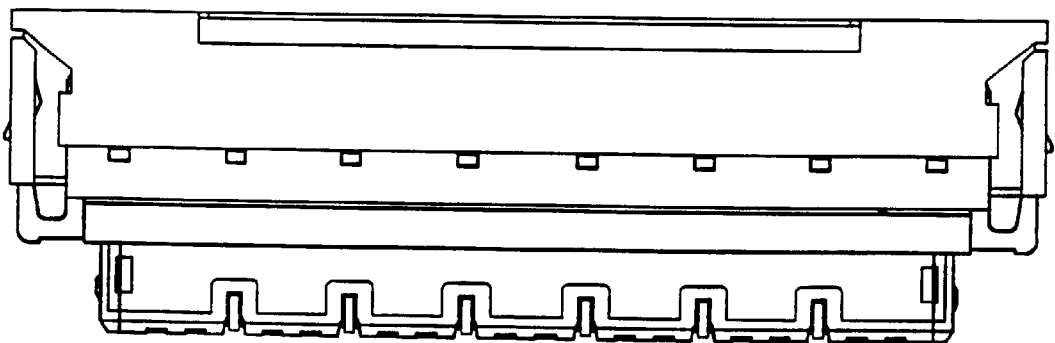


FIG. 7



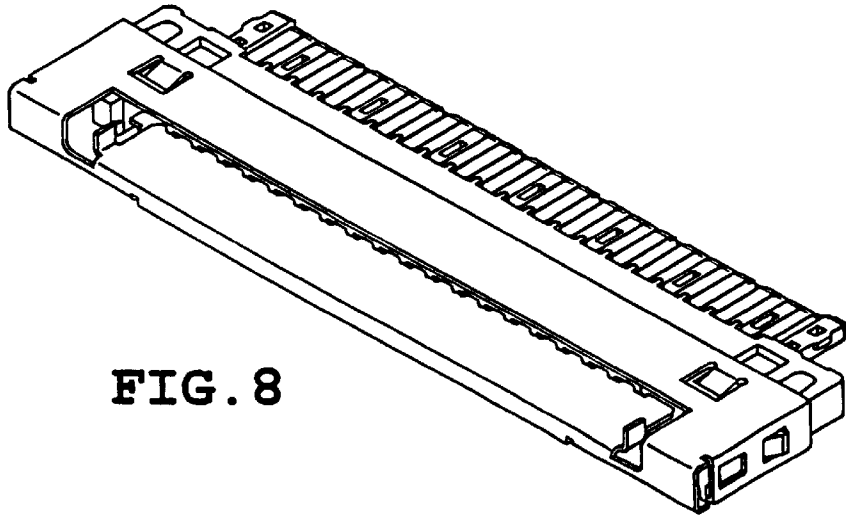


FIG. 8

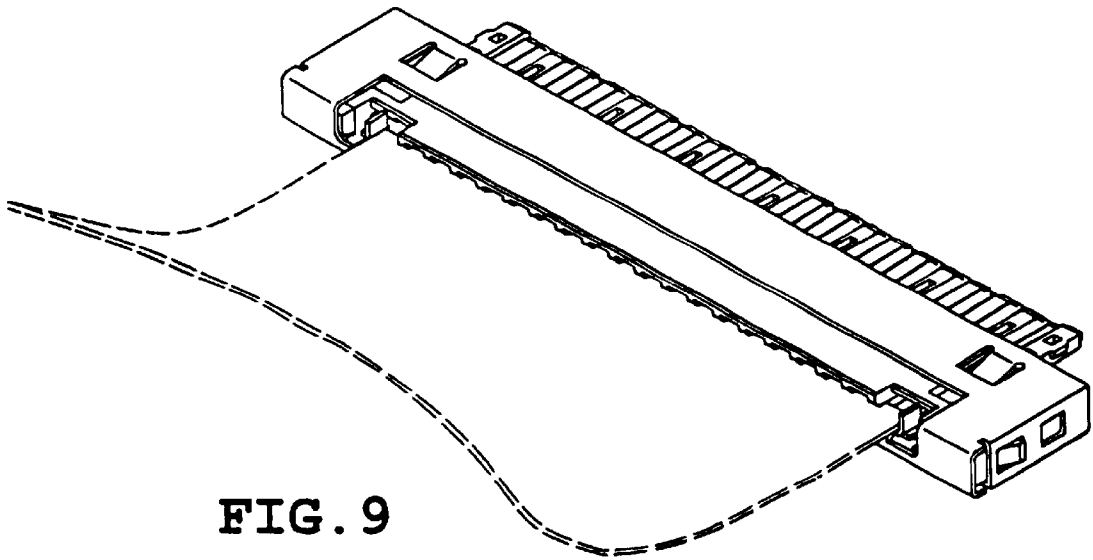


FIG. 9