



US00D770858S

(12) **United States Design Patent** (10) **Patent No.:** **US D770,858 S**  
**Savarese** (45) **Date of Patent:** **\*\* Nov. 8, 2016**

(54) **CHAMPAGNE AND WINE BOTTLE CHILLER**  
(71) Applicant: **Pasquale Savarese**, Smithtown, NY (US)  
(72) Inventor: **Pasquale Savarese**, Smithtown, NY (US)

D458,086 S 6/2002 Marks et al.  
6,474,096 B1 11/2002 de la Guardia  
D488,356 S \* 4/2004 Wiest ..... D7/603  
D490,274 S 5/2004 Irvine  
D490,978 S \* 6/2004 Breyer ..... D3/313  
D505,837 S \* 6/2005 Lima ..... D7/603  
D530,156 S \* 10/2006 Moore ..... D7/603

(Continued)

(\*\*) Term: **14 Years**  
(21) Appl. No.: **29/517,006**

FOREIGN PATENT DOCUMENTS

AU 2010 100 394 A4 6/2010  
DE 265 750 C 2/1913  
DE 202 11 894 U1 10/2002

(22) Filed: **Feb. 9, 2015**  
(51) **LOC (10) Cl.** ..... **07-01**  
(52) **U.S. Cl.**  
USPC ..... **D7/603**  
(58) **Field of Classification Search**  
USPC ..... D7/354, 523, 603, 605; D3/313  
CPC ..... F25D 3/08; B65D 25/30; B65D 7/24;  
B65D 81/3876; B65D 81/3879; B65D  
23/104; B65D 81/38; B65D 81/3886; B65D  
81/3881; B65D 81/3883; B65D 23/0885;  
B65D 25/34; B65D 21/0233; B65D 81/3869;  
A45C 11/20; A47G 23/0216; A47G 19/2288;  
A45F 2200/0583; A61F 7/10; B31D 5/0086;  
F21V 33/00

OTHER PUBLICATIONS

European Search Report for EP 12 15 6748 dated May 14, 2012.

*Primary Examiner* — Freda S Nunn  
(74) *Attorney, Agent, or Firm* — Carter, DeLuca, Farrell & Schmidt, LLP

See application file for complete search history.

(57) **CLAIM**  
The ornamental design for a champagne and wine bottle chiller, as shown and described.

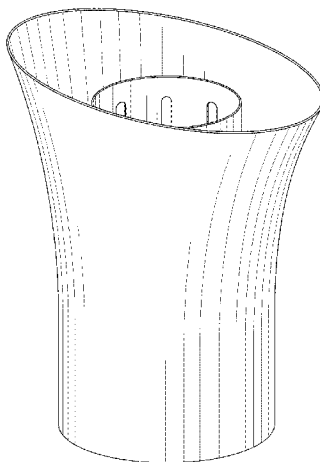
DESCRIPTION

FIG. 1 is a perspective view illustrating my new design for a champagne and wine bottle chiller having a container and an insert configured for placement within the container; FIG. 2 is a front view of the container; FIG. 3 is a back view of the container; FIG. 4 is a right side view of the container; FIG. 5 is a left side view of the container; FIG. 6 is a top view of the container and insert; FIG. 7 is a bottom view of the container; FIG. 8 is a perspective view of the insert thereof shown separately for clarity of illustration only; FIG. 9 is a front view of the insert; FIG. 10 is a top view of the insert; and, FIG. 11 is a bottom view of the insert.

(56) **References Cited**  
U.S. PATENT DOCUMENTS

1,984,455 A 12/1934 Bienenfeld  
2,216,762 A 11/1938 Bolas  
3,998,072 A 12/1976 Shaw  
4,037,428 A 7/1977 Giannotti  
4,255,944 A 3/1981 Gardner et al.  
D290,572 S 6/1987 Verduyn  
D395,579 S \* 6/1998 Jeppesen ..... D7/603  
6,094,936 A 8/2000 Miller  
6,237,360 B1 5/2001 Corona  
RE37,213 E 6/2001 Staggs  
6,357,253 B1 \* 3/2002 Condy ..... B65D 81/3883  
62/371  
6,378,325 B1 4/2002 Yang

**1 Claim, 9 Drawing Sheets**



(56)

**References Cited**

U.S. PATENT DOCUMENTS

7,370,492	B2	5/2008	Hoare et al.		
D621,223	S *	8/2010	Bas .....	D7/603	
D624,783	S *	10/2010	Lion .....	D7/354	
D631,702	S *	2/2011	Flick .....	D7/509	
					* cited by examiner
				D634,981	S 3/2011 Savarese
				2003/0010054	A1 1/2003 Esch et al.
				2005/0078472	A1 4/2005 Wiest
				2006/0060592	A1 3/2006 Kamite
				2007/0113580	A1 5/2007 Robertson et al.
				2008/0043805	A1 2/2008 Harris

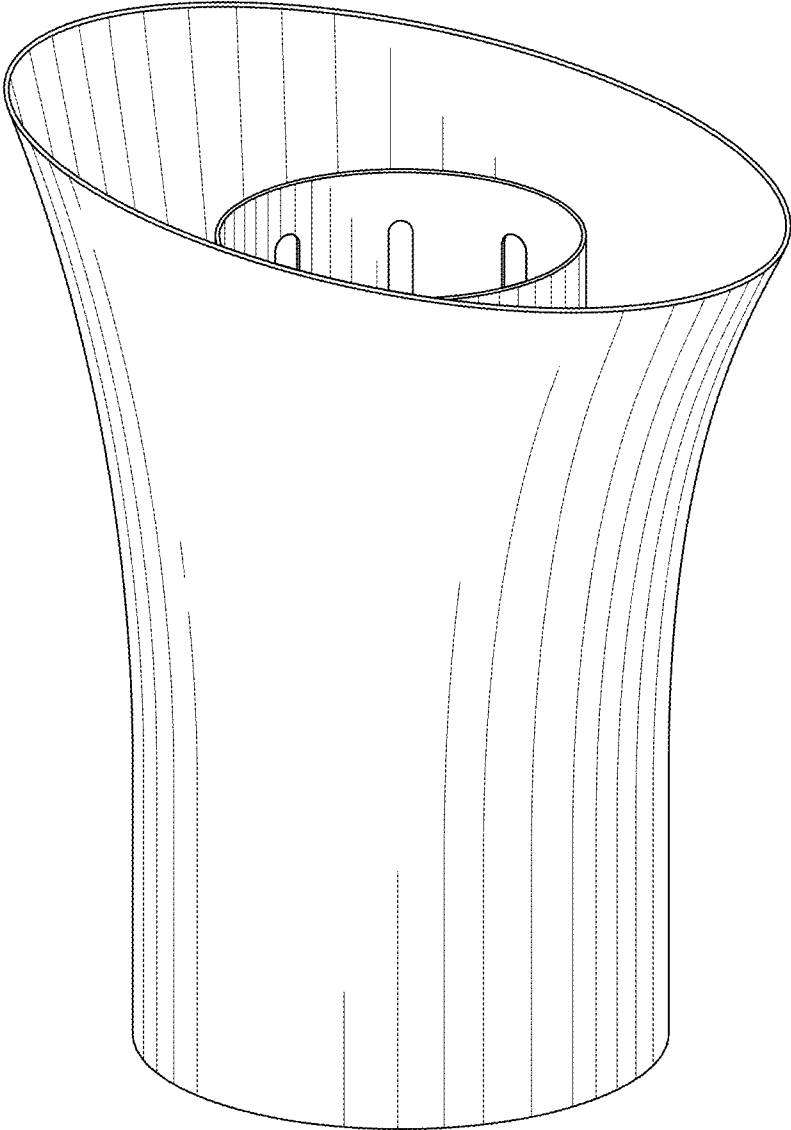
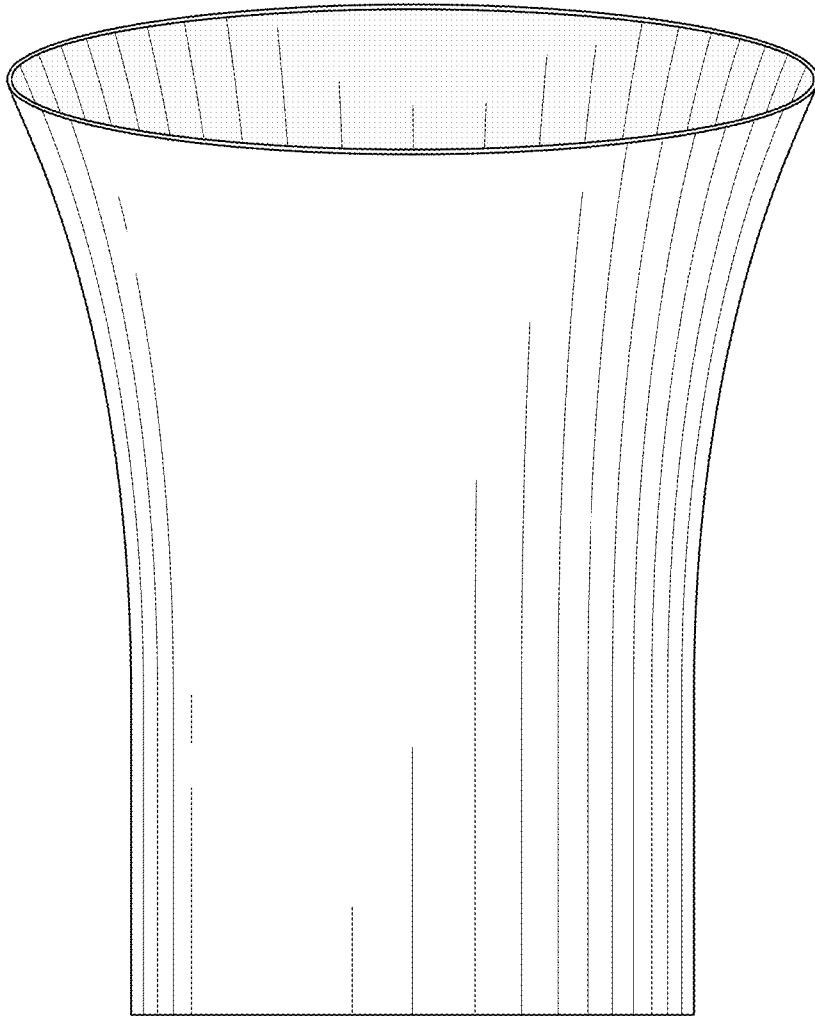


FIG. 1



**FIG. 2**

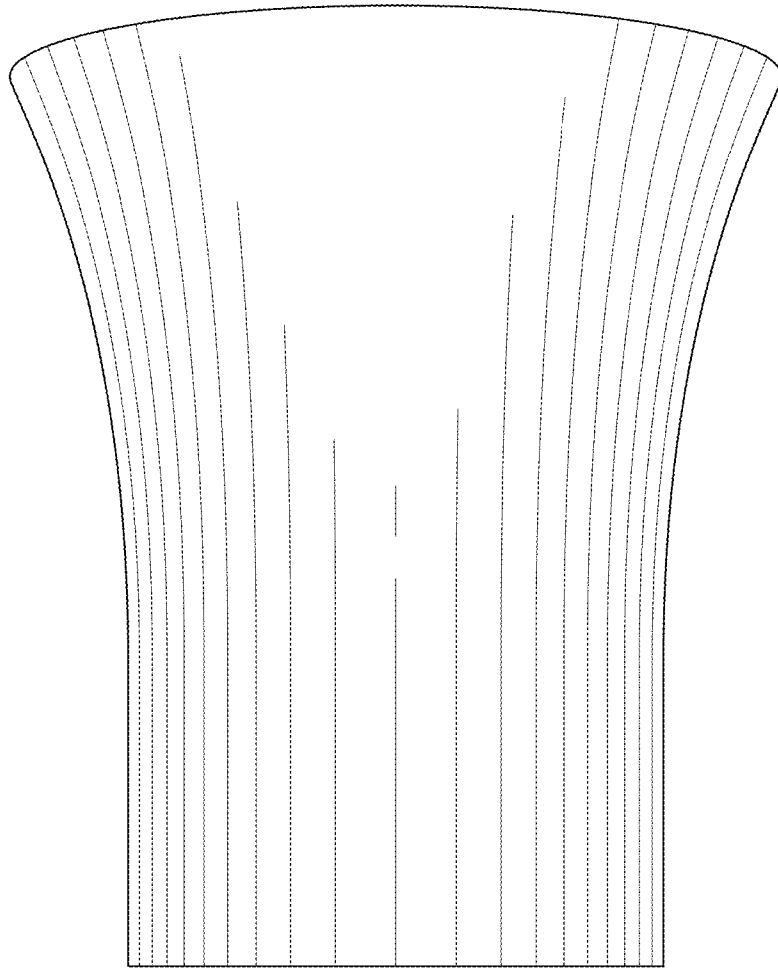


FIG. 3

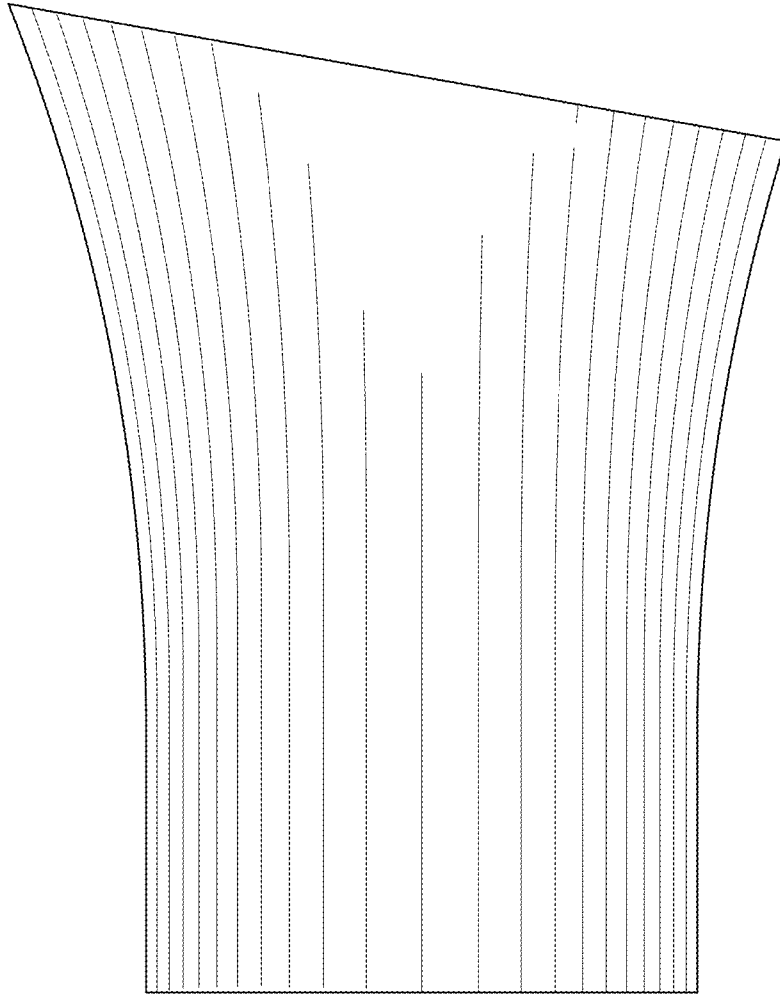


FIG. 4

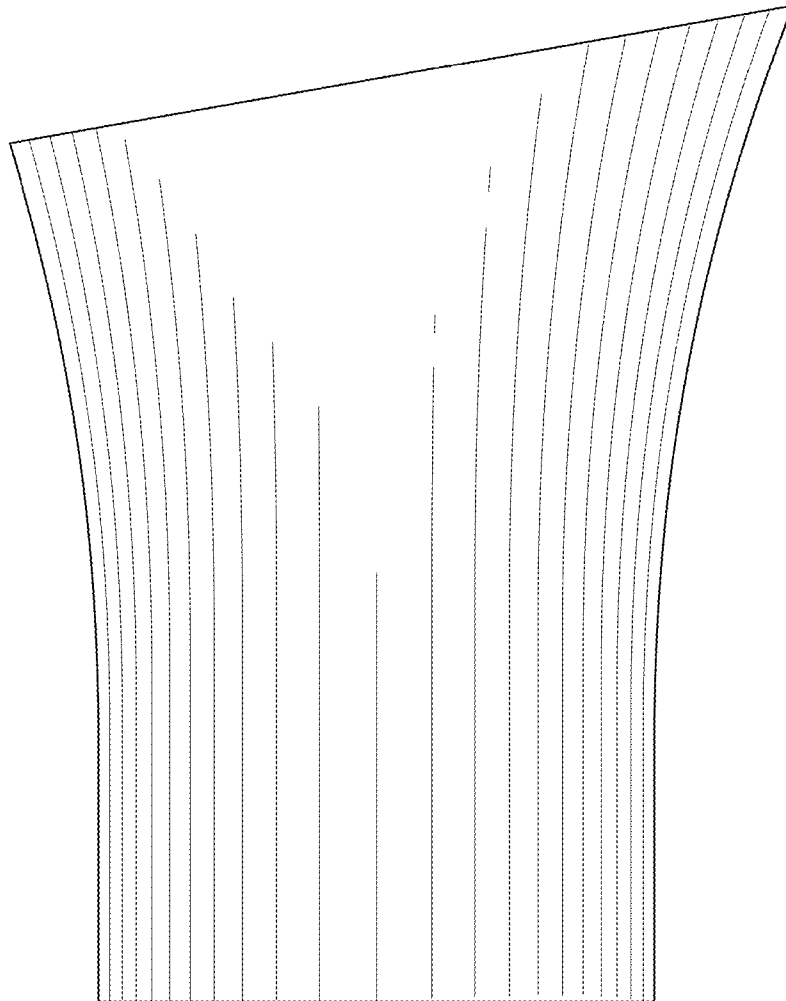


FIG. 5

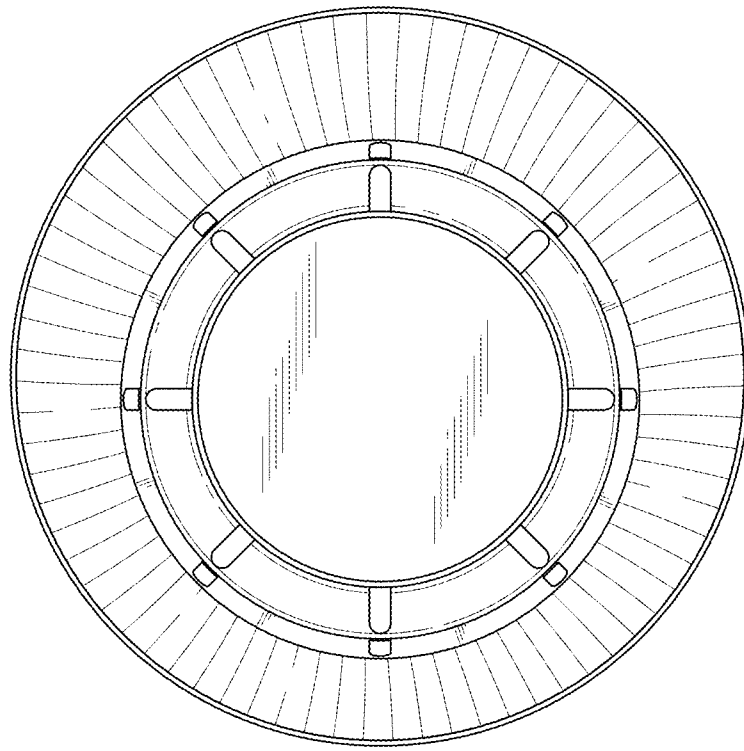


FIG. 6

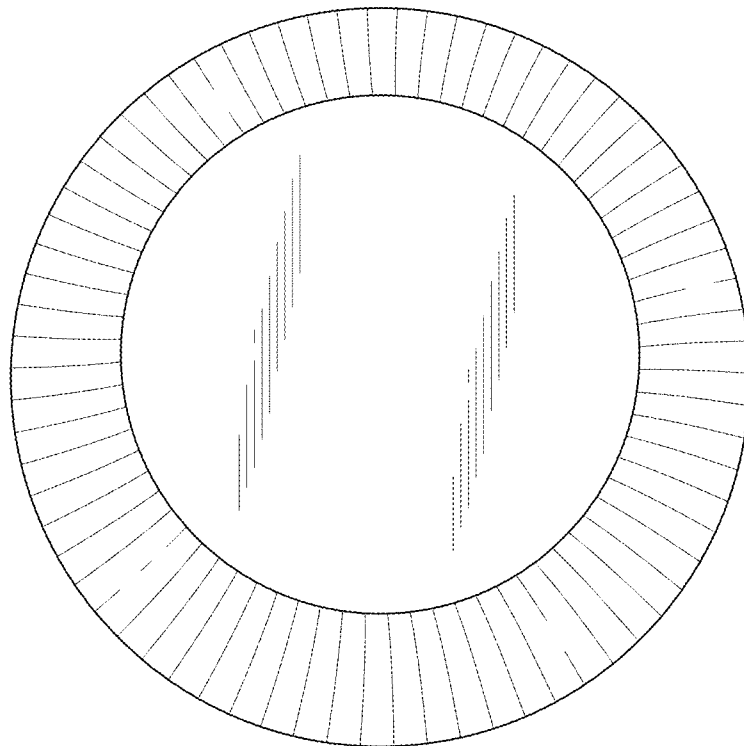


FIG. 7

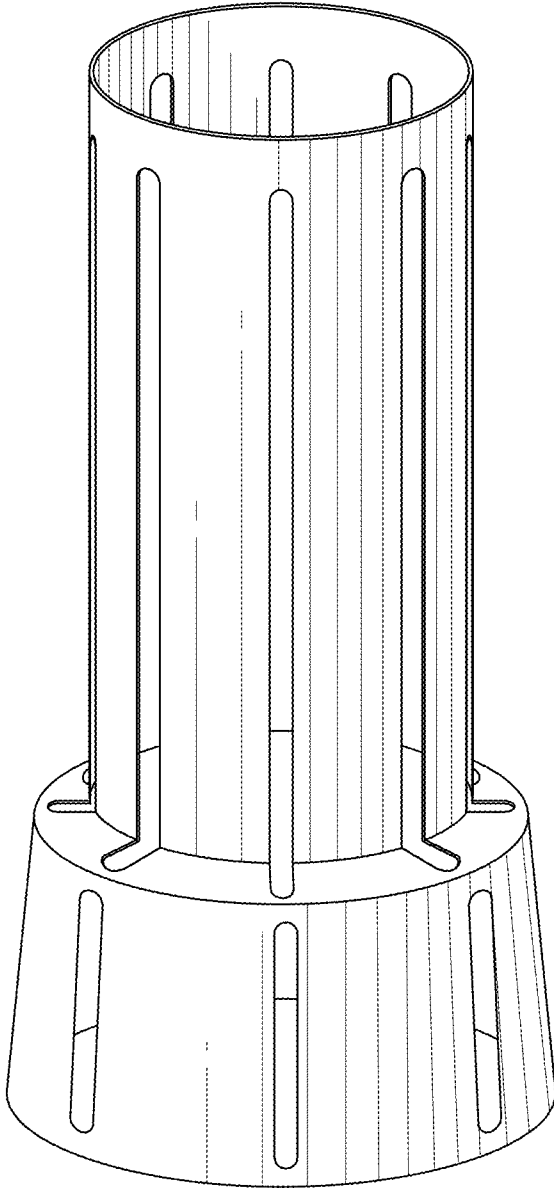
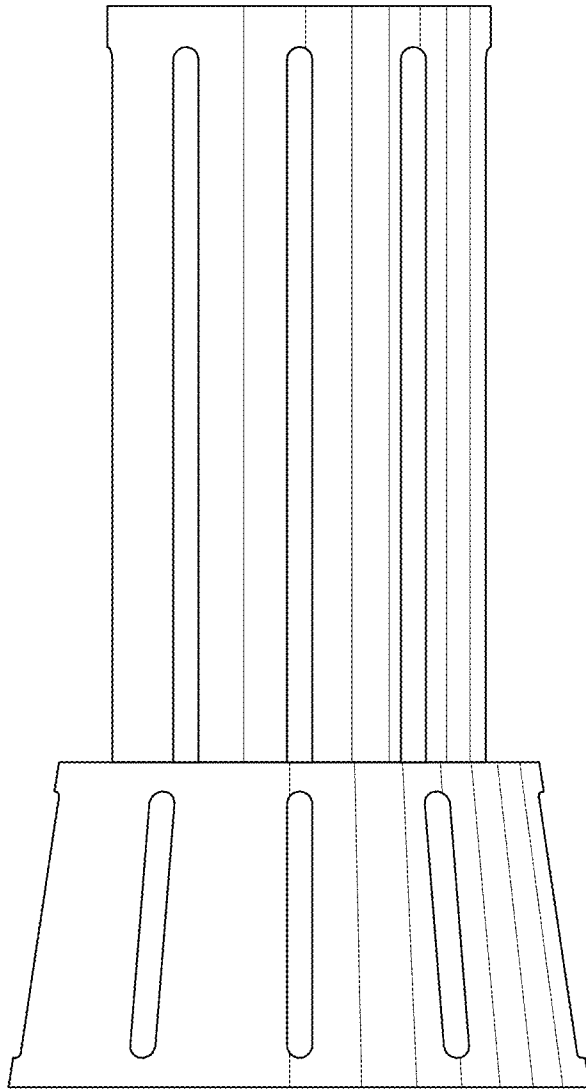
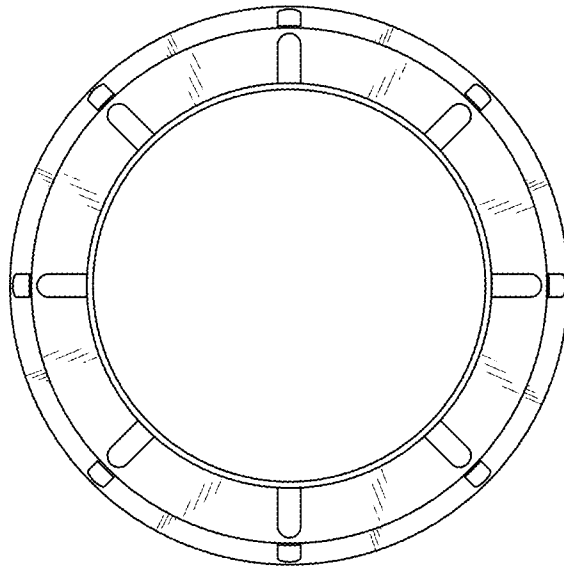


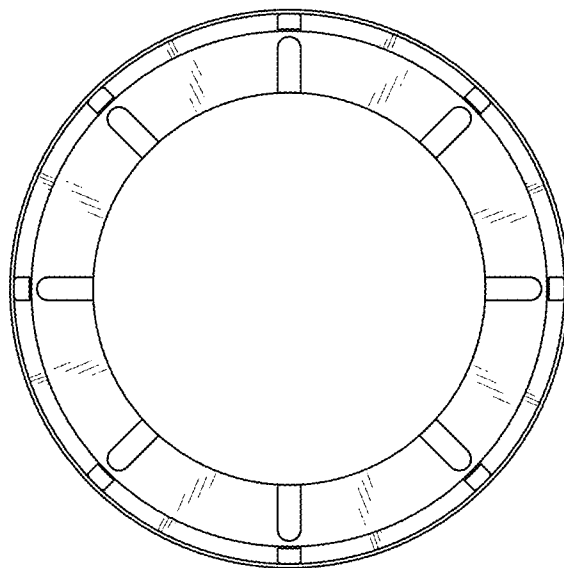
FIG. 8



**FIG. 9**



**FIG. 10**



**FIG. 11**