



- (51) International Patent Classification:
G01N 11/08 (2006.01)
- (21) International Application Number:
PCT/GB2011/051476
- (22) International Filing Date:
3 August 2011 (03.08.2011)
- (25) Filing Language: English
- (26) Publication Language: English
- (30) Priority Data:
1013044.1 3 August 2010 (03.08.2010) GB
- (71) Applicant (for all designated States except US): **THE UNIVERSITY OF MANCHESTER** [GB/GB]; Oxford Road, Manchester, Lancashire M13 9PL (GB).
- (72) Inventor; and
- (75) Inventor/Applicant (for US only): **YUAN, Xue-Feng** [CN/GB]; Apt 10 Lantern Court, 106 Hall Lane, Baguley, Manchester, Lancashire M23 1DJ (GB).
- (74) Agent: **HARRISON GODDARD FOOTE**; Fountain Precinct, Balm Green, Sheffield, S1 2JA (GB).
- (81) Designated States (unless otherwise indicated, for every kind of national protection available): AE, AG, AL, AM, AO, AT, AU, AZ, BA, BB, BG, BH, BR, BW, BY, BZ, CA, CH, CL, CN, CO, CR, CU, CZ, DE, DK, DM, DO, DZ, EC, EE, EG, ES, FI, GB, GD, GE, GH, GM, GT, HN,

HR, HU, ID, IL, IN, IS, JP, KE, KG, KM, KN, KP, KR, KZ, LA, LC, LK, LR, LS, LT, LU, LY, MA, MD, ME, MG, MK, MN, MW, MX, MY, MZ, NA, NG, NI, NO, NZ, OM, PE, PG, PH, PL, PT, QA, RO, RS, RU, SC, SD, SE, SG, SK, SL, SM, ST, SV, SY, TH, TJ, TM, TN, TR, TT, TZ, UA, UG, US, UZ, VC, VN, ZA, ZM, ZW.

- (84) Designated States (unless otherwise indicated, for every kind of regional protection available): ARIPO (BW, GH, GM, KE, LR, LS, MW, MZ, NA, SD, SL, SZ, TZ, UG, ZM, ZW), Eurasian (AM, AZ, BY, KG, KZ, MD, RU, TJ, TM), European (AL, AT, BE, BG, CH, CY, CZ, DE, DK, EE, ES, FI, FR, GB, GR, HR, HU, IE, IS, IT, LT, LU, LV, MC, MK, MT, NL, NO, PL, PT, RO, RS, SE, SI, SK, SM, TR), OAPI (BF, BJ, CF, CG, CI, CM, GA, GN, GQ, GW, ML, MR, NE, SN, TD, TG).

Declarations under Rule 4.17:

— of inventorship (Rule 4.17(iv))

Published:

- with international search report (Art. 21(3))
- before the expiration of the time limit for amending the claims and to be republished in the event of receipt of amendments (Rule 48.2(h))

(88) Date of publication of the international search report:

25 April 2013

(54) Title: RHEOMETRY APPARATUS

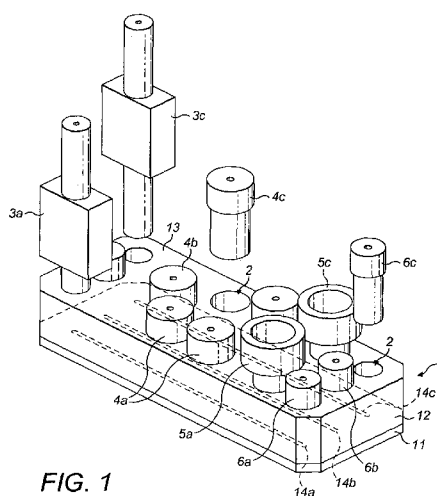


FIG. 1

(57) Abstract: Rheometry apparatus comprises a block of substantially rigid material having an external surface and at least a first internal flow channel, the first internal flow channel being arranged inside the block and substantially in a plane and the block further comprising a plurality of holes, each hole communicating with the first internal flow channel at a respective position along the first internal flow channel and extending from the respective position to said external surface so as to provide access to the first internal flow channel from the external surface, the plurality of holes comprising a first hole communicating with a first said position, for connection to pumping means to drive fluid flow along said first internal flow channel, a second hole communicating with a second position and in which a sensor may be located to measure a property of fluid at the second position, and a third hole communicating with a third position and in which a sensor may be located to measure a property of fluid at the third position.



INTERNATIONAL SEARCH REPORT

International application No
PCT/GB2011/051476

A. CLASSIFICATION OF SUBJECT MATTER
INV. G01N11/08
ADD.
According to International Patent Classification (IPC) or to both national classification and IPC

B. FIELDS SEARCHED
Minimum documentation searched (classification system followed by classification symbols)
G01N
Documentation searched other than minimum documentation to the extent that such documents are included in the fields searched

Electronic data base consulted during the international search (name of data base and, where practicable, search terms used)
EPO-Internal

C. DOCUMENTS CONSIDERED TO BE RELEVANT		
Category*	Citation of document, with indication, where appropriate, of the relevant passages	Relevant to claim No.
X	US 4 573 345 A (KRUTCHEN CHARLES M [US] ET AL) 4 March 1986 (1986-03-04) abstract; figure 1	1-55
X	US 7 143 637 B1 (MCBREARTY MICHAEL [US] ET AL) 5 December 2006 (2006-12-05) column 5, line 22 - column 5, line 39; figures 1a, 1b	1-55
X	DE 38 18 941 A1 (DEUTSCHES INST LEBENSMITTELTEC [DE]) 14 December 1989 (1989-12-14) the whole document	1-55
A	US 6 386 016 B1 (GLEISSLE WOLFGANG [DE]) 14 May 2002 (2002-05-14) the whole document	1-55
	----- -/--	

Further documents are listed in the continuation of Box C.

See patent family annex.

* Special categories of cited documents :

- "A" document defining the general state of the art which is not considered to be of particular relevance
- "E" earlier application or patent but published on or after the international filing date
- "L" document which may throw doubts on priority claim(s) or which is cited to establish the publication date of another citation or other special reason (as specified)
- "O" document referring to an oral disclosure, use, exhibition or other means
- "P" document published prior to the international filing date but later than the priority date claimed

"T" later document published after the international filing date or priority date and not in conflict with the application but cited to understand the principle or theory underlying the invention

"X" document of particular relevance; the claimed invention cannot be considered novel or cannot be considered to involve an inventive step when the document is taken alone

"Y" document of particular relevance; the claimed invention cannot be considered to involve an inventive step when the document is combined with one or more other such documents, such combination being obvious to a person skilled in the art

"&" document member of the same patent family

Date of the actual completion of the international search 6 February 2013	Date of mailing of the international search report 27/02/2013
Name and mailing address of the ISA/ European Patent Office, P.B. 5818 Patentlaan 2 NL - 2280 HV Rijswijk Tel. (+31-70) 340-2040, Fax: (+31-70) 340-3016	Authorized officer Thomte, Peter

INTERNATIONAL SEARCH REPORT

International application No
PCT/GB2011/051476

C(Continuation). DOCUMENTS CONSIDERED TO BE RELEVANT		
Category*	Citation of document, with indication, where appropriate, of the relevant passages	Relevant to claim No.
X	US 3 952 577 A (HAYES WILLIAM F ET AL) 27 April 1976 (1976-04-27) figures 9, 10 -----	1-55

INTERNATIONAL SEARCH REPORT

Information on patent family members

International application No

PCT/GB2011/051476

Patent document cited in search report	Publication date	Patent family member(s)	Publication date
US 4573345	A	04-03-1986	NONE

US 7143637	B1	05-12-2006	NONE

DE 3818941	A1	14-12-1989	NONE

US 6386016	B1	14-05-2002	DE 19848687 A1 27-04-2000 US 6386016 B1 14-05-2002

US 3952577	A	27-04-1976	CA 992348 A1 06-07-1976 DE 2512644 A1 06-11-1975 FR 2274910 A1 09-01-1976 GB 1459983 A 31-12-1976 JP 51002453 A 10-01-1976 JP 56054564 B 26-12-1981 NL 7503314 A 24-09-1975 US 3952577 A 27-04-1976
