



US00D662350S

(12) **United States Design Patent**  
**Lee**

(10) **Patent No.:** **US D662,350 S**

(45) **Date of Patent:** **\*\* Jun. 26, 2012**

(54) **DISPOSABLE PAPER COOKING POT**

(76) Inventor: **Sang Gen Lee**, Montrose, CA (US)

(\*\*) Term: **14 Years**

(21) Appl. No.: **29/402,601**

(22) Filed: **Sep. 24, 2011**

(51) **LOC (9) Cl.** ..... **07-02**

(52) **U.S. Cl.** ..... **D7/354**

(58) **Field of Classification Search** ..... D7/323,  
D7/329-332, 337, 339, 346-347, 350.1-350.4,  
D7/354-363, 391, 393, 395, 402, 409, 538,  
D7/541-546, 554.2, 552.2, 553.3, 585-587,  
D7/602, 629, 676, 682; D9/430; 99/279,  
99/324-325, 330-332, 337-340, 369, 403-425,  
99/444, 450; 126/25 A, 41 R, 275 R, 380.1,  
126/390.1; 206/8, 501-505, 507-508; 219/400,  
219/405, 435-442, 620-624, 754-755; 220/4.26,  
220/485, 491, 532, 543, 573.1-573.5, 574,  
220/607, 658, 759, 771, 912; 229/5.5, 108.1,  
229/109, 125.19; 426/107, 389, 509; 446/5  
See application file for complete search history.

(56) **References Cited**

**U.S. PATENT DOCUMENTS**

1,451,963	A *	4/1923	Scruby	.....	229/125.19
2,019,787	A *	11/1935	Leopold	.....	229/108.1
2,726,803	A *	12/1955	Ketler	.....	229/5.5
3,261,533	A *	7/1966	Repking	.....	229/109
3,422,951	A *	1/1969	Ragsdale et al.	.....	206/8

3,873,017	A *	3/1975	Blatt	.....	229/108.1
4,166,567	A *	9/1979	Beach et al.	.....	229/108.1
5,247,149	A *	9/1993	Peleg	.....	219/729
5,536,194	A *	7/1996	Larsen et al.	.....	446/5
D397,294	S *	8/1998	Saulas	.....	D9/430
5,900,264	A *	5/1999	Gics	.....	426/107
5,948,308	A *	9/1999	Wischusen, III	.....	219/730
6,359,272	B1 *	3/2002	Sadek et al.	.....	219/732

\* cited by examiner

*Primary Examiner* — Ricky Pham

(74) *Attorney, Agent, or Firm* — QuickPatents, Inc.; Kevin Prince

(57) **CLAIM**

I claim the ornamental design for a disposable paper cooking pot, as shown and described.

**DESCRIPTION**

FIG. 1 is a top plan view of a disposable paper cooking pot showing my new design in a flat configuration;  
FIG. 2 is a perspective view thereof, illustrated in a folded configuration;

FIG. 3 is a top plan view of FIG. 2;

FIG. 4 is a bottom plan view of FIG. 2;

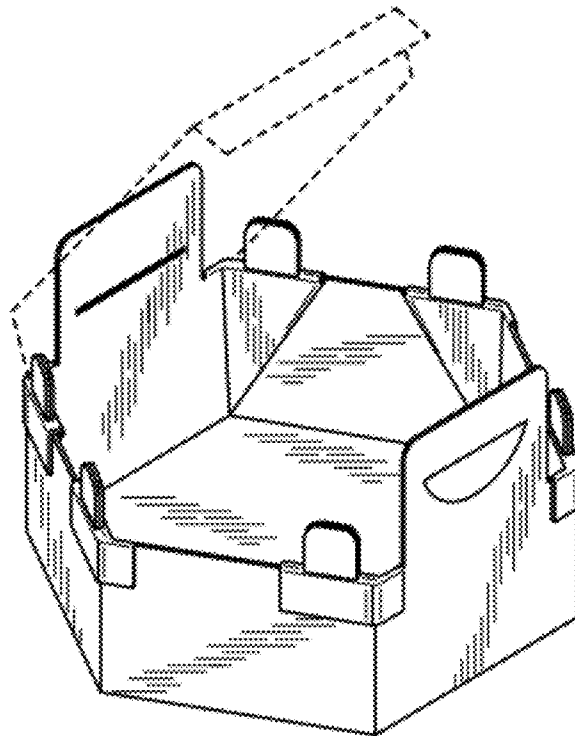
FIG. 5 is a rear elevational view of FIG. 2;

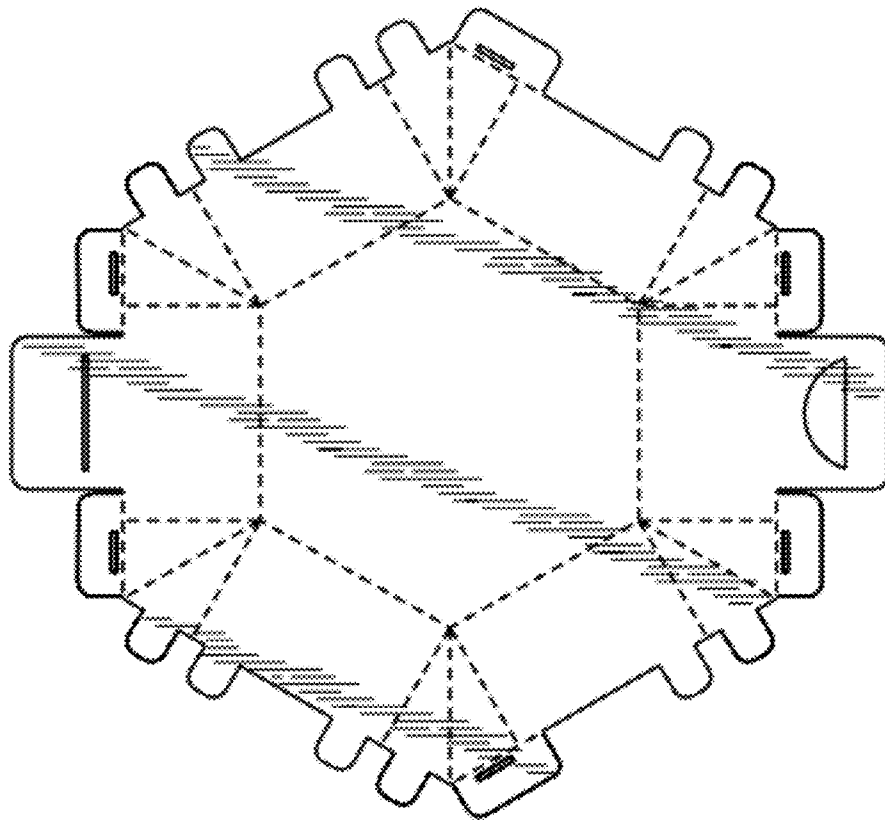
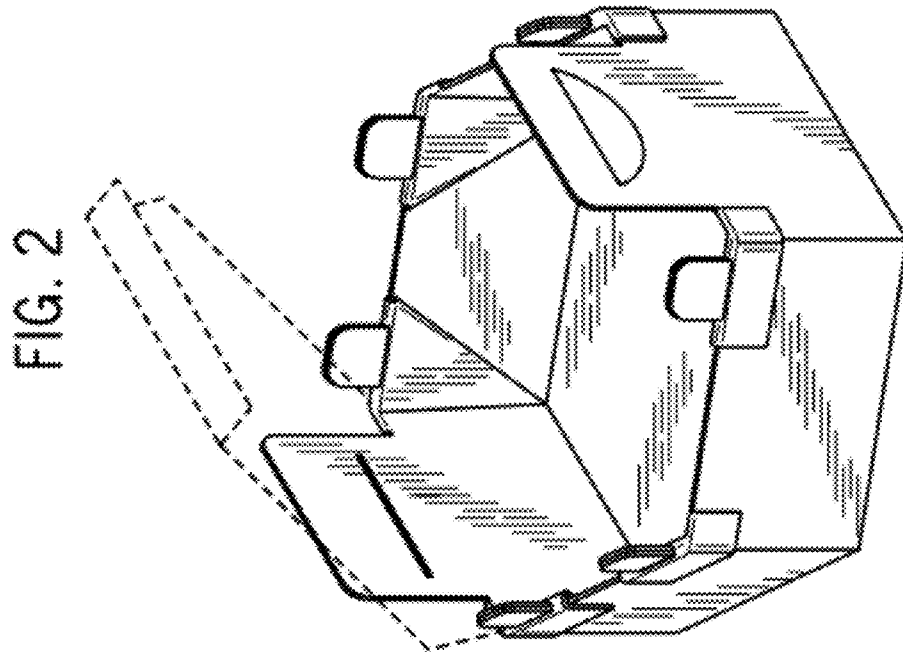
FIG. 6 is a left-side elevational view of FIG. 2, the right-side elevational view being a mirror image thereof; and,

FIG. 7 is a front elevational view of FIG. 2.

The broken lines showing a cover in FIG. 2 depict environmental matter and form no part of the claimed design. The remaining broken lines in FIG. 1 represent score lines.

**1 Claim, 3 Drawing Sheets**





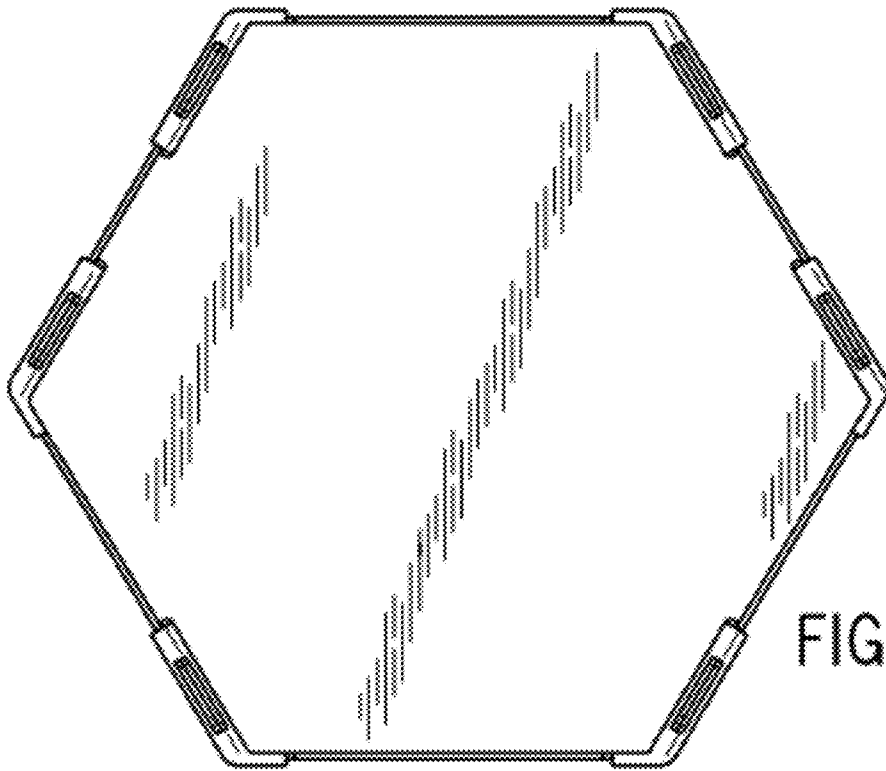


FIG. 3

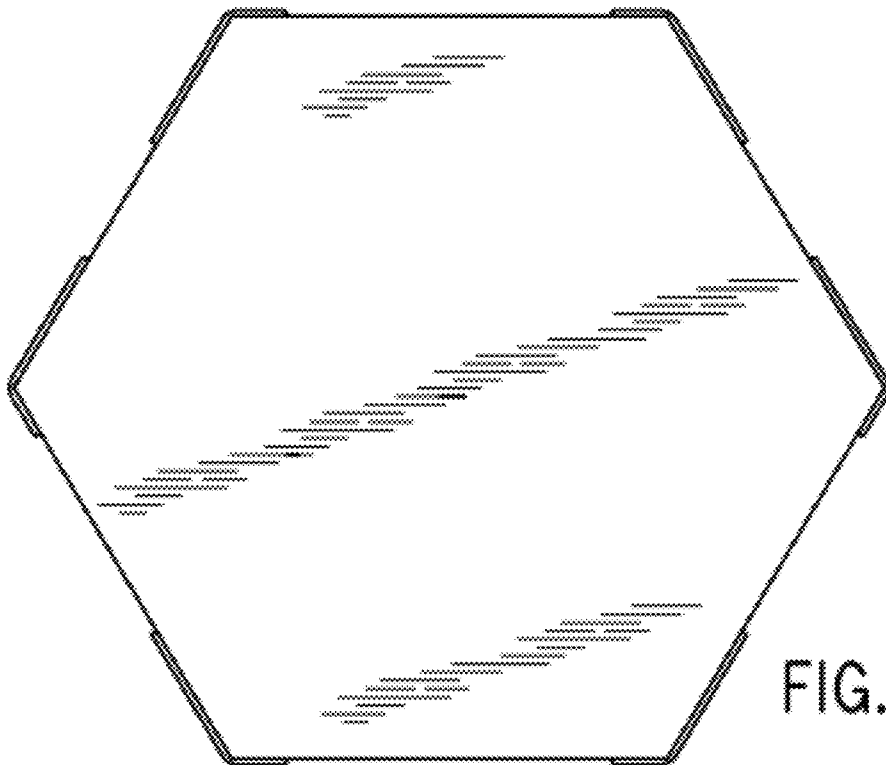


FIG. 4

FIG. 5

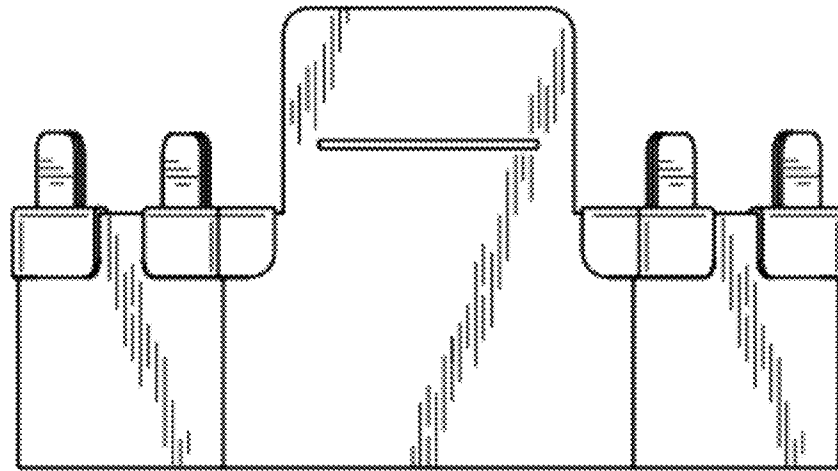


FIG. 6

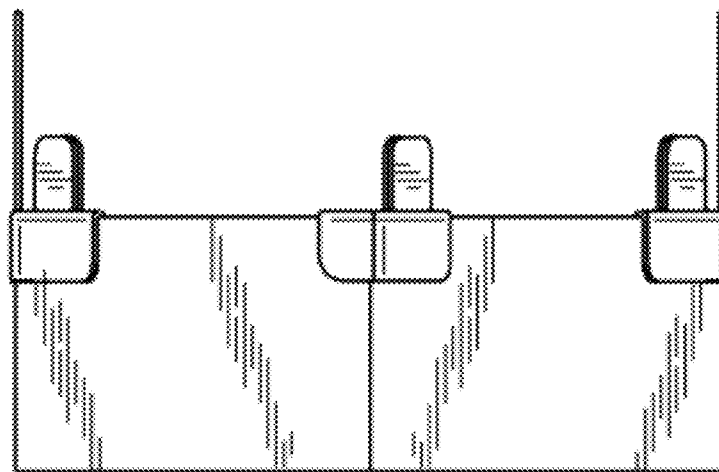


FIG. 7

