



US0D1081024S

(12) **United States Design Patent**  
**Zawitz**

(10) **Patent No.:** **US D1,081,024 S**

(45) **Date of Patent:** **\*\* Jun. 24, 2025**

(54) **LIGHTED DOG VEST**

OTHER PUBLICATIONS

(71) Applicant: **Tangle, Inc.**, South San Francisco, CA (US)

Light Active Dog Harness—posted 2024—retrieved Jul. 8, 2024\_ Retrieved from Internet \_ <https://www.lightactivewear.com/products/light-active-dog-harness> (Year: 2024).\*

(72) Inventor: **Richard E. Zawitz**, South San Francisco, CA (US)

(Continued)

(73) Assignee: **Tangle, Inc.**, South San Francisco, CA (US)

*Primary Examiner* — Calvin E Vansant

*Assistant Examiner* — Sherry L Jones

(74) *Attorney, Agent, or Firm* — Steven A. Nielsen; NielsenPatents.com

(\*\*) Term: **15 Years**

(57) **CLAIM**

(21) Appl. No.: **29/862,974**

The ornamental design for a lighted dog vest as shown and described.

(22) Filed: **Dec. 14, 2022**

**DESCRIPTION**

(51) **LOC (15) Cl.** ..... **30-04**

(52) **U.S. Cl.**

USPC ..... **D30/152**

(58) **Field of Classification Search**

USPC ..... D30/144, 152, 153, 154, 199; D29/100, D29/101.1

CPC .... A01K 27/00; A01K 27/002; A01K 27/003; A01K 27/004; A01K 27/005; A01K 27/006

See application file for complete search history.

FIG. 1 is a top, front right side view of the lighted dog vest; FIG. 2 is a front view thereof; FIG. 3 is a back view thereof; FIG. 4 is a left side view thereof; FIG. 5 is a right view thereof; FIG. 6 is a top view thereof; FIG. 7 is a bottom side view thereof; FIG. 8 is a perspective thereof with a dog drawn in broken lines for environmental purposes only; FIG. 9 is a perspective view of the lighted dog vest, shown in an expanded configuration; FIG. 10 is a front view thereof; FIG. 11 is a back view thereof; FIG. 12 is a left side thereof; FIG. 13 is a right side thereof; FIG. 14 is a top view thereof; and, FIG. 15 is a bottom view thereof.

(56) **References Cited**

U.S. PATENT DOCUMENTS

1,906,043 A \* 4/1933 Bernstein ..... A01K 27/002 119/856  
2,233,397 A \* 3/1941 Bloom ..... A01K 27/002 119/857

(Continued)

FOREIGN PATENT DOCUMENTS

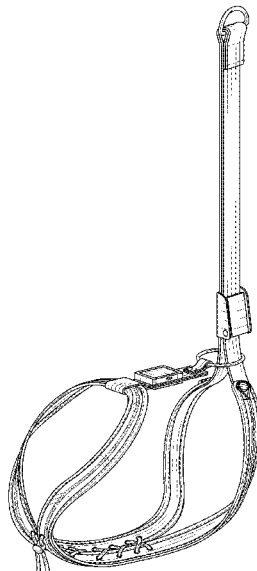
AT 555/2016 \* 5/2017  
CN 201830100780 \* 9/2018

(Continued)

The broken lines on the lighted dog vest depict stitch lines and form no part of the claimed design. In FIG. 8, the broken lines showing a dog depict environment and form no part of the claimed design.

The claimed design shows a contrast of materials by using line shading in one area and stippling in another.

**1 Claim, 12 Drawing Sheets**



(56)

**References Cited**

U.S. PATENT DOCUMENTS

2,605,744 A \* 8/1952 Urbanski ..... A01K 27/002  
119/856  
3,088,438 A \* 5/1963 Oliphant ..... A01K 27/004  
D29/101.1  
5,743,216 A \* 4/1998 Holt, Jr. .... A01K 27/002  
119/793  
D424,761 S \* 5/2000 Mortenson ..... D30/152  
6,401,666 B1 \* 6/2002 Kircher ..... A01K 27/002  
119/793  
D591,011 S \* 4/2009 Madere ..... D30/151  
8,100,090 B1 \* 1/2012 Sutter ..... A01K 27/003  
119/793  
D825,111 S \* 8/2018 Lenahan ..... D29/101.1  
2014/0202397 A1 \* 7/2014 Bentley ..... A01K 27/002  
119/863  
2017/0265437 A1 \* 9/2017 Sporn ..... A01K 27/002  
2021/0127638 A1 \* 5/2021 Kornegay ..... A01K 27/006  
2021/0244001 A1 \* 8/2021 Park ..... A01K 27/003

FOREIGN PATENT DOCUMENTS

CN 201930206400.1 \* 12/2019  
CN 202030435826.7 \* 3/2021  
EM 006276598 \* 3/2019

OTHER PUBLICATIONS

Light Up Dog Harness—posted May 12, 2022—retrieved Jul. 8, 2024\_ Retrieved from Internet \_ <https://www.amazon.com/Harness-Rechargeable-Reflective-Adjustable-Lightweight/dp/B0B14PHHJQ?th=1> (Year: 2022).\*

Nylon LED Dog Harness—posted Jan. 10, 2021—retrieved Jul. 8, 2024\_ Retrieved from Internet \_ <https://www.amazon.com/Nylon-LED-Dog-Luminous-USB-Charging-Flashing-Accessories-whitebattery/dp/B08SKXF9N5> (Year: 2021).\*

PZRLit LED Light Up—posted Dec. 7, 2021—retrieved Jul. 8, 2024\_ Retrieved from Internet \_ <https://www.amazon.com/PZRLit-Lighted-Rechargeable-Waterproof-Reflective/dp/B09N6LQWXW> (Year: 2021).\*

\* cited by examiner

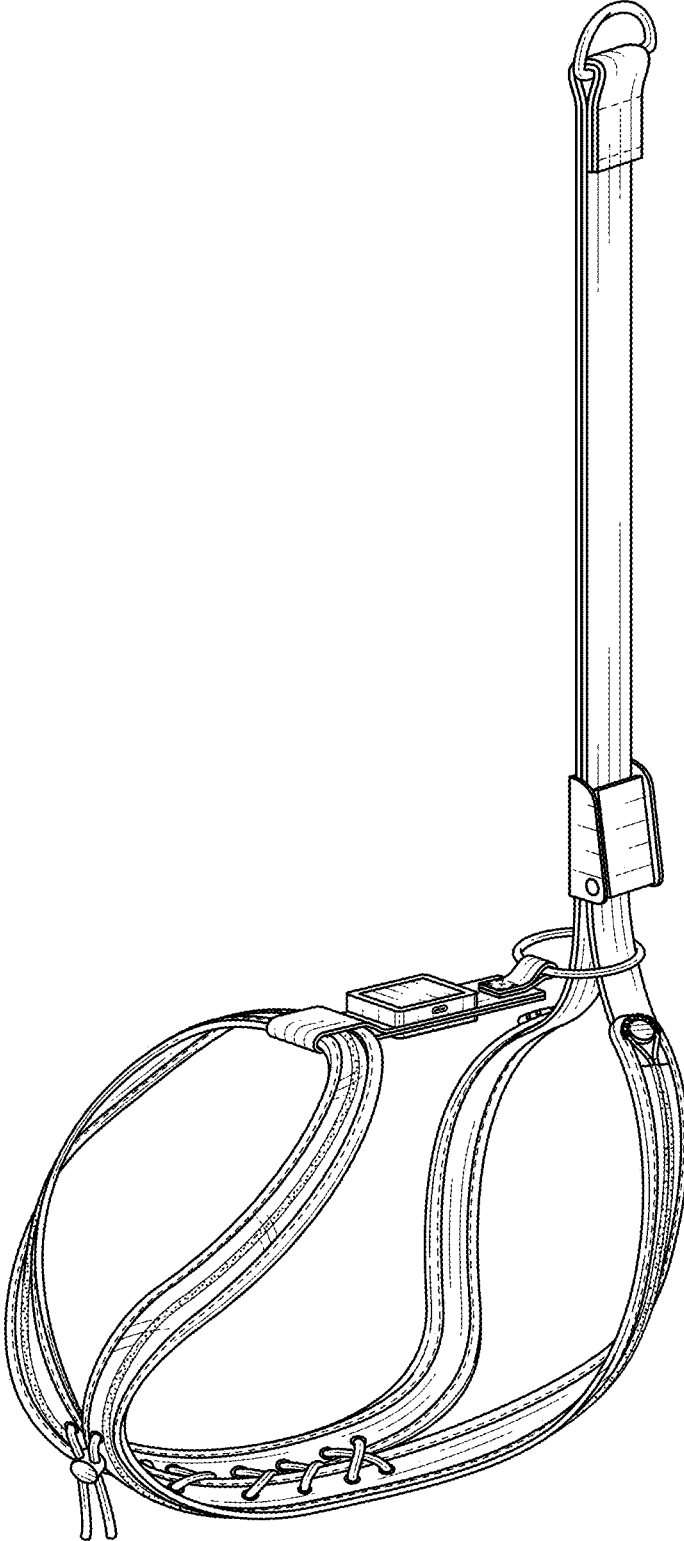


FIG. 1

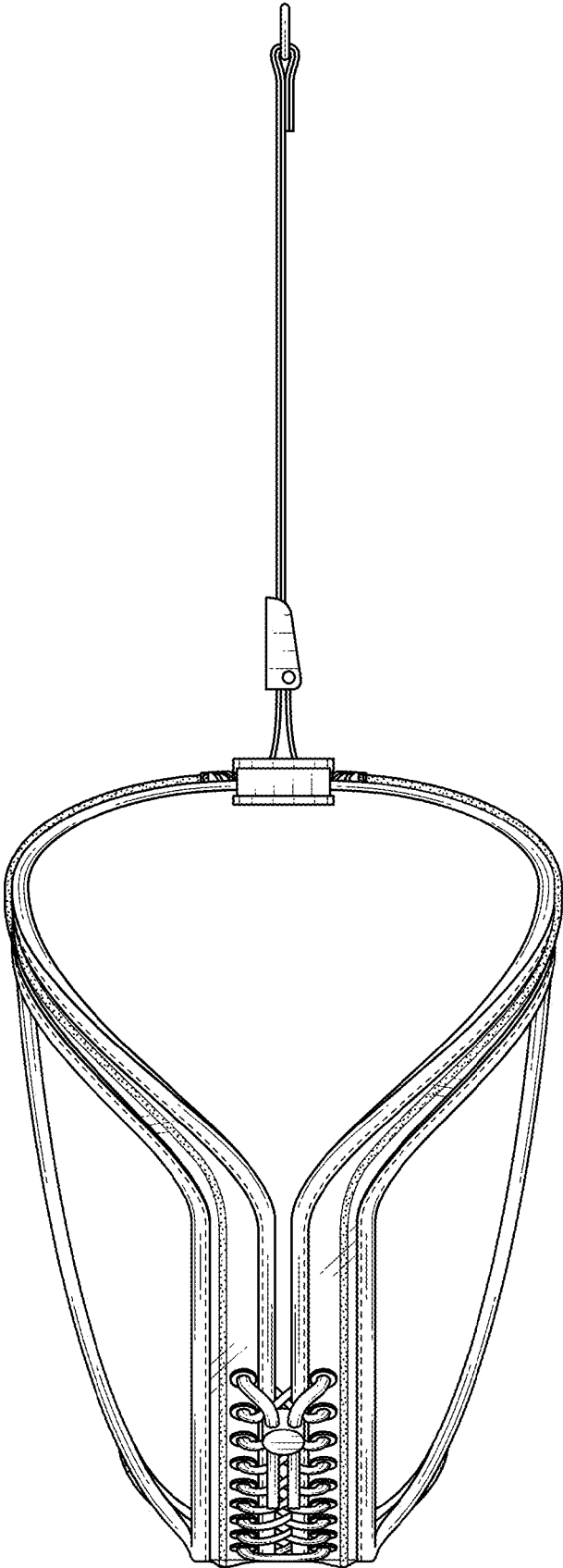


FIG. 2

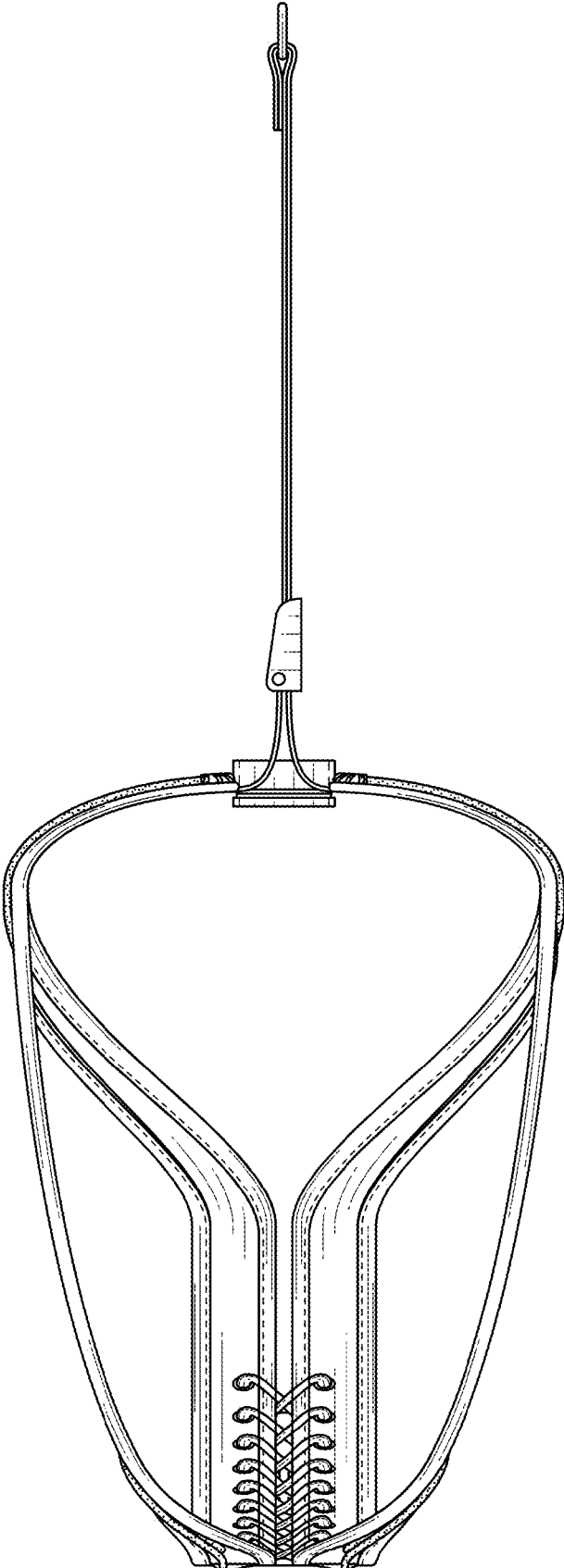


FIG. 3

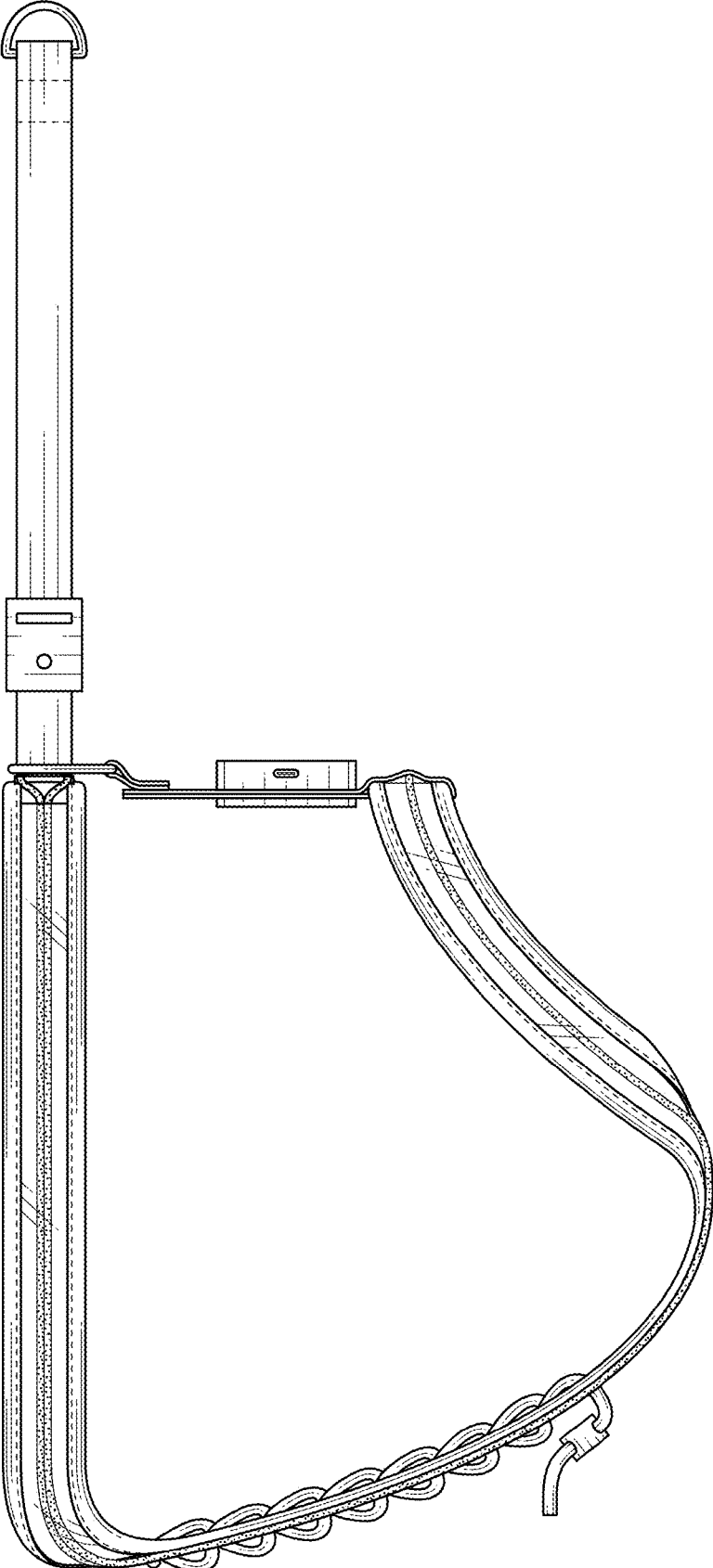


FIG. 4

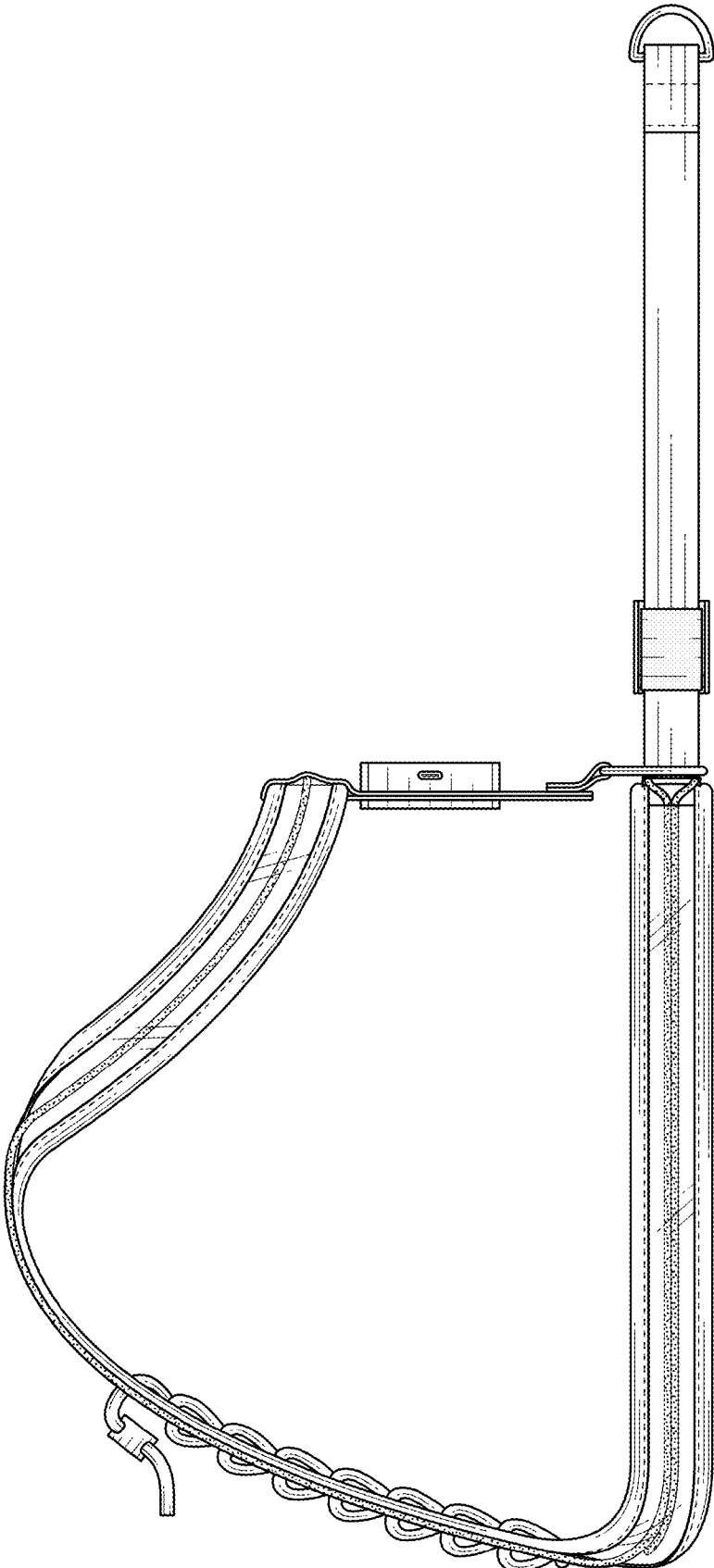


FIG. 5

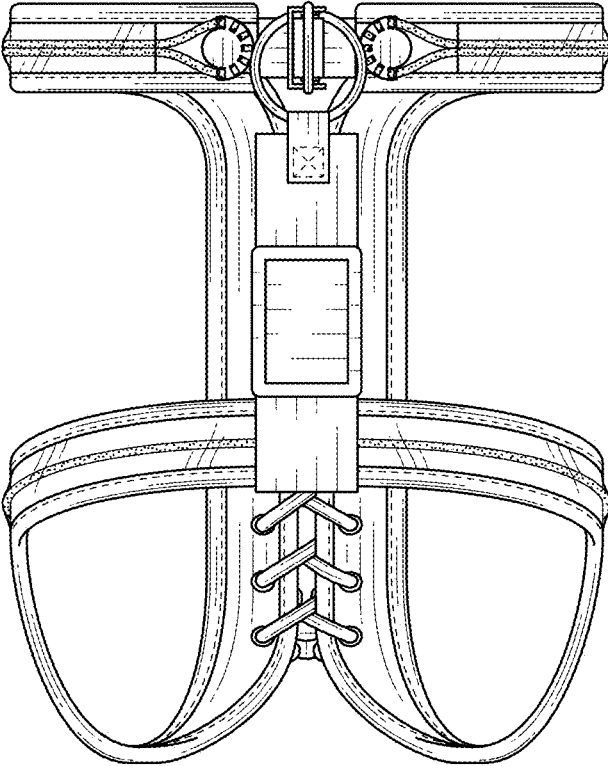


FIG. 6

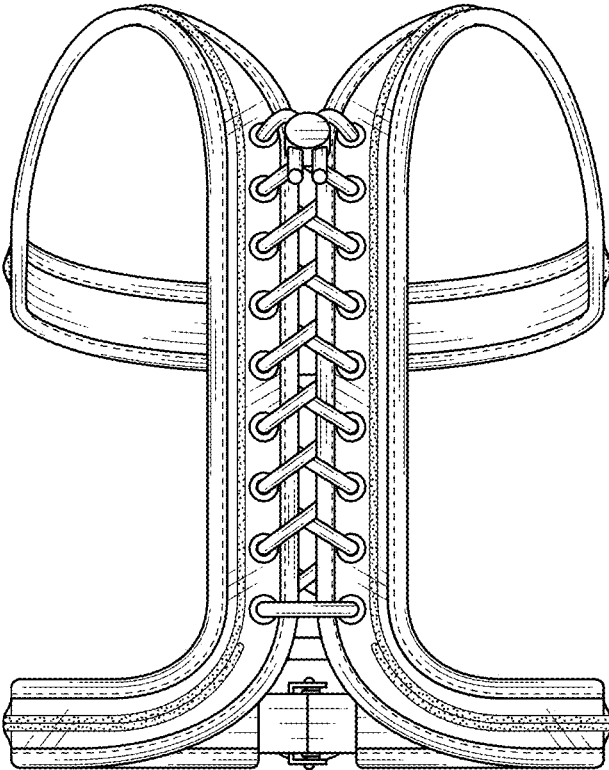


FIG. 7

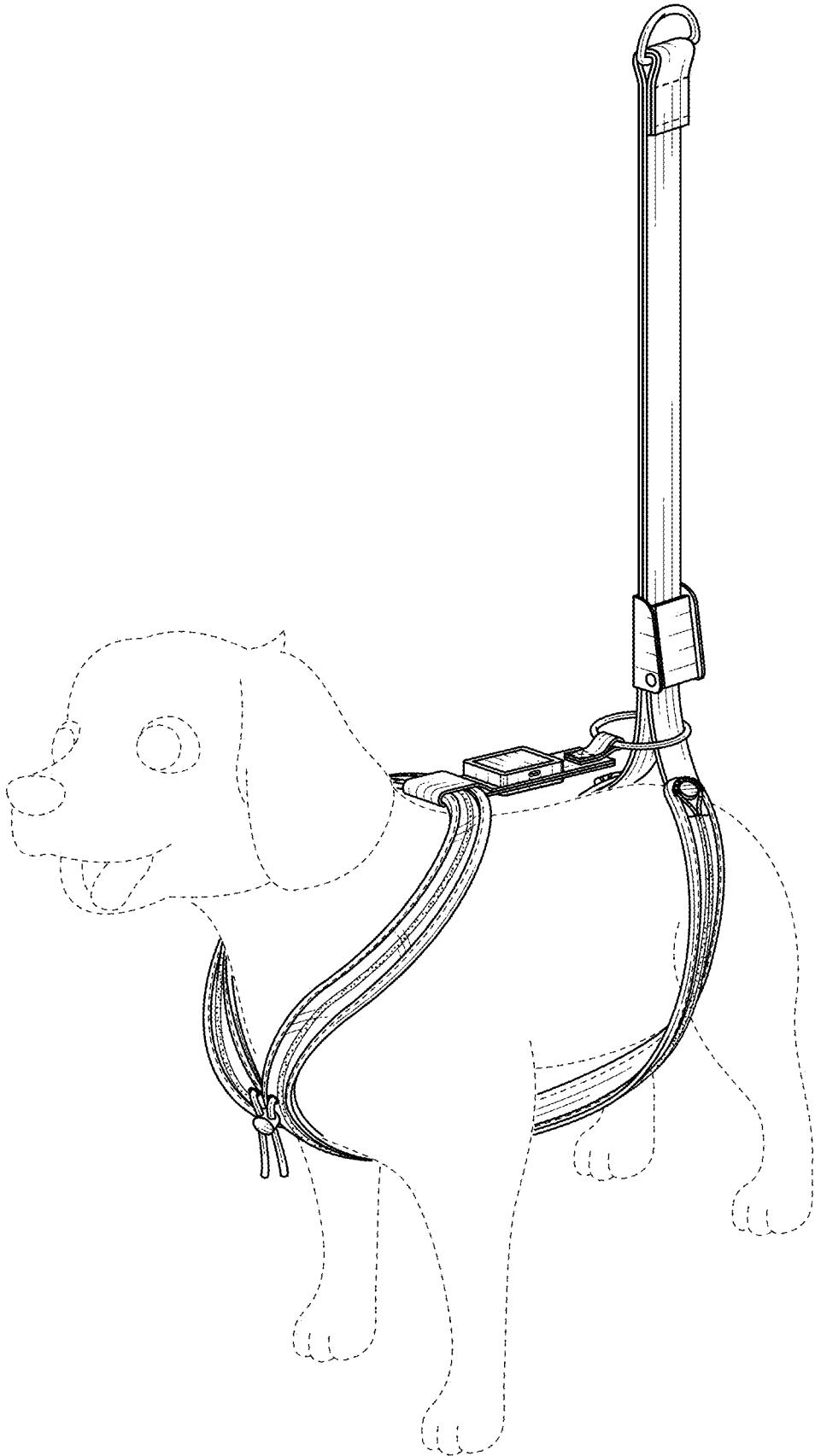


FIG. 8



FIG. 9

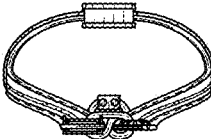


FIG. 10

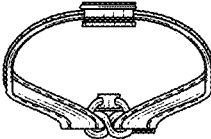


FIG. 11

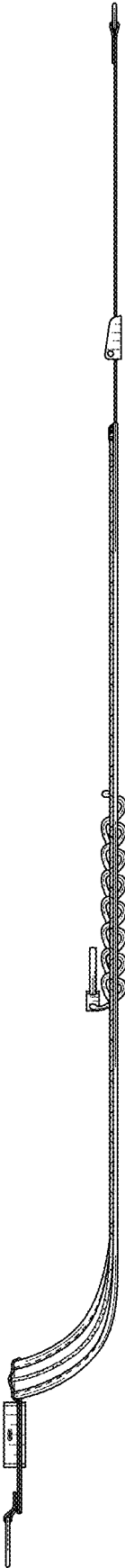


FIG. 12

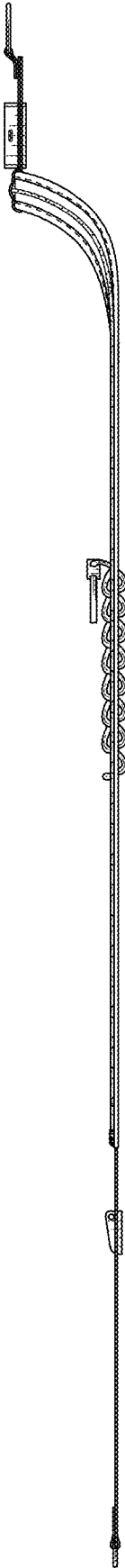


FIG. 13

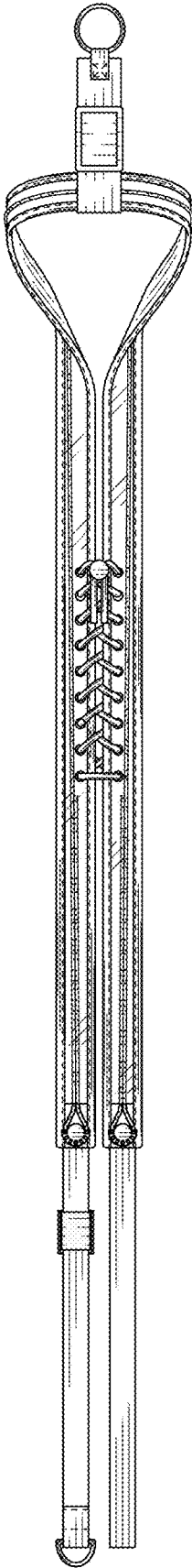


FIG. 14

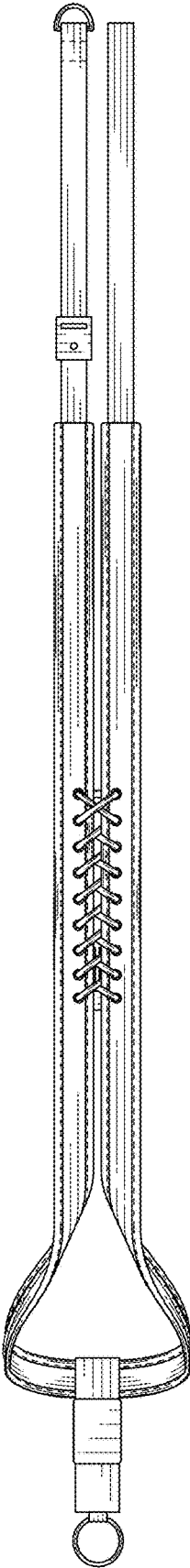


FIG. 15