



US00D407686S

United States Patent [19]
Read

[11] **Patent Number:** **Des. 407,686**
[45] **Date of Patent:** ****Apr. 6, 1999**

[54] **POWER SUPPLY AND BATTERY HOUSING**
[75] Inventor: **Clifford Dean Read**, Stittsville, Canada
[73] Assignee: **Northern Telecom Limited**, Montreal, Canada
[**] Term: **14 Years**

[21] Appl. No.: **89,909**
[22] Filed: **Jun. 25, 1998**

[51] **LOC (6) Cl.** **13-02**
[52] **U.S. Cl.** **D13/110; D13/103**
[58] **Field of Search** D13/110, 103,
D13/184; 307/150; 429/100, 96-99

[56] **References Cited**
U.S. PATENT DOCUMENTS

D. 131,314	2/1942	Zelt	D13/110
D. 331,385	12/1992	Oka	D13/110
D. 375,483	11/1996	Tashiro	D13/110
D. 377,339	1/1997	Beruscha et al.	D13/184

5,603,456	2/1997	Cargin, Jr. et al.	429/7 X
5,739,464	4/1998	Adkins et al.	174/50

Primary Examiner—Joel Sincavage

[57] **CLAIM**

The ornamental design for a power supply and battery housing, as shown and described.

DESCRIPTION

FIG. 1 is a front perspective view of the power supply and battery housing from above and the right end;
FIG. 2 is a rear perspective view thereof from above and the right end;
FIG. 3 is a front perspective view thereof from below and the right end;
FIG. 4 is a front elevation thereof;
FIG. 5 is a left end elevation thereof;
FIG. 6 is a right end elevation thereof;
FIG. 7 is a plan view thereof; and,
FIG. 8 is an underneath plan view thereof.

1 Claim, 3 Drawing Sheets

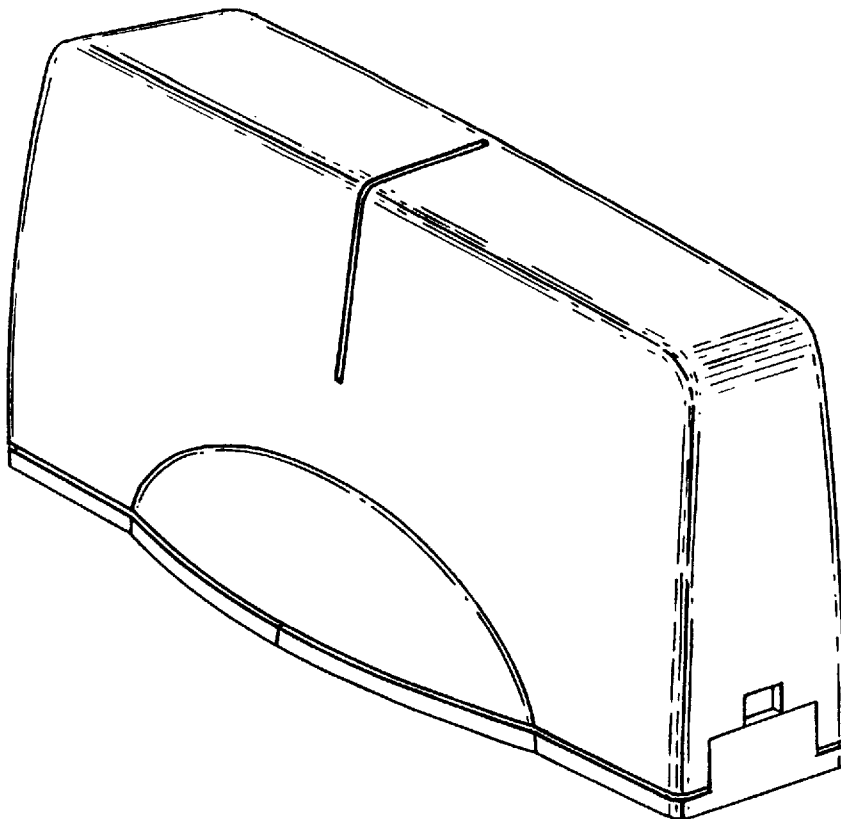


FIG. 1

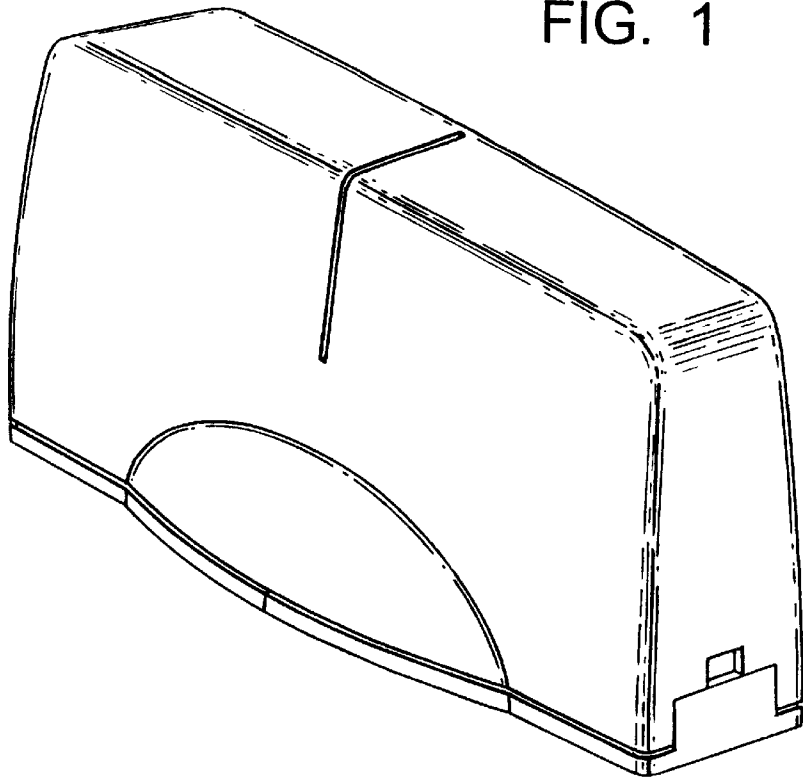
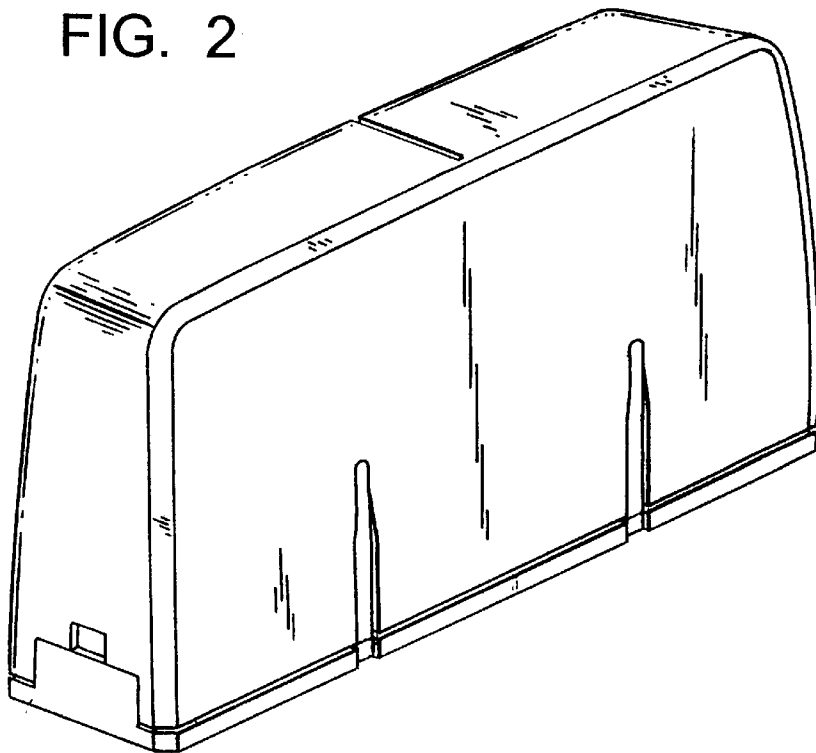


FIG. 2



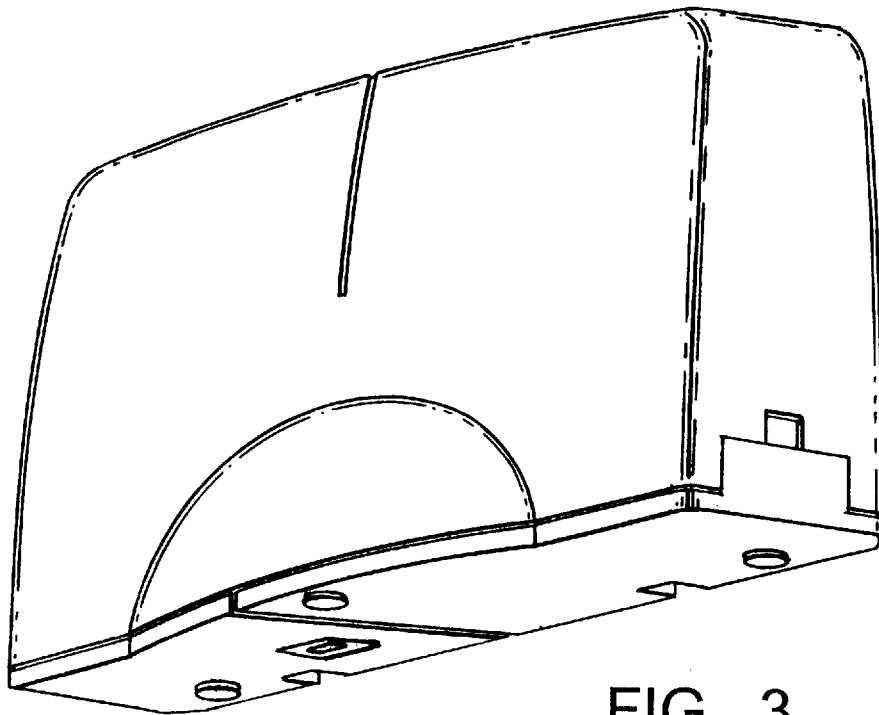


FIG. 3

FIG. 4

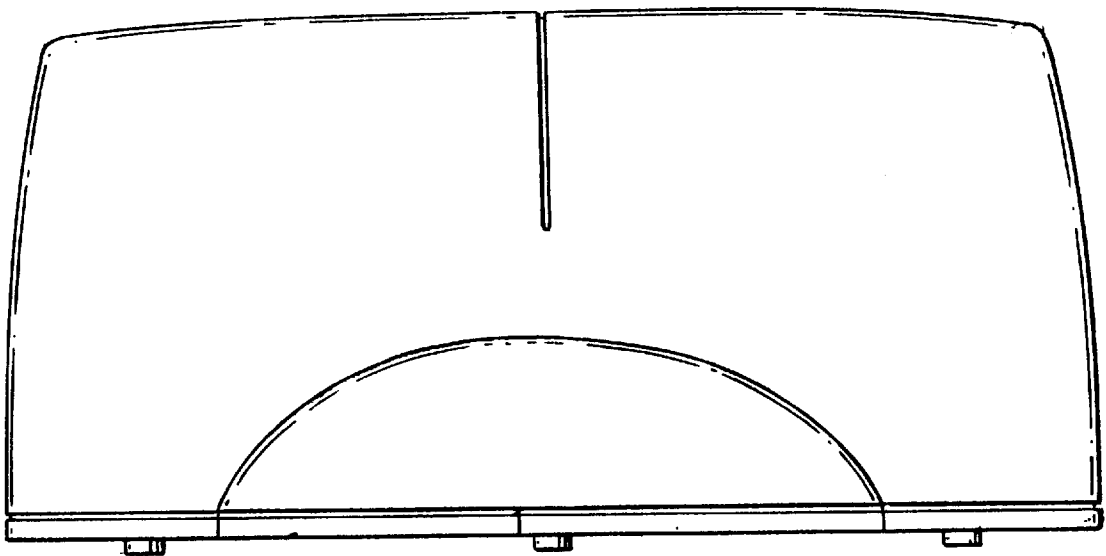


FIG. 5

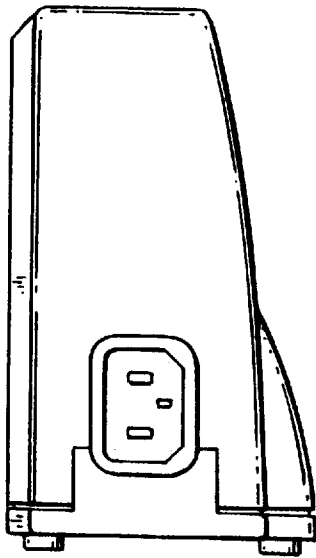


FIG. 6

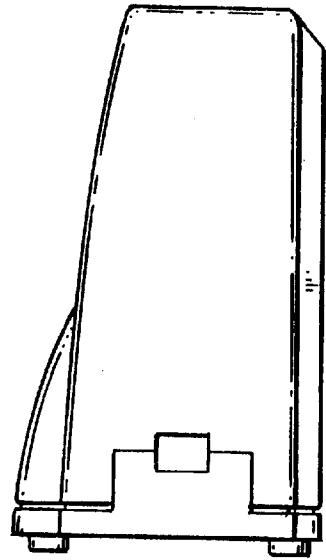


FIG. 7

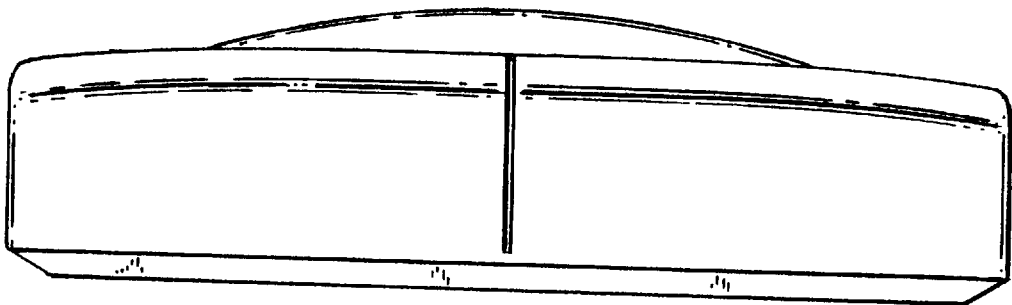


FIG. 8

