



US00D855409S

(12) **United States Design Patent**
Delkic

(10) **Patent No.:** **US D855,409 S**

(45) **Date of Patent:** **** Aug. 6, 2019**

(54) **BEER BARREL HOLDER**

(71) Applicant: **Eniz Delkic**, Langenfeld (DE)

(72) Inventor: **Eniz Delkic**, Langenfeld (DE)

(**) Term: **15 Years**

(21) Appl. No.: **29/639,452**

(22) Filed: **Mar. 6, 2018**

(30) **Foreign Application Priority Data**

Sep. 7, 2007 (EM) 004246205-0001

(51) **LOC (12) Cl.** **07-07**

(52) **U.S. Cl.**
USPC **D7/602**

(58) **Field of Classification Search**

USPC D28/38, 73; 220/737; D6/552, 403,
D6/681-681.1, 522-524;
248/117.1-117.5, 133, 176.1-176.2,
248/178.1; D9/751-753; 452/12;
D20/21; D7/372-373, 399, 682, 414,
D7/674, 679, 300, 306-309, 311, 602;
D10/87-93
CPC A45D 20/14; A45D 44/14; A45D 20/12;
A45D 20/124; A45D 2020/126; A45D
2020/128; A45D 27/29; A45D 20/122;
A45D 33/006; A45D 2200/25; A47G
23/02; A47B 73/00; A61K 8/022; A61K
2800/10; A61K 2800/80; G01G 19/44;
G01G 19/50

See application file for complete search history.

(56) **References Cited**

U.S. PATENT DOCUMENTS

D47,948 S * 10/1915 Courtney D7/311
D113,725 S * 3/1939 Titus D7/311
D125,435 S * 2/1941 Swann D7/311
D128,648 S * 8/1941 Titus D7/311

D138,363 S * 7/1944 Giuriati D7/308
D181,266 S * 10/1957 Alvarez D7/311
D186,287 S * 10/1959 Lauve D10/90
D250,756 S * 1/1979 Joss D10/93
D281,403 S * 11/1985 Zeigler D10/93

(Continued)

FOREIGN PATENT DOCUMENTS

CN 304904639 * 11/2018
CN 304904642 * 11/2018

(Continued)

Primary Examiner — Shannon W Morgan

Assistant Examiner — Altaira J Swangin

(74) *Attorney, Agent, or Firm* — Lawrence G. Fridman,
Esq; Feigin & Fridman, LLC

(57) **CLAIM**

The ornamental design for a beer barrel holder, as shown and described.

DESCRIPTION

FIG. 1 is a front perspective view of a beer barrel holder showing my new design;

FIG. 2 is a side perspective view thereof;

FIG. 3 is a front elevation view thereof;

FIG. 4 is a rear elevation view thereof;

FIG. 5 is a right side elevational view thereof;

FIG. 6 is a left side elevational view thereof;

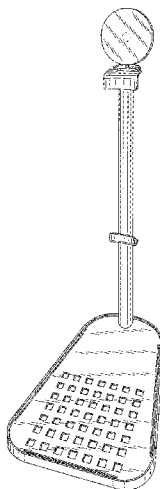
FIG. 7 is a top plan view thereof;

FIG. 8 is a bottom plan view thereof;

FIG. 9 is another left side elevation view showing the beer barrel holder of FIGS. 1-8 in an open position thereof; and, FIG. 10 is another left side elevational view showing the beer barrel holder of FIGS. 1-8.

The broken lines in FIGS. 1-3 depict portions of the beer barrel holder that form no part of the claimed design. The broken lines in FIG. 10, showing a barrel, depict environment and form no part of the claimed design.

1 Claim, 9 Drawing Sheets



(56)

References Cited

U.S. PATENT DOCUMENTS

D305,993 S * 2/1990 Carnevale D10/93
 4,923,024 A * 5/1990 Ferrer A61B 5/1072
 177/245
 D325,541 S * 4/1992 Storsberg D10/93
 D418,766 S * 1/2000 Cappiello D10/92
 D440,458 S * 4/2001 Ohu D7/300
 6,646,209 B2 * 11/2003 Montagnino G01G 19/44
 177/126
 D489,930 S * 5/2004 Tse D7/306
 D506,155 S * 6/2005 Montagnino D10/93
 D511,982 S * 11/2005 Koberling D10/93
 D513,476 S * 1/2006 Koberling D10/93
 D531,457 S * 11/2006 Gold D7/589
 7,200,952 B2 * 4/2007 Montagnino A61B 5/0537
 33/512
 D563,142 S * 3/2008 Kauer D7/306
 D587,152 S * 2/2009 Scholpp D10/92
 D587,153 S * 2/2009 Scholpp D10/92
 D592,535 S * 5/2009 Li D10/93
 D610,930 S * 3/2010 Scholpp D10/92
 D625,137 S * 10/2010 Sabadicci D7/300
 D628,503 S * 12/2010 Kasano D10/93
 D639,192 S * 6/2011 Li D10/93
 D645,368 S * 9/2011 Shiloh D10/93

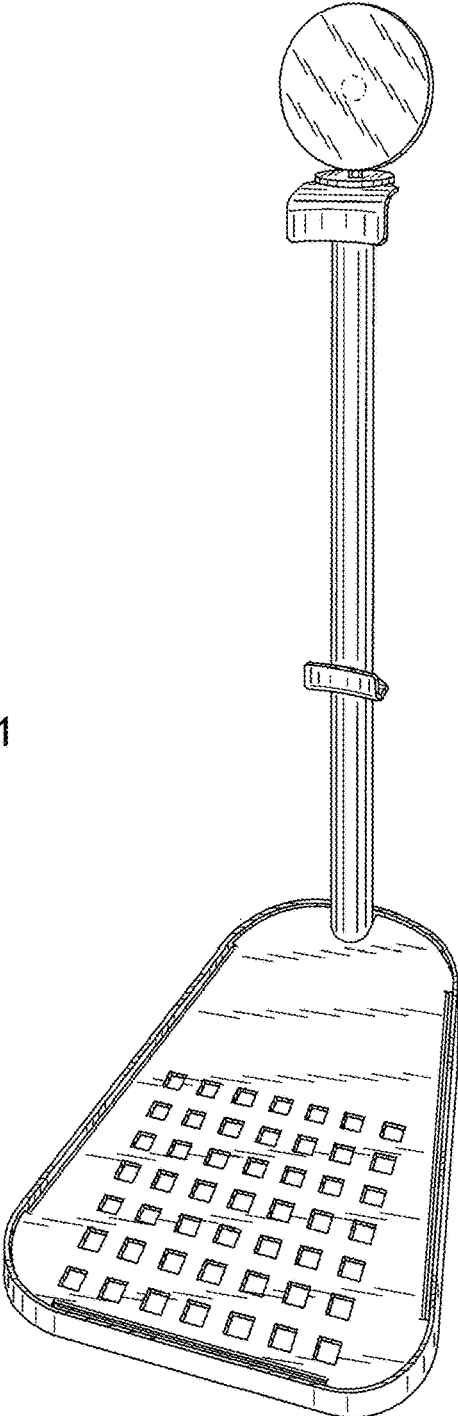
D645,370 S * 9/2011 Rhein D10/93
 D690,992 S * 10/2013 Ball D7/399
 D769,672 S * 10/2016 Gallagher D7/397
 D775,890 S * 1/2017 Gallagher D7/397
 D780,500 S * 3/2017 Bambi D7/309
 9,775,474 B2 * 10/2017 Holguin A47K 10/48
 D813,597 S * 3/2018 Gallagher D7/397
 D813,598 S * 3/2018 Gallagher D7/397
 D813,599 S * 3/2018 Gallagher D7/397
 D819,471 S * 6/2018 Essex D10/93
 10,066,786 B1 * 9/2018 Cox F16M 13/04
 D833,195 S * 11/2018 McDonald D7/306
 D834,869 S * 12/2018 Ljungh D7/306
 2015/0330613 A1 * 11/2015 Louden B65D 25/00
 362/410
 2015/0346019 A1 * 12/2015 Von Maydell G01G 19/50
 177/1
 2017/0353711 A1 * 12/2017 Wayenberg G01G 19/50

FOREIGN PATENT DOCUMENTS

CN 304904647 * 11/2018
 DE 202007000462 U1 7/2007
 KR 300893310.0000 * 2/2017
 KR 300926059.0000 * 10/2017
 KR 300932264.0000 * 11/2017

* cited by examiner

FIG. 1



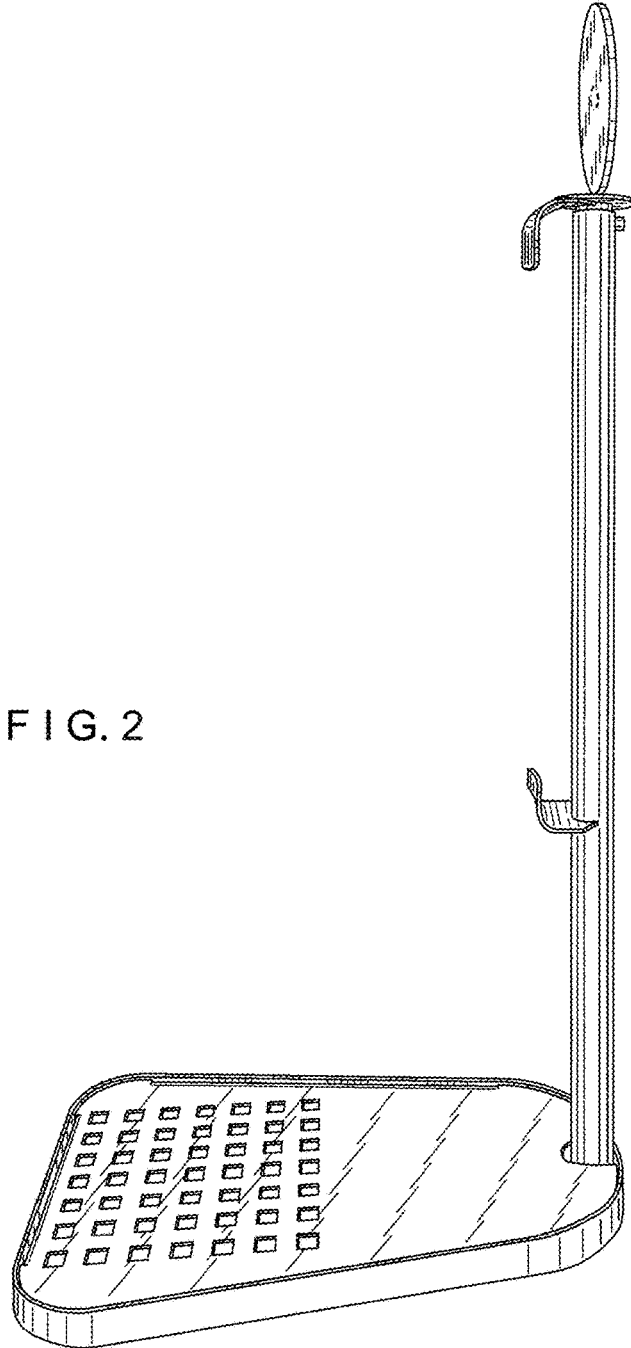


FIG. 2

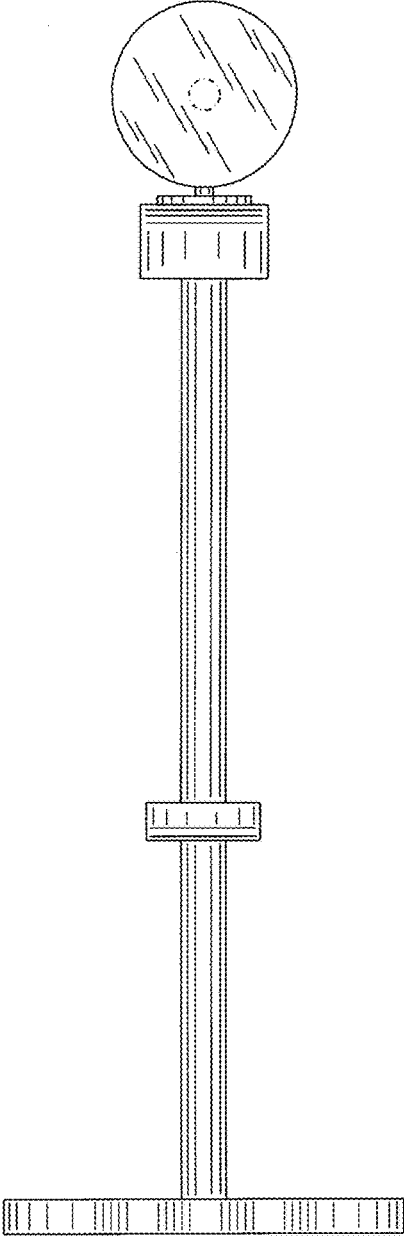


FIG. 3

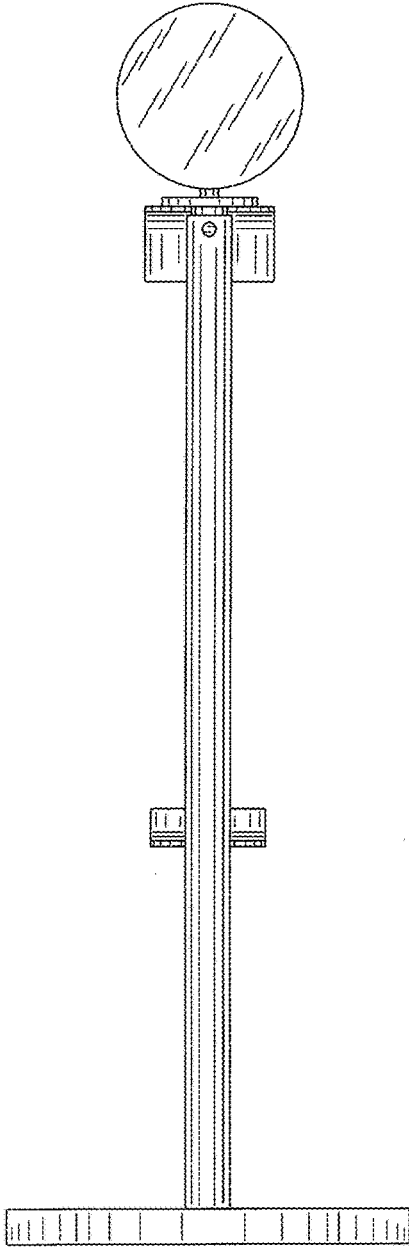


FIG. 4

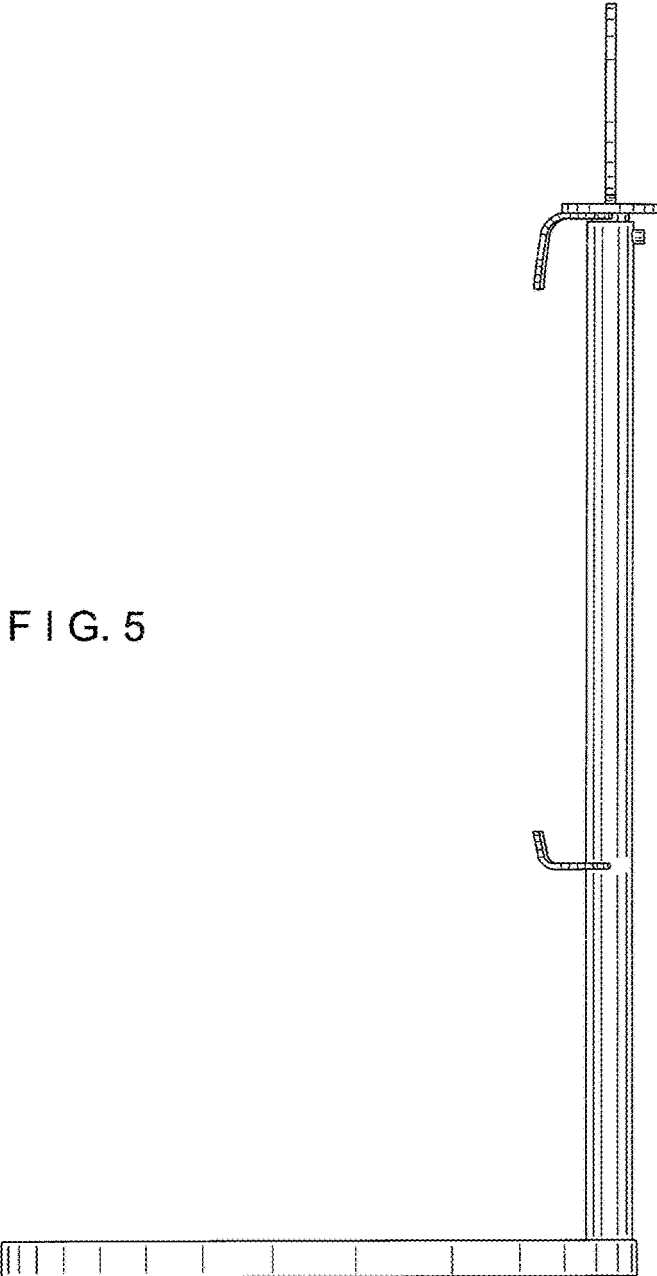


FIG. 5

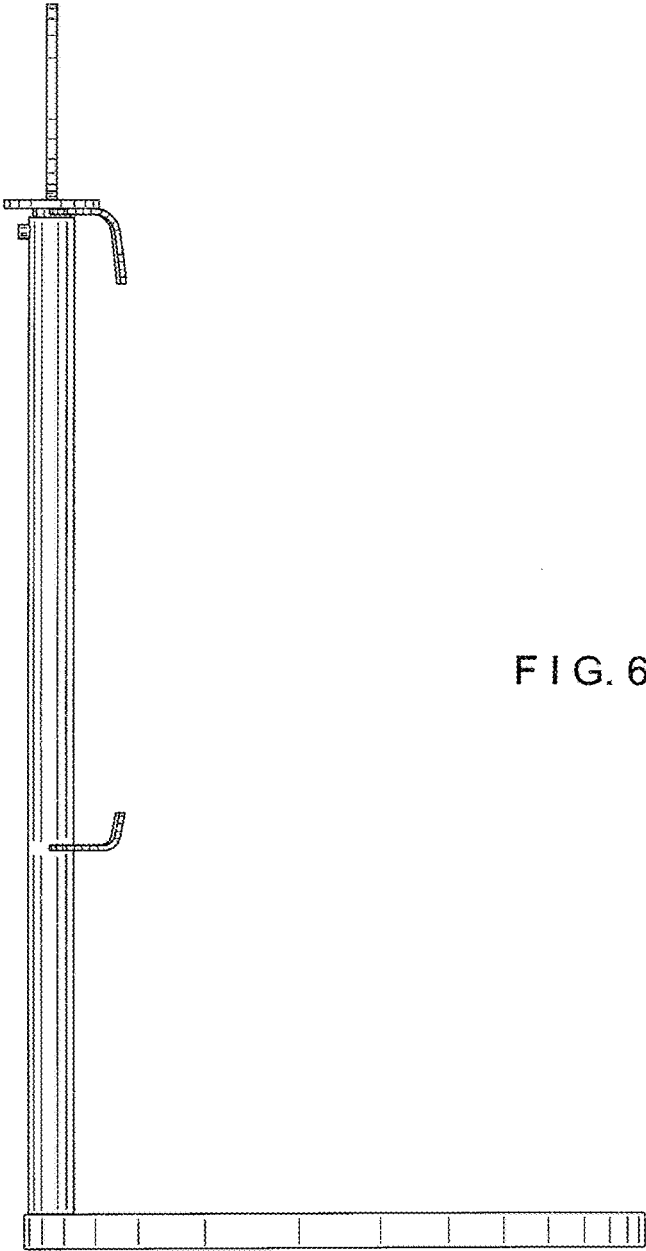


FIG. 6

FIG. 7

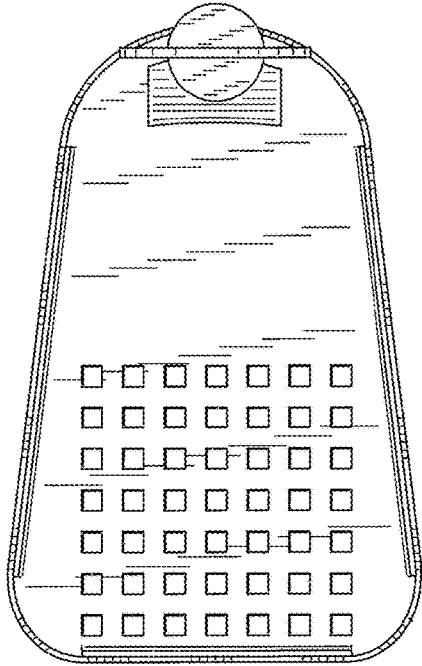
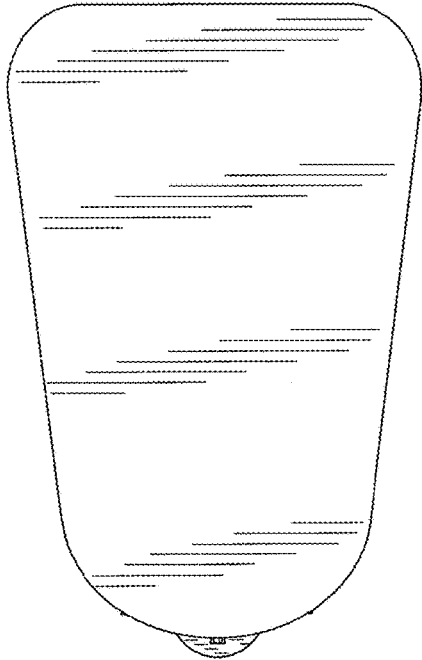


FIG. 8



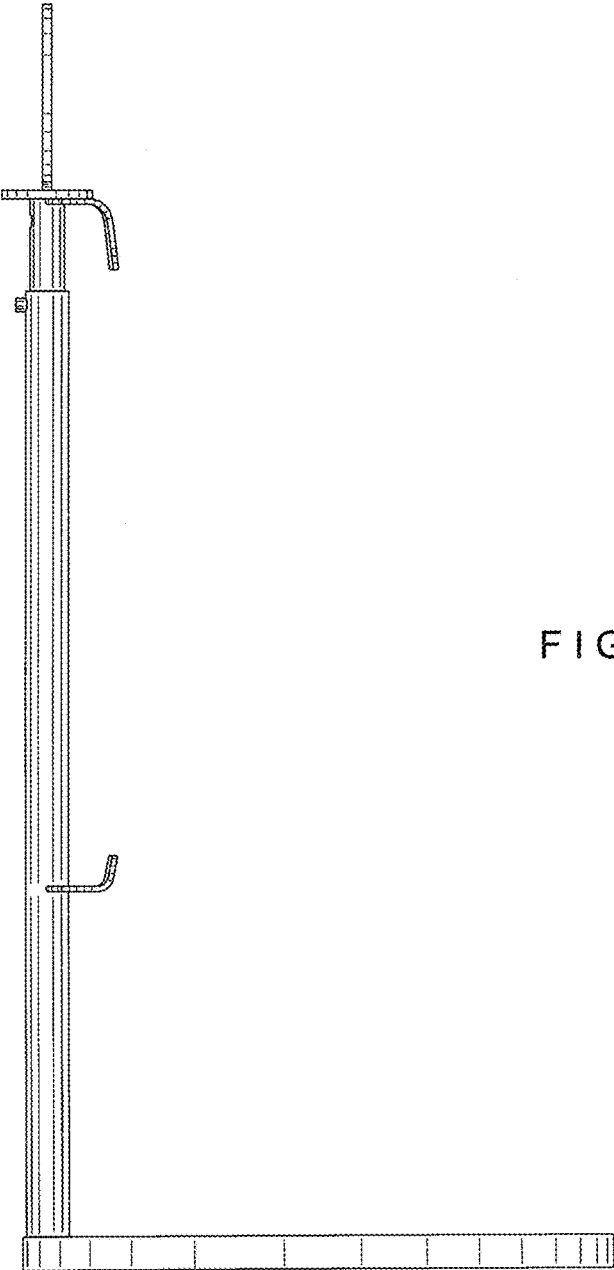


FIG. 9

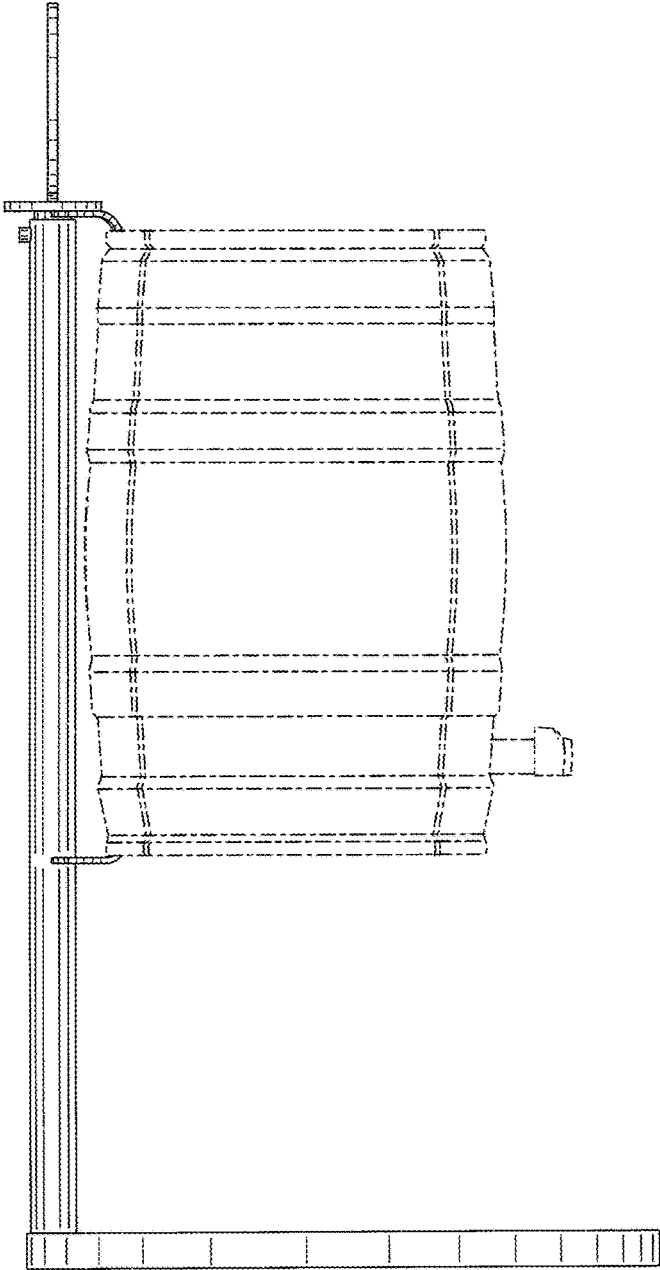


FIG. 10