



US00D712142S

(12) **United States Design Patent**
Bayley

(10) **Patent No.:** **US D712,142 S**

(45) **Date of Patent:** **** Sep. 2, 2014**

(54) **WORKSTATION LUGGAGE**

(71) Applicant: **Bruce E Bayley**, Surf City, NJ (US)

(72) Inventor: **Bruce E Bayley**, Surf City, NJ (US)

(**) Term: **14 Years**

(21) Appl. No.: **29/456,776**

(22) Filed: **Jun. 4, 2013**

(51) **LOC (10) Cl.** **03-01**

(52) **U.S. Cl.**
USPC **D3/279**

(58) **Field of Classification Search**
USPC D3/272, 276, 278, 279, 273, 274, 281,
D3/289, 321; 190/100-127, 903, 37, 39,
190/18 A, 1, 3-7
See application file for complete search history.

(56) **References Cited**

U.S. PATENT DOCUMENTS

- 6,454,064 B1 * 9/2002 Cheng 190/11
- 8,075,208 B2 * 12/2011 Green 400/94
- D683,539 S * 6/2013 Jobert D3/279

- 2004/0069583 A1 * 4/2004 Tamura 190/18 A
- 2005/0199459 A1 * 9/2005 Harvey 190/108
- 2006/0037987 A1 * 2/2006 Lin 190/1
- 2010/0187062 A1 * 7/2010 Sweeney et al. 190/1

* cited by examiner

Primary Examiner — Jennifer Rivard

(74) *Attorney, Agent, or Firm* — Stuart M. Goldstein

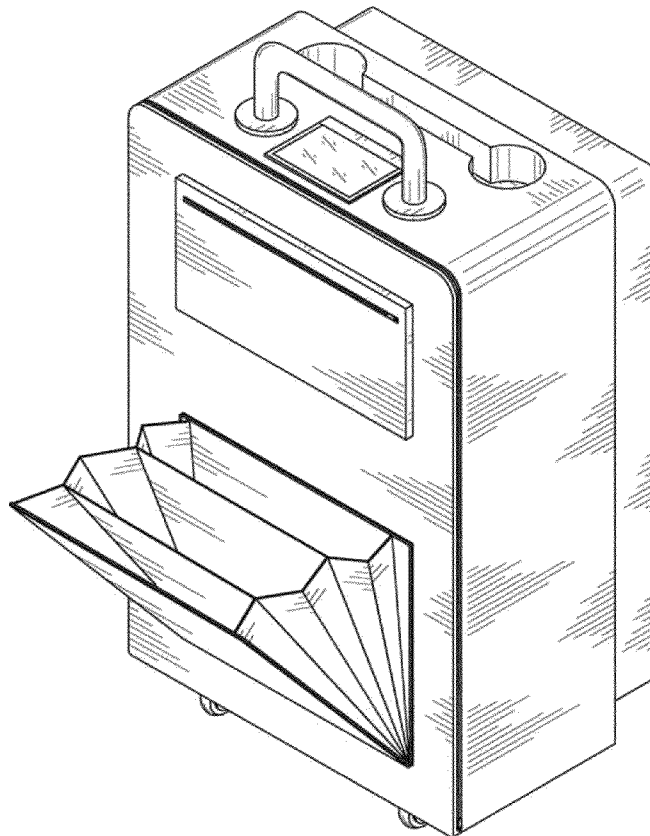
(57) **CLAIM**

The ornamental design for a workstation luggage, as shown and described.

DESCRIPTION

FIG. 1 is an isometric front view of the present invention.
 FIG. 2 is an isometric rear view of the present invention.
 FIG. 3 is a front view of the present invention.
 FIG. 4 is a rear view of the present invention.
 FIG. 5 is an elevation view of the present invention.
 FIG. 6 is the opposite view of the present invention.
 FIG. 7 is a top view of the present invention.
 FIG. 8 is a bottom view of the present invention; and,
 FIG. 9 is another isometric rear view of the present invention showing its extended folder design.

1 Claim, 6 Drawing Sheets



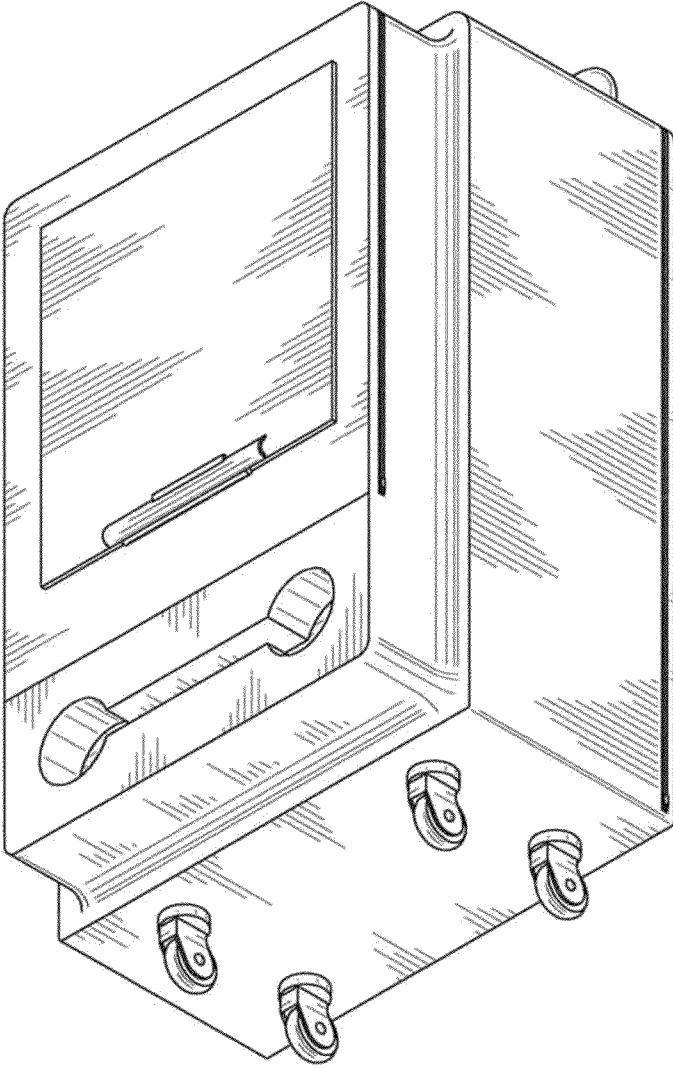


FIG. 1

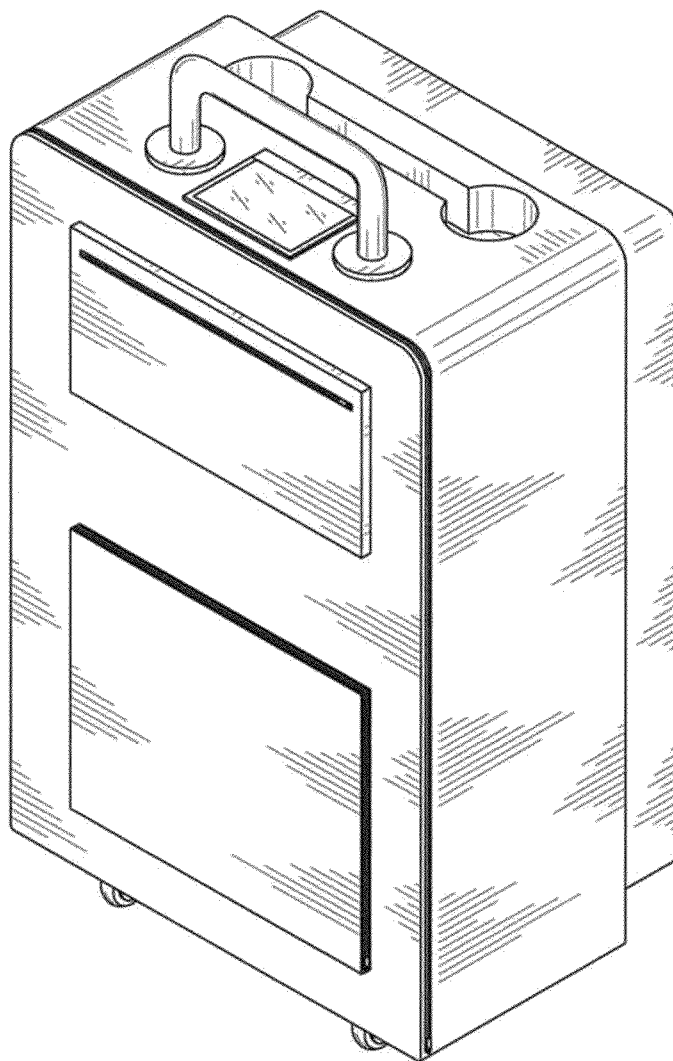


FIG. 2

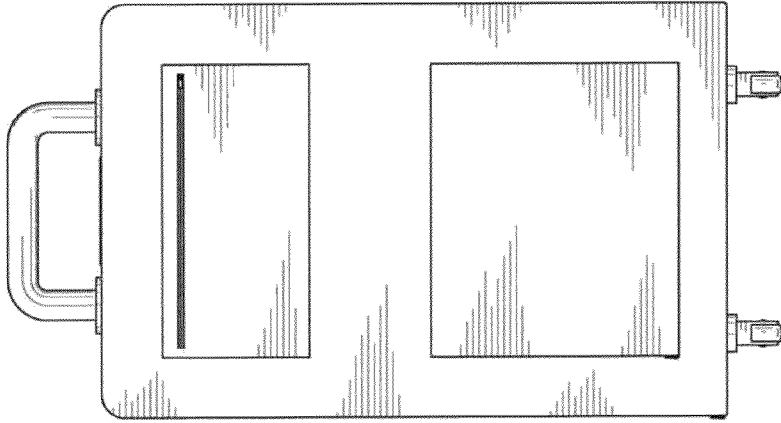


FIG. 4

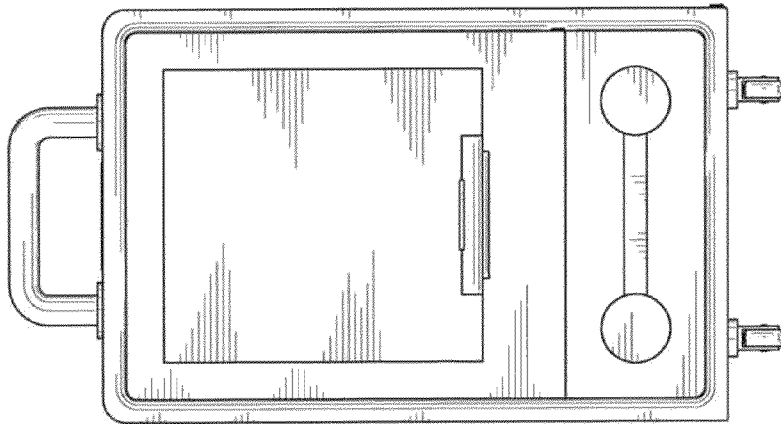


FIG. 3

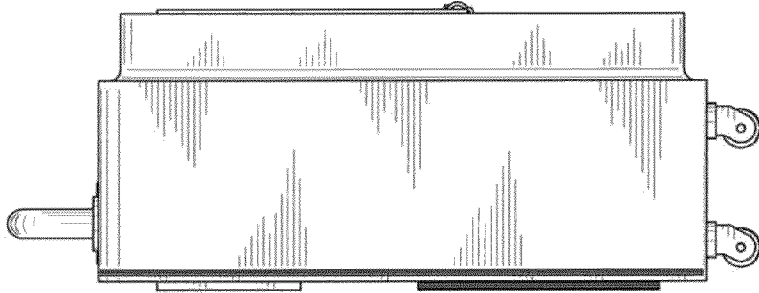


FIG. 6

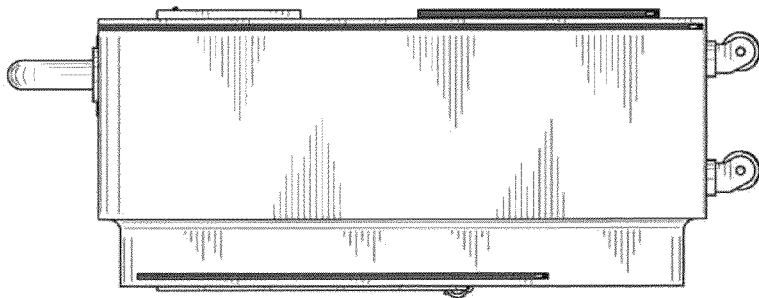


FIG. 5

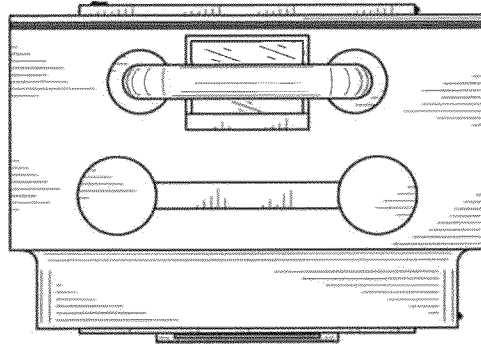


FIG. 7

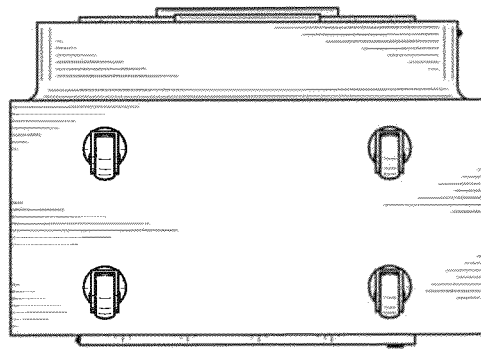


FIG. 8

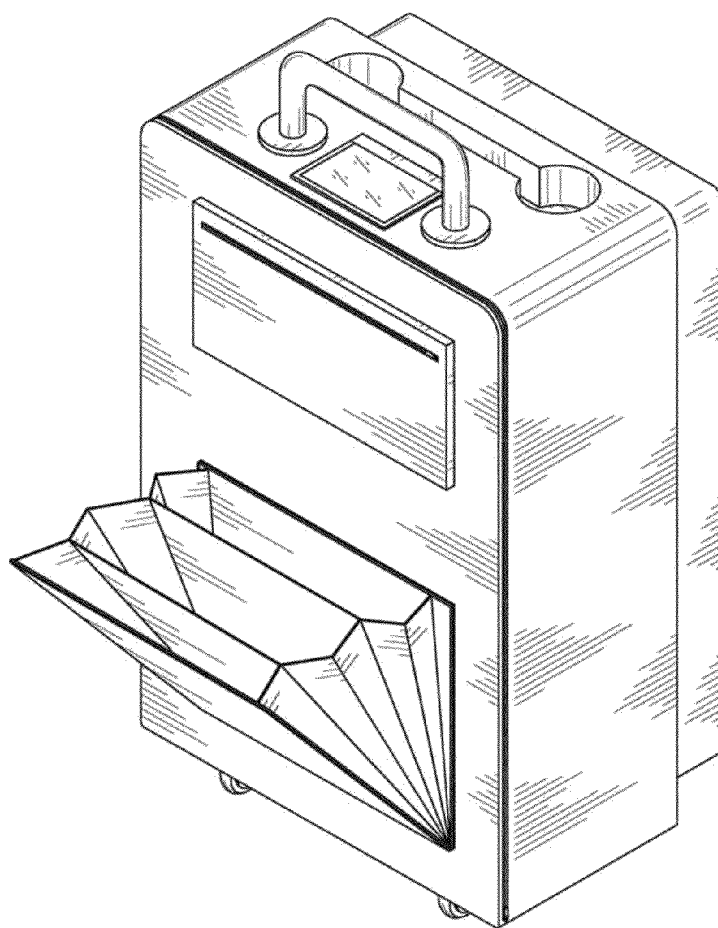


FIG. 9