



US00D735861S

(12) **United States Design Patent**
Embleton et al.

(10) **Patent No.:** **US D735,861 S**

(45) **Date of Patent:** **** Aug. 4, 2015**

(54) **QUADRUPED STIFLE STABILIZATION ASSEMBLY**

(71) Applicant: **Embark Enterprises Inc., Sundre (CA)**

(72) Inventors: **Neil Embleton, Sundre (CA); Veronica Barkowski, Sundre (CA)**

(73) Assignee: **Embark Enterprises Inc., Sundre (CA)**

(**) Term: **14 Years**

(21) Appl. No.: **29/484,500**

(22) Filed: **Mar. 10, 2014**

(51) **LOC (10) Cl.** **24-02**

(52) **U.S. Cl.**

USPC **D24/155; D24/190**

(58) **Field of Classification Search**

USPC D24/155, 190; 602/16, 21, 23, 26;
623/18.1, 39, 44; 606/70, 71, 280, 282,
606/284

CPC A61F 5/0123; A61F 2005/0167; A61F
5/0125; A61F 2002/704; A61F 2005/0139;
A61F 2/68; A61F 2002/7635; A61F 2002/701;
A61F 2002/705; A61F 2005/0179; A61F
2002/764; A61F 2/72; A61F 2002/7645;
A61F 2/64; A61F 2/80; A61M 1/101; A61M
1/1015; A61M 25/02; A61M 1/1031

See application file for complete search history.

(56) **References Cited**

U.S. PATENT DOCUMENTS

5,443,444	A *	8/1995	Pruyssers	602/26
6,033,373	A *	3/2000	Davis et al.	602/26
D463,557	S *	9/2002	Bryant et al.	D24/155
D480,141	S *	9/2003	Benirschke et al.	D24/155
D481,460	S *	10/2003	Doty et al.	D24/190
6,656,144	B1 *	12/2003	Coligado	602/16
6,764,244	B2 *	7/2004	Pansiera	403/102
D586,918	S *	2/2009	Simons	D24/155
D606,195	S *	12/2009	Eisen et al.	D24/155
D622,853	S *	8/2010	Raven, III	D24/155
D648,027	S *	11/2011	Vancelette et al.	D24/155
D652,926	S *	1/2012	Braido	D24/155

8,152,035	B2 *	4/2012	Earl	224/267
D699,351	S *	2/2014	Podgorski et al.	D24/155
D717,433	S *	11/2014	Samani et al.	D24/155
2003/0153856	A1 *	8/2003	Seligman et al.	602/26
2007/0276305	A1 *	11/2007	Kahlmeyer et al.	602/23
2009/0299244	A1 *	12/2009	Chiang et al.	602/26
2011/0054370	A1 *	3/2011	Perry	602/16
2012/0053587	A1 *	3/2012	Kiritzis	606/71
2012/0253347	A1 *	10/2012	Murashko, Jr.	606/71
2013/0041375	A1 *	2/2013	Fierlbeck et al.	606/71
2014/0214036	A1 *	7/2014	Weiner et al.	606/71
2014/0236154	A1 *	8/2014	Liao et al.	606/71
2014/0257292	A1 *	9/2014	Embleton et al.	606/71

* cited by examiner

Primary Examiner — George D Kirschbaum

Assistant Examiner — Jennifer Watkins

(74) *Attorney, Agent, or Firm* — McCarter & English, LLP

(57) **CLAIM**

What is claimed is the ornamental design for a quadruped stifle stabilization assembly, and components thereof, as shown and described.

DESCRIPTION

FIG. 1 is a perspective view of a quadruped stifle stabilization assembly;

FIG. 2 is a front view of the system of FIG. 1;

FIG. 3 is a back view of the system of FIG. 1;

FIG. 4 is a right view of the system of FIG. 1;

FIG. 5 is a left view of the system of FIG. 1;

FIG. 6 is a top view of the system of FIG. 1;

FIG. 7 is a bottom view of the system of FIG. 1;

FIG. 8 is a perspective view of a femoral component of the quadruped stifle stabilization assembly of FIG. 1;

FIG. 9 is a front view of the femoral component of FIG. 8;

FIG. 10 is a back view of the femoral component of FIG. 8;

FIG. 11 is a right view of the femoral component of FIG. 8;

FIG. 12 is a left view of the femoral component of FIG. 8;

FIG. 13 is a top view of the femoral component of FIG. 8;

FIG. 14 is a bottom view of the femoral component of FIG. 8;

FIG. 15 is a perspective view of an articular sliding insert component of the assembly of FIG. 1;

FIG. 16 is a front view of the insert component of FIG. 15;

FIG. 17 is a back view of the insert component of FIG. 15;

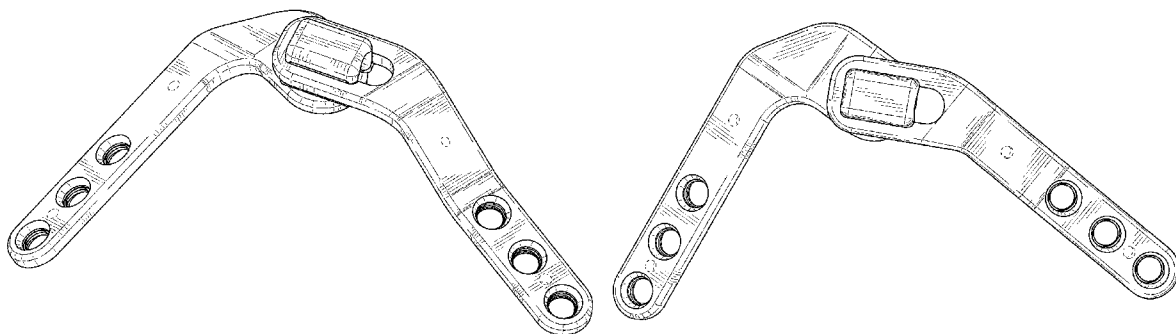


FIG. 18 is a right view of the insert component of FIG. 15;
FIG. 19 is a left view of the insert component of FIG. 15;
FIG. 20 is a top view of the insert component of FIG. 15;
FIG. 21 is a bottom view of the insert component of FIG. 15;
FIG. 22 is a perspective view of a tibial component of the assembly of FIG. 1;
FIG. 23 is a front view of the tibial component of FIG. 22;
FIG. 24 is a back view of the tibial component of FIG. 22;

FIG. 25 is a right view of the tibial component of FIG. 22;
FIG. 26 is a left view of the tibial component of FIG. 22;
FIG. 27 is a top view of the tibial component of FIG. 22; and,
FIG. 28 is a bottom view of the tibial component of FIG. 22.
The broken line showing of a quadruped stifle stabilization assembly is for the purpose of illustrating portions of the article and forms no part of the claim.

1 Claim, 12 Drawing Sheets

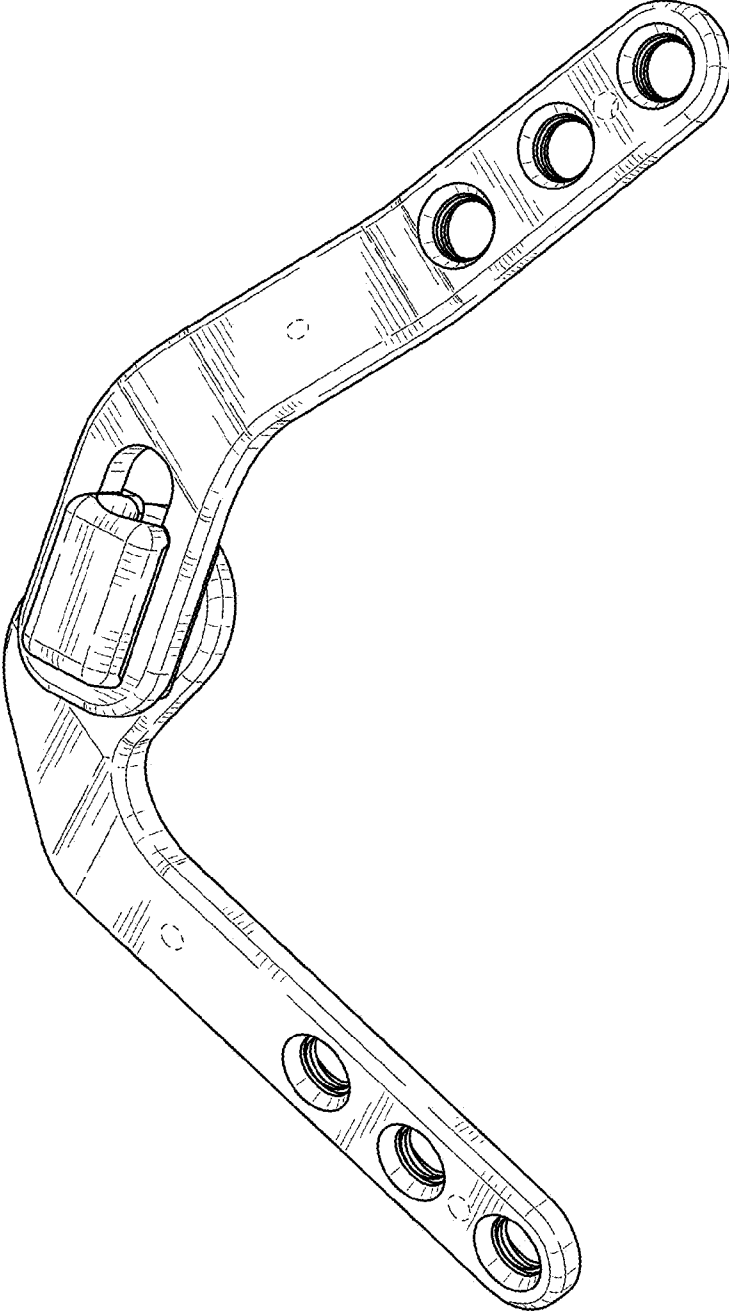


FIG. 1

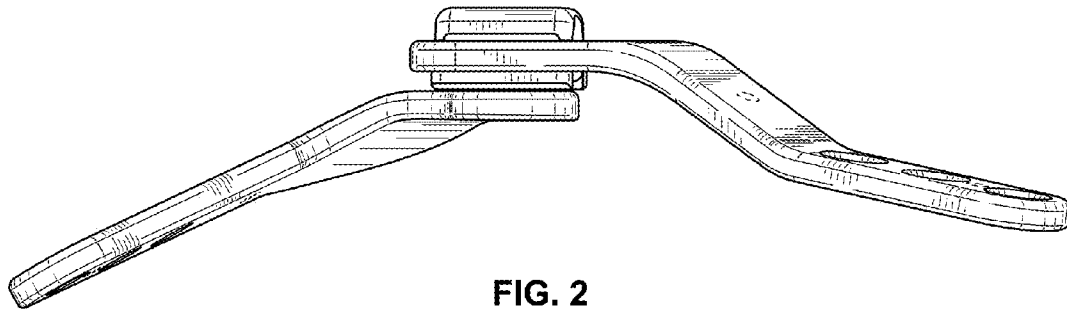


FIG. 2

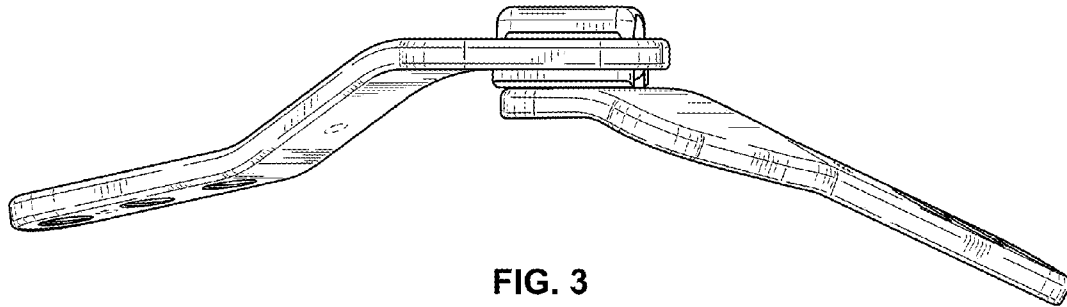


FIG. 3

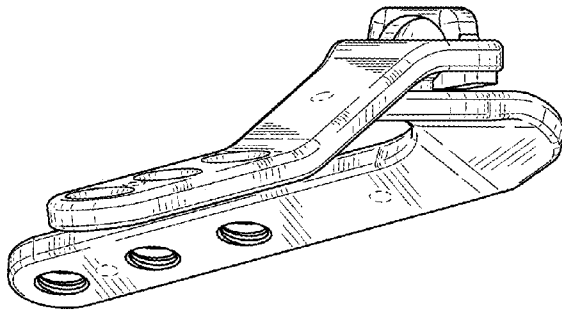


FIG. 4

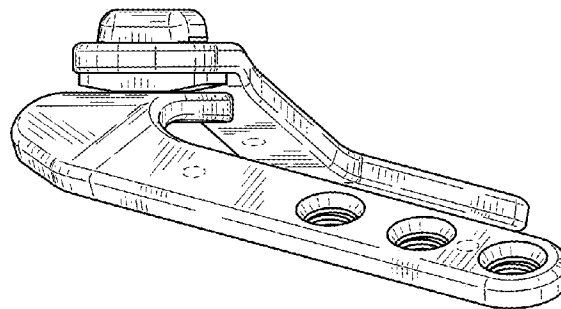


FIG. 5

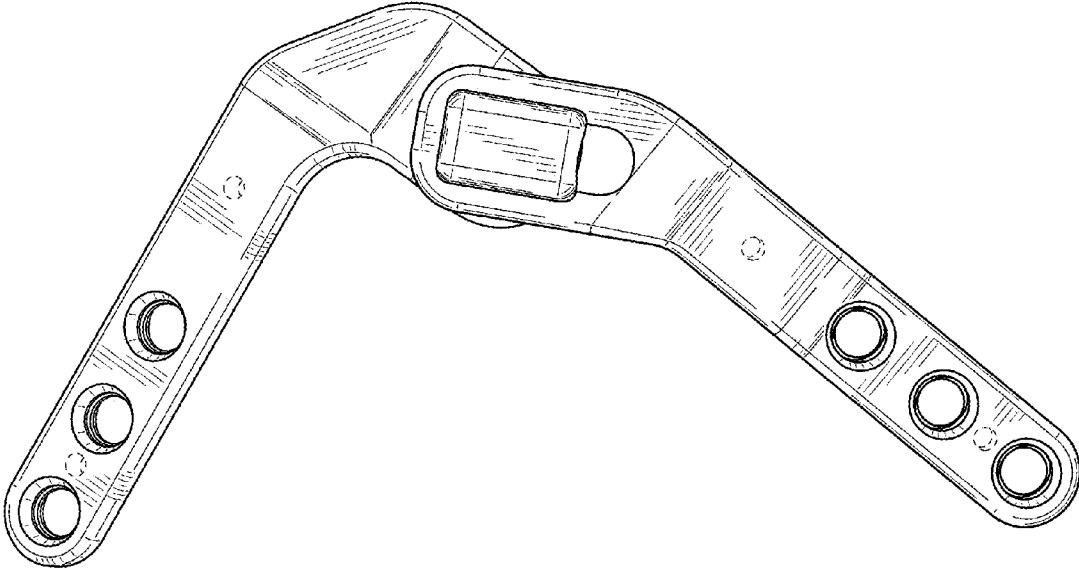


FIG. 6

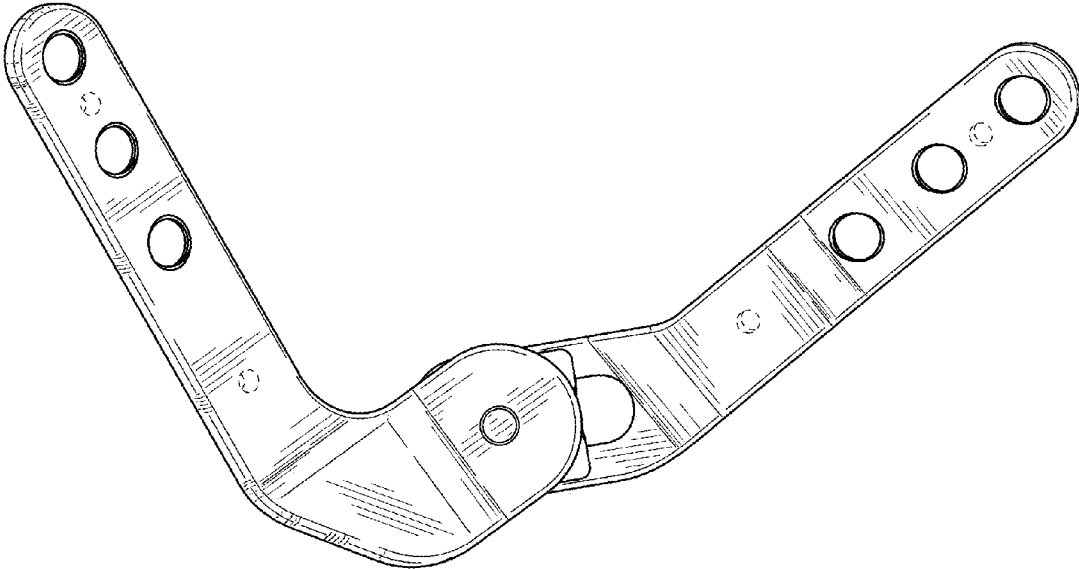


FIG. 7

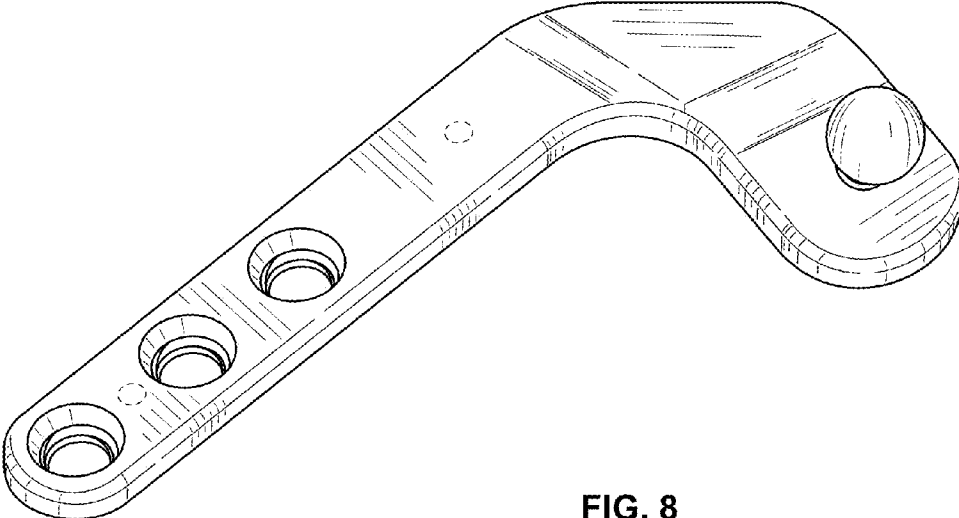


FIG. 8

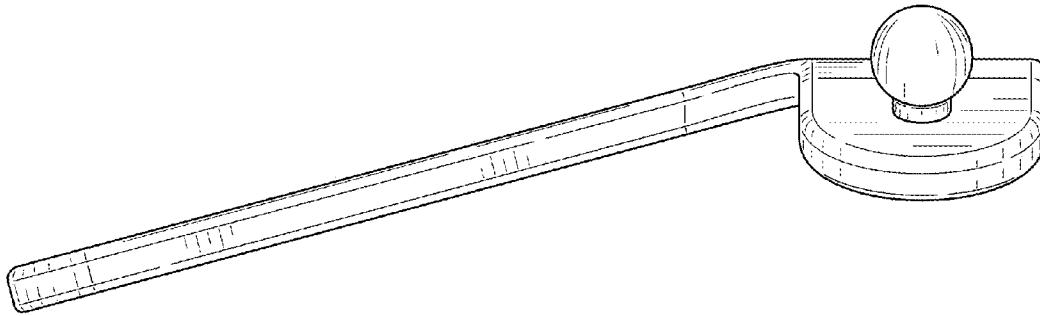


FIG. 9

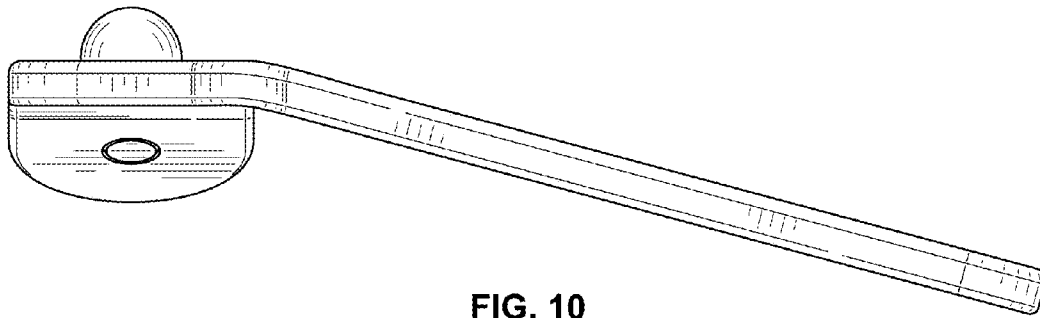


FIG. 10

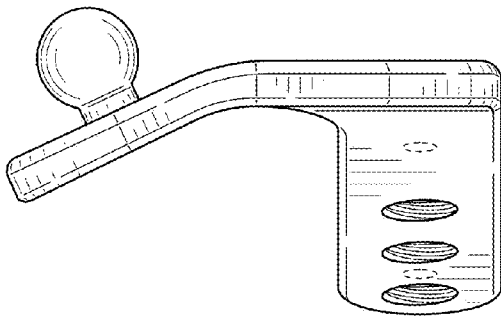


FIG. 11

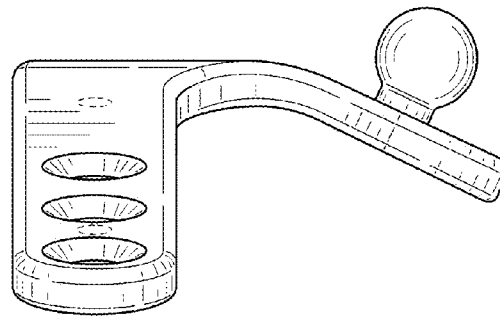


FIG. 12

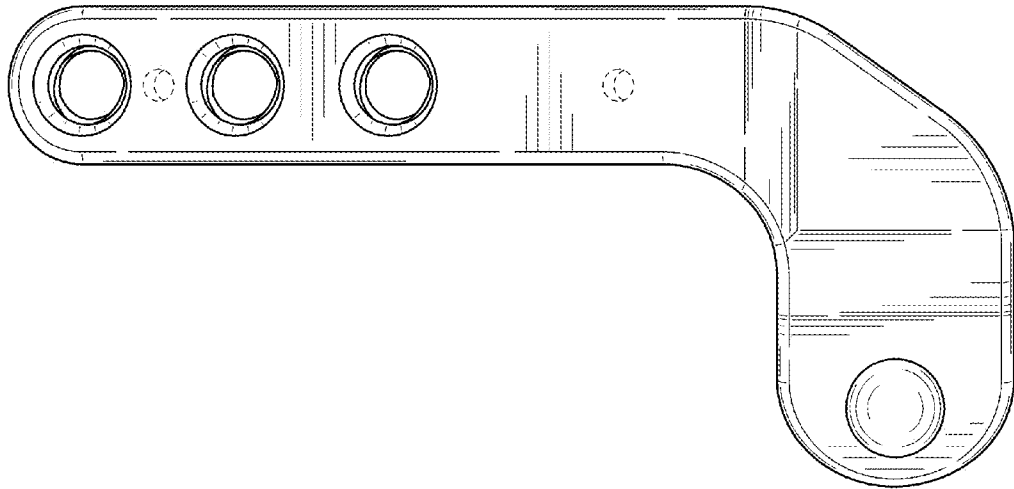


FIG. 13

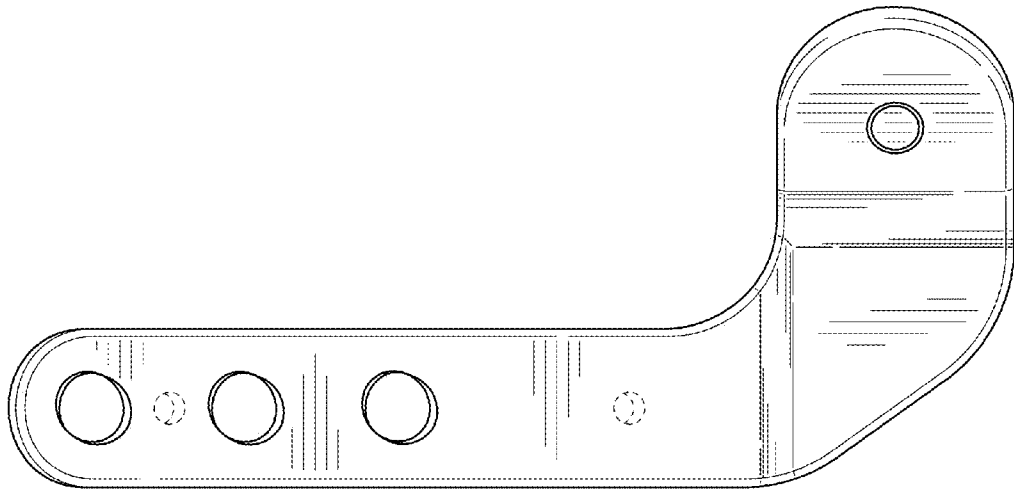


FIG. 14

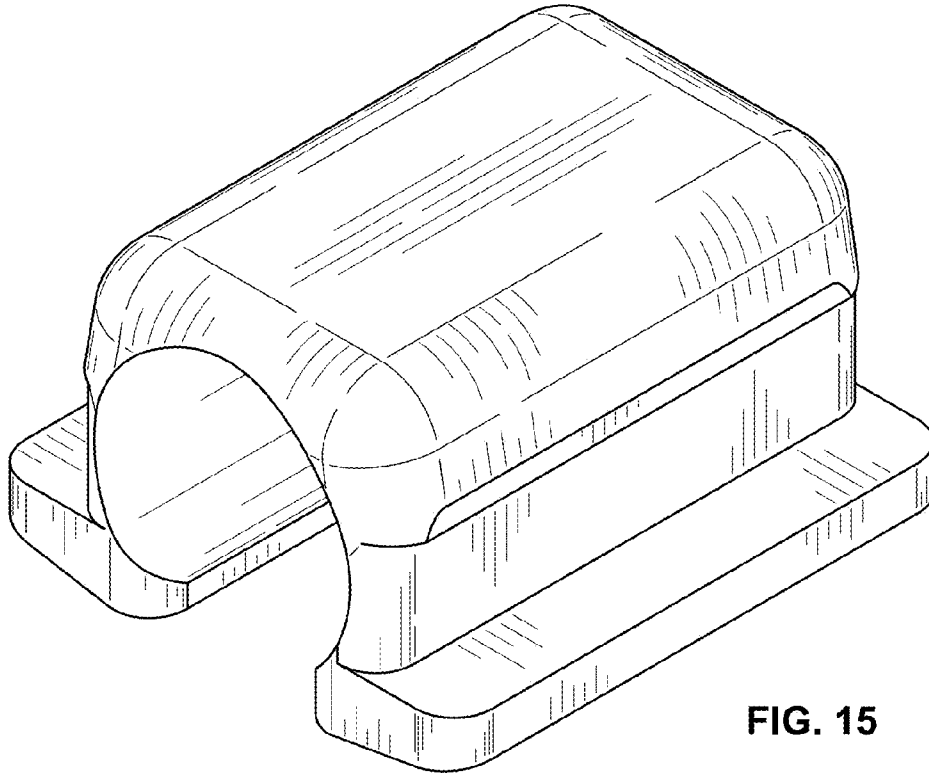


FIG. 15

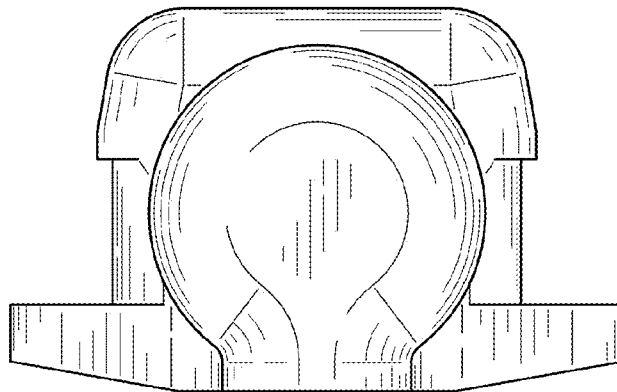


FIG. 16

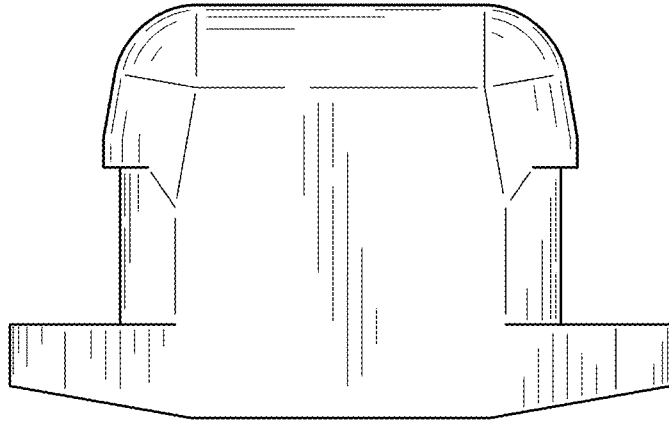


FIG. 17

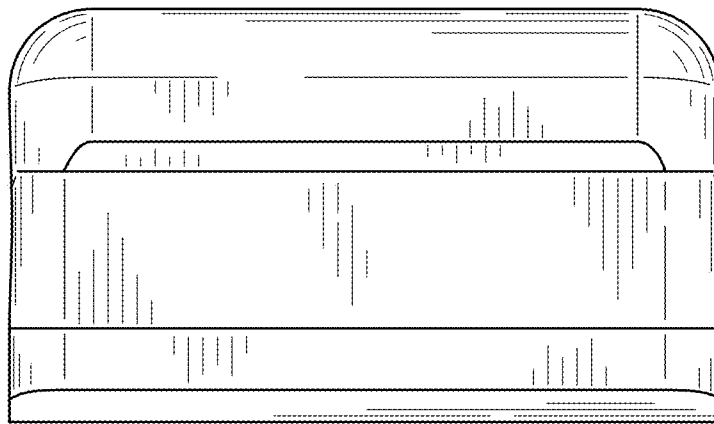


FIG. 18

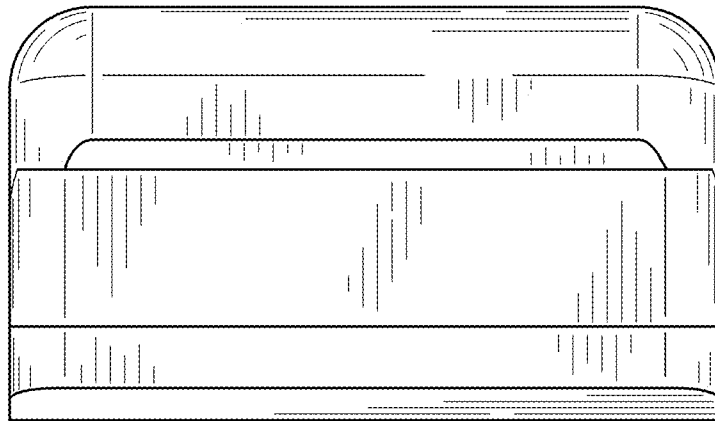


FIG. 19

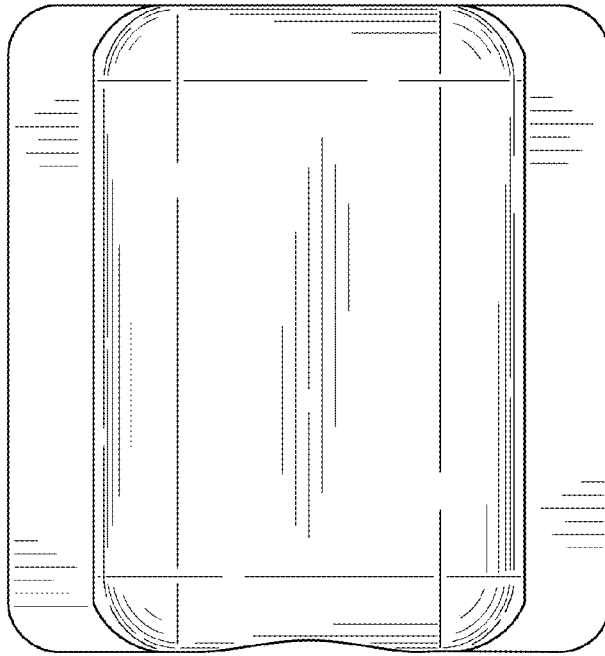


FIG. 20

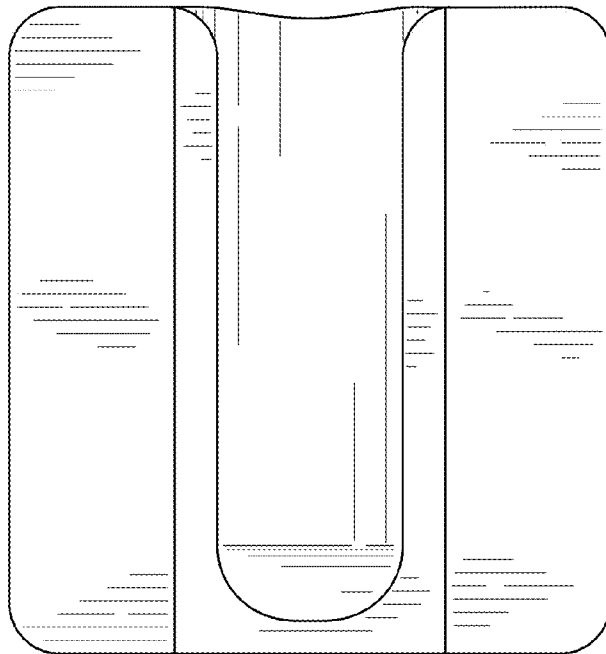


FIG. 21

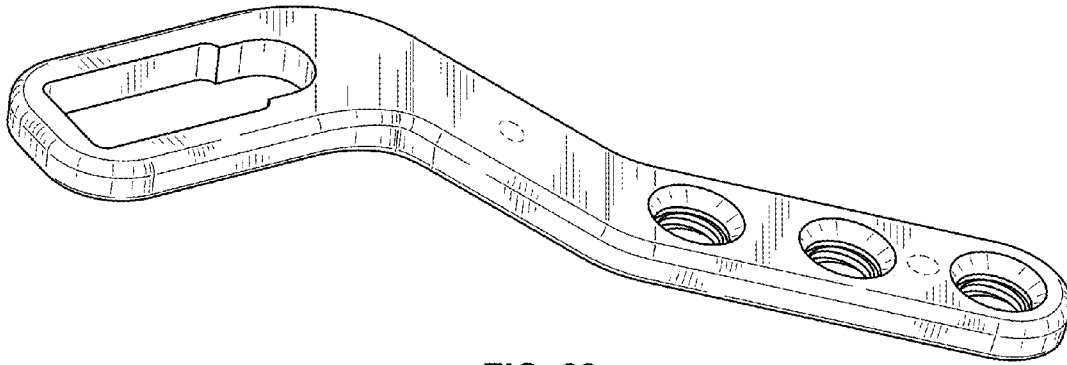


FIG. 22

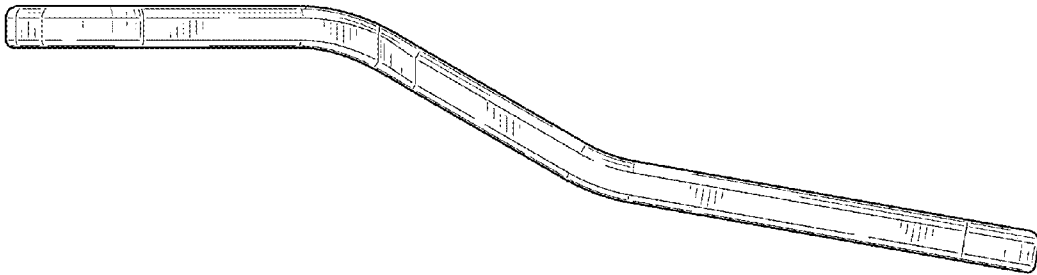


FIG. 23

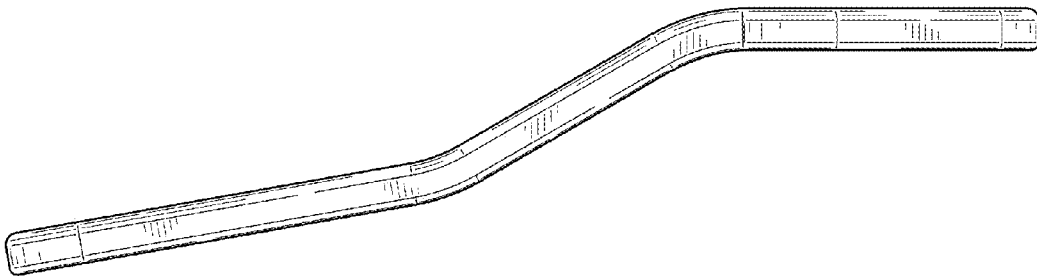


FIG. 24

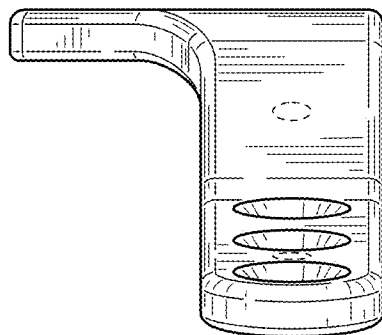


FIG. 25

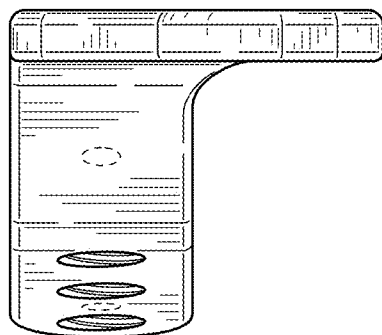


FIG. 26

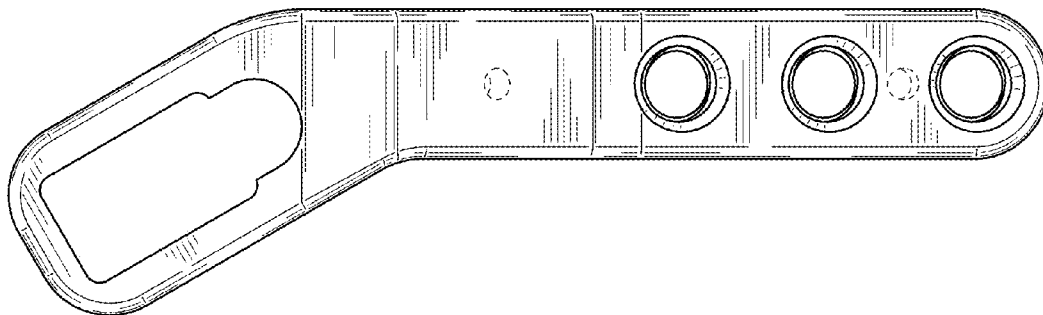


FIG. 27

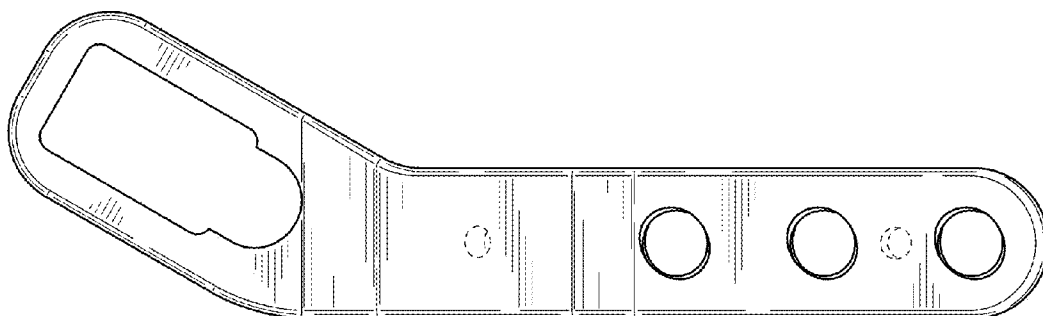


FIG. 28