



US00D773351S

(12) **United States Design Patent** (10) **Patent No.:** **US D773,351 S**
Munakata et al. (45) **Date of Patent:** **** Dec. 6, 2016**

(54) **REAR BUMPER FOR AUTOMOBILE**

OTHER PUBLICATIONS

(71) Applicant: **Nissan Motor Co., Ltd.**, Yokohama, Kanagawa (JP)

Nissan, 2016 Infiniti QX30, Apr. 18, 2015, nissan-infiniti.com [online], [site visited Jul. 29, 2016]. Available from Internet: <www.nissan-infiniti.com/2016-infiniti-qx30/>.*

(72) Inventors: **Kenichi Munakata**, Tokyo (JP);
Naoyuki Ohkoshi, Kanagawa (JP);
Takashi Utsunomiya, Kanagawa (JP)

(Continued)

(73) Assignee: **Nissan Motor Co., Ltd.**, Yokohama (JP)

Primary Examiner — Karen Kearney

Assistant Examiner — Katherine Holbrow

(74) *Attorney, Agent, or Firm* — Global IP Counselors, LLP

(**) Term: **15 Years**

(57) **CLAIM**

(21) Appl. No.: **29/534,353**

The ornamental design for a rear bumper for an automobile, as shown and described.

(22) Filed: **Jul. 28, 2015**

(30) **Foreign Application Priority Data**

DESCRIPTION

Jan. 30, 2015 (JP) 2015-001751

(51) **LOC (10) Cl.** **12-16**

(52) **U.S. Cl.**

USPC **D12/169**; D12/82

(58) **Field of Classification Search**

USPC D12/163, 164, 169, 171

(Continued)

(56) **References Cited**

FIG. 1 is a front elevational view of a rear bumper for an automobile in accordance with our new design; FIG. 2 is a top plan view of the rear bumper in accordance with our new design of FIG. 1; FIG. 3 is a bottom plan view of the rear bumper in accordance with our new design of FIGS. 1 to 2; FIG. 4 is a right side elevational view of the rear bumper in accordance with our new design of FIGS. 1 to 3; FIG. 5 is a left side elevational view of the rear bumper in accordance with our new design of FIGS. 1 to 4; FIG. 6 is a front, right and top side perspective view of the rear bumper in accordance with our new design of FIGS. 1 to 5; and, FIG. 7 is a front, left and bottom side perspective view of the rear bumper in accordance with our new design of FIGS. 1 to 6.

U.S. PATENT DOCUMENTS

D522,937 S * 6/2006 Tada D12/169

D540,223 S * 4/2007 Sumigama D12/169

(Continued)

FOREIGN PATENT DOCUMENTS

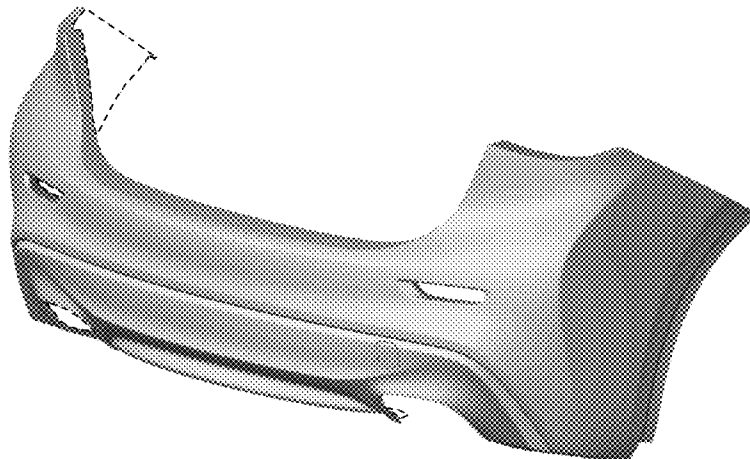
JP D1426519 S 11/2011

JP D1434617 S 2/2012

(Continued)

The broken lines showing the inside surface of the rear bumper are included for the purpose of illustrating portions of the article and form no part of the claimed design.

1 Claim, 7 Drawing Sheets



(58) **Field of Classification Search**
 CPC .. B60R 19/02; B60R 2019/1886; B60R 19/44;
 B60R 19/48; B60R 19/52; B60R 19/56
 See application file for complete search history.

(56) **References Cited**

U.S. PATENT DOCUMENTS

D558,094	S	*	12/2007	Pfeiffer	D12/91
D584,202	S	*	1/2009	Sonoda	D12/169
D637,535	S	*	5/2011	Yukawa	D12/169
D675,140	S	*	1/2013	Ohkoshi	D12/169
D679,636	S	*	4/2013	Schmeckpeper	D12/169
D683,282	S	*	5/2013	Fuchigami	D12/169
D683,283	S		5/2013	Choi		
D683,285	S	*	5/2013	Yoshida	D12/169
D698,712	S		2/2014	Sato et al.		
D699,167	S	*	2/2014	Sato	D12/169
D701,806	S	*	4/2014	Hildebrand	D12/169
D713,766	S	*	9/2014	Katou	D12/169
D718,678	S	*	12/2014	Ishizuka	D12/169
D721,625	S	*	1/2015	George	D12/169
D724,504	S	*	3/2015	Hall	D12/169
D735,624	S	*	8/2015	Sperling	D12/169
D746,188	S	*	12/2015	Nakagawa	D12/169
D760,129	S	*	6/2016	Whang	D12/169
2014/0292006	A1	*	10/2014	Francis	B60R 19/18 293/107

FOREIGN PATENT DOCUMENTS

JP	D1435327	S	6/2012
JP	D1444775	S	6/2012

JP	D1457892	S	12/2012
JP	D1458082	S	12/2012
JP	D1431647	S	1/2013
JP	D1465081	S	3/2013
JP	D1479634	S	9/2013
JP	D1486325	S	12/2013
JP	D1489383	S	2/2014
JP	D1472543	S	6/2014
JP	D1498811	S	6/2014
JP	D1499545	S	6/2014
JP	D1446730	S	7/2014
JP	D1504008	S	8/2014
JP	D1511275	S	11/2014
JP	D1513119	S	12/2014
JP	D1489460	S	2/2015
JP	D1519898	S	3/2015

OTHER PUBLICATIONS

Swan, Tony, 2017 Infiniti Q30 Debuts, Sep. 2015, caranddriver.com [online], [site visited Jul. 26, 2016]. Available from Internet: <<http://www.caranddriver.com/photo-gallery/2017-infiniti-q30-official-photos-and-info#32>>.*

Voelcker, John, 2017 Infiniti Q30 Video, Jul. 21, 2015, Greencar-reports.com [online], [site visited Jul. 29, 2016]. Available from Internet: <http://www.greencarreports.com/news/1098793_2017-infiniti-q30-video-lust-and-logic-of-compact-hatchback-for-frankfurt-show#image=100439548>.*

* cited by examiner

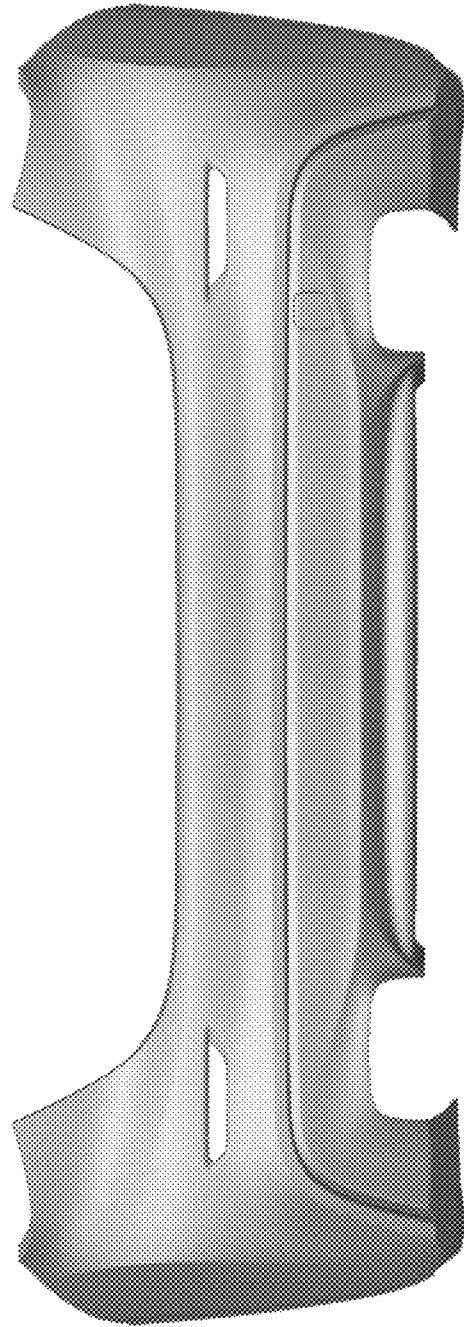


FIG. 1

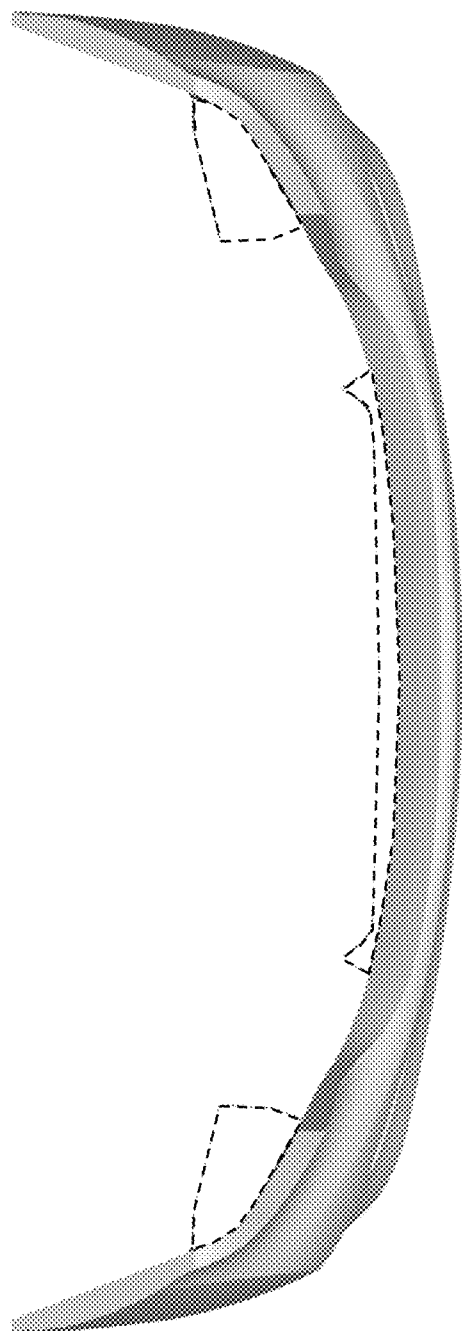


FIG. 2

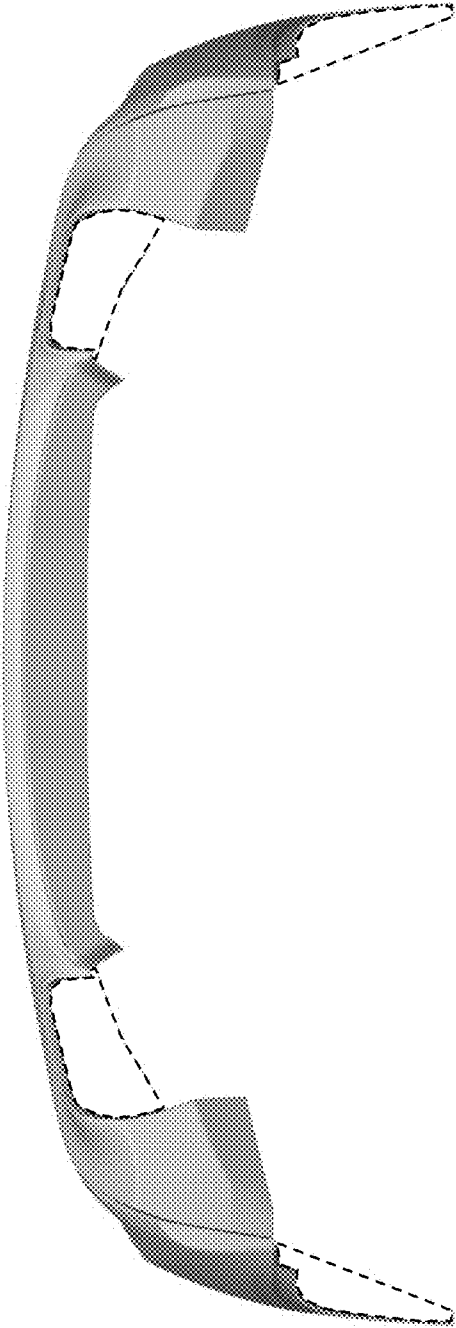


FIG. 3

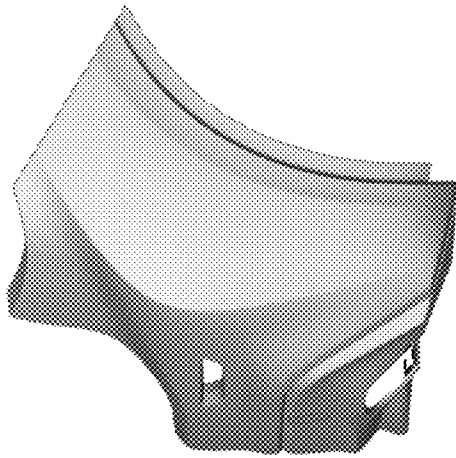


FIG. 4

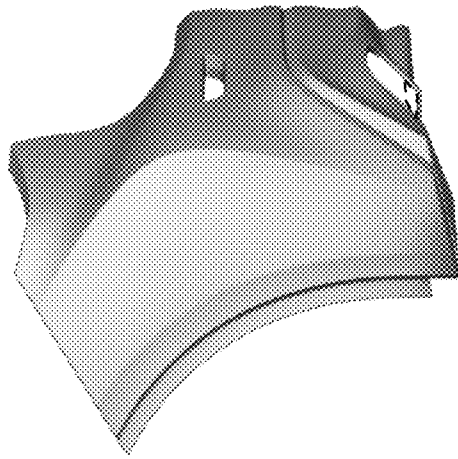


FIG. 5

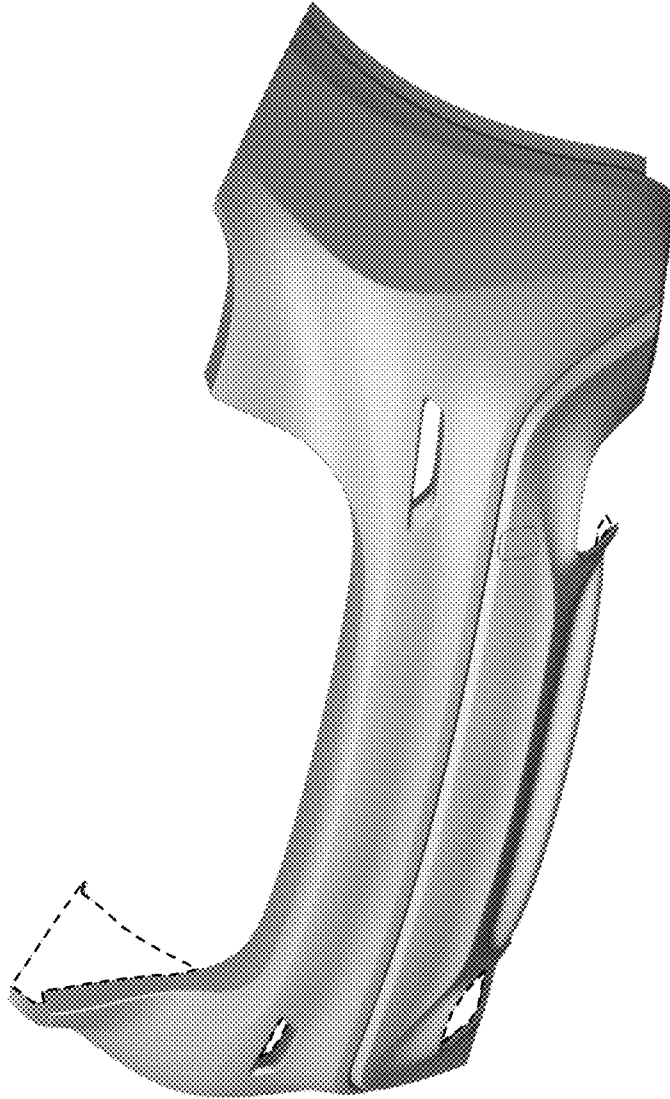


FIG. 6

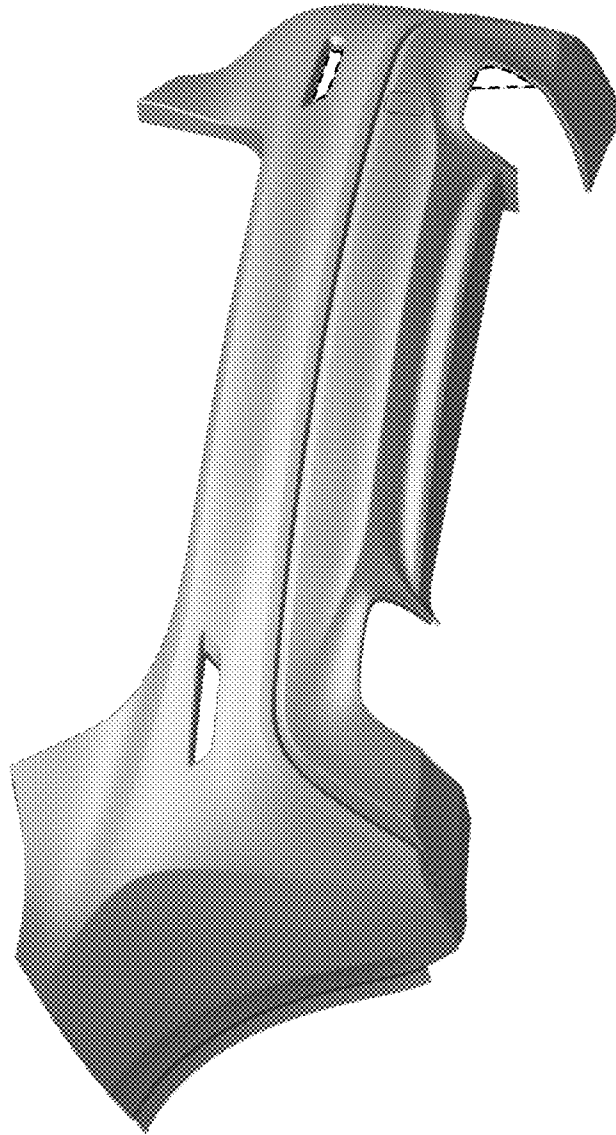


FIG. 7