



US00D823103S

(12) **United States Design Patent**  
**Glasscock**

(10) **Patent No.:** **US D823,103 S**

(45) **Date of Patent:** **\*\* Jul. 17, 2018**

(54) **QUILT CLIP**

(71) Applicant: **J D Glasscock**, Columbus, TX (US)

(72) Inventor: **J D Glasscock**, Columbus, TX (US)

(73) Assignee: **J. D. Glasscock**, Columbus, TX (US)

(\*\*) Term: **15 Years**

(21) Appl. No.: **29/548,522**

(22) Filed: **Dec. 15, 2015**

(51) **LOC (11) Cl.** ..... **08-08**

(52) **U.S. Cl.**  
USPC ..... **D8/395**

(58) **Field of Classification Search**  
USPC ..... D8/394-396, 72; D19/56, 51;  
D32/60-64; D28/40; D18/14, 15, 19  
CPC . D06F 55/00; A41B 3/08; A41F 15/02; F16B  
19/1081; G09F 3/14; B42F 1/006; B42F  
1/08; B42F 9/001; A47F 7/02  
See application file for complete search history.

(56) **References Cited**

**U.S. PATENT DOCUMENTS**

D315,992 S *	4/1991	Tremblay	.....	D32/64
D394,669 S *	5/1998	Becker	.....	224/908
D408,097 S *	4/1999	Heydt	.....	D27/183
5,941,487 A *	8/1999	Keely	.....	B60R 7/082
				248/231.51
6,073,897 A *	6/2000	Warren	.....	F16M 11/105
				248/278.1

D555,916 S *	11/2007	Mangano	.....	D6/328
D561,573 S *	2/2008	Hyde	.....	D8/395
D598,278 S *	8/2009	Herman	.....	D8/395
D621,627 S *	8/2010	Mangano	.....	D6/328
D642,312 S *	7/2011	Rothman	.....	D26/60
D719,807 S *	12/2014	Robinson	.....	D8/72
D724,937 S *	3/2015	Zilisch	.....	D8/395
D725,462 S *	3/2015	Zilisch	.....	D8/395
D742,354 S *	11/2015	McNamara	.....	D14/205
D785,445 S *	5/2017	Hong	.....	D8/395

\* cited by examiner

*Primary Examiner* — John Windmuller

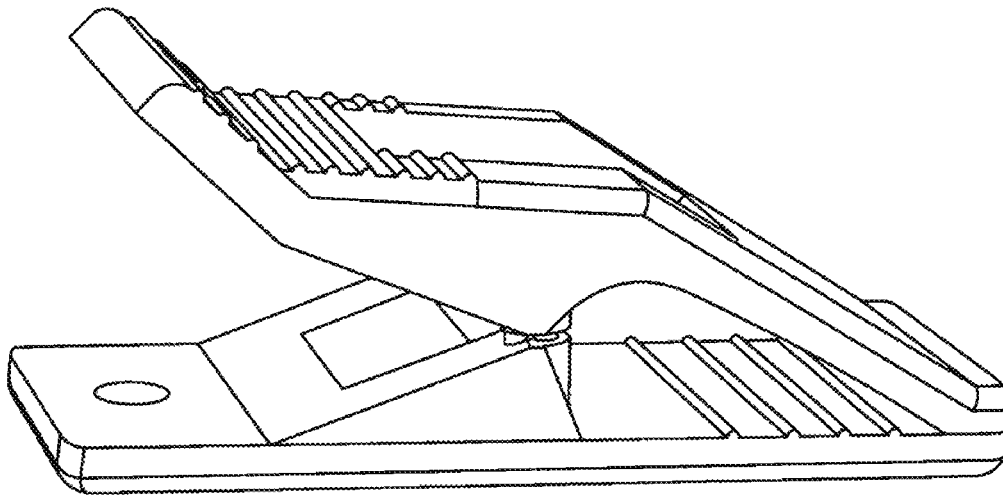
(57) **CLAIM**

The ornamental design for the quilt clip, as shown and described.

**DESCRIPTION**

FIG. 1 is a top view of the clip of the invention.  
 FIG. 2 is a bottom view of the clip of FIG. 1.  
 FIG. 3 is a side view of the clip of FIG. 1.  
 FIG. 4 is the opposing side view of the clip of FIG. 1.  
 FIG. 5 is a front end view of the clip of FIG. 1.  
 FIG. 6 is a back end view of the clip of FIG. 1.  
 FIG. 7 is a schematic of a top view of the clip shown in FIG. 1 without the bottom of the clip.  
 FIG. 8 is a schematic perspective view of the top of the clip of FIG. 7.  
 FIG. 9 is a schematic of the opposing side view of the clip shown in FIG. 4 without the bottom of the clip; and,  
 FIG. 10 is a schematic of a bottom view of the clip shown in FIG. 2 without the top of the clip.

**1 Claim, 10 Drawing Sheets**



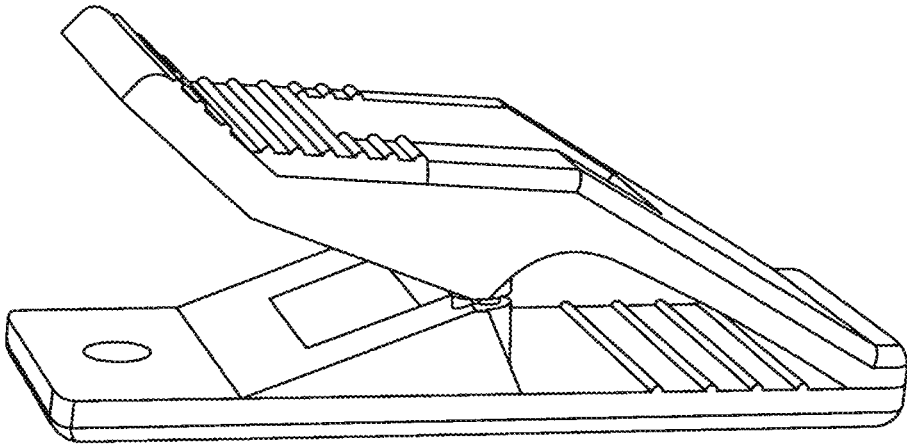


FIG.1

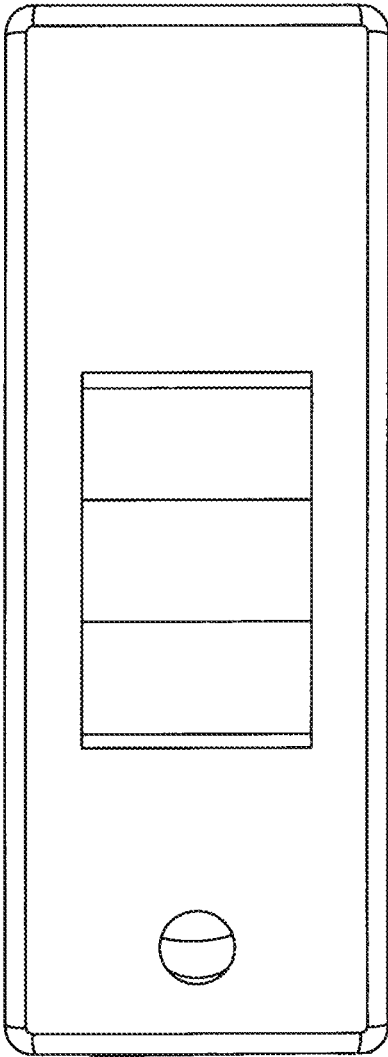


FIG.2

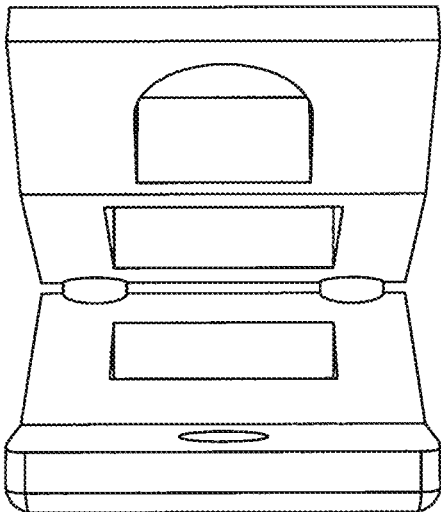


FIG.3

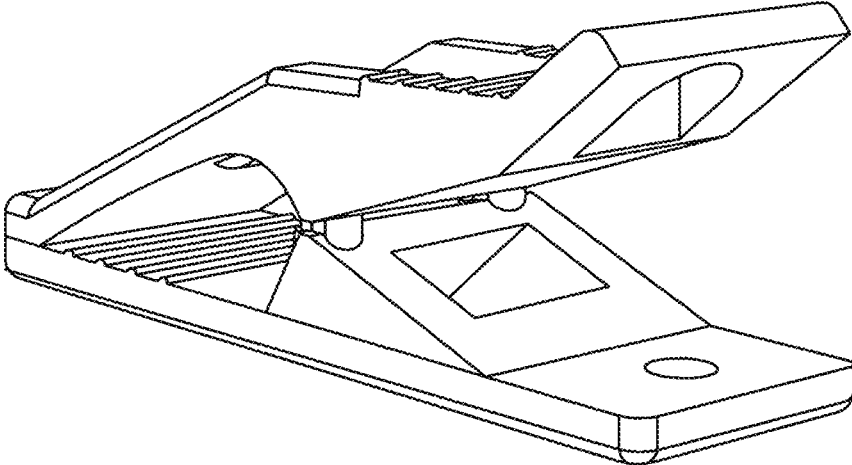


FIG.4

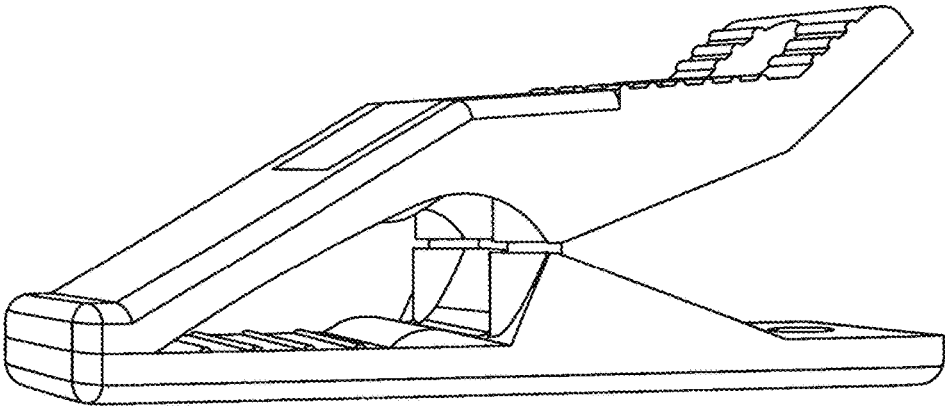


FIG.5

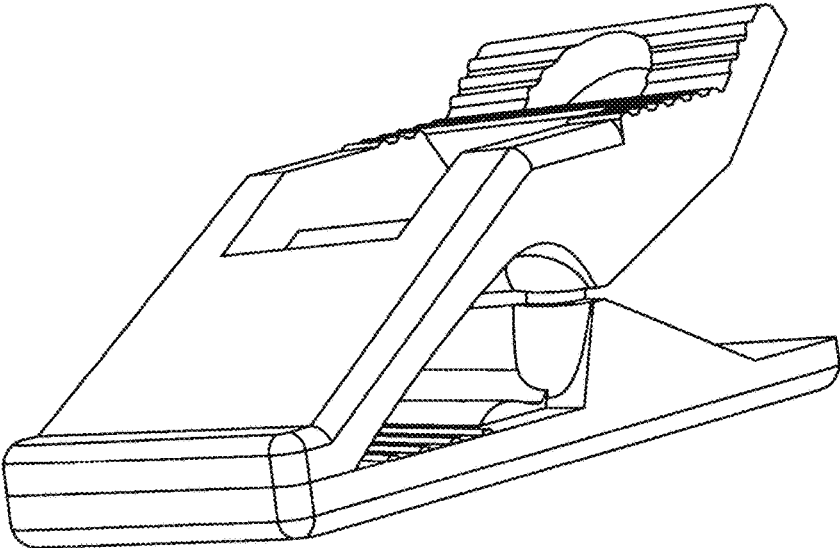


FIG.6

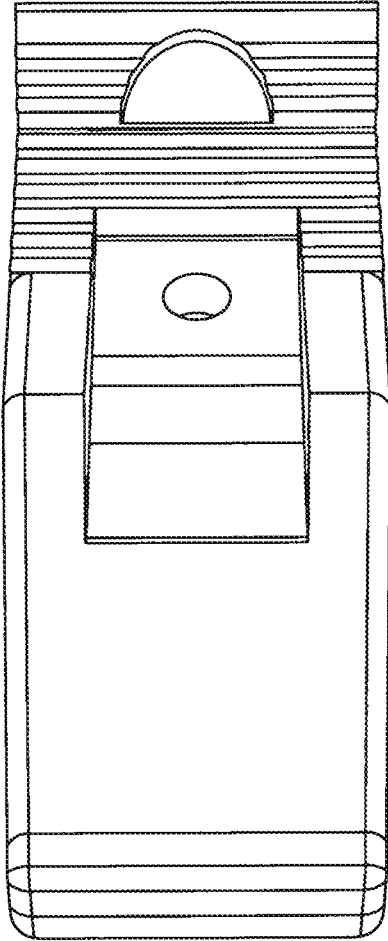


FIG.7



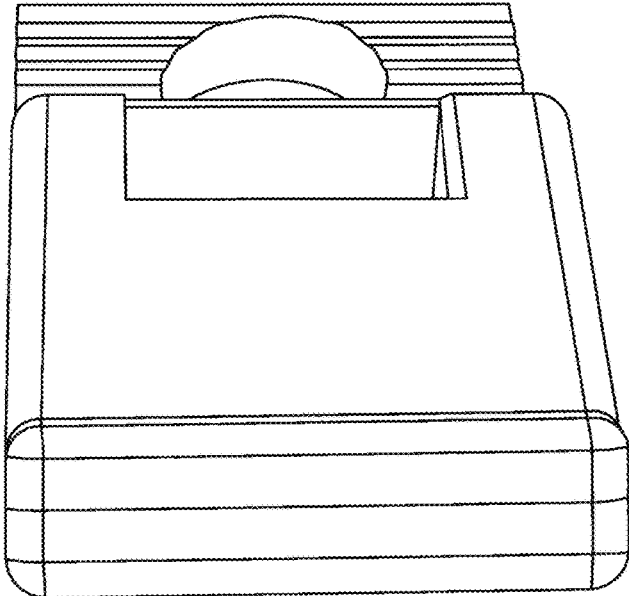


FIG.8

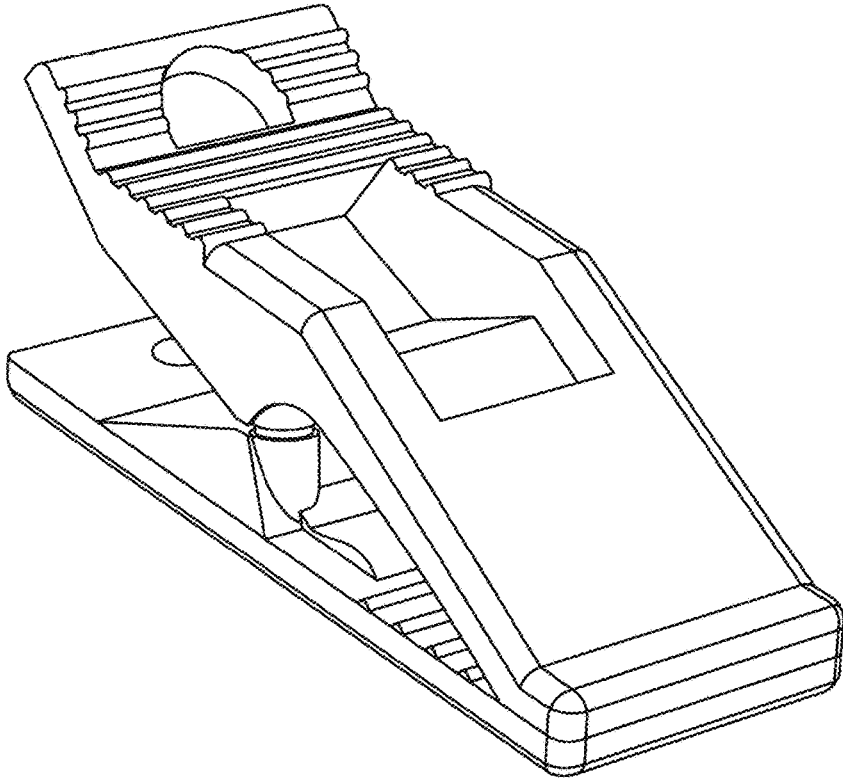


FIG.9

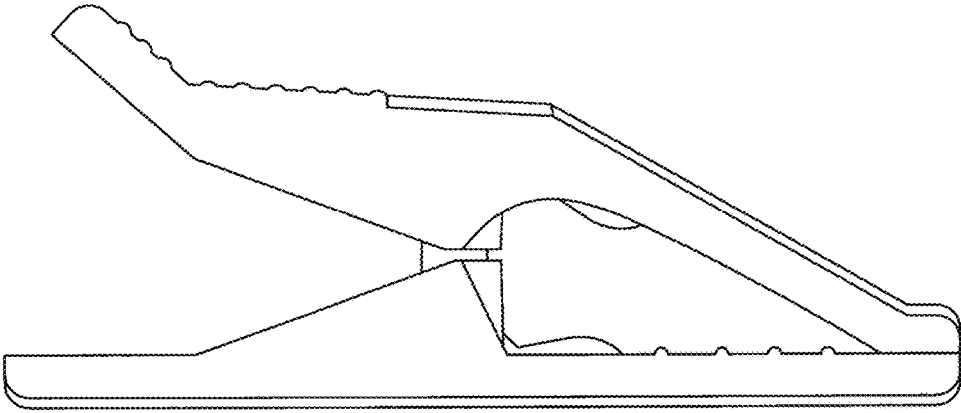


FIG.10